



*Limit Monitor*

**Description**

The limit value transmitters of Types 07-31...-.../... are deployed in conjunction with pneumatic actuators on valves and fittings.

They serve to signal the "open/closed" status of a fitting. This end position is communicated via two (max. six) pressure-proof enclosed limit switches with the appropriate connection and mounting elements, or by intrinsically safe initiators according to NAMUR.

To ensure mechanical adaptability to the pneumatic actuators, we supply 4 consoles according to VDI/VDE 3845.

The BARTEC limit monitors can be used in hazardous (potentially explosive) areas in Zone 1 and 2 in accordance with the certified explosion sub-groups IIA, IIB and IIC and the temperature classes T5/T6 and in Zone 21 and 22 in accordance with the certified max. surface temperature.

**Selection chart for standard polyester limit value transmitters**

	<b>Polyester enclosure black (220 x 120 x 90 mm) for Zone 1 + 2 and 21 + 22</b>	<b>Console (dimensions in mm)</b>			<b>Order no.</b>
		<b>A</b>	<b>B</b>	<b>H</b>	
<b>Ex ed</b> Picture 1	Console VDI/VDE 3845	130	50	75	<b>07-31B1-2209/9004</b> <b>07-31B1-2209/9003</b> <b>07-31B1-2209/9002</b> <b>07-31B1-2209/9001</b> <b>07-31B1-2209/9007</b>
	Console VDI/VDE 3845	130	30	55	
	Console VDI/VDE 3845	80	30	55	
	Console VDI/VDE 3845	80	20	45	
	Console with connection dimensions ISO 5211 F05	without console			
	<b>Polyester enclosure black (110 x 75 x 55 mm)</b>	<b>for Zone 1 + 2 and 21 + 22</b>			
<b>Ex ed</b> Picture 2	Console VDI/VDE 3845	130	50	75	<b>07-31B1-1105/9005</b> <b>07-31B1-1105/9004</b> <b>07-31B1-1105/9003</b> <b>07-31B1-1105/9002</b> <b>07-31B1-1105/9001</b>
	Console VDI/VDE 3845	130	30	55	
	Console VDI/VDE 3845	80	30	55	
	Console VDI/VDE 3845	80	20	45	
	Console with connection dimensions ISO 5211 F05	without console			
	<b>Polyester enclosure black (110 x 75 x 55 mm)</b>	<b>for Zone 1 + 2 and 21 + 22</b>			
<b>Ex i</b> Picture 3	Console VDI/VDE 3845	130	50	75	<b>07-31B2-1105/9005</b> <b>07-31B2-1105/9004</b> <b>07-31B2-1105/9003</b> <b>07-31B2-1105/9002</b> <b>07-31B2-1105/9001</b>
	Console VDI/VDE 3845	130	30	55	
	Console VDI/VDE 3845	80	30	55	
	Console VDI/VDE 3845	80	20	45	
	Console with connection dimensions ISO 5211 F05	without console			



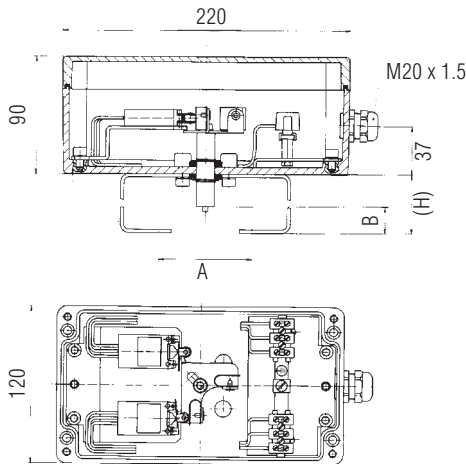
Explosion protection

Ex protection type (max.) dependent on the installed parts
II 2G Ex d e IIC T6 or T5
II 2D Ex td A21 IP 6X T80 °C, 90 °C, 95 °C
Certification IBExU02ATEX1126

Technical data

Protection class Enclosure IP 65 according to EN 60529 and IEC 60529
Material Type 07-31A cast aluminium
Type 07-31B polyester black
Type 07-31D high quality stainless steel
Mounting console and connection dimensions according to DIN EN ISO 5211 (DIN 3337) resp. VDI/VDE 3845
Connection Ex glands M20 x 1.5 resp. M16 x 1.5

Picture 1



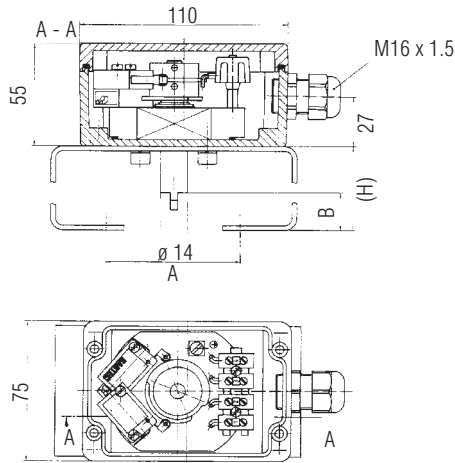
Polyester enclosure 220 x 120 x 90 mm

Built-in 2 microswitches
Ex protection type Ex d IIC
Switching function changeover contact

Cable connection via Ex e modular terminals. An Ex e cable gland is provided for the cable connection M20 x 1.5 (6 to 12).

The version with enclosure dimensions 220 x 120 x 90 mm optionally provides additional terminals for the connection of a magnetic valve.

Picture 2

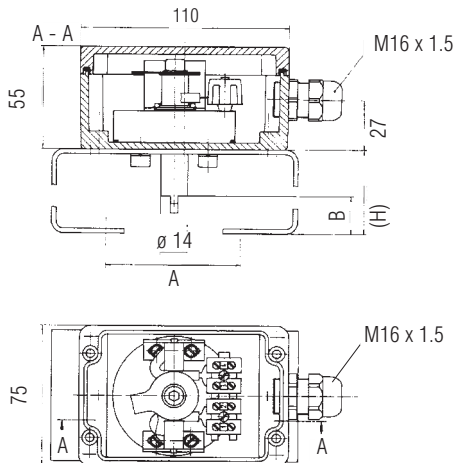


Polyester enclosure 110 x 75 x 55 mm

Built-in 2 micro-switches
Ex protection type Ex d IIC
Switching function NO contact

The cable is connected to Ex e-rail-mounted terminals. An EEx e-cable gland is provided to insert the cable M16 x 1.5 (5 to 10).

Picture 3



Polyester enclosure 110 x 75 x 55 mm

Built-in 2 slit initiators non-contact, inductive according to DIN 19234 NAMUR

The cable is connected to Ex i-rail-mounted terminals. An Ex i-cable gland is provided to insert the cable M16 x 1.5 (5 to 10).