

PowerXL DC1



PowerXL DG1



Enclosed 18-Pulse Drive



2.1	Product Overview	V6-T2-2
OEM Drives		
2.2	PowerXL DE1 Series	V6-T2-9
2.3	PowerXL DC1 Series Drives	V6-T2-15
2.4	PowerXL DA1 Series Drives	V6-T2-25
2.5	M-Max Series Drives	V6-T2-36
General Purpose Industrial Drives		
2.6	PowerXL DG1 Series Drives	
	DG1 Drives	V6-T2-48
	DG1 Enclosed Drives	V6-T2-74
2.7	SVX Drives	
	SVX Drives	V6-T2-102
	SVX Enclosed Drives	V6-T2-140
General Purpose HVAC Drives		
2.8	PowerXL DH1 Series Drives	
	PowerXL DH1 Series Drives	V6-T2-175
	PowerXL DH1 Series Enclosed Drives	V6-T2-195
2.9	H-Max Series Drives	
	H-Max Drives	V6-T2-223
	H-Max IntelliPass and IntelliDisconnect Drives	V6-T2-235
Performance Drives		
2.10	SPX Drives	V6-T2-257
2.11	Clean Power Drives	
	Product Overview	V6-T2-298
	Enclosed Passive Filtered Drives	
	EGF Drives	V6-T2-305
	CFX Drives	V6-T2-325
	HCX Enclosed 12-Pulse Drives	V6-T2-351
	CPX Enclosed 18-Pulse Drives	V6-T2-355
	RGX Enclosed Regenerative Drives	V6-T2-379
2.12	LCX Liquid Cooled Drives	V6-T2-392
2.13	SPA/SPN/SPI Common DC Bus Drives	V6-T2-408

Volume 6—Solid-State Motor Control, CA08100007E

Tab 2—Adjustable Frequency Drives

Revision date	Section	Change page(s)	Description
10/21/2019	2.8	V6-T2-186, V6-T2-187	Update tables
10/21/2019	2.8	V6-T2-188	Additional table page
10/21/2019	2.8	V6-T2-189, V6-T2-190	Consolidate tech data pages



Powering Business Worldwide

2.1

Adjustable Frequency Drives

Product Overview

2

A Drive For Any Application

Your application might call for an ultra-compact solution, clean power or future configurability.

Whether it is a standard product from the catalog or a custom-enclosed variable frequency drive (VFD) solution, Eaton delivers.

Eaton drives are designed for industrial, HVAC, water/wastewater treatment, machinery OEM and other application demands.

Whether designing a new industrial complex, renovating an existing structure or developing a new machine, Eaton has the right product for your application.

PowerXL® Family



Application	DE1	DC1	DA1	DH1	DG1	EGF (Filtered)
Single-phase input	Yes	Yes	Yes	Yes	Yes	—
Maximum 230 V hp	3	15	7.5	125	125	125
Maximum 480 V hp	10	30	15	250	1000	250
Maximum 575 V hp	—	—	20	250	800	250
OEM drives	●	●	●	●■	●	
General purpose HVAC drives				●■		
General purpose industrial					●■	
Performance			●			
Low harmonic						■

9000X Family












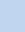

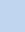
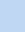
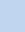
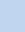
Application	M-Max	H-Max	SVX	SPX	LCX	SPI	CFX (Filtered)	HCX (12-Pulse)	CPX (18-Pulse)	RGX (AFE)
Single-phase input	Yes	—	Yes	Yes	—	—	—	—	—	—
Maximum 230 V hp	15	125	125	125	—	—	100	60	200	—
Maximum 480 V hp	25	250	250	2200	3200	2400	400	125	800	900
Maximum 575 V hp	7.5	200	200	2300	2800	2200	400	—	800	750
OEM drives	●									
General purpose HVAC drives		●■						■		
General purpose industrial			●■	●■						
Performance				●■	●▲	●▲		■	■	■
Low harmonic							■	■	■	■

- = Open drive standard
- = Enclosed drive standard
- ▲ = Enclosed—consult Enclosed Drives Plant (Watertown, WI)

A History of Drives

Throughout the years, Eaton's drive offering has evolved as technology has changed. Some drives are no longer available, but are listed below for reference and aid in finding the drive in our current offering that fits your application. If needed, please contact the Drives Technical Resource Center (1-877-ETN-CARE, option 2, option 6) for assistance in finding the current drive to suit your needs.

Legacy Product Offering

								
Application	HVX	SLX	NFX	GVX	MVX	SV	HV	CP (18-Pulse)
Single-phase input	Yes	—	Yes	Yes	Yes	Yes	Yes	—
Maximum 230 V hp	75	40	2	50	7.5	100	150	—
Maximum 480 V hp	150	100	—	125	10	1100	1000	800
Maximum 575 V hp	—	100	—	125	10	800	700	—
OEM drives								
General purpose HVAC drives								
General purpose industrial								
Performance								
Low harmonic								
Current product offering	H-Max	DG1	DE1	DC1 / DG1	DC1 / DA1	DG1	H-Max	CPX

 = Open drive standard

 = Legacy product; no longer available

Product Selection Guide

2

OEM Drives

PowerXL DE1 Series



Page V6-T2-9

Applications

Machinery OEM variable speed starter

Description

The DE1 VSS is a variable speed starter that brings the simplicity of a electromechanical starter with the additional functionality of a variable frequency drive. The DE1 offers simple installation in a compact, keypad-less design. With the use of the intuitive plug-in configuration module or the integration of SmartWire-DT®, the DE1 is the simplest solution for variable speed. The VSS is great for HVAC, material handling and general MOEM applications.

Offering/Range

Single-phase to three-phase
230 V to 3 hp
Three-phase to three-phase
230 V to 3 hp
Three-phase to three-phase
480 V to 10 hp

Enclosure

Open IP20

PowerXL DC1 Series



Page V6-T2-15

Applications

General-purpose microdrive
Machinery OEM drive

Description

The DC1 VFD is a compact VFD with only 14 basic parameters, SmartWire-DT® and EtherNet/IP connectivity and outstanding ease of mounting and installation. The DC1 is perfect for quick commissioning and is ideal for panel builders. The newest version adds support for sensorless vector control and permanent magnet motor compatibility. This drive supports single-phase motor applications, and an IP66 offering provides unique mounting with integrated disconnect and cover controls.

Offering/Range

Single-phase to single-phase
115 V to 0.75 hp
230 V to 1.5 hp
Single-phase to three-phase
115 V to 1.5 hp
230 V to 5 hp
Three-phase to three-phase
230 V to 15 hp
480 V to 30 hp

Enclosure

Open IP20, IP66

PowerXL DA1 Series



Page V6-T2-25

Applications

High-performance microdrive
Machinery OEM drive

Description

The DA1 VFD is the perfect match for demanding OEM applications. High-performance processor, safe torque off, multiple fieldbus protocols including SmartWire-DT, sensorless vector control and the possibility to operate permanent magnet motors are sure to leave a lasting impression. The DA1 includes an IP66 offering as well.

Offering/Range

Single-phase to three-phase
230 V to 3 hp
Three-phase to three-phase
230 V to 7.5 hp
480 V to 15 hp
600 V to 20 hp

Enclosure

Open IP20, IP66

M-Max Series



Page V6-T2-36

Applications

General-purpose microdrive

Description

The M-Max™ VFD is a compact microdrive with a broad power range, perfectly suited for machinery applications in many industries: food and beverage, HVAC, packaging, pumping, general machine and more.

Offering/Range

Single-phase to three-phase
115 V to 1.5 hp
230 V to 3 hp
Three-phase to three-phase
230 V to 15 hp
480 V to 25 hp
575 V to 7.5 hp

Enclosure

Open IP20, IP21
Open NEMA 1

Product Selection Guide

General Purpose Industrial Drives

PowerXL DG1 Series



Page V6-T2-48

Applications

General-purpose drive

Description

The DG1 general-purpose drives are part of the Eaton next-generation PowerXL series of adjustable frequency drives specifically engineered for today's more demanding commercial and industrial applications. With an industry-leading energy-efficiency algorithm, high short-circuit current rating and robust design, the DG1 offers customers increased efficiency, safety and reliability.

Offering/Range

Single-phase to three-phase
230 V to 40 hp
480 V to 60 hp
Three-phase to three-phase
230 V to 125 hp
480 V to 1000 hp
575 V to 800 hp

Enclosure

Open IP00, IP20, IP21, IP54
Open NEMA 1, 12
Enclosed NEMA 1, 12, 3R
Consult Eaton for NEMA 4X

SVX



Page V6-T2-102

Applications

General-purpose drive

Description

The SVX VFD is a general-purpose, compact, modular solution for variable speed applications and offers a variety of features and application capabilities. With a reliable design, quick startup and flexibility with options, the SVX provides a great solution for customer's commercial and industrial applications.

Offering/Range

Single-phase to three-phase
230 V to 40 hp
480 V to 60 hp
Three-phase to three-phase
230 V to 125 hp
480 V to 2200 hp
575 V to 2300 hp

Enclosure

Open IP20, IP21, IP54
Open NEMA 1, 12
Enclosed NEMA 1, 12, 3R
AGSVX (agriculture config)
Consult Eaton for NEMA 4X

General Purpose HVAC Drives

PowerXL DH1 Series



Page V6-T2-175

Applications

General-purpose HVAC drive

Description

The DH1 HVAC/R drives are part of the Eaton next generation PowerXL series of variable frequency drives specifically engineered to exceed the demands of the HVAC/R market. With an industry-leading energy efficiency algorithm, high short-circuit current rating and robust design, the DH1 offers customers increased efficiency, safety and reliability.

Offering/Range

Single-phase to three-phase
230 V to 40 hp
480 V to 60 hp
Three-phase to three-phase
230 V to 125 hp
480 V to 250 hp
575 V to 250 hp

Enclosure

Open IP21, IP54
Open NEMA 1, 12

Enclosed PowerXL DH1 Series



Page V6-T2-195

Applications

General-purpose HVAC drive

Description

The enclosed DH1 HVAC/R drives are part of the Eaton next generation PowerXL series of variable frequency drives specifically engineered to exceed the demands of the HVAC/R market. The enclosed DH1 construction features allow for easy installation, reliable operation and serviceability with additional onboard wire space and removable conduit plates with knockouts.

Offering/Range

Three-phase to three-phase
208 V to 100 hp
230 V to 125 hp
480 V to 250 hp
575 V to 250 hp

Enclosure

Enclosed NEMA 1, 12, 3R
EHC—Compact Disconnect
EHD—Disconnect
EHB—Bypass

Product Selection Guide

2

Performance Drives

SPX



Page V6-T2-257

Applications

High-performance drive

Description

The SPX VFD is a compact, modular solution for high-performance variable speed applications. When high performance is critical to a customer's application, the SPX VFD is the ideal choice. They are equipped with high processing power, capable of closed loop feedback, safe torque off, permanent magnet motor operation and very precise motor control.

Offering/Range

Single-phase to three-phase
230 V to 40 hp
480 V to 60 hp
Three-phase to three-phase
230 V to 125 hp
480 V to 2200 hp
575 V to 2300 hp

Enclosure

Open IP20, IP21, IP54
Open NEMA 1, 12
Enclosed NEMA 1, 12, 3R
AGSVX (agriculture config)
Consult Eaton for NEMA 4X

Low Harmonic Drives Passive Filtered—EGF



Page V6-T2-305

Applications

Filtered drive

Description

Eaton's enclosed passive filtered drives use tuned passive filters to significantly reduce line harmonics at the drive input terminals.

Offering/Range

208 V: 0.75–100 hp
230 V: 0.75–125 hp
480 V: 1–250 hp

Enclosure

Enclosed NEMA 1, 12, 3R
Consult Eaton for NEMA 4X

Passive Filtered—CFX



Page V6-T2-325

Applications

Filtered drive

Description

The CFX VFD uses a tuned passive filter to significantly reduce the line harmonics generated by a standard 6-pulse drive. Designed for small to mid-sized drive applications, the CFX, in conjunction with the CPX, offers the user a tiered approach to harmonic mitigation.

Offering/Range

Three-phase to three-phase
230 V to 100 hp
480 V to 400 hp
575 V to 400 hp

Enclosure

Enclosed NEMA 1, 12, 3R
Consult Eaton for NEMA 4X

Product Selection Guide

Performance Drives

Low Harmonic Drives

12-Pulse—HCX



Page V6-T2-351

Applications

12-pulse drive

Description

The enclosed HCX drive is specifically tailored for HVAC applications where clean power is necessary. The enclosed HCX drive uses Eaton's SVX drive with a 12-pulse phase shifting transformer to deliver a substantial reduction in voltage and current harmonics.

Offering/Range

208 V: 7.5 to 60 hp
230 V: 7.5 to 60 hp
480 V: 25 to 125 hp

Enclosure

Enclosed NEMA 1, 12

18-Pulse—CPX



Page V6-T2-355

Applications

18-pulse drive

Description

The CPX VFD uses advanced 18-pulse clean power technology that significantly reduces line harmonics at the drive input terminals and is designed to exceed IEEE 519-1992 requirements. Delivering true power factor and reducing harmonic distortion prevents upstream transformer overheating and overloading of breakers and feeders, enabling the application of variable frequency drives on generators and other high-impedance power systems.

Offering/Range

Three-phase to three-phase
230 V to 200 hp
480 V to 800 hp
575 V to 800 hp
(Consult Eaton for larger hp)

Enclosure

Enclosed NEMA 1, 12, 3R
Consult Eaton for NEMA 4X

Regenerative—RGX



Page V6-T2-379

Applications

Regenerative drive

Description

The RGX is an enclosed solution to meet the needs of customer's regenerative load applications. It combines Eaton's comprehensive family of DC common DC bus drive products together with the necessary circuit protection and filtering to give the customer an all-in-one package. The RGX is available in 480 V and 575 V configurations in sizes up through 900 hp.

Offering/Range

Three-phase to three-phase
480 V: 900 hp
575 V: 750 hp

Enclosure

Enclosed NEMA 1

Product Selection Guide

2

Performance Drives

Low Harmonic Drives

LCX



Page V6-T2-392

Applications

Liquid cooled drive

Description

The LCX VFD is well suited for locations when air-cooling would be difficult or expensive or when space is at a premium. These extremely compact drives are suitable for ships, mines and heavy industry.

Offering/Range

Three-phase to three-phase
480 V to 3200 hp
575 V to 2800 hp

Enclosure

Open IP00

SPA/SPN/SPI



Page V6-T2-408

Applications

Common DC bus drive
Active front end drive
Regenerative drive

Description

Eaton offers a comprehensive range of common DC bus VFD products. This includes a number of front-end units and inverter units in the entire power range. Common DC bus drives are used in a multitude of applications and combinations. Drives that are braking can transfer the energy directly to the drives in a motoring mode.

Offering/Range

Three-phase to three-phase
480 V to 2400 hp
575 V to 2200 hp

Enclosure

Open IP00, IP21
Open NEMA 1

PowerXL DE1 Series



Product Description

Eaton's PowerXL® DE1 variable speed starter offers the advantages of both a motor starter and a variable frequency drive in a single device. The DE1 is a compact and easy-to-use device with the ability to change the speed of the motor with the simplicity of a contactor starter. With 14 basic parameters, SmartWire-DT® connectivity and an intuitive configuration module, the DE1 setup and commissioning is easy for any panel builder and MOEM. The DE1 was designed for customers who have concerns of the complexity of a VFD but still require variable frequency and advanced motor protection.

Models rated at 480 volts, three-phase, 50/60 Hz are available in sizes ranging from 0.5 to 10 hp. Models rated at 230 volts, single-phase in/three-phase out, 50/60 Hz are available in sizes ranging from 0.33 to 3 hp.

The DE1 VSS is designed without a keypad to provide a simplistic, cost effective solution. Units are shipped without a keypad. In order to change parameters, there are accessories such as the configuration module that can change up to 5 parameters or connectivity products to connect to the drivesConnect PC Tool.

Features

- Compact, space-saving design
- Rugged design rated up to 60 °C without derating
- DIN rail and screw mountable
- Narrow footprint for true side-by-side installation
- Rated for group motor applications
- Low capacitor design for low harmonics
- Control terminal blocks
 - Three digital inputs
 - One digital/analog (programmable) input
 - One relay output
- Contactor style power wiring
- RS-485/Modbus as standard
- Efficient, simple design without a keypad
 - Three indicating LEDs for fault and condition status
- Reliable design—
 - 150% for 60 s
 - 175% for 2 s
- SmartWire-DT and EtherNet/IP ready for expanding communication gateways

Contents

Description

PowerXL DE1 Series

	<i>Page</i>
Catalog Number Selection	V6-T2-10
Product Selection	V6-T2-10
Accessories	V6-T2-11
Technical Data and Specifications	V6-T2-12
Dimensions	V6-T2-14

Standards and Certifications

Product

- Complies with EN 61800-3

Safety

- IEC 61800-5-1
- CE
- UL
- CSA/cUL
- cTick
- UKRsekpro
- GOST R
- RoHS compliant



2.2

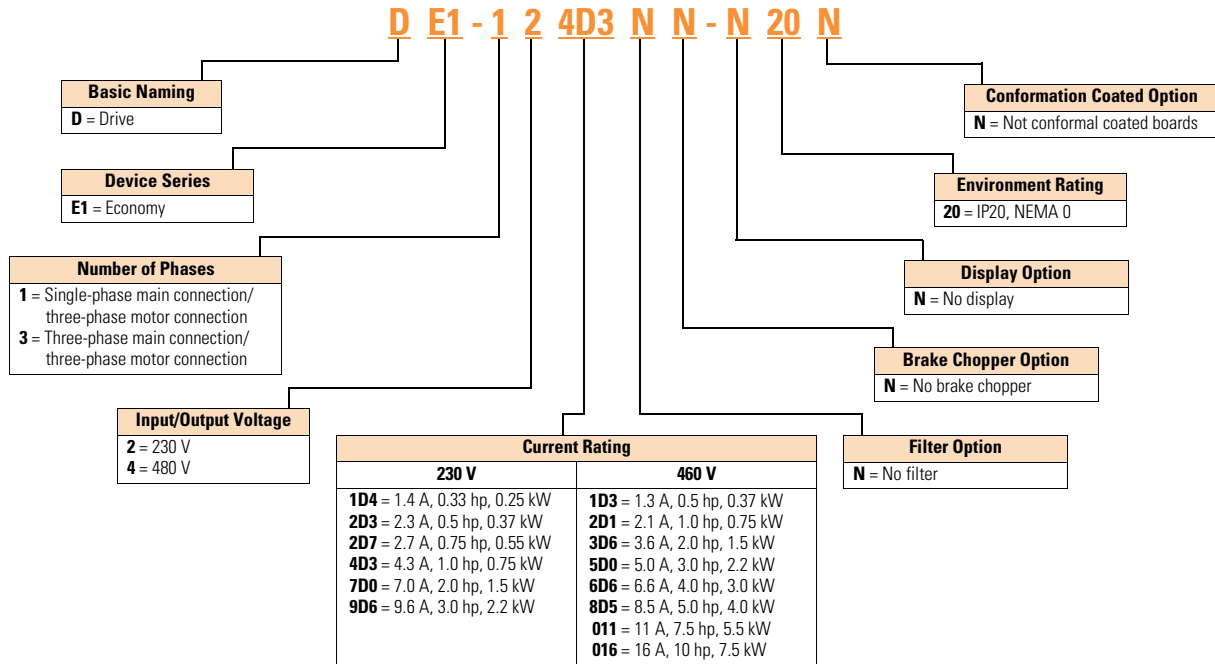
Adjustable Frequency Drives

PowerXL DE1 Series

Catalog Number Selection

2

DE1 Series Variable Speed Starter



Product Selection

IP20

DE1 Series IP20 Enclosure Drives



hp ^①	kW	Volts	100% Continuous Current In (A)	Frame Size	Catalog Number ^②
0.33	0.25	200–240 V single-phase in ^③ / 230 V three-phase out	1.4	1	DE1-121D4NN-N20N
0.5	0.37		2.3	1	DE1-122D3NN-N20N
0.75	0.55		2.7	1	DE1-122D7NN-N20N
1	0.75		4.3	1	DE1-124D3NN-N20N
2	1.5		7	1	DE1-127D0NN-N20N
3	2.2		9.6	2	DE1-129D6NN-N20N
0.5	0.37	380–480 V three-phase in/ 480 V three-phase out	1.3	1	DE1-341D3NN-N20N
1	0.75		2.1	1	DE1-342D1NN-N20N
2	1.5		3.6	1	DE1-343D6NN-N20N
3	2.2		5	2	DE1-345D0NN-N20N
4	3		6.6	2	DE1-346D6NN-N20N
5	4		8.5	2	DE1-348D5NN-N20N
7.5	5.5		11.3	2	DE1-34011NN-N20N
10	7.5		16	2	DE1-34016NN-N20N

Notes

- ① For all applications, select the unit such that the motor current is less than or equal to the rated continuous output current.
- ② These are constant torque/high overload rated drives.
- ③ For 230 V three-phase applications, refer to the three-phase to single-phase application note (AP040108EN) to properly set up the system.

Accessories

DE1 Series

PC Communication Kit and Copy/Paste Module

Description	Catalog Number
Bluetooth copy/paste communication stick	DX-COM-STICK2
USB to RJ45 panel mount kit	DX-COM-PCKIT
USB to RJ45 PC Tool cable	DX-CBL-PC-3M0

Keypad Options

Description	Catalog Number
LED remote keypad—7-segment display, IP54 rated	DX-KEY-LED2 ①
Configuration module—plug-in unit, DIP switch and dial control	DXE-EXT-SET

Extension Cables and Data Cable Splitter

Description	Catalog Number
RJ45 communication cable w/terminating resistor	EASY-NT-R
RS-485 data cable, RJ45, 0.5 m	DX-CBL-RJ45-0M5
RS-485 data cable, RJ45, 1.0 m	DX-CBL-RJ45-1M0
RS-485 data cable, RJ45, 3.0 m	DX-CBL-RJ45-3M0
RS-485 three-way data cable splitter, RJ45	DX-SPL-RJ45-3SL
RS-485 data cable splitter, RJ45, (1 connector to 2 socket)	DX-SPL-RJ45-2SL1PL

Communication Modules

Description	Catalog Number
SmartWire-DT interface for DE1 and DC1 IP20	DX-NET-SWD3
Dual EtherNet/IP interface for DE1 and DC1 IP20	DX-NET-ETHERNET2-2

Commoning Links ②

Description	Max. Devices Used	Catalog Number
460 V, three-phase link	3xFS1	XTCEXCLK3B
	2xFS1 + 1xFS2	
	2xFS2	
	4xFS1	XTCEXCLK4B
	3xFS1 + 1xFS2	
	1xFS1 + 2xFS2 ③	
	5xFS1	XTCEXCLK5B
	4xFS1 + 1xFS2	
	2xFS1 + 2xFS2 ③	
3xFS2 ③		
460 V, incoming terminal	—	XTCEXITB ④

Notes

- ① Includes 1 m RS-485 data cable.
- ② Commoning links can be used to connect multiple line side 460 V DE1 units for use in group motor applications.
- ③ These combinations may result in the total of the individual input currents exceeding the three-phase commoning link's and incoming connection block's ampacity (35 A).
- ④ Required for group motor applications when using the 460 V commoning links.

Technical Data and Specifications

DE1 Series

2

Ratings

PowerXL DE1 Basic Controller Standard Ratings

Description	Specification
Protections	
Overload protection	150% for 60s for every 600 seconds
Overvoltage protection	Yes
Undervoltage protection	Yes
Ground fault protection	Yes
Overtemperature protection	Yes
Motor overload protection	Yes
Motor stall protection	Yes
Short-circuit protection	100 kAIC with Type J fuses, 65 kAIC with PKZM, 10 kAIC with FAZ

Programmable Parameters

Description
14 Standard operation parameters
Programmable start function
DC-brake at start and stop
Adjustable switching frequency
Autorestart function after fault
Protections and supervisions
Power section fault indication
External fault
Fieldbus communication
Analog input range selection, signal scaling and filtering
Four preset speed reference

Specifications

PowerXL DE1 Series

Description	Specification
Input Ratings	
Input voltage (V_{in})	$\pm 10\%$
Input frequency (f_{in})	50/60 Hz (variation up to 48–62 Hz)
Connection to power	Maximum of one time every 30 seconds
Output Ratings	
Output voltage	0 to V_{in}
Continuous output current	Continuous rated current I_N at ambient temperature max. 140 °F (60 °C), 150% for 60 seconds, 175% for 2 seconds
Output frequency	0 to 500 Hz
Frequency resolution	0.1 Hz
Initial output current (I_{IH})	175% for 2s for every 20 seconds Torque depends on motor
Control Characteristics	
Operation mode	U/f control, slip compensation
Switching frequency	4 to 32 kHz
Voltage reference	10 Vdc (max. 10 mA)
Field weakening point	0 to 500 Hz
Acceleration time	0.1 to 600 seconds
Deceleration time	0.1 to 600 seconds
Ambient Conditions	
Ambient operating temperature	-10 °C to $+50\text{ °C}$, for 60 °C there is no derating required ^①
Storage temperature	-40 °C to $+70\text{ °C}$
Relative humidity	0 to 95% RH, noncondensing, non-corrosive, no dripping water
Enclosure class	IP20 (FS1–FS3)

Note

^① All units do not require derating except for the 10 hp 460 V unit which may require derating depending on the switching frequency used.

Standards—DE1 Series Variable Speed Starter**I/O Specifications**

- Digital inputs DI1–DI4 are programmable
- Relay output is programmable
- DI3 and DI4 can be programmed to be digital, thermistor or analog

Includes:

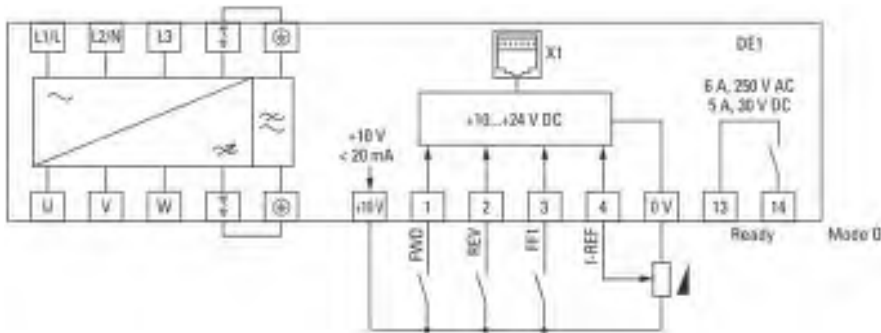
- Four inputs (three digital and one digital/analog)
- Analog input
 - 4–20 mA
 - 0–10 V
- One relay output
- RS-485 interface

Reliability

- Pretested components
- Computerized testing
- Robust design rated to 60 °C

DE1 Series I/O Interface

Terminal	Signal	Factory Preset	Description
0 V	0 V	—	0 V connection
+0 V	+24 Vdc	—	Maximum load 100 mA Reference potential V
1	DI1	FWD	+10 to 24 V
2	DI2	REV	+10 to 24 V
3	DI3	Fixed frequency FF1	+10 to 24 V
	Ther.	Thermistor	Fixed frequency FF1 External fault: Trip at 3600 Ω Reset at 1600 Ω
4	DI4	Digital Input 4	Frequency reference value +10 to 24 V
	AI1	Analog Input	Frequency reference value 0 to 10 V 0/4–20 mA Can be switched with parameter P16
13	K13	Relay 1, normally open contact	Active = RUN Maximum switching load: 250 Vac/6 A or 30 Vdc/5 A
14	K14	Relay 1, normally open contact	Active = RUN Maximum switching load: 250 Vac/6 A or 30 Vdc/5 A



2.2

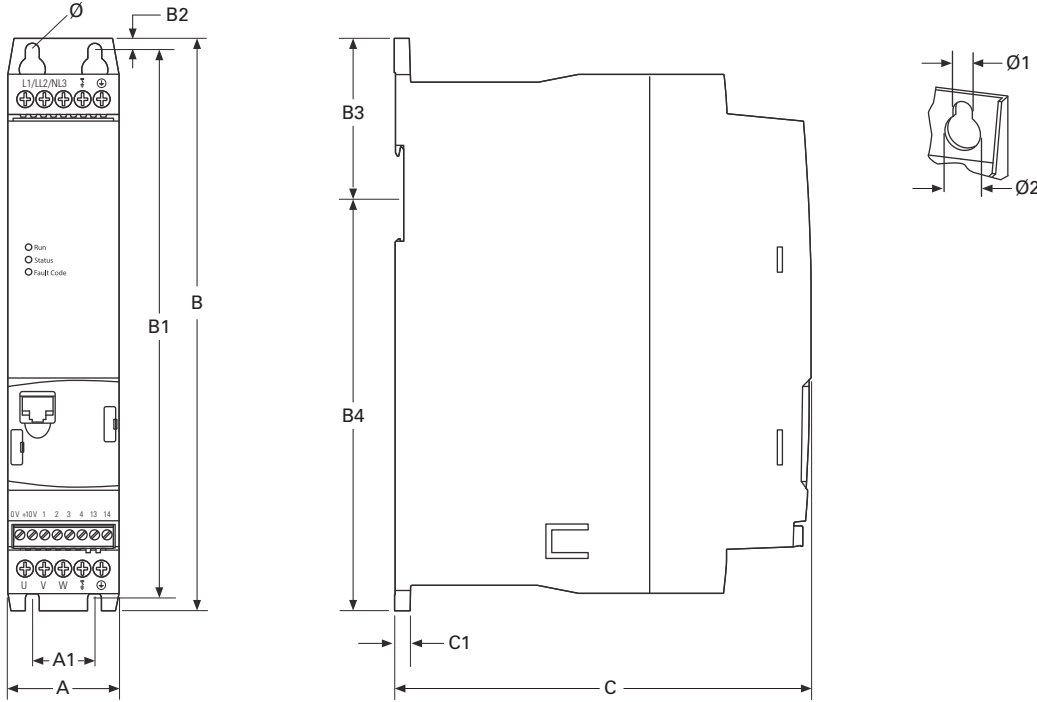
Adjustable Frequency Drives

PowerXL DE1 Series

Dimensions

Approximate Dimensions in Inches (mm)

2 DE1, Sizes FS1 and FS2, Degree of Protection IP20/NEMA 0



Frame Size	A	A1	B	B1	B2	B3	B4
FS1	1.77 (45.0)	0.98 (25.0)	9.09 (231.0)	8.66 (220.0)	0.20 (5.1)	2.52 (64.0)	6.54 (166.1)
FS2	3.54 (90.0)	1.97 (50.0)	9.09 (231.0)	8.66 (220.0)	0.20 (5.1)	2.52 (64.0)	6.54 (166.1)

Frame Size	C	C1	Ø1	Ø2	Weight lbs (kg)
FS1	6.65 (169.0)	0.26 (6.6)	0.20 (5.1)	0.39 (10.0)	2.29 (1.04)
FS2	6.65 (169.0)	0.26 (6.6)	0.20 (5.1)	0.39 (10.0)	3.70 (1.68)

PowerXL DC1 Series Drives



Product Description

Eaton's PowerXL® DC1 variable frequency drives are the next generation of drives specifically engineered for today's machinery applications.

The DC1 is compact with only 14 basic parameters, SmartWire-DT® and EtherNet/IP connectivity, and outstanding ease of mounting and installation. The newest version adds support for sensorless vector control and permanent magnet motor compatibility. The DC1 is perfect for quick commissioning and is ideal for panel builders. This drive supports single-phase motor applications, and detachable terminal blocks make control wiring much easier.

Models rated at 480 volts, three-phase, 50/60 Hz are available in sizes ranging from 1 to 30 hp. Models rated at 240 volts, single- or three-phase, 50/60 Hz are available in sizes ranging from 0.5 to 15 hp. Models rated at 115 volts, single-phase, 50/60 Hz are available in the 0.5 to 3 hp size range.

Features

- Compact, space-saving design
- Rugged and reliable—175% for 2 s, 50 °C rated
- DIN rail and screw mountable (FS1 and FS2)
- Side-by-side installation
- Industry-leading efficiency delivers energy savings to the customer
- Optional integrated EMC filters make the unit suitable for commercial and industrial networks
- Brake chopper as standard in frames 2 and higher
- Temperature-controlled fan
- RS-485/Modbus® and CANopen™ as standard
- PI controller as standard
- SmartWire capability
- Dual EtherNet/IP communication module
- Removable I/O terminal blocks
- Contactor style power wiring
- Designed for shaded-pole, single-phase motors and permanent split capacitor single-phase motors
- Sensorless vector control
- Permanent magnet motor compatibility

Standards and Certifications

Product

- Complies with EN61800-3 (2004)

EMC (At Default Settings)

- EMC Category C1, C2 and C3 at default settings (1 m, 5 m, 25 m)

Safety^①

- 61800-5-1
- EN 60529
- CE
- UL
- cUL
- UkrSepro
- c-Tick
- RoHS compliant



Note

- ① See unit nameplate for more detailed approvals.

Contents

Description

	<i>Page</i>
PowerXL DC1 Series Drives	
Catalog Number Selection	V6-T2-16
Product Selection	V6-T2-17
Accessories	V6-T2-19
Technical Data and Specifications	V6-T2-21
Dimensions	V6-T2-23

2.3

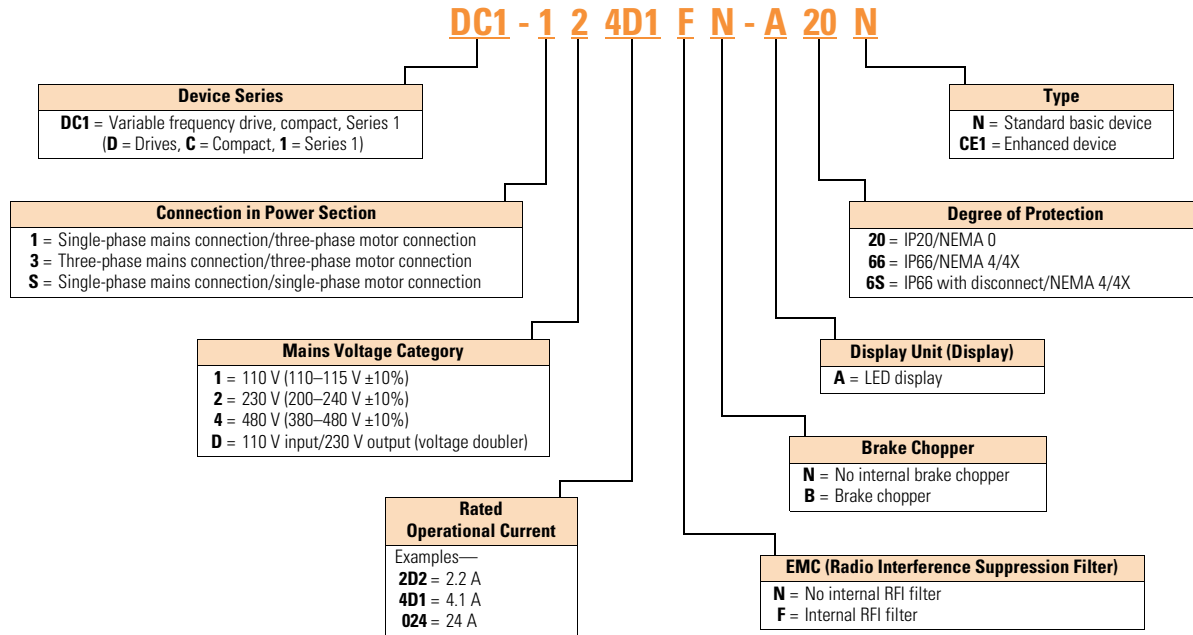
Adjustable Frequency Drives

PowerXL DC1 Series Drives

Catalog Number Selection

2

DC1 Series Adjustable Frequency AC Drives



Product Selection

IP20

DC1 Series IP20 Enclosure Drives ^①

hp ^②	kW	Volts	100% Continuous Current In (A)	Frame Size ^③	Catalog Number
0.5	0.37	115 V single-phase in/ ^④	7	1	DC1-S17D0NN-A20N
0.75	0.55	115 V single-phase out	10.5	2	DC1-S1011NB-A20N
0.5	0.37	200–240 V single-phase in/ ^④	4.3	1	DC1-S24D3NN-A20N ^⑤
1	0.75	200–240 V single-phase out	7	1	DC1-S27D0NN-A20N ^⑤
1.5	1.1		10	2	DC1-S2011NB-A20N ^⑤
0.5	0.37	115 V single-phase in/ 230 V three-phase out	2.3	1	DC1-1D2D3NN-A20CE1
1	0.75		4.3	1	DC1-1D4D3NN-A20CE1
1.5	1.1		5.8	2	DC1-1D5D8NB-A20CE1
0.5	0.37	200–240 V single-phase in/ 230 V three-phase out	2.3	1	DC1-122D3NN-A20CE1 ^⑤
1	0.75		4.3	1	DC1-124D3NN-A20CE1 ^⑤
2	1.5		7	1	DC1-127D0NN-A20CE1 ^⑤
2	1.5		7	2	DC1-127D0NB-A20CE1 ^⑤
3	2.2		10.5	2	DC1-12011NB-A20CE1 ^⑤
5	4		15	3	DC1-12015NB-A20CE1
0.5	0.37	200–240 V three-phase in/ 230 V three-phase out	2.3	1	DC1-322D3NN-A20CE1
1	0.75		4.3	1	DC1-324D3NN-A20CE1
2	1.5		7	1	DC1-327D0NN-A20CE1
2	1.5		7	2	DC1-327D0NB-A20CE1 ^⑤
3	2.2		10.5	2	DC1-32011NB-A20CE1 ^⑤
5	4		18	3	DC1-32018NB-A20CE1 ^⑤
7.5	5.6		24	4	DC1-32024NB-A20CE1 ^⑤
10	7.5		30	4	DC1-32030NB-A20CE1 ^⑤
15	11		46	4	DC1-32046NB-A20CE1 ^⑤
1	0.75	380–480 V three-phase in/ 480 V three-phase out	2.2	1	DC1-342D2NN-A20CE1 ^⑤
2	1.5		4.1	1	DC1-344D1NN-A20CE1 ^⑤
2	1.5		4.1	2	DC1-344D1NB-A20CE1 ^⑤
3	2.2		5.8	2	DC1-345D8NB-A20CE1 ^⑤
5	4		9.5	2	DC1-349D5NB-A20CE1 ^⑤
7.5	5.5		14	3	DC1-34014NB-A20CE1 ^⑤
10	7.5		18	3	DC1-34018NB-A20CE1 ^⑤
15	11		24	3	DC1-34024NB-A20CE1 ^⑤
20	15		30	4	DC1-34030NB-A20CE1 ^⑤
25	18.5		39	4	DC1-34039FB-A20N ^⑤
30	22		46	4	DC1-34046FB-A20N ^⑤

Notes

- ① These are constant torque/high overload rated drives.
- ② For all applications, select the unit such that the motor current is less than or equal to the rated continuous output current.
- ③ Brake chopper circuit available as standard in frames 2, 3 and 4.
- ④ Only for use with shaded pole or split capacitor single-phase motors.
- ⑤ RFI version available. Substitute with DC1-*****F*.**** for this option.

2.3

Adjustable Frequency Drives

PowerXL DC1 Series Drives

2

IP66 NEMA 4/4X Interior DC1 Drive

The IP66 version of the DC1 is a unique solution to allow for mounting the drive outside of a control panel or next to a motor for distributed control.

“-A66...” Option

This version comes with the keypad that is similar to that of IP20 version. There are no additional cover controls to address security concerns.

“-A6S...” Option

This version has an integrated potentiometer, a forward/off/reverse switch and a disconnect switch with lock-off capability with the standard keypad. This allows for reduced labor and materials when compared to a IP20 solution in separate enclosure.

IP66



IP66S



DC1 Series IP66 Enclosure Drives ^①

hp ^②	kW	Volts	100% Continuous Current In (A)	Frame Size ^③	Catalog Number
0.5	0.37	115 V single-phase in/ 115 V single-phase out	7	1	DC1-S17D0NN-A6SN ^④
0.75	0.55		10.5	2	DC1-S1011NB-A6SN ^④
0.5	0.37	200–240 V single-phase in/ 200–240 V single-phase out	4.3	1	DC1-S24D3NN-A6SN ^{④⑤}
1	0.75		7	1	DC1-S27D0NN-A6SN ^{④⑤}
1.5	1.1		10	2	DC1-S2011NB-A6SN ^{④⑤}
0.5	0.37	115 V single-phase in/ 230 V three-phase out	2.3	1	DC1-1D2D3NN-A6SCE1 ^④
1	0.75		4.3	1	DC1-1D4D3NN-A6SCE1 ^④
1.5	1.1		5.8	2	DC1-1D5D8NB-A6SCE1 ^④
0.5	0.37	200–240 V single-phase in/ 230 V three-phase out	2.3	1	DC1-122D3NN-A6SCE1 ^{④⑤}
1	0.75		4.3	1	DC1-124D3NN-A6SCE1 ^{④⑤}
2	1.5		7	1	DC1-127D0NN-A6SCE1 ^{④⑤}
2	1.5		7	2	DC1-127D0NB-A6SCE1 ^{④⑤}
3	2.2		10.5	2	DC1-12011NB-A6SCE1 ^{④⑤}
5	4		15	3	DC1-12015NB-A6SCE1 ^④
0.5	0.37	200–240 V three-phase in/ 230 V three-phase out	2.3	1	DC1-322D3NN-A6SCE1 ^④
1	0.75		4.3	1	DC1-324D3NN-A6SCE1 ^④
2	1.5		7	1	DC1-327D0NN-A6SCE1 ^④
2	1.5		7	2	DC1-327D0NB-A6SCE1 ^{④⑤}
3	2.2		10.5	2	DC1-32011NB-A6SCE1 ^{④⑤}
5	4		18	3	DC1-32018NB-A6SCE1 ^{④⑤}
1	0.75	380–480 V three-phase in/ 460 V three-phase out	2.2	1	DC1-342D2NN-A6SCE1 ^{④⑤}
2	1.5		4.1	1	DC1-344D1NN-A6SCE1 ^{④⑤}
2	1.5		4.1	2	DC1-344D1NB-A6SCE1 ^{④⑤}
3	2.2		5.8	2	DC1-345D8NB-A6SCE1 ^{④⑤}
5	4		9.5	2	DC1-349D5NB-A6SCE1 ^{④⑤}
7.5	5.5		14	3	DC1-34014NB-A6SCE1 ^{④⑤}
10	7.5		18	3	DC1-34018NB-A6SCE1 ^{④⑤}

Notes

- ① These are constant torque/high overload rated drives.
- ② For all applications, select the unit such that the motor current is less than or equal to the rated continuous output current.
- ③ Brake chopper circuit available as standard in frames 2, 3 and 4.
- ④ Non-disconnect version available. Substitute with -A66...
- ⑤ RFI version available. Substitute with DC1-*****F*..... for this option.

Accessories

DC1 Series

PC Communication Kit and Copy/Paste Module

Description	Catalog Number
Bluetooth copy/paste communication stick	DX-COM-STICK2
USB to RJ45 panel mount kit	DX-COM-PCKIT
USB to RJ45 PC Tool cable	DX-CBL-PC-3M0

Encoder Feedback Plug-In Option Module and Miscellaneous Cards

Description	Catalog Number
Local control/test option card	DXC-EXT-LOCSIM
HVACO drive running and tripped relay output card	DXC-EXT-2R01A0
Dual relay output card	DXC-EXT-2R0
110 V logic input card	DXC-EXT-IO110
230 V logic input card	DXC-EXT-IO230

Remote Keypad

Description	Catalog Number
LED remote keypad—7-segment display, IP54 rated	DX-KEY-LED2 ^①
OLED remote keypad—full text display, multi-line text, multi-language, IP54 hand/auto buttons	DX-KEY-OLED ^①

Brake Resistor (FR2 and FR3)

Description	Catalog Number
DC1, DA1 internal mount 200 W, 100 R	DX-BR3-100

Extension Cables and Data Cable Splitter

Description	Catalog Number
RJ45 communication cable w/terminating resistor	EASY-NT-R
RS-485 data cable, RJ45, 0.5 m	DX-CBL-RJ45-0M5
RS-485 data cable, RJ45, 1.0 m	DX-CBL-RJ45-1M0
RS-485 data cable, RJ45, 3.0 m	DX-CBL-RJ45-3M0
RS-485 three-way data cable splitter, RJ45	DX-SPL-RJ45-3SL
RS-485 data cable splitter, RJ45, (1 connector to 2 socket)	DX-SPL-RJ45-2SL1PL

Communication Modules

Description	Catalog Number
SmartWire-DT interface for DE1 and DC1 IP20	DX-NET-SWD3
Dual EtherNet/IP interface for DE1 and DC1 IP20	DX-NET-ETHERNET2-2

Optional Communication Modules

Description	Catalog Number
EtherNet/IP plug-in interface module ^②	DX-NET-ETHERNET2-2

Notes

- ^① Includes 1 m RS-485 data cable.
- ^② Available June 2016.

2.3

Adjustable Frequency Drives

PowerXL DC1 Series Drives

2

Line and Load Reactors

A line and load reactor is a three-phase inductance filter that can be placed on the line and load side of the AFD to help improve the harmonic performance of the system. Consult the factory for additional filtering options and further technical details.

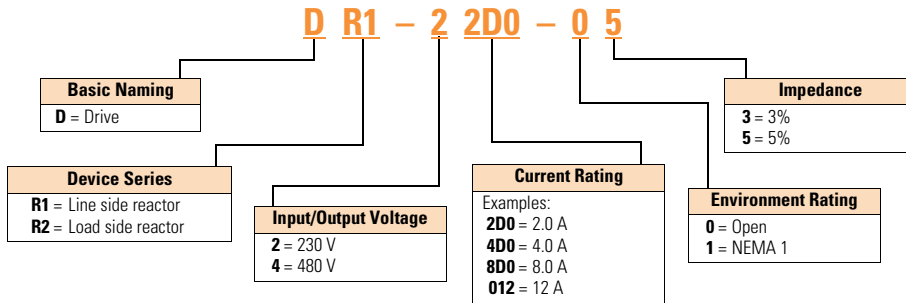
DR1 Line Reactor

A line reactor helps to provide a moderate reduction in current harmonics similar to a DC choke. It also provides increased input protection for AFD and its semiconductors from line transients helping to extend the life of the AFD.

DR2 Output Reactor

An output filter is used to reduce the transient voltage (dV/dt) at the motor terminals. The output filter is recommended for cable lengths exceeding 100 ft (30 m) with a drive of 3 hp and above and for cable lengths of 33 ft (10 m) with a drive of 2 hp and below.

Line and Load Reactors—Catalog Number Selection



Line and Load Reactors—230 V

hp (CT)	Open Load Reactor		Line Reactor		NEMA 1 Load Reactor		Line Reactor	
	3%	5%	3%	5%	3%	5%	3%	5%
0.5	DR2-22D0-03	DR2-22D0-05	DR1-22D2-03	DR1-22D2-05	DR2-22D0-13	DR2-22D0-15	DR1-22D2-13	DR1-22D2-15
1	DR2-24D0-03	DR2-28D0-05	DR1-24D2-03	DR1-24D2-05	DR2-24D0-13	DR2-28D0-15	DR1-24D2-13	DR1-24D2-15
1.5	DR2-28D0-03	DR2-28D0-05	DR1-26D0-03	DR1-26D0-05	DR2-28D0-13	DR2-28D0-15	DR1-26D0-13	DR1-26D0-15
2	DR2-28D0-03	DR2-28D0-05	DR1-26D8-03	DR1-26D8-05	DR2-28D0-13	DR2-28D0-15	DR1-26D8-13	DR1-26D8-15
3	DR2-2012-03	DR2-2012-05	DR1-29D6-03	DR1-29D6-05	DR2-2012-13	DR2-2012-15	DR1-29D6-13	DR1-29D6-15
5	DR2-2018-03	DR2-2018-05	DR1-2015-03	DR1-2015-05	DR2-2018-13	DR2-2018-15	DR1-2015-13	DR1-2015-15
7.5	DR2-2025-03	DR2-2025-05	DR1-2022-03	DR1-2022-05	DR2-2025-13	DR2-2025-15	DR1-2022-13	DR1-2022-15
10	DR2-2035-03	DR2-2035-05	DR1-2028-03	DR1-2028-05	DR2-2035-13	DR2-2035-15	DR1-2028-13	DR1-2028-15
15	DR2-2045-03	DR2-2045-05	DR1-2042-03	DR1-2042-05	DR2-2045-13	DR2-2045-15	DR1-2042-13	DR1-2042-15

Line and Load Reactors—480 V

hp (CT)	Open Load Reactor		Line Reactor		NEMA 1 Load Reactor		Line Reactor	
	3%	5%	3%	5%	3%	5%	3%	5%
1	DR2-42D0-03	DR2-42D0-05	DR1-42D1-03	DR1-42D1-05	DR2-42D0-13	DR2-42D0-15	DR1-42D1-13	DR1-42D1-15
2	DR2-44D0-03	DR2-44D0-05	DR1-43D4-03	DR1-43D4-05	DR2-44D0-13	DR2-44D0-15	DR1-43D4-13	DR1-43D4-15
3	DR2-48D0-03	DR2-48D0-05	DR1-44D8-03	DR1-44D8-05	DR2-48D0-13	DR2-48D0-15	DR1-44D8-13	DR1-44D8-15
5	DR2-48D0-03	DR2-48D0-05	DR1-47D6-03	DR1-47D6-05	DR2-48D0-13	DR2-48D0-15	DR1-47D6-13	DR1-47D6-15
7.5	DR2-4012-03	DR2-4012-05	DR1-4011-03	DR1-4011-05	DR2-4012-13	DR2-4012-15	DR1-4011-13	DR1-4011-15
10	DR2-4018-03	DR2-4018-05	DR1-4014-03	DR1-4014-05	DR2-4018-13	DR2-4018-15	DR1-4014-13	DR1-4014-15
15	DR2-4025-03	DR2-4025-05	DR1-4021-03	DR1-4021-05	DR2-4025-13	DR2-4025-15	DR1-4021-13	DR1-4021-15
20	DR2-4025-03	DR2-4025-05	DR1-4027-03	DR1-4027-05	DR2-4025-13	DR2-4025-15	DR1-4027-13	DR1-4027-15
25	DR2-4035-03	DR2-4035-05	DR1-4034-03	DR1-4034-05	DR2-4035-13	DR2-4035-15	DR1-4034-13	DR1-4034-15
30	DR2-4045-03	DR2-4045-05	DR1-4040-03	DR1-4040-05	DR2-4045-13	DR2-4045-15	DR1-4040-13	DR1-4040-15

Technical Data and Specifications

DC1 Series

Ratings

PowerXL DC1 Basic Controller IP20 Standard Ratings

Description	Specification
Protections	
Overload protection	150% for 60s for every 600 seconds
Overvoltage protection	Yes
Undervoltage protection	Yes
Ground fault protection	Yes
Overtemperature protection	Yes
Motor overload protection	Yes
Motor stall protection	Yes
Short-circuit withstand rating	100 kAIC with Type J fuses

Programmable Parameters

Description
Built-in Help card
14 Standard operation parameters
Reference scaling
Programmable start and stop functions
DC-brake at start and stop
Programmable V/Hz curve
Adjustable switching frequency
Autorestart function after fault
Protections and supervisions
Power section fault indication
External fault
Fieldbus communication
Second deceleration time
Analog input range selection, signal scaling and filtering
PI controller
Skip frequencies

Specifications

PowerXL DC1 Series Drives

Description	Specification
Input Ratings	
Input voltage (V_{in})	$\pm 10\%$
Input frequency (f_{in})	50/60 Hz (variation up to 48–62 Hz)
Connection to power	Maximum of one time every 30 seconds
Output Ratings	
Output voltage	0 to V_{in} ^①
Continuous output current	Continuous rated current I_N at ambient temperature max. 122 °F (50 °C), 150% for 60 seconds, 175% for 2 seconds
Output frequency	0 to 500 Hz
Frequency resolution	0.1 Hz
Initial output current (I_{IH})	175% for 2s for every 20 seconds Torque depends on motor
Control Characteristics	
Operation mode	U/f control, slip compensation
Switching frequency	4 to 32 kHz
Voltage reference	10 Vdc (max. 10 mA)
Field weakening point	0 to 500 Hz
Acceleration time	0.1 to 600 seconds
Deceleration time	0.1 to 600 seconds
Brake Resistor (Minimum Values) ^②	
230 V Series	FS2 and FS3 47 ohms
400 V Series	FS2 100 ohms, FS3 47 ohms
Ambient Conditions	
Ambient operating temperature	+14 °F (–10 °C), no frost to +122 °F (+50 °C): Rated loadability I_N IP20—NEMA 0
Storage temperature	–40 °F (–40 °C) to +140 °F (+60 °C)
Relative humidity	0 to 95% RH, noncondensing, non-corrosive, no dripping water
Enclosure class	IP20 (FS1–FS4)

Notes

^① Exception: 115 V single-phase in, 230 V three-phase out.

^② Only FS2, FS3 and FS4 drives are equipped with brake chopper circuit.

Standards—DC1 Series

2

I/O Specifications

- Digital inputs DI1–DI4 are programmable
- Digital, relay and analog outputs are programmable

Includes:

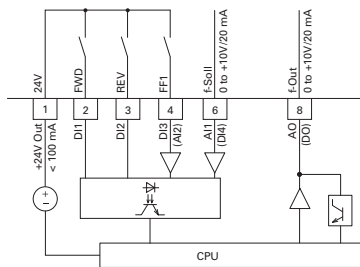
- Four inputs (two digital and two digital/analog)
- Analog inputs
 - 4–20 mA
 - 0–10 V
- One output (analog or digital)
- One relay output
- RS-485 interface

Reliability

- Pretested components
- Computerized testing
- Final test with full load
- Conformal-coated boards
- Eaton’s Electrical Services & Systems: national network of AF drive specialists

DC1 Series I/O Interface

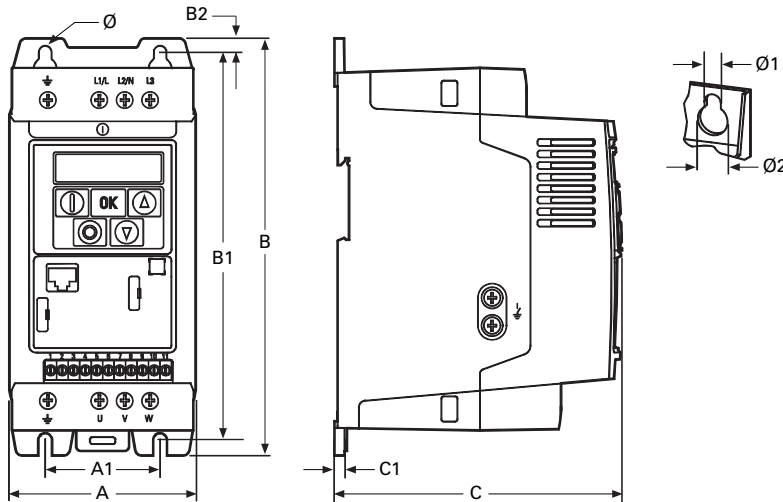
Terminal	Signal	Factory Preset	Description
1	+24 Vdc	Control voltage for DI1–DI4	— Maximum load 100 mA Reference potential V
2	DI1	Digital Input 1	Start Enable FWD
3	DI2	Digital Input 2	Start Enable REV
4	DI3	Digital Input 3	Fixed frequency FF1
	AI2	Analog Input 2	Fixed frequency FF1
			Digital: 8–30 V (high) Analog: 0 to +10 V ($R_i > 72 \text{ k}\Omega$) 0/4–20 mA ($R_B = 500 \Omega$) Can be switched with parameter P-16
5	+10 Vdc	Reference voltage, Output (+10 V)	— Maximum load 10 mA Reference potential 0 V
6	AI1	Analog Input 1	Frequency reference value (fixed frequency)
	DI4	Digital Input 5	Frequency reference value (fixed frequency)
			Analog: 0 to +10 V ($R_i > 72 \text{ k}\Omega$) 0/4–20 mA ($R_B = 500 \Omega$) Can be switched with parameter P-16
7	0 V	Reference potential	— 0 V = connection terminal 9
8	AO1	Analog Output 1	Output frequency
	DO1	Digital Output 1	Output frequency
			Analog: 0 to +10 V, maximum 20 mA Can be switched with parameter P-25 Digital: 8 to +24 V
9	0 V	Reference potential	— 0 V connection terminal 7
10	K13	Relay 1, normally open contact	Active = RUN
11	K14	Relay 1, normally open contact	Active = RUN
			Maximum switching load: 250 Vac/6 A or 30 Vdc/5 A



Dimensions

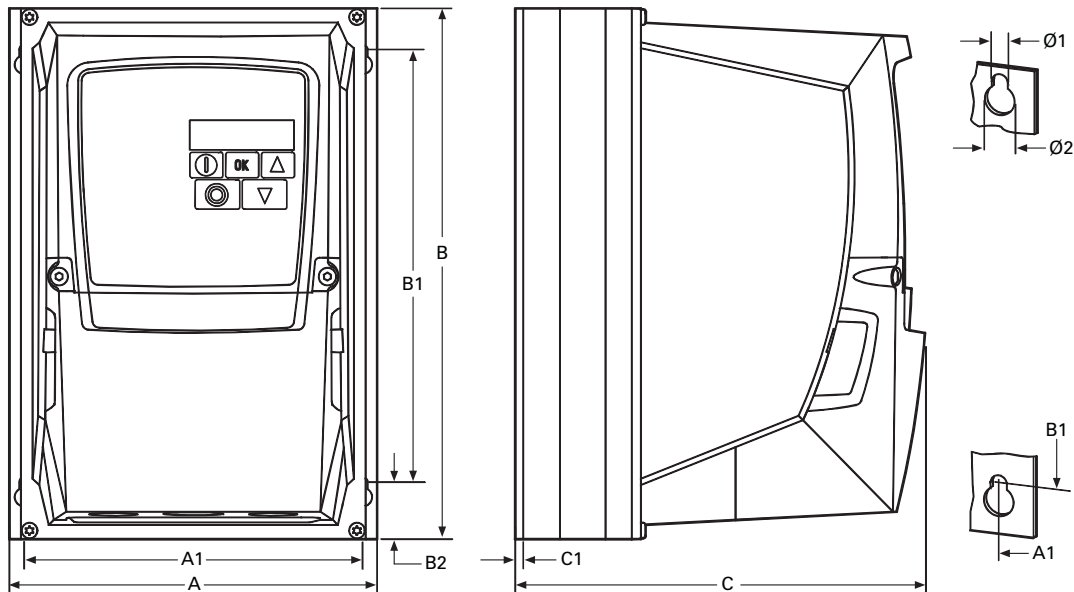
Approximate Dimensions in Inches (mm)

DC1, Sizes FS1–FS4, Degree of Protection IP20/NEMA 0



Frame Size	A	A1	B	B1	B2	C	C1	Ø1	Ø2	Weight lbs (kg)
FS1	3.19 (81)	1.97 (50)	7.24 (184)	6.69 (170)	0.28 (7)	4.88 (124)	0.16 (4)	0.24 (6)	0.47 (12)	2.43 (1.1)
FS2	4.21 (107)	2.95 (75)	9.09 (231)	8.46 (215)	0.31 (8)	5.98 (152)	0.20 (5)	0.24 (6)	0.47 (12)	5.73 (2.6)
FS3	5.08 (129)	3.94 (100)	10.75 (273)	10.04 (255)	0.33 (8.5)	6.89 (175)	0.20 (5)	0.24 (6)	0.47 (12)	8.82 (4.0)
FS4	6.81 (173)	4.92 (125)	16.48 (418.5)	15.75 (400)	0.41 (10.5)	8.31 (211)	0.16 (4)	0.31 (8)	0.57 (14.5)	18.52 (8.4)

DC1, Sizes FS1–FS3, Degree of Protection IP66/NEMA 4



Frame Size	A	A1	B	B1	B2	C	C1	Ø1	Ø2	Weight lbs (kg)
FS1	6.34 (161)	5.85 (148.5)	9.13 (232)	7.44 (189)	0.98 (25)	7.24 (184)	0.14 (3.5)	0.16 (4)	0.31 (8)	6.17 (2.8)
FS2	7.40 (188)	6.93 (176)	10.12 (257)	7.87 (200)	1.10 (28)	7.56 (192)	0.14 (3.5)	0.17 (4.2)	0.33 (8.5)	11.02 (5.0)
FS3	8.27 (210)	7.78 (197.5)	12.20 (310)	9.92 (252)	1.30 (33)	9.45 (240)	0.14 (3.5)	0.17 (4.2)	0.33 (8.5)	18.08 (8.2)

2.3

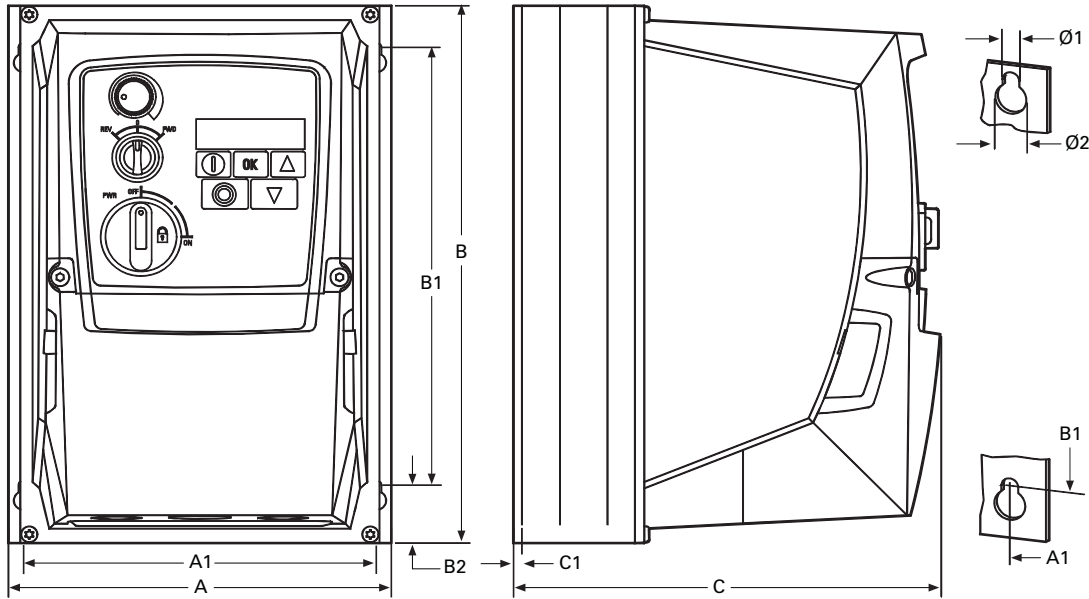
Adjustable Frequency Drives

PowerXL DC1 Series Drives

Approximate Dimensions in Inches (mm)

2

DC1, Sizes FS1–FS3, Degree of Protection IP66/NEMA 4, with Local Controls



Frame Size	A	A1	B	B1	B2	C	C1	Ø1	Ø2	Weight lbs (kg)
FS1	6.34 (161)	5.85 (148.5)	9.13 (232)	7.44 (189)	0.98 (25)	7.24 (184)	0.14 (3.5)	0.16 (4)	0.31 (8)	6.17 (2.8)
FS2	7.40 (188)	6.93 (176)	10.12 (257)	7.87 (200)	1.10 (28)	7.56 (192)	0.14 (3.5)	0.17 (4.2)	0.33 (8.5)	11.02 (5.0)
FS3	8.27 (210)	7.78 (197.5)	12.20 (310)	9.92 (252)	1.30 (33)	9.45 (240)	0.14 (3.5)	0.17 (4.2)	0.33 (8.5)	18.08 (8.2)

PowerXL DA1 Series Drives



Product Description

Eaton's PowerXL® DA1 variable frequency drives are the next generation of drives specifically engineered for today's machinery applications.

DA1 is the perfect match for demanding OEM applications. High-performance processor, safe torque off, multiple fieldbus protocols including SmartWire-DT, sensorless vector control and the possibility to operate permanent magnet motors are sure to leave a lasting impression.

Models rated at 480 volts, three-phase, 50/60 Hz are available in sizes ranging from 1 to 15 hp. Models rated at 240 volts, single- or three-phase, 50/60 Hz are available in sizes ranging from 0.5 to 7.5 hp. Models rated at 575 volts, three-phase, 50/60 Hz are available in sizes ranging from 1 to 20 hp.

Features

- Compact, space-saving design
- Rugged and reliable—200% for 4s 50 °C rated
- DIN rail and screw mountable (FS1 and FS2)
- Side-by-side installation
- Industry-leading efficiency delivers energy savings to the customer
- Integrated EMC filters make the unit suitable for commercial and industrial networks
- Communication cards that integrate into the drive—
 - EtherNet/IP
 - DeviceNet
 - PROFIBUS-DP
 - EtherCAT
 - PROFINET
 - Modbus TCP
 - BACnet
- Brake chopper as standard
- Temperature-controlled fan
- RS-485/Modbus® and CANopen™ as standard
- PID controller as standard
- SmartWire capability
- Removable I/O terminal blocks
- Contactor style power wiring
- 200% torque at zero speed
- Designed to run surface mounted (SPM) and rotor in-built (IPM) permanent magnet motors
- PLC programming
- Closed loop
- Conformal coated boards

Standards and Certifications

Product

- Complies with EN61800-3 (2004)

EMC (At Default Settings)

- EMC Category C1, C2 and C3 at default settings (1 m, 5 m, 25 m)

Safety^①

- 61800-5-1
- EN 60529
- CE
- UL
- cUL
- DNV
- UkrSepro
- c-Tick
- RoHS compliant



Note

- ① See unit nameplate for more detailed approvals.

Contents

Description

Description	Page
PowerXL DA1 Series Drives	
Catalog Number Selection	V6-T2-26
Product Selection	V6-T2-27
Accessories	V6-T2-29
Technical Data and Specifications	V6-T2-32
Dimensions	V6-T2-34

2.4

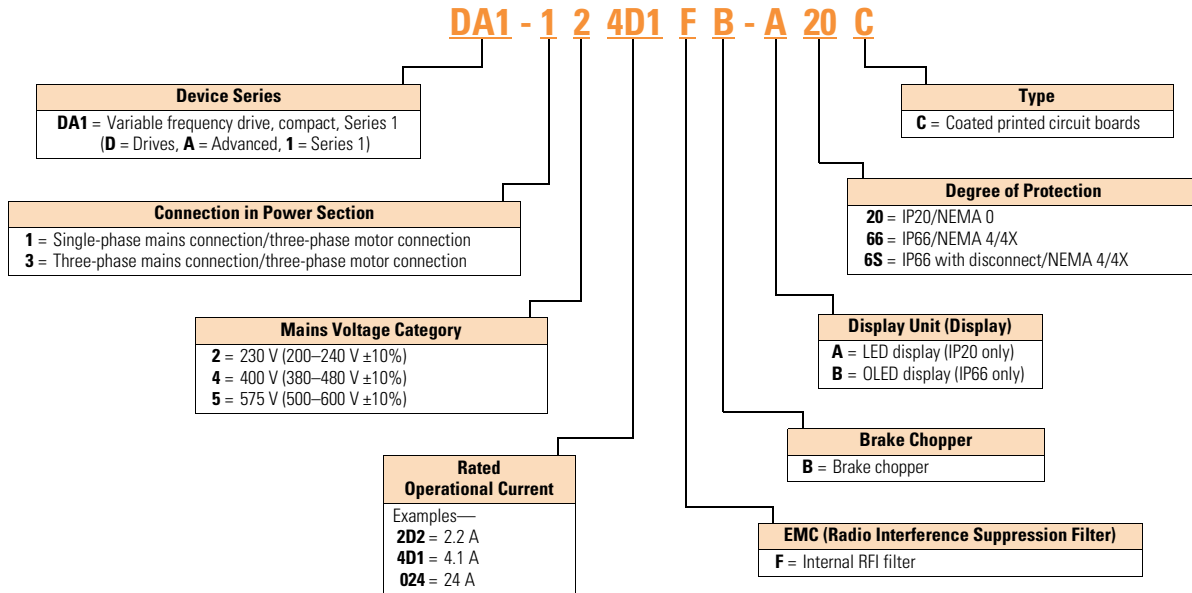
Adjustable Frequency Drives

PowerXL DA1 Series Drives

Catalog Number Selection

2

DA1 Series Adjustable Frequency AC Drives



Product Selection

IP20

DA1 Series IP20 Enclosure Drives ^①

hp ^②	kW	Volts	100% Continuous Current In (A)	Frame Size ^③	Catalog Number
1	0.75	200–240 V single-phase in/ 230 V three-phase out	4.3	2	DA1-124D3FB-A20C
2	1.5		7	2	DA1-127D0FB-A20C
3	2.2		10.5	2	DA1-12011FB-A20C
1	0.75	200–240 V three-phase in/ 230 V three-phase out	4.3	2	DA1-324D3FB-A20C
2	1.5		7	2	DA1-327D0FB-A20C
3	2.2		10.5	2	DA1-32011FB-A20C
5	4		18	3	DA1-32018FB-A20C
7.5	5.5		24	3	DA1-32024FB-A20C
1	0.75	380–480 V three-phase in/ 460 V three-phase out	2.2	2	DA1-342D2FB-A20C
2	1.5		4.1	2	DA1-344D1FB-A20C
3	2.2		5.8	2	DA1-345D8FB-A20C
5	4		9.5	2	DA1-349D5FB-A20C
7.5	5.5		14	3	DA1-34014FB-A20C
10	7.5		18	3	DA1-34018FB-A20C
15	11		24	3	DA1-34024FB-A20C
1	0.75	500–600 V three-phase in/ 575 V three-phase out	2.1	2	DA1-352D1NB-A20C
2	4.5		3.1	2	DA1-353D1NB-A20C
3	2.2		4.1	2	DA1-354D1NB-A20C
5	4		6.5	2	DA1-356D5NB-A20C
7.5	5.5		9	2	DA1-359D0NB-A20C
10	7.5		12	3	DA1-35012NB-A20C
15	11		17	3	DA1-35017NB-A20C
20	15		22	3	DA1-35022NB-A20C

Notes

- ① These are constant torque/high overload rated drives.
- ② For all applications, select the unit such that the motor current is less than or equal to the rated continuous output current.
- ③ Brake chopper circuit available as standard in frames 2 and 3.

2.4

Adjustable Frequency Drives

PowerXL DA1 Series Drives

2

IP66 NEMA 4/4X Interior DA1 Drive

The IP66 version of the DA1 is a unique solution to allow for mounting the drive outside of a control panel or next to a motor for distributed control.

“-B66C” Option

This version comes with the OLED keypad. There are no additional cover controls to address security concerns.

“-B6SC” Option

This version has an integrated potentiometer, a forward/off/reverse switch and a disconnect switch with lock-off capability with the OLED keypad. This allows for reduced labor and materials when compared to a IP20 solution in separate enclosure.

IP66



IP66S



DA1 Series IP66 Enclosure Drives ^①

IP66 NEMA 4/4X Interior DA1 Drive

hp ^②	kW	Volts	100% Continuous Current In (A)	Frame Size ^③	Catalog Number
1	0.75	200–240 V single-phase in/ 230 V three-phase out	4.3	2	DA1-124D3FB-B6SC ^④
2	1.5		7	2	DA1-127D0FB-B6SC ^④
3	2.2		10.5	2	DA1-12011FB-B6SC ^④
1	0.75	200–240 V three-phase in/ 230 V three-phase out	4.3	2	DA1-324D3FB-B6SC ^④
2	1.5		7	2	DA1-327D0FB-B6SC ^④
3	2.2		10.5	2	DA1-32011FB-B6SC ^④
5	4		18	3	DA1-32018FB-B6SC ^④
1	0.75	380–480 V three-phase in/ 460 V three-phase out	2.2	2	DA1-342D2FB-B6SC ^④
2	1.5		4.1	2	DA1-344D1FB-B6SC ^④
3	2.2		5.8	2	DA1-345D8FB-B6SC ^④
5	4		9.5	2	DA1-349D5FB-B6SC ^④
7.5	5.5		14	3	DA1-34014FB-B6SC ^④
10	7.5		18	3	DA1-34018FB-B6SC ^④
1	0.75	500–600 V three-phase in/ 575 V three-phase out	2.1	2	DA1-352D1NB-B6SC
2	4.5		3.1	2	DA1-353D1NB-B6SC
3	2.2		4.1	2	DA1-354D1NB-B6SC
5	4		6.5	2	DA1-356D5NB-B6SC
7.5	5.5		9	2	DA1-359D0NB-B6SC
10	7.5		12	3	DA1-35012NB-B6SC
15	11		17	3	DA1-35017NB-B6SC

Notes

- ① These are constant torque/high overload rated drives.
- ② For all applications, select the unit such that the motor current is less than or equal to the rated continuous output current.
- ③ Brake chopper circuit available as standard in frames 2 and 3.
- ④ Non-disconnect version available. Substitute with **-B66C**.

Accessories

DA1 Series

PC Communication Kit and Copy/Paste Module

Description	Catalog Number
Bluetooth copy/paste communication stick	DX-COM-STICK2
USB to RJ45 panel mount kit	DX-COM-PCKIT
USB to RJ45 PC Tool cable	DX-CBL-PC-3M0

Optional Communication Modules

Description	Catalog Number
DeviceNet plug-in interface module	DX-NET-DEVICENET
PROFIBUS-DP plug-in interface module	DX-NET-PROFIBUS
EtherNet/IP plug-in interface module	DX-NET-ETHERNET-2
EtherCAT plug-in interface module	DX-NET-ETHERCAT-2
PROFINET plug-in interface module	DX-NET-PROFINET-2
Modbus TCP plug-in interface module	DX-NET-MOVBUSTCP-2
BACnet/IP plug-in interface module	DX-NET-BACNETIP-2

Encoder Feedback Plug-In Option Module and Miscellaneous Cards

Description	Catalog Number
Expansion card: 3 relay outputs	DXA-EXT-3RO
Encoder feedback plug-in option module	DXA-EXT-ENCOD
Expansion card: 3 digital inputs and 1 relay output	DXA-EXT-3DI1RO

Remote Keypad

Description	Catalog Number
LED remote keypad—7-segment display, IP54 rated	DX-KEY-LED2 ①
OLED remote keypad—full text display, multi-line text, multi-language, IP54, hand/auto	DX-KEY-OLED ①

Extension Cables and Data Cable Splitter

Description	Catalog Number
RJ45 communication cable w/terminating resistor	EASY-NT-R
RS-485 data cable, RJ45, 0.5 m	DX-CBL-RJ45-0M5
RS-485 data cable, RJ45, 1.0 m	DX-CBL-RJ45-1M0
RS-485 data cable, RJ45, 3.0 m	DX-CBL-RJ45-3M0
RS-485 three-way data cable splitter, RJ45	DX-SPL-RJ45-3SL
RS-485 data cable splitter, RJ45, (1 connector to 2 socket)	DX-SPL-RJ45-2SL1PL

SmartWire Modules

Description	Catalog Number
SmartWire-DT interface for DA1 IP20	DX-NET-SWD1

Note

① Includes 1 m RS-485 data cable.

2.4

Adjustable Frequency Drives

PowerXL DA1 Series Drives

2

Line and Load Reactors

A line and load reactor is a three-phase inductance filter that can be placed on the line and load side of the AFD to help improve the harmonic performance of the system. Consult the factory for additional filtering options and further technical details.

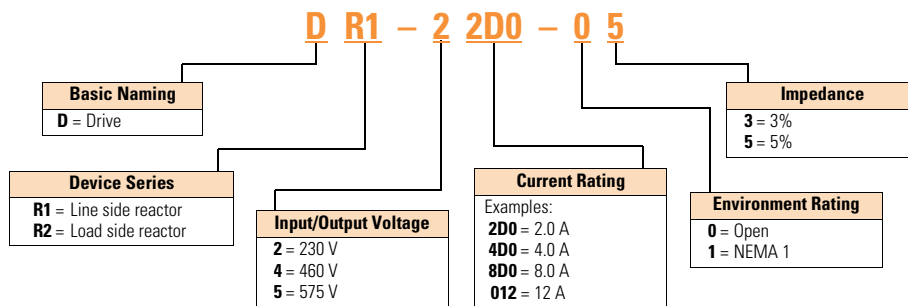
DR1 Line Reactor

A line reactor helps to provide a moderate reduction in current harmonics similar to a DC choke. It also provides increased input protection for AFD and its semiconductors from line transients helping to extend the life of the AFD.

DR2 Output Reactor

An output filter is used to reduce the transient voltage (dV/dt) at the motor terminals. The output filter is recommended for cable lengths exceeding 100 ft (30 m) with a drive of 3 hp and above and for cable lengths of 33 ft (10 m) with a drive of 2 hp and below.

Line and Load Reactors—Catalog Number Selection



Line and Load Reactors—230 V

hp (CT)	Open Load Reactor		Line Reactor		NEMA 1 Load Reactor		Line Reactor	
	3%	5%	3%	5%	3%	5%	3%	5%
1	DR2-24D0-03	DR2-28D0-05	DR1-24D2-03	DR1-24D2-05	DR2-24D0-13	DR2-28D0-15	DR1-24D2-13	DR1-24D2-15
2	DR2-28D0-03	DR2-28D0-05	DR1-26D8-03	DR1-26D8-05	DR2-28D0-13	DR2-28D0-15	DR1-26D8-13	DR1-26D8-15
3	DR2-2012-03	DR2-2012-05	DR1-29D6-03	DR1-29D6-05	DR2-2012-13	DR2-2012-15	DR1-29D6-13	DR1-29D6-15
5	DR2-2018-03	DR2-2018-05	DR1-2015-03	DR1-2015-05	DR2-2018-13	DR2-2018-15	DR1-2015-13	DR1-2015-15
7.5	DR2-2025-03	DR2-2025-05	DR1-2022-03	DR1-2022-05	DR2-2025-13	DR2-2025-15	DR1-2022-13	DR1-2022-15

Line and Load Reactors—480 V

hp (CT)	Open Load Reactor	
	3%	5%
	1	DR2-42D0-03
2	DR2-44D0-03	DR2-44D0-05
3	DR2-48D0-03	DR2-48D0-05
5	DR2-48D0-03	DR2-48D0-05
7.5	DR2-4012-03	DR2-4012-05
10	DR2-4018-03	DR2-4018-05
15	DR2-4025-03	DR2-4025-05

Line Reactor	
3%	5%
DR1-42D1-03	DR1-42D1-05
DR1-43D4-03	DR1-43D4-05
DR1-44D8-03	DR1-44D8-05
DR1-47D6-03	DR1-47D6-05
DR1-4011-03	DR1-4011-05
DR1-4014-03	DR1-4014-05
DR1-4021-03	DR1-4021-05

NEMA 1 Load Reactor	
3%	5%
DR2-42D0-13	DR2-42D0-15
DR2-44D0-13	DR2-44D0-15
DR2-48D0-13	DR2-48D0-15
DR2-48D0-13	DR2-48D0-15
DR2-4012-13	DR2-4012-15
DR2-4018-13	DR2-4018-15
DR2-4025-13	DR2-4025-15

Line Reactor	
3%	5%
DR1-42D1-13	DR1-42D1-15
DR1-43D4-13	DR1-43D4-15
DR1-44D8-13	DR1-44D8-15
DR1-47D6-13	DR1-47D6-15
DR1-4011-13	DR1-4011-15
DR1-4014-13	DR1-4014-15
DR1-4021-13	DR1-4021-15

Line and Load Reactors—575 V

hp (CT)	Open Load Reactor	
	3%	5%
	1	DR2-52D0-03
2	DR2-54D0-03	DR2-54D0-05
3	DR2-54D0-03	DR2-54D0-05
5	DR2-58D0-03	DR2-58D0-05
7.5	DR2-58D0-03	DR2-58D0-05
10	DR2-5012-03	DR2-5012-05
15	DR2-5018-03	DR2-5018-05
20	DR2-5025-03	DR2-5025-05

Line Reactor	
3%	5%
DR1-51D7-03	DR1-51D7-05
DR1-52D7-03	DR1-52D7-05
DR1-53D9-03	DR1-53D9-05
DR1-56D1-03	DR1-56D1-05
DR1-59D0-03	DR1-59D0-05
DR1-5011-03	DR1-5011-05
DR1-5017-03	DR1-5017-05
DR1-5022-03	DR1-5022-05

NEMA 1 Load Reactor	
3%	5%
DR2-52D0-13	DR2-52D0-15
DR2-54D0-13	DR2-54D0-15
DR2-54D0-13	DR2-54D0-15
DR2-58D0-13	DR2-58D0-15
DR2-58D0-13	DR2-58D0-15
DR2-5012-13	DR2-5012-15
DR2-5018-13	DR2-5018-15
DR2-5025-13	DR2-5025-15

Line Reactor	
3%	5%
DR1-51D7-13	DR1-51D7-15
DR1-52D7-13	DR1-52D7-15
DR1-53D9-13	DR1-53D9-15
DR1-56D1-13	DR1-56D1-15
DR1-59D0-13	DR1-59D0-15
DR1-5011-13	DR1-5011-15
DR1-5017-13	DR1-5017-15
DR1-5022-13	DR1-5022-15

Technical Data and Specifications

DA1 Series

2

Ratings

PowerXL DA1 Basic Controller IP20 Standard Ratings

Description	Specification
Protections	
Overload protection	150% for 60s for every 600 seconds
Overvoltage protection	Yes
Undervoltage protection	Yes
Ground fault protection	Yes
Overtemperature protection	Yes
Motor overload protection	Yes
Motor stall protection	Yes
Short-circuit withstand rating	100 kAIC with Type J fuses

Programmable Parameters

Description
Built-in Help card
14 Standard operation parameters
Reference scaling
Programmable start and stop functions
DC-brake at start and stop
Programmable V/Hz curve
Adjustable switching frequency
Autorestart function after fault
Protections and supervisions
Power section fault indication
External fault
Fieldbus communication
Safe torque off (STO) function
Analog input range selection, signal scaling and filtering
PI controller
Skip frequencies

Specifications

PowerXL DA1 Series Drives

Description	Specification
Input Ratings	
Input voltage (V_{in})	$\pm 10\%$
Input frequency (f_{in})	50/60 Hz (variation up to 48–62 Hz)
Connection to power	Maximum of one time every 30 seconds
Output Ratings	
Output voltage	0 to V_{in} ①
Continuous output current	Continuous rated current I_N at ambient temperature max. 122 °F (50 °C), 150% for 60 seconds, 200% for 4 seconds
Output frequency	0 to 500 Hz
Frequency resolution	0.1 Hz
Initial output current (I_{H})	200% for 4s for every 40 seconds Torque depends on motor
Control Characteristics	
Operation mode	U/f control, slip compensation, sensorless vector control (SLV), vector control with feedback (CLV)
Switching frequency	4 to 32 kHz
Voltage reference	10 Vdc (max. 10 mA)
Field weakening point	0 to 500 Hz
Acceleration time	0.1 to 600 seconds
Deceleration time	0.1 to 600 seconds
Brake Resistor (Minimum Values) ②	
230 V Series	FS2 and FS3 15 ohms
400 V Series	FS2 33 ohms, FS3 22 ohms
Ambient Conditions	
Ambient operating temperature	+14 °F (–10 °C), no frost to +122 °F (+50 °C): Rated loadability I_N IP20—NEMA 0
Storage temperature	–40 °F (–40 °C) to +140 °F (+60 °C)
Relative humidity	0 to 95% RH, noncondensing, non-corrosive, no dripping water
Enclosure class	IP20 (FS2 and FS3)

Notes

- ① Exception: 115 V single-phase in, 230 V three-phase out.
 ② Only FS2 and FS3 drives are equipped with brake chopper circuit.

Standards—DA1 Series

I/O Specifications

- Digital inputs D11–D15 are programmable
- Digital, relay and analog outputs are programmable

Includes:

- Five inputs (three digital and two digital/analog)
- Analog inputs
 - 4–20 mA
 - 0–10 V
- Two outputs (analog or digital)
- Two relay outputs
- RS-485 interface

Reliability

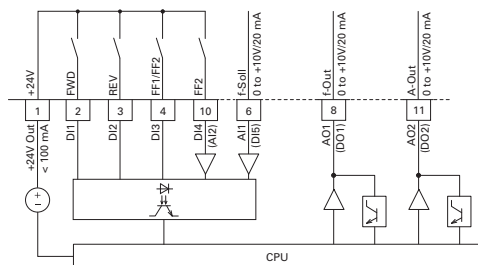
- Pretested components
- Computerized testing
- Final test with full load
- Conformal-coated boards
- Eaton's Electrical Services & Systems: national network of AF drive specialists

DA1 Series I/O Interface

Terminal	Signal	Factory Preset	Description
1	+24 Vdc	Control voltage for D11–D15	Maximum load 100 mA Reference potential V
2	D11	Digital Input 1	Start Enable FWD ①
3	D12	Digital Input 2	Start Enable REV ①
4	D13	Digital Input 3	Fixed frequency FF1/FF2 ①
5	+10 Vdc	Reference voltage, Output (+10 V)	Maximum load 10 mA Reference potential 0 V
6	A11	Analog Input 1	Frequency reference value ①
	D14	Digital Input 5	Frequency reference value ①
7	0 V	Reference potential	0 V = connection terminal 9
8	A01	Analog Output 1	Output frequency
	D01	Digital Output 1	Output frequency
9	0 V	Reference potential	0 V connection terminal 7
10	D14	Digital Input 4	Fixed frequency FF2 ①
	A12	Analog Input 2	Fixed frequency FF2 ①
11	A02	Analog output 2	Output current ①
	D02	Digital output 2	Output current ①
12	STO+	Safe Torque Off +	Enable = +24 V
13	STO-	Safe Torque Off -	Enable = 0 V
14	K11	Relay 1, changeover contact	Active = FAULT ①
15	K14	Relay 1, changeover contact (N/O)	Active = FAULT ①
16	K12	Relay 1, changeover contact (N/C)	Active = FAULT ①
17	K23	Relay 2, N/O contact	Active = FAULT ①
18	K24	Relay 2, N/C contact	Active = FAULT ①

Note

① Programmable function.



2.4

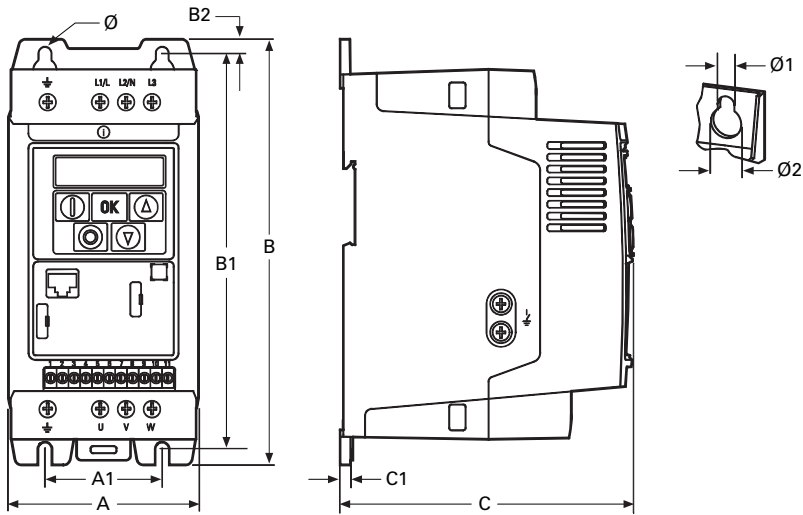
Adjustable Frequency Drives

PowerXL DA1 Series Drives

Dimensions

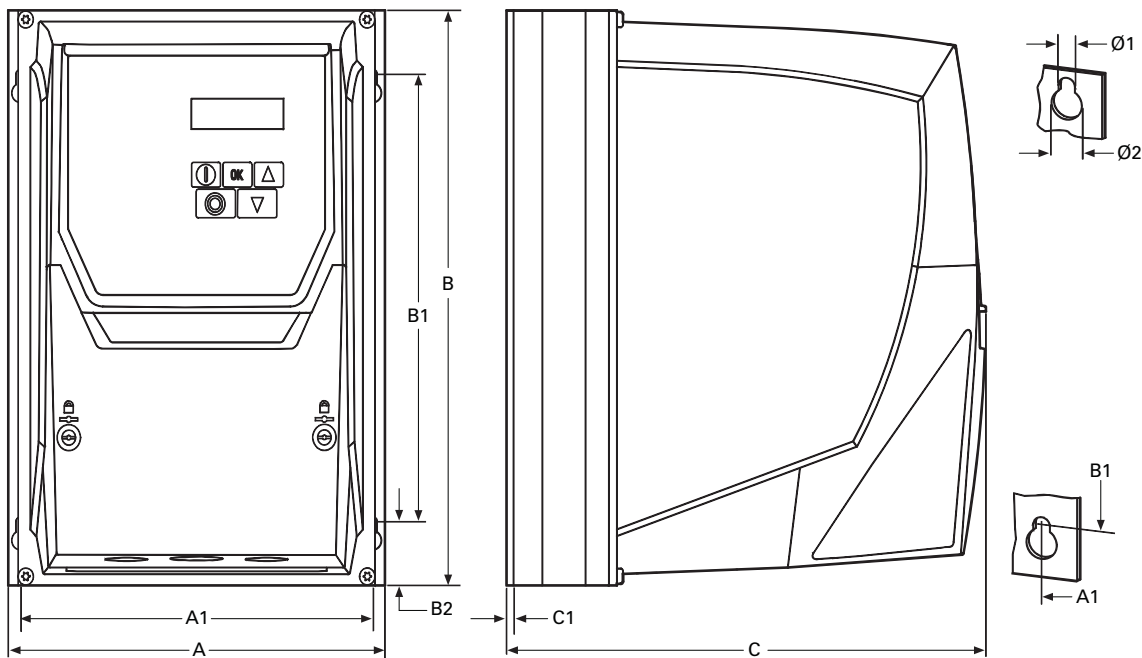
Approximate Dimensions in Inches (mm)

2 DA1, Sizes FS2 and FS3, Degree of Protection IP20/NEMA 0



Frame Size	A	A1	B	B1	B2	C	C1	Ø1	Ø2	Weight lbs (kg)
FS2	4.21 (107.0)	2.95 (75.0)	9.09 (231.0)	8.46 (215.0)	0.31 (8.0)	7.32 (186.0)	0.20 (5.0)	0.24 (6.0)	0.47 (12.0)	3.97 (1.8)
FS3	5.16 (131.0)	3.94 (100.0)	10.75 (273.0)	10.04 (255.0)	0.33 (8.5)	8.03 (204.0)	0.20 (5.0)	0.24 (6.0)	0.47 (12.0)	7.72 (3.5)

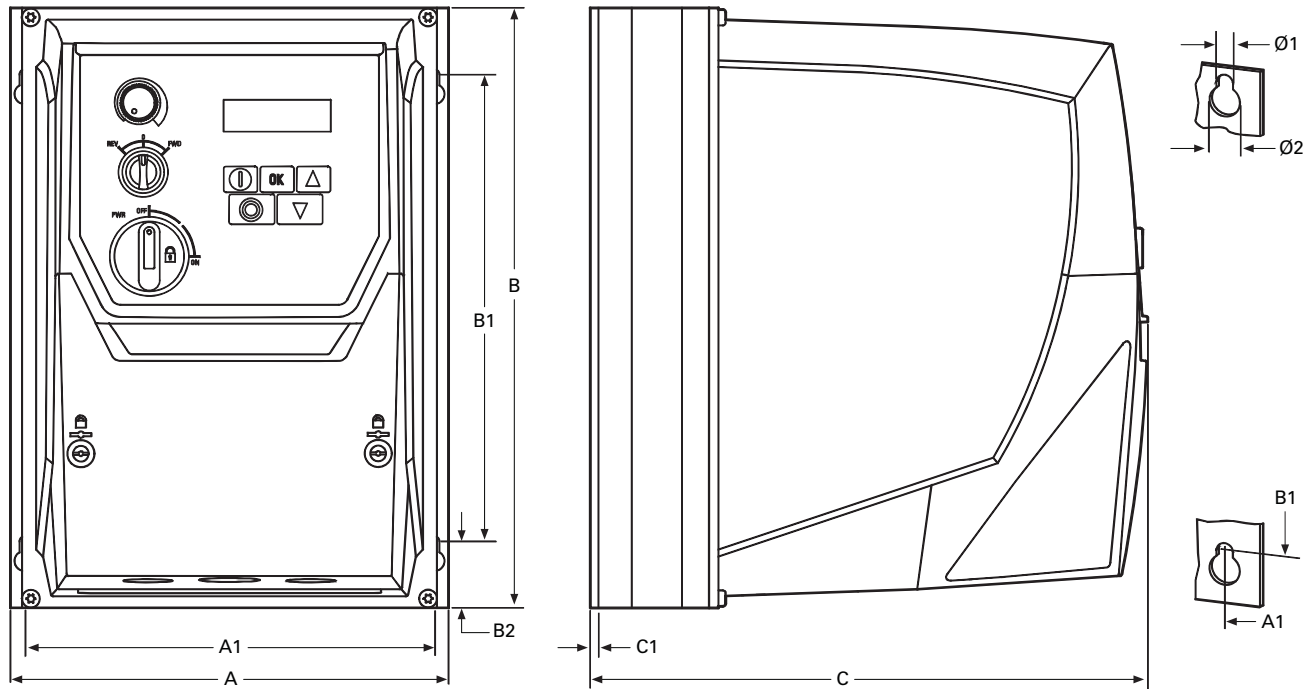
DA1, Sizes FS2 and FS3, Degree of Protection IP66/NEMA 4



Frame Size	A	A1	B	B1	B2	C	C1	Ø1	Ø2	Weight lbs (kg)
FS2	7.40 (188.0)	6.93 (176.0)	10.12 (257.0)	7.87 (200.0)	0.79 (20.0)	9.42 (239.3)	0.14 (3.5)	0.16 (4.2)	0.33 (8.5)	10.4 (4.5)
FS3	8.29 (211.0)	7.78 (198.0)	12.20 (310.0)	9.90 (252.0)	0.98 (25.0)	10.48 (266.3)	0.14 (3.5)	0.16 (4.2)	0.33 (8.5)	15.9 (7.0)

Approximate Dimensions in Inches (mm)

DA1, Sizes FS2 and FS3, Degree of Protection IP66/NEMA 4, with Local Controls



Frame Size	A	A1	B	B1	B2	C	C1	Ø1	Ø2	Weight lbs (kg)
FS2	7.40 (188.0)	6.93 (176.0)	10.12 (257.0)	7.87 (200.0)	0.79 (20.0)	9.42 (239.3)	0.14 (3.5)	0.16 (4.2)	0.33 (8.5)	10.6 (4.8)
FS3	8.29 (211.0)	7.78 (198.0)	12.20 (310.0)	9.90 (252.0)	0.98 (25.0)	10.48 (266.3)	0.14 (3.5)	0.16 (4.2)	0.33 (8.5)	16.1 (7.3)

M-Max Series Drives for Machinery Applications

2



Product Description

Eaton's M-Max™ Series Sensorless Vector Adjustable Frequency AC Drives are the next generation of drives specifically engineered for today's machinery applications. These micro-processor-based drives have standard features that can be programmed to tailor the drive's performance to suit a wide variety of application requirements. The M-Max product line uses a 32-bit microprocessor and insulated gate bipolar transistors (IGBTs) that provide quiet motor operation, high motor efficiency, and smooth low-speed performance. The size and simplicity of the M-Max make it ideal for hassle-free installation. Models rated at 575 volts, three-phase, 50/60 Hz are available in sizes ranging from 1 to 7-1/2 hp. Models rated at 480 volts, three-phase, 50/60 Hz are available in sizes ranging from 1/2 to 25 hp. Models rated at 240 volts, single- or three-phase, 50/60 Hz are available in sizes ranging from 1/4 to 15 hp. Models rated at 115 volts, single-phase, 50/60 Hz are available in the 1/4 to 1-1/2 hp size range.

The standard drive includes a digital display, and operating and programming keys on a visually appealing, efficient application programming interface. The display provides drive monitoring, as well as adjustment and diagnostic information. The keys are used for digital adjustment and programming of the drive, as well as for operator control. Separate terminal blocks for control and power wiring are provided for customer connections.

Contents

Description

	<i>Page</i>
M-Max Series Drives	
Standards and Certifications	V6-T2-37
Catalog Number Selection	V6-T2-37
Product Selection	V6-T2-38
Accessories	V6-T2-39
Technical Data and Specifications	V6-T2-42
Dimensions	V6-T2-44

Features

- Ease of use—preset application macros, startup wizard, diagnostic capabilities
- Compact, space-saving design
- Rugged and reliable—150% torque for one minute, 50C rated, conformal coated boards
- DIN rail and screw mountable
- Side-by-side installation
- Industry leading efficiency delivers energy savings to the customer
- Integrated 5% DC choke (FS4 and FS5)
- Integrated EMC filters make the unit suitable for commercial and industrial networks
- IP21 as standard, option for NEMA® 1 (FS4 and FS5)
- IP20 as standard, option for IP21 and NEMA 1 (FS1–FS3)
- Brake chopper as standard in three-phase, applications of frames 2 (FS2) and larger
- Temperature-controlled fan
- RS-485/Modbus® as standard
- PID controller as standard
- Several fieldbus options
 - PROFIBUS
 - DeviceNet
 - CANopen

Standards and Certifications

Product

- Complies with EN61800-3 (2004)

EMC (At Default Settings)

- EMC Category C2, C3, and C4 (Level H): With an internal RFI filter option

Safety^①

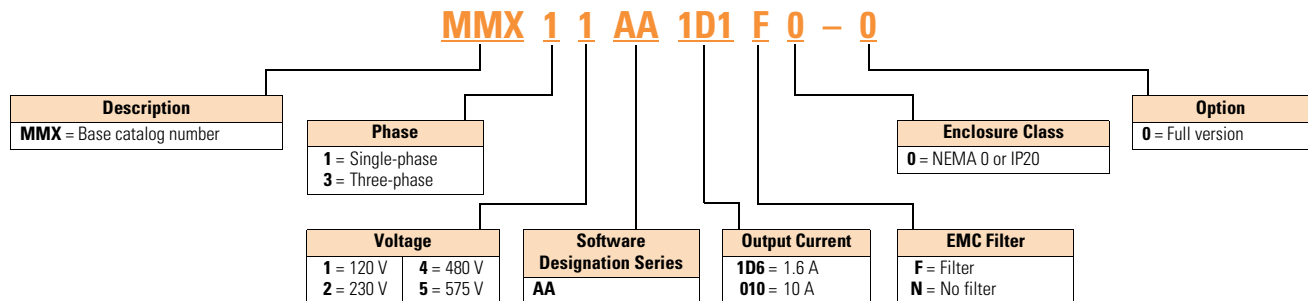
- 61800-5-1
- EN60204-1
- CE
- UL
- cUL
- IEC
- RoHS compliant



Note

- ^① See unit nameplate for more detailed approvals.

Catalog Number Selection



Product Selection

2

M-Max

M-Max Basic Controller



hp ^①	Volts ^②	100% Continuous Current I _n (A)	Nominal Input Current (A)	Frame Size	Catalog Number ^③	
1/4	100–120 V single-phase in 230 V three-phase out	1.7	9.2	FS2	MMX11AA1D7N0-0 ^④	
1/2		2.4	11.6		MMX11AA2D4N0-0 ^④	
3/4		2.8	12.4		MMX11AA2D8N0-0 ^④	
1		3.7	15		MMX11AA3D7N0-0 ^④	
1-1/2		4.8	16.5		FS3	MMX11AA4D8N0-0 ^④
1/4	200–240 V single-phase in 230 V three-phase out	1.7	4.2	FS1	MMX12AA1D7N0-0	
1/2		2.4	5.7		MMX12AA2D4N0-0	
3/4		2.8	6.6		MMX12AA2D8N0-0	
1		3.7	8.3		FS2	MMX12AA3D7N0-0
1-1/2		4.8	11.2		MMX12AA4D8N0-0	
2		7	14.1		MMX12AA7D0N0-0	
3		9.6	15.8	FS3	MMX12AA9D6N0-0	
1/4	200–240 V three-phase in 230 V three-phase out	1.7	2.7	FS1	MMX32AA1D7N0-0	
1/2		2.4	3.5		MMX32AA2D4N0-0	
3/4		2.8	3.8		MMX32AA2D8N0-0	
1		3.7	4.3		FS2	MMX32AA3D7N0-0
1-1/2		4.8	6.8		MMX32AA4D8N0-0	
2		7	8.4		MMX32AA7D0N0-0	
3		11	13.4	FS3	MMX32AA011N0-0	
5		17	17	FS4	MMX32AA017N0-0	
7-1/2		25	25		MMX32AA025N0-0	
10		31	31	FS5	MMX32AA031N0-0	
15		38	38		MMX32AA038N0-0	
1/2	380–480 V three-phase in 460 V three-phase out	1.3	2.2	FS1	MMX34AA1D3N0-0	
3/4		1.9	2.8		MMX34AA1D9N0-0	
1		2.4	3.2		MMX34AA2D4N0-0	
1-1/2		3.3	4		FS2	MMX34AA3D3N0-0
2		4.3	5.6		MMX34AA4D3N0-0	
3		5.6	7.3		MMX34AA5D6N0-0	
4		7.6	9.6	FS3	MMX34AA7D6N0-0	
5		9	11.5		MMX34AA9D0N0-0	
7-1/2		12	14.9		MMX34AA012N0-0	
10		14	18.7		MMX34AA014N0-0	
10		16	16	FS4	MMX34AA016N0-0	
15		23	23		MMX34AA023N0-0	
20		31	31	FS5	MMX34AA031N0-0	
25		38	38		MMX34AA038N0-0	
1	575 V three-phase in 575 V three-phase out	1.7	2.0	FS3	MMX35AA1D7N0-0 ^⑤	
2		2.7	3.6		MMX35AA2D7N0-0 ^⑤	
3		3.9	5.0		MMX35AA3D9N0-0 ^⑤	
5		6.1	7.6		MMX35AA6D1N0-0 ^⑤	
7-1/2		9.0	10.4		MMX35AA9D0N0-0 ^⑤	

Notes

- ① Horsepower ratings are based on the use of a 240 V, 460 V, and 575 V NEMA B, four- or six-pole squirrel cage induction motor and are for reference only. Units are to be selected such that the motor current is less than or equal to the MMX rated continuous output current.
- ② For 208 V, 380 V, or 415 V applications, select the unit such that the motor current is less than or equal to the MMX rated continuous output current.
- ③ For EMC filtered unit, replace “NO-0” with “FO-0”.
- ④ EMC filters are not available on MMX11 units.
- ⑤ All 575 V units come with EMC filter standard.

Accessories

M-Max Copy/Paste Module

Description	Catalog Number
Module is plugged onto the front of the drive to provide: upload/download of all parameters, direct link to a PC via USB interface for parameter assignment via MaxConnect software, and copying of parameters for a series of devices or when exchanging devices. No PC required	MMX-COM-PC

PC Cable

Description	Catalog Number
Remote download USB to RJ-45 cable with software driver disk	REM-USB-DOWN

NEMA Type 1 Kits ^①

Description	Catalog Number
NEMA Type 1 and IP21 kit for frame 1	MMX-IP21-FS1
NEMA Type 1 and IP21 kit for frame 2	MMX-IP21-FS2
NEMA Type 1 and IP21 kit for frame 3	MMX-IP21-FS3
NEMA Type 1 for frame 4	MMX-CKIT-FS4
NEMA Type 1 for frame 5	MMX-CKIT-FS5

Optional Communication Modules

Network cards require communication adapter.

Description	Catalog Number
Communication adapter kit (FS1–FS3)	MMX-NET-XA
PROFIBUS DP network card with serial connection ^②	XXM-NET-PS-A
PROFIBUS DP network card with Sub-D connection ^②	XXM-NET-PD-A
DeviceNet network card ^②	XXM-NET-DN-A
CANopen network card ^②	XXM-NET-CO-A

Remote Keypad ^③

There are three components needed for a full remote keypad.

Description	Catalog Number
Bezel and cable	OPTRMT-BP-HMAX ^③
Remote copy/paste keypad	MMX-REMKEY-TEXT ^③
VFD adapter	MMX-ADAPTER-RJ45 ^③

Notes

- ^① NEMA Type 1 kit provides conduit entry plate.
- ^② Requires communication adapter kit.
- ^③ All three components are required for remote keypad operation.

2.5

Adjustable Frequency Drives

M-Max Series Drives

2

Line and Load Reactors

A line and load reactor is a three-phase inductance filter that can be placed on the line and load side of the AFD to help improve the harmonic performance of the system. Consult the factory for additional filtering options and further technical details.

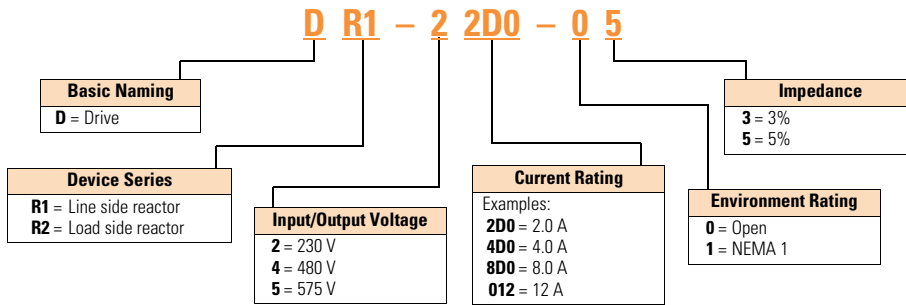
DR1 Line Reactor

A line reactor helps to provide a moderate reduction in current harmonics similar to a DC choke. It also provides increased input protection for AFD and its semiconductors from line transients helping to extend the life of the AFD.

DR2 Output Reactor

An output filter is used to reduce the transient voltage (dV/dt) at the motor terminals. The output filter is recommended for cable lengths exceeding 100 ft (30 m) with a drive of 3 hp and above and for cable lengths of 33 ft (10 m) with a drive of 2 hp and below.

Line and Load Reactors—Catalog Number Selection



Line and Load Reactors—230 V

hp (CT)	Open Load Reactor		Line Reactor		NEMA 1 Load Reactor		Line Reactor	
	3%	5%	3%	5%	3%	5%	3%	5%
0.33	DR2-22D0-03	DR2-22D0-05	DR1-21D7-03	DR1-21D7-05	DR2-22D0-13	DR2-22D0-15	DR1-21D7-13	DR1-21D7-15
0.5	DR2-22D0-03	DR2-22D0-05	DR1-22D2-03	DR1-22D2-05	DR2-22D0-13	DR2-22D0-15	DR1-22D2-13	DR1-22D2-15
0.75	DR2-24D0-03	DR2-24D0-05	DR1-23D2-03	DR1-23D2-05	DR2-24D0-13	DR2-24D0-15	DR1-23D2-13	DR1-23D2-15
1	DR2-24D0-03	DR2-28D0-05	DR1-24D2-03	DR1-24D2-05	DR2-24D0-13	DR2-28D0-15	DR1-24D2-13	DR1-24D2-15
1.5	DR2-28D0-03	DR2-28D0-05	DR1-26D0-03	DR1-26D0-05	DR2-28D0-13	DR2-28D0-15	DR1-26D0-13	DR1-26D0-15
2	DR2-28D0-03	DR2-28D0-05	DR1-26D8-03	DR1-26D8-05	DR2-28D0-13	DR2-28D0-15	DR1-26D8-13	DR1-26D8-15
3	DR2-2012-03	DR2-2012-05	DR1-29D6-03	DR1-29D6-05	DR2-2012-13	DR2-2012-15	DR1-29D6-13	DR1-29D6-15
5	DR2-2018-03	DR2-2018-05	DR1-2015-03	DR1-2015-05	DR2-2018-13	DR2-2018-15	DR1-2015-13	DR1-2015-15
7.5	DR2-2025-03	DR2-2025-05	DR1-2022-03	DR1-2022-05	DR2-2025-13	DR2-2025-15	DR1-2022-13	DR1-2022-15
10	DR2-2035-03	DR2-2035-05	DR1-2028-03	DR1-2028-05	DR2-2035-13	DR2-2035-15	DR1-2028-13	DR1-2028-15
15	DR2-2045-03	DR2-2045-05	DR1-2042-03	DR1-2042-05	DR2-2045-13	DR2-2045-15	DR1-2042-13	DR1-2042-15

Line and Load Reactors—480 V

hp (CT)	Open Load Reactor		Line Reactor		NEMA 1 Load Reactor		Line Reactor	
	3%	5%	3%	5%	3%	5%	3%	5%
0.5	DR2-41D0-03	DR2-41D0-05	DR1-41D1-03	DR1-41D1-05	DR2-41D0-13	DR2-41D0-15	DR1-41D1-13	DR1-41D1-15
0.75	DR2-42D0-03	DR2-42D0-05	DR1-41D6-03	DR1-41D6-05	DR2-42D0-13	DR2-42D0-15	DR1-41D6-13	DR1-41D6-15
1	DR2-42D0-03	DR2-42D0-05	DR1-42D1-03	DR1-42D1-05	DR2-42D0-13	DR2-42D0-15	DR1-42D1-13	DR1-42D1-15
1.5	DR2-44D0-03	DR2-44D0-05	DR1-43D0-03	DR1-43D0-05	DR2-44D0-13	DR2-44D0-15	DR1-43D0-13	DR1-43D0-15
2	DR2-44D0-03	DR2-44D0-05	DR1-43D4-03	DR1-43D4-05	DR2-44D0-13	DR2-44D0-15	DR1-43D4-13	DR1-43D4-15
3	DR2-48D0-03	DR2-48D0-05	DR1-44D8-03	DR1-44D8-05	DR2-48D0-13	DR2-48D0-15	DR1-44D8-13	DR1-44D8-15
5	DR2-48D0-03	DR2-48D0-05	DR1-47D6-03	DR1-47D6-05	DR2-48D0-13	DR2-48D0-15	DR1-47D6-13	DR1-47D6-15
7.5	DR2-4012-03	DR2-4012-05	DR1-4011-03	DR1-4011-05	DR2-4012-13	DR2-4012-15	DR1-4011-13	DR1-4011-15
10	DR2-4018-03	DR2-4018-05	DR1-4014-03	DR1-4014-05	DR2-4018-13	DR2-4018-15	DR1-4014-13	DR1-4014-15
15	DR2-4025-03	DR2-4025-05	DR1-4021-03	DR1-4021-05	DR2-4025-13	DR2-4025-15	DR1-4021-13	DR1-4021-15
20	DR2-4025-03	DR2-4025-05	DR1-4027-03	DR1-4027-05	DR2-4025-13	DR2-4025-15	DR1-4027-13	DR1-4027-15
25	DR2-4035-03	DR2-4035-05	DR1-4034-03	DR1-4034-05	DR2-4035-13	DR2-4035-15	DR1-4034-13	DR1-4034-15

Line and Load Reactors—575 V

hp (CT)	Open Load Reactor		Line Reactor		NEMA 1 Load Reactor		Line Reactor	
	3%	5%	3%	5%	3%	5%	3%	5%
1	DR2-52D0-03	DR2-52D0-05	DR1-51D7-03	DR1-51D7-05	DR2-52D0-13	DR2-52D0-15	DR1-51D7-13	DR1-51D7-15
2	DR2-54D0-03	DR2-54D0-05	DR1-43D4-03	DR1-52D7-05	DR2-54D0-13	DR2-54D0-15	DR1-52D7-13	DR1-52D7-15
3	DR2-54D0-03	DR2-54D0-05	DR1-53D9-03	DR1-53D9-05	DR2-54D0-13	DR2-54D0-15	DR1-53D9-13	DR1-53D9-15
5	DR2-58D0-03	DR2-58D0-05	DR1-56D1-03	DR1-56D1-05	DR2-58D0-13	DR2-58D0-15	DR1-56D1-13	DR1-56D1-15
7.5	DR2-58D0-03	DR2-58D0-05	DR1-59D0-03	DR1-59D0-05	DR2-58D0-13	DR2-58D0-15	DR1-59D0-13	DR1-59D0-15

Technical Data and Specifications

Ratings

M-Max Basic Controller IP20 Standard Ratings

Description	Specification
Protections	
Overcurrent protection	Trip limit $4.0 \times I_{fl}$ instantaneously
Overvoltage protection	115/230 V series: 437 Vdc; 400 V series: 874 Vdc; 575 V series: 1048 Vdc trip level
Undervoltage protection	115/230 V series: 183 Vdc; 400 V series: 333 Vdc; 575 V series: 460 Vdc trip level
Ground fault protection	Ground fault is tested before every start. In case of ground fault in motor or motor cable, only the frequency converter is protected
Overtemperature protection	Yes
Motor overload protection	Yes
Motor stall protection	Yes
Motor underload protection	Yes
Short-circuit protection	100 kAIC with Type J fuses

Programmable Parameters

Description
Application macros: basic, pump, fan and high load (hoist)
Programmable start/stop and reverse signal logic (sinking or sourcing)
Reference scaling
Programmable start and stop functions
DC-brake at start and stop
Programmable V/Hz curve
Adjustable switching frequency
Autorestart function after fault
Protections and supervisions (all fully programmable; off, warning, fault)
Current signal input fault
External fault
Fieldbus communication
Eight preset speeds
Analog input range selection, signal scaling and filtering
PID controller
Skip frequencies

Specifications

M-Max Series Drives

Description	Specification
Input Ratings	
Input voltage (V_{in})	+10%/–15%
Input frequency (f_{in})	50/60 Hz (variation up to 45–66 Hz)
Connection to power	Once per minute or less (typical operation)
Output Ratings	
Output voltage	0 to V_{in} ①
Continuous output current	Continuous rated current I_N at ambient temperature max. 122 °F (50 °C), overload $1.5 \times I_N$ max. 1 min/10 min
Output frequency	0 to 320 Hz
Frequency resolution	0.01 Hz
Initial output current (I_{fl})	Current $2 \times I_N$ for 2 seconds in every 20-second period Torque depends on motor
Control Characteristics	
Control method	Frequency control (V/Hz) open loop or sensorless vector control
Switching frequency	1.5 to 16 kHz; default 4 kHz
Frequency reference	Analog input: resolution 0.1% (10-bit), accuracy $\pm 1\%$ V/Hz Panel reference: resolution 0.01 Hz
Field weakening point	30 to 320 Hz
Acceleration time	0 to 3000 sec
Deceleration time	0 to 3000 sec
Braking torque	DC brake: $30\% \times T_n$ (without brake option)
Brake Resistor (Minimum Values) ②	
230 V Series	FS2 35 ohms and FS3 26 ohms, FS4 14 ohms, FS5 9 ohms
400 V Series	FS2 75 ohms and FS3 54 ohms, FS4 28 ohms, FS5 17 ohms
575 V Series	FS3 103 ohms
Ambient Conditions	
Ambient operating temperature	14 °F (–10 °C), no frost to 122 °F (+50 °C): Rated loadability I_N
Storage temperature	–40 °F (–40 °C) to 158 °F (70 °C)
Relative humidity	0 to 95% RH, noncondensing, non-corrosive, no dripping water
Air quality	Chemical vapors: IEC 721-3-3, unit in operation, Class 3C2; Mechanical particles: IEC 721-3-3, unit in operation, Class 3S2
Altitude	100% load capacity (no derating) up to 3280 ft (1000 m); 1% derating for each 328 ft (100 m) above 3280 ft (1000 m); max. 6560 ft (2000 m)
Vibration	EN 60068-2-6; 3 to 150 Hz, displacement amplitude 1 mm (peak) at 3 to 15.8 Hz, max. acceleration amplitude 1G at 15.8 to 150 Hz
Shock	EN 50178, IEC 68-2-27 UPS Drop test (for applicable UPS weights); storage and shipping: max. 15 g, 11 ms (in package)
Enclosure class	IP20 (FS1–FS3) IP21 (FS4 and FS5)

Notes

- ① Exception: 115 V single-phase in, 230 V three-phase out.
- ② Only three-phase FS2 and FS3 drives are equipped with brake chopper circuit.

Standards

I/O Specifications

- Digital inputs DI1–DI6 are freely programmable. The user can assign multiple functions to a single input
- Digital, relay, and analog outputs are freely programmable

Includes:

- Six digital inputs
- Two analog inputs
 - 4–20 mA
 - 0–10 V
- One analog output
- One digital output
- Two relay outputs
- RS-485 interface

Reliability

- Pretested components
- Computerized testing
- Final test with full load
- Conformal-coated boards
- Eaton's Electrical Services & Systems: national network of AF drive specialists

M-Max I/O Interface

Terminal	Signal	Factory Preset	Description
1	+10 V	—	Ref. output voltage
2	AI1	Freq. reference ^{P1}	0–+10 V Ri = 200k ohms [min.]
3	GND	—	I/O signal ground
6	24 V	—	24 V output for DIs
7	GND	—	I/O signal ground
8	DI1	Start forward ^{P1}	0–+30 V Ri = 12k ohms min.
9	DI2	Start reverse ^{P1}	—
10	DI3	Preset speed ^{P1}	—
A	A	FB communication	—
B	B	FB communication	—
4	AI2	PI actual value ^{P1}	0[4]–20 mA, Ri = 200k ohms
5	GND	—	I/O signal ground
13	GND	—	I/O signal ground
14	DI4	Preset speed B1 ^{P1}	0–+30 V Ri = 12k ohms min.
15	DI5	Fault reset ^{P1}	0–+30 V Ri = 12k ohms min.
16	DI6	Disable PI contr. ^{P1}	0–+30 V Ri = 12k ohms min.
18	A0	Output frequency ^{P1}	0[2]–10 V, RL = 500 ohms
20	D0	Digital signal out	Active = READY ^{P1}
22	R011	Relay out 1	Active = RUN ^{P1}
23	R012		
24	R021	Relay out 2	Active = FAULT ^{P1}
25	R022		
26	R023		

Note

^{P1} Parameter-selectable function.

2.5

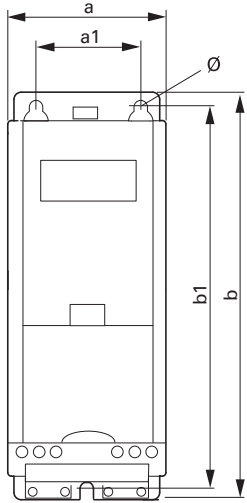
Adjustable Frequency Drives

M-Max Series Drives

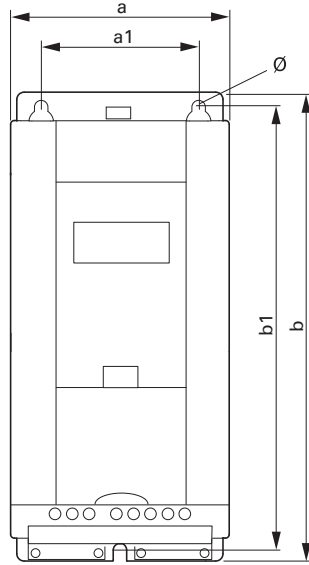
Dimensions

Approximate Dimensions in Inches (mm)

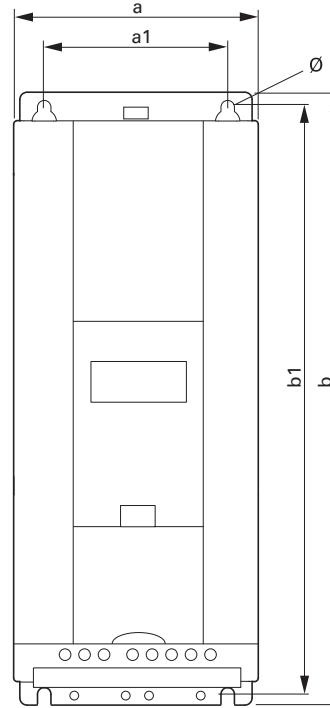
2 Dimensions and Frame Sizes, FS1–FS3 (FS = Frame Size)



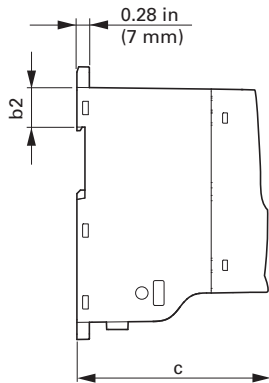
FS1



FS2

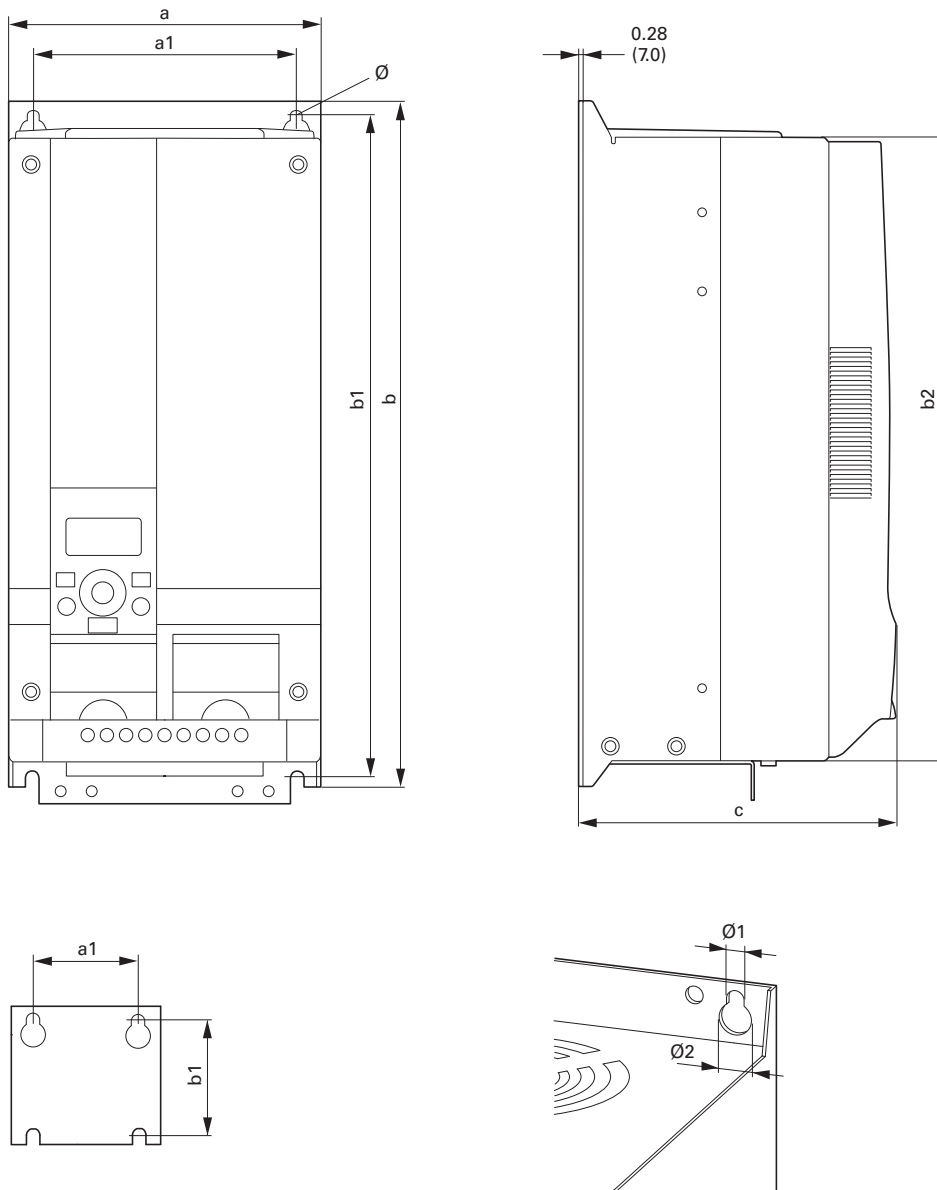


FS3



Approximate Dimensions in Inches (mm)

Dimensions and Frame Sizes, FS4 and FS5 (FS = Frame Size)



Dimensions and Frame Sizes

Approximate Dimensions in inches (mm)

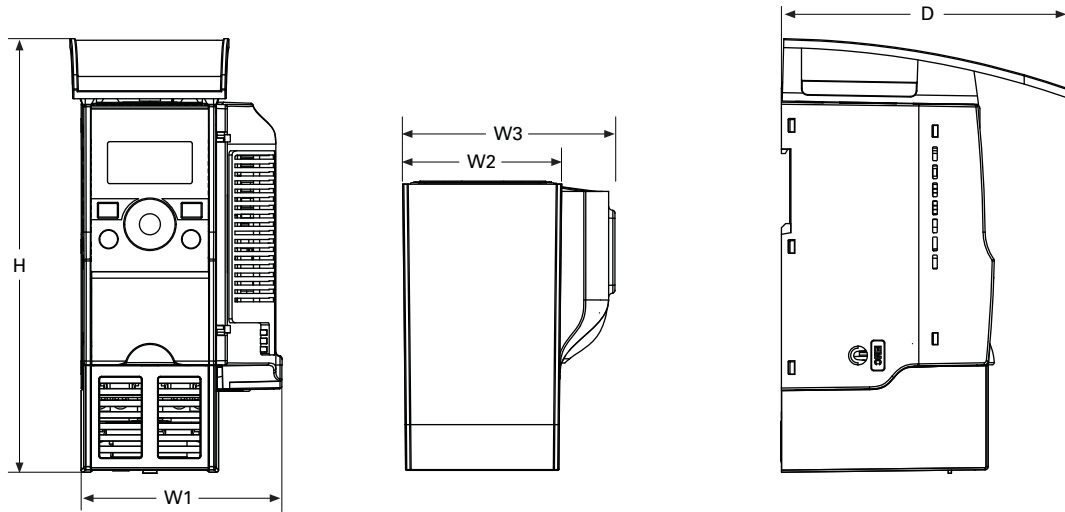
Part Number	a	a1	b	b1	b2	c	Ø, Ø1	Ø2	Installation Size
MMX12AA1D7_	2.60	1.50	6.30	5.79	1.26	4.02	0.18	—	FS1
MMX12AA2D4_	(66)	(38)	(160)	(147)	(32)	(102)	(4.5)		
MMX12AA2D8_									
MMX32AA1D7_									
MMX32AA2D4_									
MMX32AA2D8_									
MMX34AA1D3_									
MMX34AA1D9_									
MMX34AA2D4_									
MMX11AA1D7_	3.54	2.46	7.68	7.17	1.26	4.14	2.17	—	FS2
MMX11AA2D4_	(90)	(62.5)	(195)	(182)	(32)	(105)	(5.5)		
MMX11AA2D8_									
MMX11AA3D7_									
MMX12AA3D7_									
MMX12AA4D8_									
MMX12AA7D0_									
MMX32AA3D7_									
MMX32AA4D8_									
MMX32AA7D0_									
MMX34AA3D3_									
MMX34AA4D3_									
MMX34AA5D6_									
MMX11AA4D8_	3.94	2.95	9.96	9.53	1.34	4.41	2.17	—	
MMX12AA9D6_	(100)	(75)	(253)	(242)	(34)	(112)	(5.5)		
MMX32AA011_									
MMX34AA7D6_									
MMX34AA9D0_									
MMX34AA012_									
MMX34AA014_									
MMX35AA1D7_									
MMX35AA2D7_									
MMX35AA3D9_									
MMX35AA6D1_									
MMX35AA9D0_									
MMX32AA012_	6.50	5.51	14.57	13.82	13.27	6.61	0.28	0.55	
MMX32AA017_	(165.0)	(140.0)	(370.0)	(351.0)	(337.0)	(168.0)	(7.0)	(14.0)	
MMX32AA025_									
MMX34AA016_									
MMX34AA023_									
MMX32AA031_	6.50	5.51	16.30	15.67	15.08	8.07	0.28	0.55	FS5
MMX32AA038_	(165.0)	(140.0)	(414.0)	(398.0)	(383.0)	(205.0)	(7.0)	(14.0)	
MMX34AA031_									
MMX34AA038_									

Note

1 in = 25.4 mm, 1 mm = 0.0394 in

Approximate Dimensions in Inches (mm)

NEMA 1/IP21 M-Max Drives and Communication Adapter Kit



Frame Type	H	W1	W2	W3	D
FS1	8.14 (206.7)	3.77 (95.7)	2.99 (75.9)	3.98 (101.2)	5.41 (137.5)
FS2	9.90 (251.5)	4.72 (120.0)	3.97 (100.8)	4.94 (125.5)	5.68 (144.2)
FS3	12.26 (311.5)	5.12 (130.1)	4.36 (110.8)	5.33 (135.3)	6.32 (160.5)
FS4	16.40 (416.6)	—	6.50 (165.0)	—	6.61 (166.0)
FS5	18.10 (460.1)	—	6.50 (165.0)	—	8.07 (205.0)

DG1 General Purpose Drive

2



Contents

Description	Page
PowerXL DG1 Series Drives	
Standards and Certifications	V6-T2-49
Catalog Number Selection	V6-T2-49
Product Selection	V6-T2-50
Accessories	V6-T2-56
Replacement Parts	V6-T2-63
Technical Data and Specifications	V6-T2-67
Dimensions	V6-T2-73
PowerXL DG1 Series Enclosed Drives	V6-T2-74

PowerXL DG1 Series Drives

Product Description

The DG1 general purpose drives are part of Eaton's next generation PowerXL Series of adjustable frequency drives specifically engineered for today's more demanding commercial and industrial applications. The power unit makes use of the most sophisticated semiconductor technology and a highly modular construction that can be flexibly adapted to meet the customer's needs.

The control module was designed to include today's standard communication protocols and I/O while still having the modularity to add additional option cards.

Eaton's patented Active Energy Control is also a standard feature on DG1 drives, offering customers increased efficiency, safety and reliability.

These drives continue the tradition of robust performance and raise the bar on features and functionality, ensuring the best solution at the right price.

Product Range

230 V to 125 hp, 312 A, 90 kW

480 V to 1000 hp, 1180 A, 630 kW

575 V to 800 hp, 820 A, 597 kW

Features and Benefits

Hardware

- Brake chopper standard on Frames 0, 1, 2, 3
- Dual overload ratings
 - 110% variable torque (I_L)
 - 150% constant torque (I_H)
- Open Type/IP00 or IP20 or Type 1/IP21 or Type 12/IP54 enclosures available
- Integrated common mode reduction 5% DC link choke with input surge protection
- EMI/RFI filters standard on all drives—meets EMC Category C2
- Real-time clock—supports calendaring and PLC functionality
- Graphic LCD display and keypad—supports simple menu navigation as well as on-screen diagnostics and troubleshooting
- LOCAL/REMOTE operation from keypad and two configurable soft keys
- Conformal coated control and power boards standard

- Control logic can be powered from an external auxiliary control panel—internal drive functions and fieldbus if necessary
- Standard I/O:
 - 8DI, 1DO
 - 2AI, 2AO
 - 2FC, 1FA relays
- Standard communications:
 - EtherNet/IP, ModbusTCP
 - RS-485: Modbus RTU, BACnet MS/TP
- Seamless integration into EtherNet/IP networks via EIP-Assist I/O tag-generation tool
- Two expansion slots—intended to support additional I/O or communication protocols as necessary
- Quick disconnect terminals for I/O connections—supports fast easy installation
- Safe Torque Off (STO) built-in with functional safety SIL1 certification

Software

- Active energy control—minimizes energy losses in your motor, resulting in industry-leading energy efficiency for your application
- Quick Start Wizard upon initial power-up supports fast, easy installation
- Standard applications:
 - Standard
 - Multi-pump and fan Control
 - Multi-PID
 - Multi-purpose
- Copy/paste functionality on drive keypad—allows for fast setup of multiple drives
- Pre-programmed I/O—supports fast, easy installation for most applications
- Dynamic motor regenerative energy management
- Advanced PC Tool with diagnostic capabilities
- Two keypad software keys for easy menu navigation and shortcuts

Standards and Certifications

Product

- IEC/EN 61800-5-1
- IEC/EN 61800-5-2
- UL 508C
- IEC 61508
- EN 62061
- EN ISO 13849-1

EMC

- Immunity: IEC/EN 61800-3
- Category C2

Certification

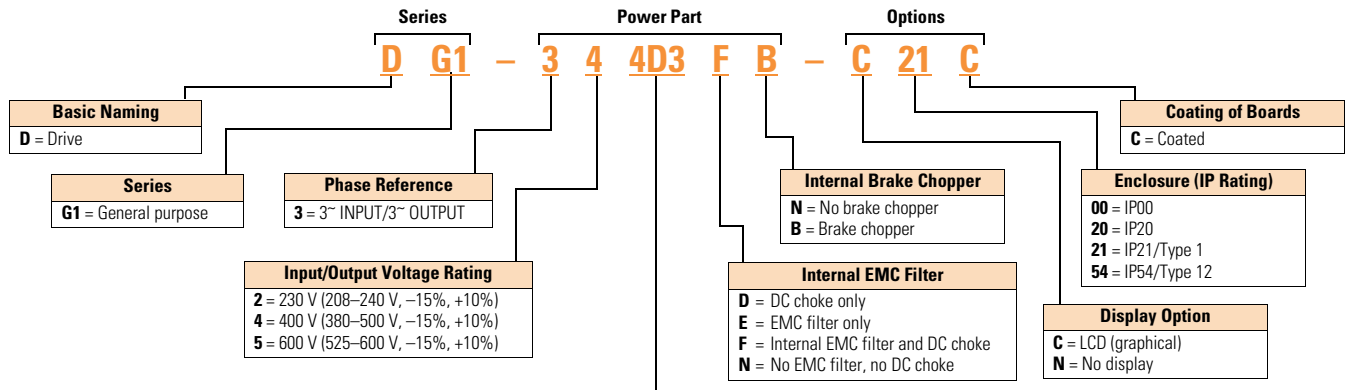
- UL
- cUL
- CE
- C-Tick
- RoHS
- EAC
- Plenum rated



Catalog Number Selection

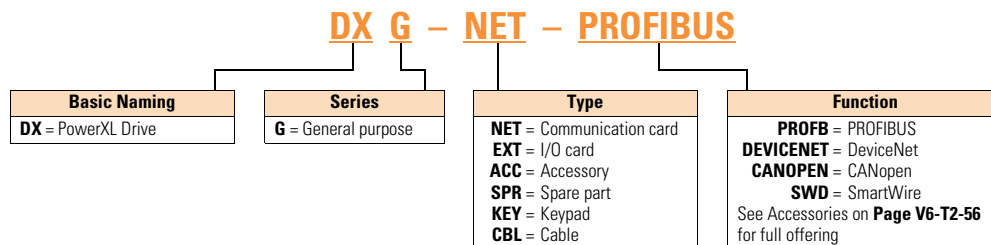
Catalog Number Selection is for illustrative purposes only and not to be used to create new catalog numbers.

PowerXL Series—DG1 General Purpose Drive



Output Current Rating (CT)			
208–240 V	380–500 V		525–600 V
3D7 = 3.7 A, 0.55 kW, 0.75 hp	2D2 = 2.2 A, 0.75 kW, 1 hp	105 = 105 A, 55 kW, 75 hp	3D3 = 3.3 A, 1.5 kW, 2 hp
4D8 = 4.8 A, 0.75 kW, 1 hp	3D3 = 3.3 A, 1.1 kW, 1.5 hp	140 = 140 A, 75 kW, 100 hp	4D5 = 4.5 A, 2.2 kW, 3 hp
6D6 = 6.6 A, 1.1 kW, 1.5 hp	4D3 = 4.3 A, 1.5 kW, 2 hp	170 = 170 A, 90 kW, 125 hp	7D5 = 7.5 A, 3.7 kW, 5 hp
7D8 = 7.8 A, 1.5 kW, 2 hp	5D6 = 5.6 A, 2.2 kW, 3 hp	205 = 205 A, 110 kW, 150 hp	010 = 10 A, 5.5 kW, 7.5 hp
011 = 11 A, 2.2 kW, 3 hp	7D6 = 7.6 A, 3 kW, 5 hp	245 = 245 A, 132 kW, 200 hp	013 = 13.5 A, 7.5 kW, 10 hp
012 = 12.5 A, 3 kW, 4 hp	9D0 = 9 A, 4 kW, 7.5 hp (VT)	310 = 310 A, 160 kW, 250 hp	018 = 18 A, 11 kW, 15 hp
017 = 17.5 A, 3.7 kW, 5 hp	012 = 12 A, 5.5 kW, 7.5 hp	385 = 385 A, 200 kW, 300 hp	022 = 22 A, 15 kW, 20 hp
025 = 25 A, 5.5 kW, 7.5 hp	016 = 16 A, 7.5 kW, 10 hp	460 = 460 A, 250 kW, 350 hp	027 = 27 A, 18.5 kW, 25 hp
031 = 31 A, 7.5 kW, 10 hp	023 = 23 A, 11 kW, 15 hp	520 = 520 A, 250 kW, 450 hp	034 = 34 A, 22 kW, 30 hp
048 = 48 A, 11 kW, 15 hp	031 = 31 A, 15 kW, 20 hp	590 = 590 A, 315 kW, 500 hp	041 = 41 A, 30 kW, 40 hp
061 = 61 A, 15 kW, 20 hp	038 = 38 A, 18.5 kW, 25 hp	650 = 650 A, 355 kW, 500 hp	052 = 52 A, 37 kW, 50 hp
075 = 75 A, 18.5 kW, 25 hp	046 = 46 A, 22 kW, 30 hp	730 = 730 A, 400 kW, 600 hp	062 = 62 A, 45 kW, 60 hp
088 = 88 A, 22 kW, 30 hp	061 = 61 A, 30 kW, 40 hp	820 = 820 A, 450 kW, 700 hp	080 = 80 A, 55 kW, 75 hp
114 = 114 A, 30 kW, 40 hp	072 = 72 A, 37 kW, 50 hp	920 = 920 A, 500 kW, 800 hp	100 = 100 A, 75 kW, 100 hp
143 = 143 A, 37 kW, 50 hp	087 = 87 A, 45 kW, 60 hp	1K0 = 1180 A, 630 kW, 1000 hp (VT)	125 = 125 A, 90 kW, 125 hp
170 = 170 A, 45 kW, 60 hp			144 = 144 A, 110 kW, 150 hp
211 = 211 A, 55 kW, 75 hp			208 = 208 A, 132 kW, 200 hp
248 = 248 A, 75 kW, 100 hp			261 = 261 A, 187 kW, 250 hp
			325 = 325 A, 224 kW, 300 hp
			385 = 385 A, 224 kW, 300 hp
			416 = 416 A, 298 kW, 400 hp
			460 = 460 A, 336 kW, 450 hp
			520 = 520 A, 373 kW, 500 hp
			590 = 590 A, 448 kW, 600 hp
			650 = 650 A, 485 kW, 650 hp
			820 = 820 A, 597 kW, 800 hp (VT)

PowerXL Series—DG1 General Purpose Drive Option Boards



2.6

Adjustable Frequency Drives

PowerXL DG1 Series Drives

Product Selection

2

DG1 Series Drives—208–240 Volt

PowerXL Series—DG1

IP20



Frame Size	Constant Torque (CT) / High Overload (I _H)			Variable Torque (VT) / Low Overload (I _L)			Catalog Number
	230 V, 50 Hz kW Rating	230 V, 60 Hz hp	Current A	230 V, 50 Hz kW Rating	230 V, 60 Hz hp	Current A	
FR0	0.55	0.75	3.7	0.75	1	4.8	DG1-323D7EB-C20C
	0.75	1	4.8	1.1	1.5	6.6	DG1-324D8EB-C20C
	1.1	1.5	6.6	1.5	2	7.8	DG1-326D6EB-C20C

PowerXL Series—DG1

Type 1/IP21



Frame Size	Constant Torque (CT) / High Overload (I _H)			Variable Torque (VT) / Low Overload (I _L)			Catalog Number
	230 V, 50 Hz kW Rating	230 V, 60 Hz hp	Current A	230 V, 50 Hz kW Rating	230 V, 60 Hz hp	Current A	
FR1	0.55	0.75	3.7	0.75	1	4.8	DG1-323D7FB-C21C
	0.75	1	4.8	1.1	1.5	6.6	DG1-324D8FB-C21C
	1.1	1.5	6.6	1.5	2	7.8	DG1-326D6FB-C21C
	1.5	2	7.8	2.2	3	11	DG1-327D8FB-C21C
	2.2	3	11	3	—	12.5	DG1-32011FB-C21C
FR2	3	—	12.5	3.7	5	17.5	DG1-32012FB-C21C
	3.7	5	17.5	5.5	7.5	25	DG1-32017FB-C21C
	5.5	7.5	25	7.5	10	31	DG1-32025FB-C21C
FR3	7.5	10	31	11	15	48	DG1-32031FB-C21C
	11	15	48	15	20	61	DG1-32048FB-C21C
FR4	15	20	61	18.5	25	75	DG1-32061FN-C21C
	18.5	25	75	22	30	88	DG1-32075FN-C21C
	22	30	88	30	40	114	DG1-32088FN-C21C
FR5	30	40	114	37	50	143	DG1-32114FN-C21C
	37	50	143	45	60	170	DG1-32143FN-C21C
	45	60	170	55	75	211	DG1-32170FN-C21C
FR6	55	75	211	75	100	261	DG1-32211FN-C21C
	75	100	248	90	125	312	DG1-32248FN-C21C

PowerXL Series—DG1

Type 12/IP54



Frame Size	Constant Torque (CT) / High Overload (I _H)			Variable Torque (VT) / Low Overload (I _L)			Catalog Number
	230 V, 50 Hz kW Rating	230 V, 60 Hz hp	Current A	230 V, 50 Hz kW Rating	230 V, 60 Hz hp	Current A	
FR1	0.55	0.75	3.7	0.75	1	4.8	DG1-323D7FB-C54C
	0.75	1	4.8	1.1	1.5	6.6	DG1-324D8FB-C54C
	1.1	1.5	6.6	1.5	2	7.8	DG1-326D6FB-C54C
	1.5	2	7.8	2.2	3	11	DG1-327D8FB-C54C
	2.2	3	11	3	—	12.5	DG1-32011FB-C54C
FR2	3	—	12.5	3.7	5	17.5	DG1-32012FB-C54C
	3.7	5	17.5	5.5	7.5	25	DG1-32017FB-C54C
	5.5	7.5	25	7.5	10	31	DG1-32025FB-C54C
FR3	7.5	10	31	11	15	48	DG1-32031FB-C54C
	11	15	48	15	20	61	DG1-32048FB-C54C
FR4	15	20	61	18.5	25	75	DG1-32061FN-C54C
	18.5	25	75	22	30	88	DG1-32075FN-C54C
	22	30	88	30	40	114	DG1-32088FN-C54C
FR5	30	40	114	37	50	143	DG1-32114FN-C54C
	37	50	143	45	60	170	DG1-32143FN-C54C
	45	60	170	55	75	211	DG1-32170FN-C54C
FR6	55	75	211	75	100	261	DG1-32211FN-C54C
	75	100	248	90	125	312	DG1-32248FN-C54C

2.6

Adjustable Frequency Drives

PowerXL DG1 Series Drives

DG1 Series Drives—380–500 Volt

2

PowerXL Series—DG1 IP20



Frame Size	Constant Torque (CT) / High Overload (I _H)			Variable Torque (VT) / Low Overload (I _L)			Catalog Number
	480 V, 50 Hz kW Rating	480 V, 60 Hz hp	Current A	480 V, 50 Hz kW Rating	480 V, 60 Hz hp	Current A	
FR0	0.75	1	2.2	1.1	1.5	3.3	DG1-342D2EB-C20C
	1.1	1.5	3.3	1.5	2	4.6	DG1-343D3EB-C20C
	1.5	2	4.3	2.2	3	5.6	DG1-344D3EB-C20C
	2.2	3	5.6	3	5	7.6	DG1-345D6EB-C20C

PowerXL Series—DG1 Type 1/IP21



Frame Size	Constant Torque (CT) / High Overload (I _H)			Variable Torque (VT) / Low Overload (I _L)			Catalog Number
	400 V, 50 Hz kW Rating	460 V, 60 Hz hp	Current A	400 V, 50 Hz kW Rating	460 V, 60 Hz hp	Current A	
FR1	0.75	1	2.2	1.1	1.5	3.3	DG1-342D2FB-C21C
	1.1	1.5	3.3	1.5	2	4.3	DG1-343D3FB-C21C
	1.5	2	4.3	2.2	3	5.6	DG1-344D3FB-C21C
	2.2	3	5.6	3	5	7.6	DG1-345D6FB-C21C
	3	5	7.6	4	—	9	DG1-347D6FB-C21C
	4	—	9	5.5	7.5	12	DG1-349D0FB-C21C
FR2	5.5	7.5	12	7.5	10	16	DG1-34012FB-C21C
	7.5	10	16	11	15	23	DG1-34016FB-C21C
	11	15	23	15	20	31	DG1-34023FB-C21C
FR3	15	20	31	18.5	25	38	DG1-34031FB-C21C
	18.5	25	38	22	30	46	DG1-34038FB-C21C
	22	30	46	30	40	61	DG1-34046FB-C21C
FR4	30	40	61	37	50	72	DG1-34061FN-C21C
	37	50	72	45	60	87	DG1-34072FN-C21C
	45	60	87	55	75	105	DG1-34087FN-C21C
FR5	55	75	105	75	100	140	DG1-34105FN-C21C
	75	100	140	90	125	170	DG1-34140FN-C21C
	90	125	170	110	150	205	DG1-34170FN-C21C
FR6	110	150	205	132	200	261	DG1-34205FN-C21C
	132	200	245	160	250	310	DG1-34245FN-C21C

PowerXL Series—DG1

Type 12/IP54



Frame Size	Constant Torque (CT) / High Overload (I _H)			Variable Torque (VT) / Low Overload (I _L)			Catalog Number
	400 V, 50 Hz kW Rating	460 V, 60 Hz hp	Current A	400 V, 50 Hz kW Rating	460 V, 60 Hz hp	Current A	
FR1	0.75	1	2.2	1.1	1.5	3.3	DG1-342D2FB-C54C
	1.1	1.5	3.3	1.5	2	4.3	DG1-343D3FB-C54C
	1.5	2	4.3	2.2	3	5.6	DG1-344D3FB-C54C
	2.2	3	5.6	3	5	7.6	DG1-345D6FB-C54C
	3	5	7.6	4	—	9	DG1-347D6FB-C54C
	4	—	9	5.5	7.5	12	DG1-349D0FB-C54C
FR2	5.5	7.5	12	7.5	10	16	DG1-34012FB-C54C
	7.5	10	16	11	15	23	DG1-34016FB-C54C
	11	15	23	15	20	31	DG1-34023FB-C54C
FR3	15	20	31	18.5	25	38	DG1-34031FB-C54C
	18.5	25	38	22	30	46	DG1-34038FB-C54C
	22	30	46	30	40	61	DG1-34046FB-C54C
FR4	30	40	61	37	50	72	DG1-34061FN-C54C
	37	50	72	45	60	87	DG1-34072FN-C54C
	45	60	87	55	75	105	DG1-34087FN-C54C
FR5	55	75	105	75	100	140	DG1-34105FN-C54C
	75	100	140	90	125	170	DG1-34140FN-C54C
	90	125	170	110	150	205	DG1-34170FN-C54C
FR6	110	150	205	132	200	261	DG1-34205FN-C54C
	132	200	245	160	250	310	DG1-34245FN-C54C

PowerXL Series—DG1

Open Type/IP00



Frame Size	Constant Torque (CT) / High Overload (I _H)			Variable Torque (VT) / Low Overload (I _L)			Catalog Number
	400 V, 50 Hz kW Rating	460 V, 60 Hz hp	Current A	400 V, 50 Hz kW Rating	460 V, 60 Hz hp	Current A	
FR7	160	250	311	200	300	385	DG1-34310FN-C00C
	200	300	385	250	350	460	DG1-34385FN-C00C
	250	350	460	250	450	520	DG1-34460FN-C00C
	250	450	520	315	500	590	DG1-34520FN-C00C
	315	500	590	355	500	650	DG1-34590FN-C00C
FR8	355	500	650	400	600	730	DG1-34650FN-C00C
	400	600	730	450	700	820	DG1-34730FN-C00C
	450	700	820	500	800	920	DG1-34820FN-C00C
	500	800	920	560	900	1040	DG1-34920FN-C00C
	500	800	920	630	1000	1180	DG1-341K0FN-C00C

2.6

Adjustable Frequency Drives

PowerXL DG1 Series Drives

DG1 Series Drives—575 Volt

2

PowerXL Series—DG1

Type 1/IP21



Frame Size	Constant Torque (CT) / High Overload (I _H)			Variable Torque (VT) / Low Overload (I _L)			Catalog Number
	575 V, 60 Hz kW Rating	575 V, 60 Hz hp	Current A	575 V, 60 Hz kW Rating	575 V, 60 Hz hp	Current A	
FR1	1.5	2	3.3	2.2	3	4.5	DG1-353D3FB-C21C
	2.2	3	4.5	3.7	5	7.5	DG1-354D5FB-C21C
	3.7	5	7.5	5.5	7.5	10	DG1-357D5FB-C21C
FR2	5.5	7.5	10	7.5	10	13.5	DG1-35010FB-C21C
	7.5	10	13.5	11	15	18	DG1-35013FB-C21C
	11	15	18	15	20	22	DG1-35018FB-C21C
FR3	15	20	22	18.5	25	27	DG1-35022FB-C21C
	18.5	25	27	22	30	34	DG1-35027FB-C21C
	22	30	34	30	40	41	DG1-35034FB-C21C
FR4	30	40	41	37	50	52	DG1-35041FN-C21C
	37	50	52	45	60	62	DG1-35052FN-C21C
	45	60	62	55	75	80	DG1-35062FN-C21C
FR5	55	75	80	75	100	100	DG1-35080FN-C21C
	75	100	100	90	125	125	DG1-35100FN-C21C
	90	125	125	110	150	144	DG1-35125FN-C21C
FR6	110	150	144	150	200	208	DG1-35144FN-C21C
	132	200	208	187	250	250	DG1-35208FN-C21C

PowerXL Series—DG1

Type 12/IP54



Frame Size	Constant Torque (CT) / High Overload (I _H)			Variable Torque (VT) / Low Overload (I _L)			Catalog Number
	575 V, 60 Hz kW Rating	575 V, 60 Hz hp	Current A	575 V, 60 Hz kW Rating	575 V, 60 Hz hp	Current A	
FR1	1.5	2	3.3	2.2	3	4.5	DG1-353D3FB-C54C
	2.2	3	4.5	3.7	5	7.5	DG1-354D5FB-C54C
	3.7	5	7.5	5.5	7.5	10	DG1-357D5FB-C54C
FR2	5.5	7.5	10	7.5	10	13.5	DG1-35010FB-C54C
	7.5	10	13.5	11	15	18	DG1-35013FB-C54C
	11	15	18	15	20	22	DG1-35018FB-C54C
FR3	15	20	22	18.5	25	27	DG1-35022FB-C54C
	18.5	25	27	22	30	34	DG1-35027FB-C54C
	22	30	34	30	40	41	DG1-35034FB-C54C
FR4	30	40	41	37	50	52	DG1-35041FN-C54C
	37	50	52	45	60	62	DG1-35052FN-C54C
	45	60	62	55	75	80	DG1-35062FN-C54C
FR5	55	75	80	75	100	100	DG1-35080FN-C54C
	75	100	100	90	125	125	DG1-35100FN-C54C
	90	125	125	110	150	144	DG1-35125FN-C54C
FR6	110	150	144	150	200	208	DG1-35144FN-C54C
	132	200	208	187	250	250	DG1-35208FN-C54C

PowerXL Series—DG1

Open Type/IP00



Frame Size	Constant Torque (CT) / High Overload (I _H)			Variable Torque (VT) / Low Overload (I _L)			Catalog Number
	575 V, 60 Hz kW Rating	575 V, 60 Hz hp	Current A	575 V, 60 Hz kW Rating	575 V, 60 Hz hp	Current A	
FR7	186.5	250	261	223.8	300	325	DG1-35261FN-C00C
	223.8	300	325	298.4	400	385	DG1-35325FN-C00C
	223.8	300	385	335.7	450	416	DG1-35385FN-C00C
FR8	298.4	400	416	335.7	450	460	DG1-35416FN-C00C
	335.7	450	460	373	500	520	DG1-35460FN-C00C
	373	500	520	447.6	600	590	DG1-35520FN-C00C
	447.6	600	590	484.9	650	650	DG1-35590FN-C00C
	484.9	650	650	522.2	700	750	DG1-35650FN-C00C
	484.9	650	650	596.8	800	820	DG1-35820FN-C00C

Accessories

The PowerXL Series—DG1 drives can accommodate a wide selection of expander and adapter option boards to customize the drive for your application needs. The drive's control unit is designed to accept a total of two additional option boards.

The PowerXL Series—DG1 drives come with a factory-installed standard board configuration including the following:

- Standard I/O:
 - 8DI, 1DO
 - 2AI, 2AO
 - 2FC, 1FA relays
- Standard communications:
 - EtherNet/IP, Modbus TCP
 - RS-485: Modbus RTU, BACnet MS/TP

PowerXL Series—DG1 I/O Card Kits

Description	Catalog Number
3 x DI, 3 x DO, 1 x thermistor, 24 Vdc/EXT option card	DXG-EXT-3DI3DO1T
1 x AI, 2 x AO (isolated to control board) option card	DXG-EXT-1AI2AO
3 x relay dry contact (2NO + 1NO/NC) option card	DXG-EXT-3R0
3 x PT100 RTD thermistor input option card	DXG-EXT-THER1
6 x DI 240 Vac input option card	DXG-EXT-6DI

PowerXL Series—DG1 Communication Card Kits

Description	Catalog Number
PROFIBUS-DP communication card	DXG-NET-PROFB
CANopen communication card	DXG-NET-CANOPEN
DeviceNet communication card	DXG-NET-DEVICENET
PROFIBUS DB9 to 5-pin adapter card	DXG-NET-PROAD
SmartWire communication card and module IP20	DXG-NET-SWD-IP20
SmartWire communication card and module IP54	DXG-NET-SWD-IP54

PowerXL Series—DG1 Keypad Kits

Description	Catalog Number
Standard keypad	DXG-KEY-LCD
Remote keypad kit (IP 54 rated keypad holder and 3 m cable)	DXG-KEY-RMTKIT
1 m remote keypad cable	DXG-CBL-1M0
3 m remote keypad cable	DXG-CBL-3M0
Remote keypad mounting holder only	DXG-KEY-HOLDER
Type 12/IP54 keypad hole plug (maintain rating without keypad)	DXG-KEY-N12PLUG

PowerXL Series—DG1 Conversion and Flange Kits

The Type 12/IP54 option kit is used to convert a Type 1/IP21 to a Type 12/IP54 drive. The kit includes cover, fan and grommets.

Type 12/IP54 Conversion Kits ^①

Description	Catalog Number
Frame 1 230 V Type 12/IP54 kit	DXG-ACC-2FR1N12KIT
Frame 1 480 V Type 12/IP54 kit	DXG-ACC-4FR1N12KIT
Frame 2 Type 12/IP54 kit	DXG-ACC-FR2N12KIT

The flange kit is used when the power section heat sink is mounted through the back panel of an enclosure. The kit includes hardware, top flange plate, bottom flange plate and two side flange plates.

Flange Kits

Description	Catalog Number
Frame 1 flange kit Type 12/IP54	DXG-ACC-FR1N12FK
Frame 2 flange kit Type 12/IP54	DXG-ACC-FR2N12FK
Frame 3 flange kit Type 12/IP54	DXG-ACC-FR3N12FK
Frame 4 flange kit Type 12/IP54	DXG-ACC-FR4N12FK
Frame 5 flange kit Type 12/IP54	DXG-ACC-FR5N12FK
Frame 6 flange kit Type 12/IP54	DXG-ACC-FR6N12FK

PowerXL Series—DG1 Demo Units

Demo Units

Description	Catalog Number
DG1 control module demo stand	DG1-DEMO1
DG1 full drive demo case	DG1-DEMO2

Note

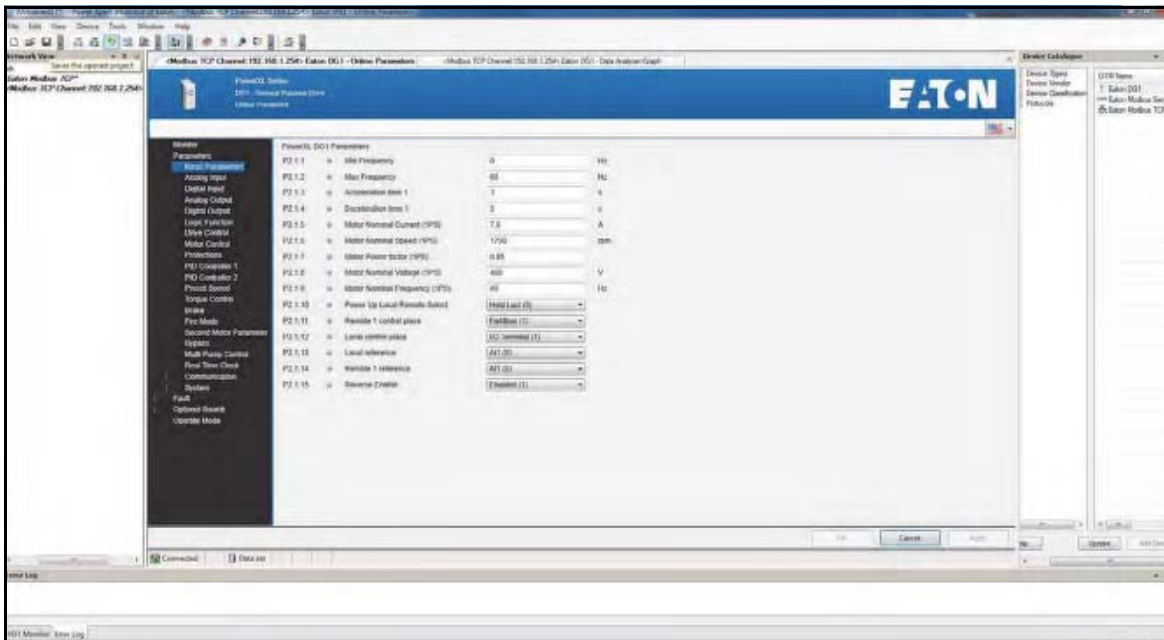
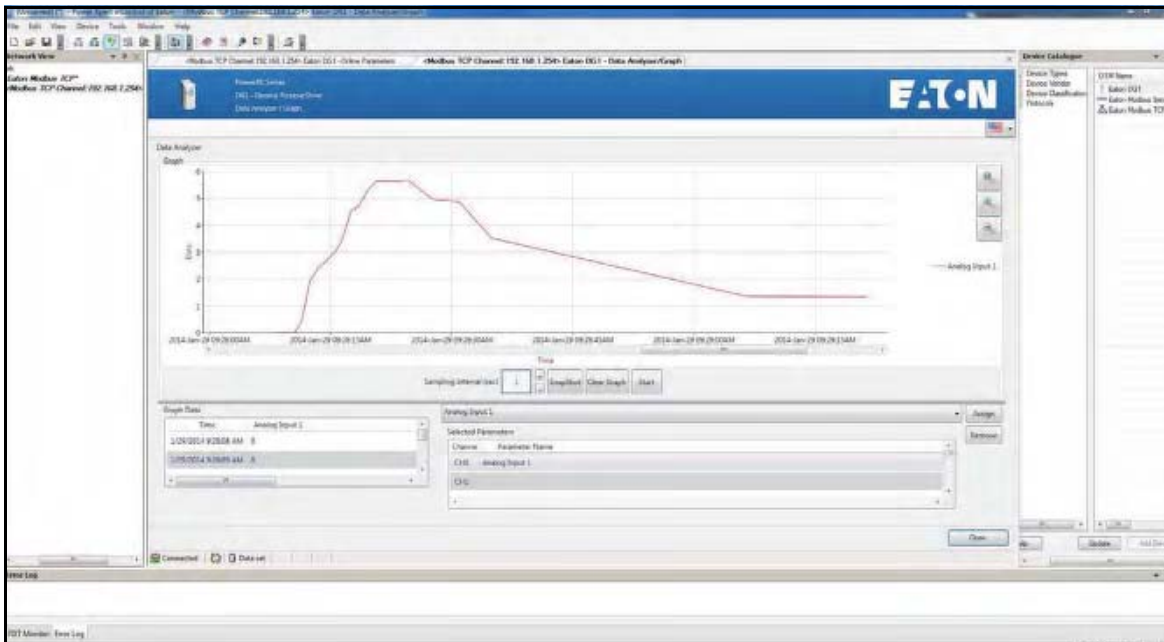
① NEMA 12 DG1 drives from W34 are available within 3 business days.

Power Xpert *inControl* Software

The PowerXL Series PC Tool is designed for programming, controlling and monitoring of the DG1 drives. Features include loading parameters that can be saved to a file or printed, setting references, starting and stopping the motor, monitoring signals in graphical or text form, and real-time display.

PowerXpert *inControl* Software

Description	Catalog Number
Software kit (software, cable, manual)	DXG-ACC-SOFTWARE
Software cable (USB to keypad [RJ45])	DXG-CBL-PCCABLE
Real-time clock battery (approximately 10,000 hours life)	DXG-ACC-RTBATT



2.6

Adjustable Frequency Drives

PowerXL DG1 Series Drives

2

Brake Chopper Options

The brake chopper circuit option is used for applications that require dynamic braking. Dynamic braking resistors are not included with drive purchase. Consult the factory for additional dynamic braking resistor selections that are supplied separately. A list of common resistors are listed below and are complete indoor assemblies, include a pre-wired terminal block and a thermal switch, and are not UL Listed.

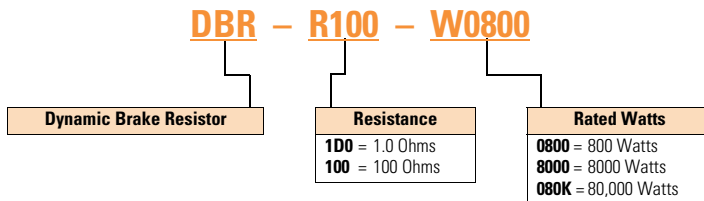
Duty Cycle

The duty cycle rating is based on a 60-second period. For example, the 20% duty cycle resistor can carry 100% current for 12 seconds out of every 60 seconds, while the 50% duty cycle resistor can carry 150% current for 30 seconds out of every 60 seconds.

Torque

If the braking torque required is less than 15%, dynamic braking is not required because the regenerated energy will be dissipated in the drive and motor losses.

Dynamic Brake Resistor—Catalog Number Selection



230 V Brake Resistors

Drive hp (CT/1 _H)	Minimum Ohms	20% Duty Cycle, 100% Torque		50% Duty Cycle, 150% Torque	
		Catalog Number	Dimensions (Inches)	Catalog Number	Dimensions (Inches)
0.75	30.0	DBR-R100-W0400	12W x 5D x 5H	DBR-R100-W0800	12W x 7D x 5H
1	30.0	DBR-R100-W0400	12W x 5D x 5H	DBR-R100-W0800	12W x 7D x 5H
1.5	30.0	DBR-R100-W0400	12W x 5D x 5H	DBR-R036-W1200	12W x 10D x 5H
2	30.0	DBR-R100-W0400	12W x 5D x 5H	DBR-R036-W1200	12W x 10D x 5H
3	30.0	DBR-R036-W0800	12W x 7D x 5H	DBR-R036-W2000	12W x 16D x 5H
4	30.0	DBR-R036-W0800	12W x 7D x 5H	DBR-R030-W2400	19W x 10D x 5H
5	30.0	DBR-R036-W0800	12W x 7D x 5H	DBR-R030-W2800	19W x 13D x 5H
7.5	20.0	DBR-R020-W1200	12W x 10D x 5H	DBR-R020-W4800	26.5W x 13D x 5H
10	10.0	DBR-R015-W1600	12W x 13D x 5H	DBR-R112-W6000	26.5W x 13D x 5H
15	10.0	DBR-R012-W2400	19W x 10D x 5H	DBR-R010-W9000	28W x 10D x 10H
20	3.3	DBR-R9D3-W3200	19W x 10D x 5H	DBR-R3D4-W012K	28W x 10D x 10H
25	3.3	DBR-R5D5-W4000	26.5W x 10D x 5H	DBR-R5D1-W015K	28W x 16D x 10H
30	3.3	DBR-R4D8-W4800	26.5W x 10D x 5H	DBR-R4D1-W020K	28W x 16D x 10H
40	1.4	DBR-R004-W6000	26.5W x 13D x 5H	DBR-R3D4-W025K	30W x 18D x 16H
50	1.4	DBR-R3D1-W7500	26.5W x 16D x 5H	DBR-R2D1-W030K	30W x 18D x 24H
60	1.4	DBR-R2D8-W9000	26.5W x 16D x 5H	DBR-R002-W036K	30W x 18D x 24H
75	1.4	DBR-R2D6-W012K	28W x 10D x 10H	DBR-R1D5-W045K	30W x 18D x 32H
100	1.4	DBR-R002-W015K	28W x 16D x 10H	DBR-R1D4-W060K	30W x 18D x 40H

480 V Brake Resistors

Drive hp (CT/l _H)	Minimum Ohms	20% Duty Cycle, 100% Torque		50% Duty Cycle, 150% Torque	
		Catalog Number	Dimensions (Inches)	Catalog Number	Dimensions (Inches)
1	63.0	DBR-R100-W0400	12W x 5D x 5H	DBR-R100-W0800	12W x 7D x 5H
1.5	63.0	DBR-R100-W0400	12W x 5D x 5H	DBR-R100-W1200	12W x 10D x 5H
2	63.0	DBR-R100-W0400	12W x 5D x 5H	DBR-R100-W1200	12W x 10D x 5H
3	63.0	DBR-R100-W0800	12W x 7D x 5H	DBR-R100-W2000	12W x 16D x 5H
5	63.0	DBR-R100-W0800	12W x 7D x 5H	DBR-R100-W2800	19W x 13D x 5H
6	63.0	DBR-R100-W1200	12W x 10D x 5H	DBR-R070-W4000	19W x 16D x 5H
7.5	63.0	DBR-R100-W1200	12W x 10D x 5H	DBR-R063-W4800	26.5W x 13D x 5H
10	63.0	DBR-R063-W1600	12W x 13D x 5H	DBR-R063-W6000	26.5W x 16D x 5H
15	42.0	DBR-R042-W2400	19W x 10D x 5H	DBR-R042-W9000	28W x 10D x 10H
20	21.0	DBR-R030-W3200	19W x 13D x 5H	DBR-R023-W012K	28W x 13D x 10H
25	21.0	DBR-R030-W4000	19W x 16D x 5H	DBR-R021-W015K	28W x 13D x 10H
30	14.0	DBR-R020-W4800	26.5W x 13D x 5H	DBR-R014-W020K	30W x 18D x 24H
40	6.5	DBR-R112-W6000	26.5W x 13D x 5H	DBR-R007-W025K	30W x 18D x 16H
50	6.5	DBR-R013-W7500	26.5W x 16D x 5H	DBR-R8D5-W030K	30W x 18D x 24H
60	6.5	DBR-R010-W9000	28W x 10D x 10H	DBR-R7D3-W036K	30W x 18D x 24H
75	3.3	DBR-R009-W012K	28W x 13D x 10H	DBR-R3D3-W045K	30W x 18D x 32H
100	3.3	DBR-R5D1-W015K	28W x 16D x 10H	DBR-R004-W060K	30W x 18D x 40H
125	3.3	DBR-R4D1-W020K	28W x 16D x 10H	DBR-R004-W070K	30W x 18D x 48H
150	3.3	DBR-R3D4-W025K	30W x 18D x 16H	DBR-R3D5-W085K	30W x 18D x 56H
200	3.3	DBR-R3D3-W030K	30W x 18D x 24H	DBR-R3D3-W110K	30W x 18D x 72H
250	1.4	DBR-R2D5-W036K	30W x 18D x 24H	Ⓢ	—
300	1.4	DBR-R1D5-W045K	30W x 18D x 32H	Ⓢ	—
350	1.4	DBR-R1D4-W060K	30W x 18D x 40H	Ⓢ	—
400	0.9	DBR-R1D4-W060K	30W x 18D x 40H	Ⓢ	—
500	0.9	DBR-R0D9-W080K	30W x 18D x 48H	Ⓢ	—
550	0.9	DBR-R001-W085K	30W x 18D x 56H	Ⓢ	—

Note

Ⓢ Consult factory.

2.6

Adjustable Frequency Drives

PowerXL DG1 Series Drives

575 V Brake Resistors

2

Drive hp (CT/l _H)	Minimum Ohms	20% Duty Cycle, 100% Torque		50% Duty Cycle, 150% Torque	
		Catalog Number	Dimensions (Inches)	Catalog Number	Dimensions (Inches)
2	100.0	DBR-R100-W0400	12W x 5D x 5H	DBR-R100-W1200	12W x 10D x 5H
3	100.0	DBR-R100-W0800	12W x 7D x 5H	DBR-R100-W2000	12W x 16D x 5H
4	100.0	DBR-R100-W0800	12W x 7D x 5H	DBR-R100-W2400	19W x 10D x 5H
5	100.0	DBR-R100-W0800	12W x 7D x 5H	DBR-R100-W2800	19W x 13D x 5H
7.5	100.0	DBR-R100-W1200	12W x 10D x 5H	DBR-R100-W4800	26.5W x 13D x 5H
10	30.0	DBR-R063-W1600	12W x 13D x 5H	DBR-R063-W6000	26.5W x 16D x 5H
15	30.0	DBR-R042-W2400	19W x 10D x 5H	DBR-R042-W9000	28W x 10D x 10H
20	30.0	DBR-R030-W3200	19W x 13D x 5H	DBR-R030-W012K	28W x 13D x 10H
25	30.0	DBR-R030-W4000	19W x 16D x 5H	DBR-R030-W015K	28W x 16D x 10H
30	18.0	DBR-R020-W4800	26.5W x 13D x 5H	DBR-R020-W020K	30W x 18D x 16H
40	18.0	DBR-R030-W6000	26.5W x 16D x 5H	DBR-R184-W025K	30W x 18D x 16H
50	9.0	DBR-R013-W7500	26.5W x 16D x 5H	DBR-R012-W030K	30W x 18D x 24H
60	9.0	DBR-R010-W9000	28W x 10D x 10H	DBR-R010-W036K	30W x 18D x 24H
75	9.0	DBR-R009-W012K	28W x 13D x 10H	DBR-R009-W045K	30W x 18D x 24H
100	7.0	DBR-R013-W015K	28W x 16D x 10H	DBR-R8D4-W060K	30W x 18D x 40H
125	7.0	DBR-R8D2-W020K	30W x 18D x 10H	DBR-R007-W070K	30W x 18D x 40H
150	7.0	DBR-R007-W025K	30W x 18D x 16H	DBR-R006-W085K	30W x 18D x 56H
175	7.0	DBR-R007-W030K	30W x 18D x 24H	DBR-R007-W100K	30W x 18D x 72H
200	2.5	DBR-R3D3-W030K	30W x 18D x 24H	DBR-R2D6-W110K	30W x 18D x 64H
250	2.5	DBR-R2D5-W036K	30W x 18D x 24H	DBR-R003-W140K	30W x 18D x 72H
300	2.5	DBR-R3D3-W045K	30W x 18D x 32H	①	—
400	1.7	DBR-R002-W060K	30W x 18D x 48H	①	—
450	1.7	DBR-R1D8-W070K	30W x 18D x 48H	①	—
500	1.7	DBR-R002-W080K	30W x 18D x 56H	①	—

Note

① Consult factory.

Line and Load Reactors

A line and load reactor is a three-phase inductance filter that can be placed on the line and load side of the AFD to help improve the harmonic performance of the system. Consult the factory for additional filtering options and further technical details.

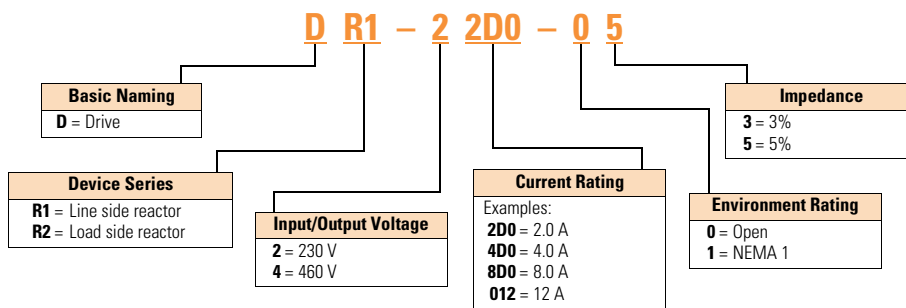
DR1 Line Reactor

A line reactor helps to provide a moderate reduction in current harmonics similar to a DC choke. It also provides increased input protection for AFD and its semiconductors from line transients helping to extend the life of the AFD.

DR2 Output Reactor

An output filter is used to reduce the transient voltage (dV/dt) at the motor terminals. The output filter is recommended for cable lengths exceeding 100 ft (30 m) with a drive of 3 hp and above and for cable lengths of 33 ft (10 m) with a drive of 2 hp and below.

Line and Load Reactors—Catalog Number Selection



Line and Load Reactors—230 V

hp (CT)	Open Line Reactor		Load Reactor		NEMA 1 Line Reactor		Load Reactor	
	3%	5%	3%	5%	3%	5%	3%	5%
0.75	DR1-23D2-03	DR1-23D2-05	DR2-24D0-03	DR2-24D0-05	DR1-23D2-13	DR1-23D2-15	DR2-24D0-13	DR2-24D0-15
1	DR1-24D2-03	DR1-24D2-05	DR2-24D0-03	DR2-28D0-05	DR1-24D2-13	DR1-24D2-15	DR2-24D0-13	DR2-28D0-15
1.5	DR1-26D0-03	DR1-26D0-05	DR2-28D0-03	DR2-28D0-05	DR1-26D0-13	DR1-26D0-15	DR2-28D0-13	DR2-28D0-15
2	DR1-26D8-03	DR1-26D8-05	DR2-28D0-03	DR2-28D0-05	DR1-26D8-13	DR1-26D8-15	DR2-28D0-13	DR2-28D0-15
3	DR1-29D6-03	DR1-29D6-05	DR2-2012-03	DR2-2012-05	DR1-29D6-13	DR1-29D6-15	DR2-2012-13	DR2-2012-15
5	DR1-2015-03	DR1-2015-05	DR2-2018-03	DR2-2018-05	DR1-2015-13	DR1-2015-15	DR2-2018-13	DR2-2018-15
7.5	DR1-2022-03	DR1-2022-05	DR2-2025-03	DR2-2025-05	DR1-2022-13	DR1-2022-15	DR2-2025-13	DR2-2025-15
10	DR1-2028-03	DR1-2028-05	DR2-2035-03	DR2-2035-05	DR1-2028-13	DR1-2028-15	DR2-2035-13	DR2-2035-15
15	DR1-2042-03	DR1-2042-05	DR2-2045-03	DR2-2045-05	DR1-2042-13	DR1-2042-15	DR2-2045-13	DR2-2045-15
20	DR1-2054-03	DR1-2054-05	DR2-2055-03	DR2-2055-05	DR1-2054-13	DR1-2054-15	DR2-2055-13	DR2-2055-15
25	DR1-2068-03	DR1-2068-05	DR2-2080-03	DR2-2080-05	DR1-2068-13	DR1-2068-15	DR2-2080-13	DR2-2080-15
30	DR1-2080-03	DR1-2080-05	DR2-2080-03	DR2-2100-05	DR1-2080-13	DR1-2080-15	DR2-2080-13	DR2-2100-15
40	DR1-2104-03	DR1-2104-05	DR2-2100-03	DR2-2100-05	DR1-2104-13	DR1-2104-15	DR2-2100-13	DR2-2100-15
50	DR1-2130-03	DR1-2130-05	DR2-2130-03	DR2-2130-05	DR1-2130-13	DR1-2130-15	DR2-2130-13	DR2-2130-15
60	DR1-2154-03	DR1-2154-05	DR2-2160-03	DR2-2200-15	DR1-2154-13	DR1-2154-15	DR2-2160-13	DR2-2200-15
75	DR1-2192-03	DR1-2192-05	DR2-2200-13	DR2-2200-15	DR1-2192-13	DR1-2192-15	DR2-2200-13	DR2-2200-15
100	DR1-2248-03	DR1-2248-05	DR2-2225-13	DR2-2225-15	DR1-2248-13	DR1-2248-15	DR2-2225-13	DR2-2225-15

Line and Load Reactors—480 V

hp (CT)	Open Line Reactor	
	3%	5%
1	DR1-42D1-03	DR1-42D1-05
1.5	DR1-43D0-03	DR1-43D0-05
2	DR1-43D4-03	DR1-43D4-05
3	DR1-44D8-03	DR1-44D8-05
5	DR1-47D6-03	DR1-47D6-05
7.5	DR1-4011-03	DR1-4011-05
10	DR1-4014-03	DR1-4014-05
15	DR1-4021-03	DR1-4021-05
20	DR1-4027-03	DR1-4027-05
25	DR1-4034-03	DR1-4034-05
30	DR1-4040-03	DR1-4040-05
40	DR1-4052-03	DR1-4052-05
50	DR1-4065-03	DR1-4065-05
60	DR1-4077-03	DR1-4077-05
75	DR1-4096-03	DR1-4096-05
100	DR1-4124-03	DR1-4124-05
125	DR1-4156-03	DR1-4156-05
150	DR1-4180-03	DR1-4180-05
200	DR1-4240-03	DR1-4240-05
250	DR1-4302-03	DR1-4302-05
300	DR1-4361-03	DR1-4361-05
350	DR1-4414-03	DR1-4414-05
400	DR1-4477-03	DR1-4477-05
500	DR1-4590-03	DR1-4590-05
600	DR1-4708-03	DR1-4708-05

Load Reactor	
3%	5%
DR2-42D0-05	DR2-42D0-05
DR2-44D0-05	DR2-44D0-05
DR2-44D0-03	DR2-44D0-05
DR2-48D0-03	DR2-48D0-05
DR2-48D0-03	DR2-48D0-05
DR2-4012-03	DR2-4012-05
DR2-4018-03	DR2-4018-05
DR2-4025-03	DR2-4025-05
DR2-4025-03	DR2-4025-05
DR2-4035-03	DR2-4035-05
DR2-4045-03	DR2-4045-05
DR2-4055-03	DR2-4055-05
DR2-4080-03	DR2-4080-05
DR2-4100-03	DR2-4080-05
DR2-4100-03	DR2-4100-05
DR2-4130-03	DR2-4130-05
DR2-4160-03	DR2-4160-05
DR2-4200-13	DR2-4200-15
DR2-4250-13	DR2-4250-15
DR2-4320-13	DR2-4320-15
DR2-4400-13	DR2-4400-15
DR2-4400-13	DR2-4400-15
DR2-4500-03	DR2-4500-05
DR2-4600-03	DR2-4600-05
DR2-4750-03	DR2-4750-05

NEMA 1 Line Reactor	
3%	5%
DR1-42D1-13	DR1-42D1-15
DR1-43D0-13	DR1-43D0-15
DR1-43D4-13	DR1-43D4-15
DR1-44D8-13	DR1-44D8-15
DR1-47D6-13	DR1-47D6-15
DR1-4011-13	DR1-4011-15
DR1-4014-13	DR1-4014-15
DR1-4021-13	DR1-4021-15
DR1-4027-13	DR1-4027-15
DR1-4034-13	DR1-4034-15
DR1-4040-13	DR1-4040-15
DR1-4052-13	DR1-4052-15
DR1-4065-13	DR1-4065-15
DR1-4077-13	DR1-4077-15
DR1-4096-13	DR1-4096-15
DR1-4124-13	DR1-4124-15
DR1-4156-13	DR1-4156-15
DR1-4180-13	DR1-4180-15
DR1-4240-13	DR1-4240-15
DR1-4302-13	DR1-4302-15
DR1-4361-13	DR1-4361-15
DR1-4414-13	DR1-4414-15
DR1-4477-13	DR1-4477-15
DR1-4590-13	DR1-4590-15
DR1-4708-13	DR1-4708-15

Load Reactor	
3%	5%
DR2-42D0-13	DR2-42D0-15
DR2-44D0-13	DR2-44D0-15
DR2-44D0-13	DR2-44D0-15
DR2-48D0-13	DR2-48D0-15
DR2-48D0-13	DR2-48D0-15
DR2-4012-13	DR2-4012-15
DR2-4018-13	DR2-4018-15
DR2-4025-13	DR2-4025-15
DR2-4025-13	DR2-4025-15
DR2-4035-13	DR2-4035-15
DR2-4045-13	DR2-4045-15
DR2-4055-13	DR2-4055-15
DR2-4080-13	DR2-4080-15
DR2-4100-13	DR2-4080-15
DR2-4100-13	DR2-4100-15
DR2-4130-13	DR2-4130-15
DR2-4160-13	DR2-4160-15
DR2-4200-13	DR2-4200-15
DR2-4250-13	DR2-4250-15
DR2-4320-13	DR2-4320-15
DR2-4400-13	DR2-4400-15
DR2-4400-13	DR2-4400-15
DR2-4500-13	DR2-4500-15
DR2-4600-13	DR2-4600-15
DR2-4750-13	DR2-4750-15

Line and Load Reactors—575 V

hp (CT)	Open Line Reactor	
	3%	5%
2	DR1-52D7-03	DR1-52D7-05
3	DR1-53D9-03	DR1-53D9-05
5	DR1-56D1-03	DR1-56D1-05
7.5	DR1-59D0-03	DR1-59D0-05
10	DR1-5011-03	DR1-5011-05
15	DR1-5017-03	DR1-5017-05
20	DR1-5022-03	DR1-5022-05
25	DR1-5027-03	DR1-5027-05
30	DR1-5032-03	DR1-5032-05
40	DR1-5041-03	DR1-5041-05
50	DR1-5052-03	DR1-5052-05
60	DR1-5062-03	DR1-5062-05
75	DR1-5077-03	DR1-5077-05
100	DR1-5100-03	DR1-5100-05
125	DR1-5125-03	DR1-5125-05
150	DR1-5144-03	DR1-5144-05
200	DR1-5192-03	DR1-5192-05
250	DR1-5242-03	DR1-5242-05
300	DR1-5289-03	DR1-5289-05
400	DR1-5382-03	DR1-5382-05
450	DR1-5412-03	DR1-5412-05
500	DR1-5472-03	DR1-5472-05
600	DR1-5576-03	DR1-5576-05

Load Reactor	
3%	5%
DR2-54D0-03	DR2-54D0-05
DR2-54D0-03	DR2-54D0-05
DR2-58D0-03	DR2-58D0-05
DR2-58D0-03	DR2-58D0-05
DR2-5012-03	DR2-5012-05
DR2-5018-03	DR2-5018-05
DR2-5025-03	DR2-5025-05
DR2-5025-03	DR2-5025-05
DR2-5035-03	DR2-5035-05
DR2-5045-03	DR2-5045-05
DR2-5055-03	DR2-5055-05
DR2-5080-03	DR2-5080-05
DR2-5080-03	DR2-5080-05
DR2-5100-03	DR2-5100-05
DR2-5130-03	DR2-5130-05
DR2-5160-03	DR2-5160-05
DR2-5200-13	DR2-5200-15
DR2-5250-13	DR2-5250-15
DR2-5320-13	DR2-5320-15
DR2-5400-13	DR2-5400-15
DR2-5400-13	DR2-5400-15
DR2-5500-03	DR2-5500-05
DR2-5600-03	DR2-5600-05

NEMA 1 Line Reactor	
3%	5%
DR1-52D7-13	DR1-52D7-15
DR1-53D9-13	DR1-53D9-15
DR1-56D1-13	DR1-56D1-15
DR1-59D0-13	DR1-59D0-15
DR1-5011-13	DR1-5011-15
DR1-5017-13	DR1-5017-15
DR1-5022-13	DR1-5022-15
DR1-5027-13	DR1-5027-15
DR1-5032-13	DR1-5032-15
DR1-5041-13	DR1-5041-15
DR1-5052-13	DR1-5052-15
DR1-5062-13	DR1-5062-15
DR1-5077-13	DR1-5077-15
DR1-5100-13	DR1-5100-15
DR1-5125-13	DR1-5125-15
DR1-5144-13	DR1-5144-15
DR1-5192-13	DR1-5192-15
DR1-5242-13	DR1-5242-15
DR1-5289-13	DR1-5289-15
DR1-5382-13	DR1-5382-15
DR1-5412-13	DR1-5412-15
DR1-5472-13	DR1-5472-15
DR1-5576-13	DR1-5576-15

Load Reactor	
3%	5%
DR2-54D0-13	DR2-54D0-15
DR2-54D0-13	DR2-54D0-15
DR2-58D0-13	DR2-58D0-15
DR2-58D0-13	DR2-58D0-15
DR2-5012-13	DR2-5012-15
DR2-5018-13	DR2-5018-15
DR2-5025-13	DR2-5025-15
DR2-5025-13	DR2-5025-15
DR2-5035-13	DR2-5035-15
DR2-5045-13	DR2-5045-15
DR2-5055-13	DR2-5055-15
DR2-5080-13	DR2-5080-15
DR2-5080-13	DR2-5080-15
DR2-5100-13	DR2-5100-15
DR2-5130-13	DR2-5130-15
DR2-5160-13	DR2-5160-15
DR2-5200-13	DR2-5200-15
DR2-5250-13	DR2-5250-15
DR2-5320-13	DR2-5320-15
DR2-5400-13	DR2-5400-15
DR2-5400-13	DR2-5400-15
DR2-5500-13	DR2-5500-15
DR2-5600-13	DR2-5600-15

Replacement Parts

Frame 0

Description	230 V	480 V	575 V
	Catalog Number	Catalog Number	Catalog Number
Standard keypad	DXG-KEY-LCD	DXG-KEY-LCD	—
Main control board	DXG-SPR-CTRLBOARD	DXG-SPR-CTRLBOARD	—
Control module kit with keypad ^①	DXG-SPR-CTRLKIT	DXG-SPR-CTRLKIT	—
Main fan kit	DXG-SPR-FR0FAN	DXG-SPR-FR0FAN	—
Main power board	DXG-SPR-2FR0MPB	DXG-SPR-4FR0MPB	—
EMI kit for C2	DXG-SPR-FR0EMCKIT	DXG-SPR-FR0EMCKIT	—

Frame 1

Description	230 V	480 V	575 V
	Catalog Number	Catalog Number	Catalog Number
Standard keypad	DXG-KEY-LCD	DXG-KEY-LCD	DXG-KEY-LCD
Main control board	DXG-SPR-CTRLBOARD	DXG-SPR-CTRLBOARD	DXG-SPR-CTRLBOARD
Control module kit with keypad ^①	DXG-SPR-CTRLKIT	DXG-SPR-CTRLKIT	DXG-SPR-CTRLKIT
Control board cover	DXG-SPR-BCOVER	DXG-SPR-BCOVER	DXG-SPR-BCOVER
Standard cover	DXG-SPR-FR1CVR	DXG-SPR-FR1CVR	DXG-SPR-FR1CVR
Main fan kit ^①	DXG-SPR-FR1FAN	DXG-SPR-FR1FAN	DXG-SPR-FR1FAN
Control fan	DXG-SPR-2FR1CF	DXG-SPR-4FR1CF	DXG-SPR-4FR1CF
Main power board	DXG-SPR-2FR1MPB	DXG-SPR-4FR1MPB	DXG-SPR-4FR1MPB
EMI board	DXG-SPR-2FR1EB	DXG-SPR-4FR1EB	DXG-SPR-4FR1EB
Middle chassis cover	DXG-SPR-FR1MCC	DXG-SPR-FR1MCC	DXG-SPR-FR1MCC
Outer housing	DXG-SPR-FR10H	DXG-SPR-FR10H	DXG-SPR-FR10H
UL conduit plate	DXG-SPR-FR1CPUL	DXG-SPR-FR1CPUL	DXG-SPR-FR1CPUL
IEC conduit plate	DXG-SPR-FR1CPIEC	DXG-SPR-FR1CPIEC	DXG-SPR-FR1CPIEC

Frame 2

Description	230 V	480 V	575 V
	Catalog Number	Catalog Number	Catalog Number
Standard keypad	DXG-KEY-LCD	DXG-KEY-LCD	DXG-KEY-LCD
Main control board	DXG-SPR-CTRLBOARD	DXG-SPR-CTRLBOARD	DXG-SPR-CTRLBOARD
Control module kit with keypad ^①	DXG-SPR-CTRLKIT	DXG-SPR-CTRLKIT	DXG-SPR-CTRLKIT
Control board cover	DXG-SPR-BCOVER	DXG-SPR-BCOVER	DXG-SPR-BCOVER
Standard cover	DXG-SPR-FR2CVR	DXG-SPR-FR2CVR	DXG-SPR-FR2CVR
Main fan kit ^①	DXG-SPR-FR2FAN	DXG-SPR-FR2FAN	DXG-SPR-FR2FAN
Control fan	DXG-SPR-FR2CF	DXG-SPR-FR2CF	DXG-SPR-FR2CF
Bus capacitor	DXG-SPR-2FR2BC	DXG-SPR-4FR24BC	DXG-SPR-4FR24BC
Main power board	DXG-SPR-2FR2MPB	DXG-SPR-4FR2MPB	DXG-SPR-4FR2MPB
EMI board	DXG-SPR-2FR2EB	DXG-SPR-4FR2EB	DXG-SPR-4FR2EB
Middle chassis cover	DXG-SPR-FR2MCC	DXG-SPR-FR2MCC	DXG-SPR-FR2MCC
Outer housing	DXG-SPR-FR20H	DXG-SPR-FR20H	DXG-SPR-FR20H
UL conduit plate	DXG-SPR-FR2CPUL	DXG-SPR-FR2CPUL	DXG-SPR-FR2CPUL
IEC conduit plate	DXG-SPR-FR2CPIEC	DXG-SPR-FR2CPIEC	DXG-SPR-FR2CPIEC

Note

^① Factory recommended spare parts.

2.6

Adjustable Frequency Drives

PowerXL DG1 Series Drives

2

Frame 3

Description	230 V Catalog Number	480 V Catalog Number	575 V Catalog Number
Standard keypad	DXG-KEY-LCD	DXG-KEY-LCD	DXG-KEY-LCD
Main control board	DXG-SPR-CTRLBOARD	DXG-SPR-CTRLBOARD	DXG-SPR-CTRLBOARD
Control module kit with keypad ^①	DXG-SPR-CTRLKIT	DXG-SPR-CTRLKIT	DXG-SPR-CTRLKIT
Control board cover	DXG-SPR-BCOVER	DXG-SPR-BCOVER	DXG-SPR-BCOVER
Standard cover	DXG-SPR-FR3CVR	DXG-SPR-FR3CVR	DXG-SPR-FR3CVR
Main fan kit ^①	DXG-SPR-FR3FANKIT	DXG-SPR-FR3FANKIT	DXG-SPR-FR3FANKIT
Main fan	DXG-SPR-FR3FAN	DXG-SPR-FR3FAN	DXG-SPR-FR3FAN
Control fan	DXG-SPR-FR34CF	DXG-SPR-FR34CF	DXG-SPR-FR34CF
Bus capacitor	DXG-SPR-FR3BC	DXG-SPR-FR3BC	DXG-SPR-FR3BC
Main power board	DXG-SPR-2FR3MPB	DXG-SPR-4FR3MPB	DXG-SPR-4FR3MPB
EMI board	DXG-SPR-2FR3EB	DXG-SPR-4FR3EB	DXG-SPR-4FR3EB
Drive board	DXG-SPR-2FR3DB	DXG-SPR-4FR3DB	DXG-SPR-4FR3DB
Output board	DXG-SPR-FR3OB	DXG-SPR-FR3OB	DXG-SPR-FR3OB
Middle chassis cover	DXG-SPR-FR3MCC	DXG-SPR-FR3MCC	DXG-SPR-FR3MCC
Outer housing	DXG-SPR-FR3OH	DXG-SPR-FR3OH	DXG-SPR-FR3OH
UL conduit plate	DXG-SPR-FR3CPUL	DXG-SPR-FR3CPUL	DXG-SPR-FR3CPUL
IEC conduit plate	DXG-SPR-FR3CPIEC	DXG-SPR-FR3CPIEC	DXG-SPR-FR3CPIEC

Frame 4

Description	230 V Catalog Number	480 V Catalog Number	575 V Catalog Number
Standard keypad	DXG-KEY-LCD	DXG-KEY-LCD	DXG-KEY-LCD
Main control board	DXG-SPR-CTRLBOARD	DXG-SPR-CTRLBOARD	DXG-SPR-CTRLBOARD
Control module kit with keypad ^①	DXG-SPR-CTRLKIT	DXG-SPR-CTRLKIT	DXG-SPR-CTRLKIT
Control board cover	DXG-SPR-BCOVER	DXG-SPR-BCOVER	DXG-SPR-BCOVER
Standard cover	DXG-SPR-FR4CVR	DXG-SPR-FR4CVR	DXG-SPR-FR4CVR
Main fan kit ^①	DXG-SPR-FR4FANKIT	DXG-SPR-FR4FANKIT	DXG-SPR-FR4FANKIT
Main fan	DXG-SPR-FR4FAN	DXG-SPR-FR4FAN	DXG-SPR-FR4FAN
Control fan	DXG-SPR-FR34CF	DXG-SPR-FR34CF	DXG-SPR-FR34CF
Bus capacitor	DXG-SPR-2FR4BC	DXG-SPR-4FR24BC	DXG-SPR-4FR24BC
Main power board	DXG-SPR-2FR4MPB	DXG-SPR-4FR4MPB	DXG-SPR-4FR4MPB
EMI board	DXG-SPR-2FR4EB	DXG-SPR-4FR4EB	DXG-SPR-4FR4EB
Softstart board	DXG-SPR-2FR4SB	DXG-SPR-4FR4SB	DXG-SPR-4FR4SB
IGBT module	DXG-SPR-2FR4IGBT	DXG-SPR-4FR4IGBT	DXG-SPR-4FR4IGBT
Rectifier module	DXG-SPR-2FR4RM	DXG-SPR-4FR4RM	DXG-SPR-4FR4RM
Brake chopper module	DXG-SPR-2FR4BCM	DXG-SPR-4FR4BCM	DXG-SPR-4FR4BCM
Middle chassis cover	DXG-SPR-FR4MCC	DXG-SPR-FR4MCC	DXG-SPR-FR4MCC
Outer housing	DXG-SPR-FR4OH	DXG-SPR-FR4OH	DXG-SPR-FR4OH
UL conduit plate	DXG-SPR-FR4CPUL	DXG-SPR-FR4CPUL	DXG-SPR-FR4CPUL
IEC conduit plate	DXG-SPR-FR4CPIEC	DXG-SPR-FR4CPIEC	DXG-SPR-FR4CPIEC

Note

^① Factory recommended spare parts.

Frame 5

Description	230 V Catalog Number	480 V Catalog Number	575 V Catalog Number
Standard keypad	DXG-KEY-LCD	DXG-KEY-LCD	DXG-KEY-LCD
Main control board	DXG-SPR-CTRLBOARD	DXG-SPR-CTRLBOARD	DXG-SPR-CTRLBOARD
Control module kit with keypad ^①	DXG-SPR-CTRLKIT	DXG-SPR-CTRLKIT	DXG-SPR-CTRLKIT
Control board cover	DXG-SPR-BCOVER	DXG-SPR-BCOVER	DXG-SPR-BCOVER
Standard cover	DXG-SPR-FR5CVR	DXG-SPR-FR5CVR	DXG-SPR-FR5CVR
Main fan kit ^①	DXG-SPR-FR5FANKIT	DXG-SPR-FR5FANKIT	DXG-SPR-FR5FANKIT
Main fan	DXG-SPR-FR5FAN	DXG-SPR-FR5FAN	DXG-SPR-FR5FAN
Control fan	DXG-SPR-FR5CF	DXG-SPR-FR5CF	DXG-SPR-FR5CF
Bus capacitor	DXG-SPR-FR5BC	DXG-SPR-FR5BC	DXG-SPR-FR5BC
Main power board	DXG-SPR-2FR5MPB	DXG-SPR-4FR5MPB	DXG-SPR-4FR5MPB
EMI-1 board	DXG-SPR-2FR5E1B	DXG-SPR-4FR5E1B	DXG-SPR-4FR5E1B
EMI-2 board	DXG-SPR-2FR5E2B	DXG-SPR-4FR5E2B	DXG-SPR-4FR5E2B
EMI-3 board	DXG-SPR-FR5E3B	DXG-SPR-FR5E3B	DXG-SPR-FR5E3B
IGBT module	DXG-SPR-2FR5IGBT	DXG-SPR-4FR5IGBT	DXG-SPR-5FR5IGBT
Rectifier module	DXG-SPR-FR5RM	DXG-SPR-FR5RM	DXG-SPR-5FR5RM
Brake chopper module	DXG-SPR-2FR5BCM	DXG-SPR-4FR5BCM	DXG-SPR-4FR5BCM
Middle chassis cover	DXG-SPR-FR5MCC	DXG-SPR-FR5MCC	DXG-SPR-FR5MCC
Outer housing	DXG-SPR-FR5OH	DXG-SPR-FR5OH	DXG-SPR-FR5OH
UL conduit plate	DXG-SPR-FR5CPUL	DXG-SPR-FR5CPUL	DXG-SPR-FR5CPUL
IEC conduit plate	DXG-SPR-FR5IECCP	DXG-SPR-FR5IECCP	DXG-SPR-FR5IECCP
DC terminal kit	DXG-SPR-FR5DCKIT	DXG-SPR-FR5DCKIT	DXG-SPR-FR5DCKIT

Frame 6

Description	230 V Catalog Number	480 V Catalog Number	600 V Catalog Number
Standard keypad	DXG-KEY-LCD	DXG-KEY-LCD	DXG-KEY-LCD
Main control board	DXG-SPR-CTRLBOARD	DXG-SPR-CTRLBOARD	DXG-SPR-CTRLBOARD
Control module kit with keypad	DXG-SPR-CTRLKIT	DXG-SPR-CTRLKIT	DXG-SPR-CTRLKIT
Control board cover	DXG-SPR-BCOVER	DXG-SPR-BCOVER	DXG-SPR-BCOVER
Standard cover	DXG-SPR-FR6CVR	DXG-SPR-FR6CVR	DXG-SPR-FR6CVR
Type 12 grommet kit	DXG-SPR-FR6GRN12	DXG-SPR-FR6GRN12	DXG-SPR-FR6GRN12
Main fan kit	DXG-SPR-FR6FANKIT	DXG-SPR-FR6FANKIT	DXG-SPR-FR6FANKIT
Main fan	DXG-SPR-FR6FAN	DXG-SPR-FR6FAN	DXG-SPR-FR6FAN
Control fan	DXG-SPR-FR6CF	DXG-SPR-FR6CF	DXG-SPR-FR6CF
Bus capacitor	DXG-SPR-FR6BC	DXG-SPR-FR6BC	DXG-SPR-5FR6BC
Main power board	DXG-SPR-2FR6MPB	DXG-SPR-4FR6MPB	DXG-SPR-5FR6MPB
EMI board	DXG-SPR-FR6EB	DXG-SPR-FR6EB	DXG-SPR-FR6EB
IGBT module	DXG-SPR-2FR6IGBT	DXG-SPR-4FR6IGBT	DXG-SPR-5FR6IGBT
Rectifier module	DXG-SPR-FR6RM	DXG-SPR-FR6RM	DXG-SPR-5FR6RM
Middle chassis cover	DXG-SPR-FR6MCC	DXG-SPR-FR6MCC	DXG-SPR-FR6MCC
Outer housing	DXG-SPR-FR6OH	DXG-SPR-FR6OH	DXG-SPR-FR6OH
UL conduit plate	DXG-SPR-FR6CPUL	DXG-SPR-FR6CPUL	DXG-SPR-FR6CPUL
IEC conduit plate	DXG-SPR-FR6CPIEC	DXG-SPR-FR6CPIEC	DXG-SPR-FR6CPIEC
Softstart board	DXG-SPR-2FR6SB	DXG-SPR-4FR6SB	DXG-SPR-5FR6SB
Rectifier snubber board	DXG-SPR-2FR6RSB	DXG-SPR-4FR6RSB	DXG-SPR-5FR6RSB
Terminal block kit (1-pole)	DXG-SPR-FR6TB1P	DXG-SPR-FR6TB1P	DXG-SPR-FR6TB1P
Terminal block kit (3-pole)	DXG-SPR-FR6TB3P	DXG-SPR-FR6TB3P	DXG-SPR-FR6TB3P

Note

^① Factory recommended spare parts.

2.6

Adjustable Frequency Drives

PowerXL DG1 Series Drives

2

Frame 7

Description	230 V Catalog Number	480 V Catalog Number	575 V Catalog Number
Standard keypad	—	DXG-KEY-LCD	DXG-KEY-LCD
Control module kit with keypad ^①	—	DXG-SPR-HPCTRLKIT	DXG-SPR-HPCTRLKIT
Control board cover	—	DXG-SPR-BCOVER	DXG-SPR-BCOVER
Standard cover	—	DXG-SPR-FR1CVR	DXG-SPR-FR1CVR

Frame 8

Description	230 V Catalog Number	480 V Catalog Number	575 V Catalog Number
Standard keypad	—	DXG-KEY-LCD	DXG-KEY-LCD
Control module kit with keypad ^①	—	DXG-SPR-HPCTRLKIT	DXG-SPR-HPCTRLKIT
Control board cover	—	DXG-SPR-BCOVER	DXG-SPR-BCOVER
Standard cover	—	DXG-SPR-FR1CVR	DXG-SPR-FR1CVR

Note

^① Factory recommended spare parts.

Technical Data and Specifications

PowerXL Series—DG1 Technical Data and Specifications

Attribute	Description	Specification	
Input ratings	Input voltage U_{in}	208 V to 240 V, 380 V to 500 V, 525 V to 600 V, -15 to 10%	
	Input frequency	50 Hz to 60 Hz (variation up to 45 Hz to 66 Hz)	
	Connection to power	Once per minute or less	
	Starting delay	3 s (FR1 to FR2), 4 s (FR3), 5 s (FR4), 6 s (FR5 and FR6)	
	Short-circuit withstand rating	100 kAIC (fuses and circuit breakers); 5 kAIC (without fuses or breakers)	
Output ratings	Output voltage	0 to U_{in}	
	Continuous output current	I_L : ambient temperature maximum 40 °C, up to 60 °C with derating, overload 1.1 x I_L (1 min./10 min.) I_H : ambient temperature maximum 50 °C, up to 60 °C with derating, overload 1.5 x I_H (1 min./10 min.)	
	Overload current	150% of drive rating for constant torque, 110% for variable torque	
	Initial output current	200% (2 s / 20 s)	
	Output frequency	0–400 Hz (standard)	
	Frequency resolution	0.01 Hz	
Control characteristics	Control methods	Frequency control Speed control Open-loop speed control Open-loop torque control	
	Switching frequency	230 V / 480 V range: FR1–3: 1 kHz to 12 kHz FR4–6: 1 kHz to 10 kHz 230 V / 480 V defaults: FR1–3: 4 kHz FR4–5: 3.6 kHz FR6: 2 kHz 575 V range: FR1–6: 1 kHz to 6 kHz 575 V defaults: FR1–4: 3 kHz FR5–6: 2 kHz Automatic switching frequency derating in case of overload.	
	Frequency reference	Analog input: resolution 0.1% (10-bit), accuracy +1% Analog output: resolution 0.1% (10-bit), accuracy +1% Panel reference: resolution 0.01 Hz	
	Field weakening point	20 Hz to 400 Hz	
	Acceleration time	0.1 s to 3000 s	
	Deceleration time	0.1 s to 3000 s	
	Braking torque	DC brake: 30% x Motor Rated Torque (T_n) (without brake chopper) Dynamic braking (with optional brake chopper using an external brake resistor): 100% continuous maximum rating	
	Ambient conditions	Ambient operating temperature	-10 °C (no frost) to +50 °C, up to +60 °C with derating (CT) -10 °C (no frost) to +40 °C, up to +60 °C with derating (VT)
		Storage temperature	-40 °C to +70 °C
		Relative humidity	0–95% RH, noncondensing, non-corrosive
Air quality: • Chemical vapors • Mechanical particles		Tested according to IEC 60068-2-60 Test Key: Flowing mixed gas corrosion test, Method 1 (H ₂ S [hydrogen sulfide] and SO ₂ [sulfur dioxide]) Designed according to: IEC 60721-3-3, unit in operation, class 3C2 IEC 60721-3-3, unit in operation, class 3S2	
Altitude		100% load capacity (no derating) up to 3280 ft (1000 m); 1% derating for each 328 ft (100 m) above 3280 ft (1000 m); max. 9842 ft (3000 m) (2000 m for corner grounded earth main systems) For 575 V product, maximum altitude is 6561 ft (2000 m) regardless of main system	

2.6

Adjustable Frequency Drives

PowerXL DG1 Series Drives

PowerXL Series—DG1 Technical Data and Specifications, continued

2

Attribute	Description	Specification
Ambient conditions, continued	Vibration:	5–150 Hz
	• EN 61800-5-1	Displacement amplitude: 1 mm (peak) at 5 Hz to 15.8 Hz (FR1–FR6)
	• EN 60668-2-6	Maximum acceleration amplitude: 1g at 15.8 Hz to 150 Hz (FR1–FR6)
	Shock:	Storage and shipping: maximum 15 g, 11 ms (in package)
	• ISTA 1 A	
	• EN 60068-2-27	
	Overvoltage	Overvoltage Category III
	Pollution degree	Pollution Degree 2
	Enclosure class	IP21/Type 1 standard in entire kW/hp range IP54/Type 12 option Note: Keypad or keypad hole plug required to be mounted in drive for IP54/Type 12 rating
	Immunity	Fulfills EN 61800-3 (2004), first and second environment
MTBF		FR1: 165,457 hours
		FR2: 134,833 hours
		FR3: 102,515 hours
		FR4: 121,567 hours
		FR5: 108,189 hours
		FR6: 100,000 hours
Noise		FR1: 51.2 dB
		FR2: 58.6 dB
		FR3: 61.0 dB
		FR4: 68.0 dB
		FR5: 69.1 dB
		FR6: 73.2 dB
Standards	Safety	UL 508C, CSA C22.2 No. 274-13 and EN 61800-5-1
	EMC	+EMC2: EN 61800-3 (2004), Category C2 The drive can be modified for IT networks and corner grounding TN system
	Electrostatic discharge	Second environment, IEC 61000-4-2, 4 kV CD or 8 kV AD, Criterion B
	Fast transient burst	Second environment, IEC 61000-4-4, 2 kV/5 kHz, Criterion B
	Dielectrical strength	Primary to secondary: 3600 Vac/5100 Vdc Primary to earth: 2000 Vac/2828 Vdc
	Approvals	EAC, RCM (C-Tick), RoHS, CE, UL and cUL (see nameplate for more detailed approvals)
Fieldbus connections		Onboard: EtherNet/IP, Modbus® TCP, Modbus RTU, BACnet

PowerXL Series—DG1 Technical Data and Specifications, continued

Attribute	Description	Specification
Safety/protections	Overtoltage protection	Yes
	Overtoltage trip limit	230 V drives: 456 V 480 V drives: 911 V 575 V drives: 1100 V
	Undervoltage protection	Yes
	Undervoltage trip limit	230 V drives: 211 V 480 V drives: 370 V 575 V drives: 550 V
	Earth fault protection	Yes Default: 15% motor FLA Minimum: 0% motor FLA Maximum: 30% motor FLA
	Input phase supervision	Yes
	Motor phase supervision	Yes
	Overcurrent protection	Yes
	Unit overtemperature protection	Yes
	Motor overload protection	Yes
	Motor stall protection	Yes
	Motor underload protection	Yes
	DC bus overvoltage control	Yes
	Short-circuit protection of 24 V reference voltages	Yes
	Surge protection	Yes (differential mode 2 kV; common mode 4 kV 230 V drives: 275 Vac, 10,000 A 480 V drives: 320 Vac, 8000 A 575 V drives: 385 Vac, 10,000 A
Common coated boards	Yes (prevents corrosion)	

2.6

Adjustable Frequency Drives

PowerXL DG1 Series Drives

PowerXL Series—DG1 Technical Data and Specifications—Efficiency

2

230 V

Frame Size	Load Torque	Efficiency		Input THDi
		VT	CT	
FR1	25%	92.10%	90.90%	42.8%
	50%	95.20%	95.20%	35.2%
	100%	96.70%	96.20%	29.9%
FR2	25%	90.80%	94.20%	70.0%
	50%	96.64%	97.09%	46.6%
	100%	97.30%	97.30%	33.3%
FR3	25%	97.23%	97.06%	53.1%
	50%	97.37%	97.17%	43.6%
	100%	97.00%	97.20%	30.8%
FR4	25%	94.60%	94.30%	39.4%
	50%	97.20%	97.10%	32.4%
	100%	97.60%	97.60%	25.6%
FR5	25%	94.5	94.30%	30.50%
	50%	97.80%	97.60%	30.8%
	100%	97.70%	97.80%	25.0%

575 V

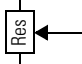
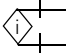





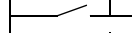



Frame Size	Load Torque	Efficiency		Input THDi
		VT	CT	
FR1	25%	97.48%	97.25%	62.6%
	50%	97.79%	97.66%	45.6%
	100%	98.10%	97.60%	36.8%
FR2	25%	98.06%	97.98%	60.6%
	50%	98.19%	98.11%	47.2%
	100%	98.20%	98.10%	36.7%
FR3	25%	97.98%	97.77%	78.9%
	50%	98.32%	98.18%	55.5%
	100%	98.10%	98.10%	36.3%
FR4	25%	98.27%	97.96%	66.1%
	50%	98.57%	98.44%	41.6%
	100%	98.30%	98.30%	31.2%
FR5	25%	98.60%	98.50%	52.80%
	50%	98.81%	98.78%	35.9%
	100%	98.60%	98.70%	28.4%

480 V

Frame Size	Load Torque	Efficiency		Input THDi
		VT	CT	
FR1	25%	93.30%	90.70%	54.0%
	50%	97.10%	96.98%	46.8%
	100%	97.61%	97.67%	35.3%
FR2	25%	95.90%	94.20%	59.8%
	50%	97.81%	98.34%	42.7%
	100%	98.11%	98.20%	33.8%
FR3	25%	96.40%	95.20%	69.2%
	50%	97.87%	97.99%	45.2%
	100%	97.79%	98.15%	32.6%
FR4	25%	98.00%	97.80%	56.5%
	50%	97.97%	97.89%	39.8%
	100%	97.96%	98.17%	31.5%
FR5	25%	97.8	97.60%	50.3%
	50%	98.39%	98.10%	37.0%
	100%	98.14%	98.19%	29.5%

Wiring Diagram

PowerXL Series—DG1 Control Wiring Diagram

External Wiring	Pin	Signal Name	Signal	Default Setting	Description
	1	+10 V	Ref. Output Voltage	—	10 Vdc Supply Source
	2	AI1+	Analog Input 1	0–10 V	Voltage Speed Reference (Programmable to 4 mA to 20 mA)
	3	AI1–	Analog Input 1 Ground	—	Analog Input 1 Common (Ground)
	4	AI2+	Analog Input 2	4 mA to 20 mA	Current Speed Reference (Programmable to 0–10 V)
	5	AI2–	Analog Input 2 Ground	—	Analog Input 2 Common (Ground)
	6	GND	I/O Signal Ground	—	I/O Ground for Reference and Control
	7	DIN5	Digital Input 5	Preset Speed B0	Sets frequency output to Preset Speed 1
	8	DIN6	Digital Input 6	Preset Speed B1	Sets frequency output to Preset Speed 2
	9	DIN7	Digital Input 7	—	—
	10	DIN8	Digital Input 8	Force Remote (TI+)	Input takes VFD from Local to Remote
	11	CMB	DI5 to DI8 Common	Grounded	Allows source input
	12	GND	I/O Signal Ground	—	I/O Ground for Reference and Control
	13	24 V	+24 Vdc Output	—	Control voltage output (100 mA max.)
	14	DO1	Digital Output 1	Ready	Shows the drive is ready to run
	15	24 Vo	+24 Vdc Output	—	Control voltage output (100 mA max.)
	16	GND	I/O Signal Ground	—	I/O Ground for Reference and Control
	17	AO1+	Analog Output 1	Output Frequency	Shows Output frequency to motor 0–60 Hz (4 mA to 20 mA)
	18	AO2+	Analog Output 2	Motor Current	Shows Motor current of motor 0–FLA (4 mA to 20 mA)
	19	24 Vi	+24 Vdc Input	—	External control voltage input
	20	DIN1	Digital Input 1	Run Forward	Input starts drive in forward direction (start enable)
	21	DIN2	Digital Input 2	Run Reverse	Input starts drive in reverse direction (start enable)
	22	DIN3	Digital Input 3	External Fault	Input causes drive to fault
	23	DIN4	Digital Input 4	Fault Reset	Input resets active faults
	24	CMA	DI1 to DI4 Common	Grounded	Allows source input
	25	A	RS-485 Signal A	—	Fieldbus Communication (Modbus, BACnet)
	26	B	RS-485 Signal B	—	Fieldbus Communication (Modbus, BACnet)
	27	R3NO	Relay 3 Normally Open	At Speed	Relay output 3 shows VFD is at Ref. Frequency
	28	R1NC	Relay 1 Normally Closed	Run	Relay output 1 shows VFD is in a run state
	29	R1CM	Relay 1 Common		
	30	R1NO	Relay 1 Normally Open		
	31	R3CM	Relay 3 Common	At Speed	Relay output 3 shows VFD is at Ref. Frequency
	32	R2NC	Relay 2 Normally Closed	Fault	Relay output 2 shows VFD is in a fault state
	33	R2CM	Relay 2 Common		
	34	R2NO	Relay 2 Normally Open		

Notes

The above wiring demonstrates a SINK configuration. It is important that CMA and CMB are wired to ground (as shown by dashed line).

If a SOURCE configuration is desired, wire 24 V to CMA and CMB and close the inputs to ground.

When using the +10 V for AI1, it is important to wire AI1– to ground (as shown by dashed line).

If using +10 V for AI1 or AI2, terminals 3, 5 and 6 need to be jumpered together.

2.6

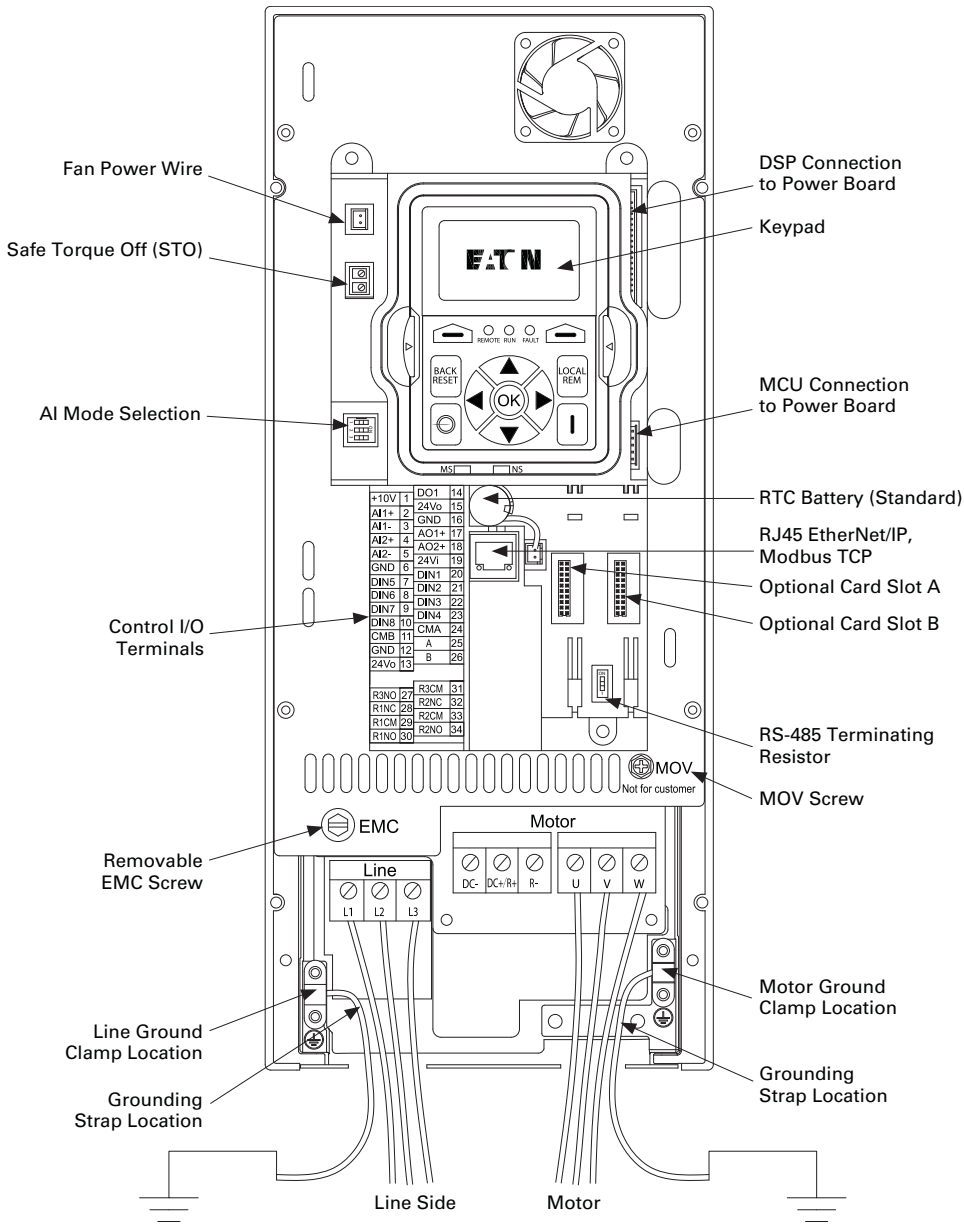
Adjustable Frequency Drives

PowerXL DG1 Series Drives

Control Board Layout

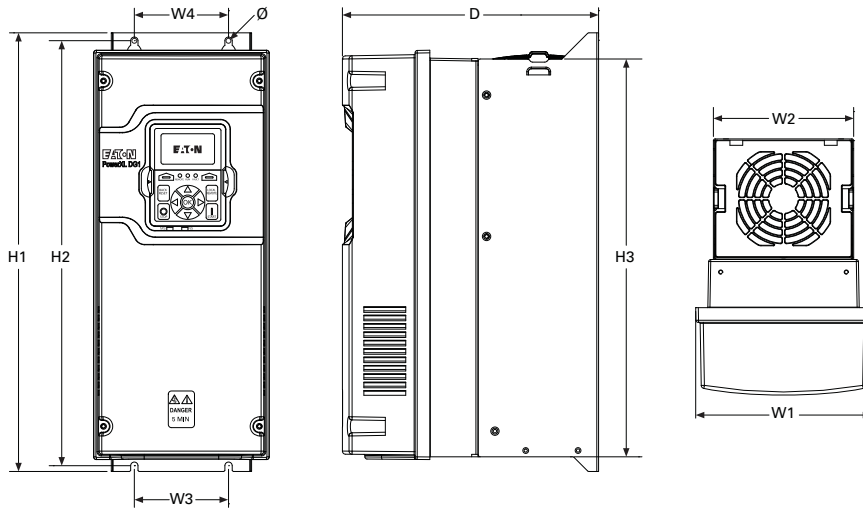
PowerXL Series—DG1 Control Board Layout

2



Dimensions

Approximate Dimensions in Inches (mm)

PowerXL Series—DG1 Dimensions

Frame Size	Voltage	hp (CT/I _H)	kW	Amperes (CT/I _H)	Approximate Dimensions in Inches (mm)									Weight Lb (kg)
					D	H1	H2	H3	W1	W2	W3	W4	Ø	
FR0	230 Vac	0.75–1.5	0.55–1.1	3.7–6.6	6.83	10.58	10.16	9.54	5.00	4.97	4.26	4.26	0.28	4.41
	480 Vac	1–3	0.75–2.2	2.2–5.6	(173.5)	(268.7)	(258)	(242.3)	(127)	(126.3)	(108.3)	(108.3)	(7.0)	(2.0)
FR1	230 Vac	0.75–3	0.55–2.2	3.5–11	7.91	12.87	12.28	11.50	6.02	4.80	3.94	3.94	0.28	14.33
	480 Vac	1–5	0.75–3.7	2.3–7.6	(200.9)	(326.9)	(311.9)	(292.1)	(153.0)	(121.9)	(100.1)	(100.1)	(7.0)	(6.5)
	575 Vac	2–5	1.5–3.7	3.3–7.5										
FR2	230 Vac	5–7.5	3–5.5	12.5–25	9.63	16.50	15.98	14.96	6.61	5.28	3.54	3.54	0.28	23.37
	480 Vac	7.5–15	5.5–11	12–23	(244.7)	(419.1)	(405.9)	(380.0)	(167.8)	(134.1)	(90.0)	(90.0)	(7.0)	(10.6)
	575 Vac	7.5–15	5.5–11	10–18										
FR3	230 Vac	10–15	7.5–11	31–48	10.44	21.97	21.46	20.41	8.06	7.24	4.92	4.92	0.35	49.82
	480 Vac	20–30	15–22	31–46	(265.1)	(558.0)	(545.0)	(518.5)	(204.6)	(183.9)	(125.0)	(125.0)	(9.0)	(22.6)
	575 Vac	20–30	15–22	22–34										
FR4	230 Vac	20–30	15–22	61–88	11.57	24.80	24.31	23.27	9.36	9.13	8.07	8.07	0.35	77.60
	480 Vac	40–60	30–45	61–87	(294.0)	(629.9)	(617.5)	(591.1)	(237.7)	(231.9)	(205.0)	(205.0)	(9.0)	(35.2)
	575 Vac	40–60	30–45	41–62										
FR5	230 Vac	40–60	30–45	114–170	13.41	34.98	29.65	27.83	11.34	11.10	8.66	8.66	0.35	154.32
	480 Vac	75–125	55–90	105–170	(340.7)	(888.5)	(753.1)	(706.9)	(288.0)	(281.9)	(220.0)	(220.0)	(9.0)	(70.0)
	575 Vac	75–125	55–90	80–125										
FR6	230 Vac	75–100	55–75	211–248	14.61	34.04	33.27	40.75	19.13	18.90	15.75	15.75	0.35	281.3
	480 Vac	150–200	110–150	205–261	(371.0)	(864.5)	(845.0)	(1035.0)	(486.0)	(480.0)	(400.0)	(400.0)	(9.0)	(127.6)
	575 Vac	150–200	110–160	144–208										
FR7	480 Vac	250–450	160–250	311–520	20.51	38.58	34.25	34.49	19.92	19.92	17.99	18.74	0.98	452
	575 Vac	250–400	187–298	261–416	(507.0)	(980.0)	(870.0)	(876.0)	(506.0)	(506.0)	(457.0)	(476.0)	(25.0)	(205.0)
	690 Vac	335–536	250–400	261–416										
FR7 with brake chopper	480 Vac	250–450	160–250	311–520	20.67	60.55	56.81	59.13	19.92	19.92	15.91	18.74	0.98	904
	575 Vac	250–400	187–298	261–416	(525.0)	(1538.0)	(1442.0)	(1501.9.0)	(506.0)	(506.0)	(404.0)	(476.0)	(25.0)	(410.0)
	690 Vac	335–536	250–400	261–416										
FR8	480 Vac	500–800	315–500	590–920	20.51	38.58	34.25	34.49	39.84	39.84	17.99	18.74	0.98	904
	575 Vac	450–650	336–485	460–650	(507.0)	(980.0)	(870.0)	(876.0)	(1012.0)	(1012.0)	(457.0)	(476.0)	(25.0)	(410.0)
	690 Vac	603–845	450–630	460–650										
FR8 with brake chopper	480 Vac	500–800	315–500	590–920	20.67	60.55	56.81	59.13	39.84	39.84	15.91	18.74	0.98	1808
	575 Vac	450–650	336–485	460–650	(525.0)	(1538.0)	(1442.0)	(1501.9.0)	(1012.0)	(1012.0)	(404.0)	(476.0)	(25.0)	(820.0)
	690 Vac	603–845	450–630	460–650										

Note: The FR8 drive includes 2 FR7 power units coupled together.

DG1 General Purpose Enclosed Drive**PowerXL DG1 Series Enclosed Drives****Product Description**

The DG1 Enclosed Drive family incorporates the latest Eaton drive technology into pre-engineered enclosed solutions covering the industry's most common applications. Using the benefits of the PowerXL DG1, the enclosed family provides enhanced user safety with the Safe Torque feature as well as industry-leading energy efficiency from the patented Active Energy Control algorithm. Eaton further raises the bar by providing customers with industry best lead times with the Rapid Response System. This system allows customers to select from 9 million standard configurations that have been pre-engineered with each configuration having a set lead time. The Rapid Response System delivers an improved quotation process and a faster delivery.

Features and Benefits

- Dual rated for both constant torque (CT) / high overload (I_H) and variable torque (VT) / low overload applications
- Optional Brake Chopper for external braking applications
- Available circuit breaker, motor circuit protector, fused disconnect, isolation fusing and surge protection device options to provide input power protection
- Optional 3% input and output reactors provide a reduction in voltage and current harmonics on both line and load side
- Bypass options include a standard three-contactor design and a reduced voltage soft starter design
- Output contactor option provides a means for positive disconnection of the drive output from the motor terminals
- MotoRX and dV/dt filter options are used to reduce transients voltages at the motor terminals
- Customizable cover control options
- Padlockable disconnect

Contents**Description**

Description	Page
PowerXL DG1 Series Drives	V6-T2-48
PowerXL DG1 Series Enclosed Drives	
Catalog Number Selection	V6-T2-75
Production Selection	V6-T2-77
Enclosure Selection	V6-T2-81
Accessories	V6-T2-82
Options	V6-T2-83
Technical Data and Specifications	V6-T2-84
Wiring Diagram	V6-T2-86
Dimensions	V6-T2-87

Standards and Certifications

- UL 508C



- The PowerXL DG1 comes standard with the following communication protocols:

- EtherNet/IP
- Modbus/TCP
- Modbus RTU
- BACnet MS/TP

Communication Options

- PROFIBUS-DP
- LonWorks
- CANopen
- DeviceNet

Enclosure Ratings

- NEMA Type 1
- NEMA Type 12
- NEMA Type 3R

Mounting

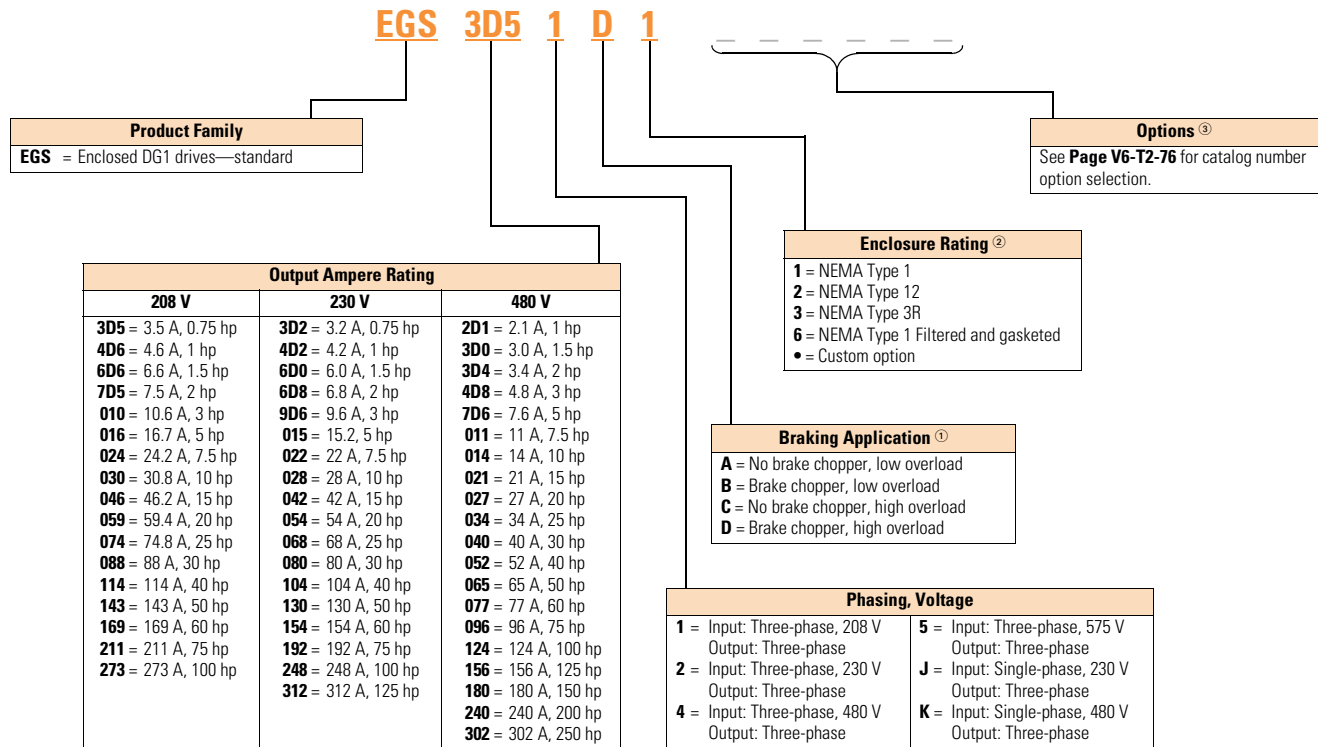
- Wall mount
- Floor mount: 12-inch legs
- Floor mount: 22-inch legs

Product Range

- 208 V: 0.75–100 hp
- 230 V: 0.75–125 hp
- 480 V: 1–250 hp
- 230 V single-phase: 1–30 hp
- 480 V single-phase: 1.5–60 hp

Catalog Number Selection

Catalog Number Selection is for reference only. Not all option combinations may be available.

DG1 Enclosed—Base Catalog Number**Notes**

- ① Brake chopper is a factory-installed option only. Braking resistors sold separately. See DG1 drives starting on Page V6-T2-59 for selection.
- ② Additional enclosure options including NEMA 4, 4X, 7 and 9 are available. Please contact the factory for configuration and pricing.
- ③ Part number configuration continued on the following page.

2.6

Adjustable Frequency Drives

PowerXL DG1 Series Drives

Catalog Number Selection is for reference only. Not all option combinations may be available.

DG1 Enclosed—Catalog Number Options

2

EGS 3D5 1 D 1

2 0 0 B 1 0 0 0 0

Base Catalog Number Example
See **Page V6-T2-75** for base catalog number selection.

Power Disconnect Options

- 0 = None
- 1 = MCP disconnect ①
- 2 = Circuit breaker
- 3 = Circuit breaker/isolation fusing
- 4 = Circuit breaker/isolation fusing/3% input reactor
- 5 = Circuit breaker/isolation fusing/SPD
- 6 = Circuit breaker/isolation fusing/SPD/3% input reactor
- 7 = Circuit breaker/3% input reactor
- 8 = Circuit breaker/SPD
- 9 = Circuit breaker/SPD/3% input reactor
- A = Fused disconnect
- B = Fused disconnect/SPD
- C = Fused disconnect/SPD/3% input reactor
- D = Fused disconnect/3% input reactor
- E = Isolation fuses
- F = Isolation fuses/3% input reactor
- G = Isolation fuses/SPD
- H = Isolation fuses/SPD/3% input reactor
- = Custom option ②

Bypass Options ③

- 0 = None
- 1 = Manual HOA bypass
- 2 = Manual HOA bypass/isolation fusing
- 3 = Manual HOA bypass/isolation fusing/3% input reactor
- 4 = Manual HOA bypass/isolation fusing/SPD
- 5 = Manual HOA bypass/isolation fusing/SPD/3% input reactor
- 6 = Manual HOA bypass/3% input reactor
- 7 = Manual HOA bypass/SPD
- 8 = Manual HOA bypass/SPD/3% input reactor
- H = Manual HOA RVSS bypass
- J = Manual HOA RVSS bypass/isolation fusing
- K = Manual HOA RVSS bypass/isolation fusing/3% input reactor
- L = Manual HOA RVSS bypass/isolation fusing/SPD
- M = Manual HOA RVSS bypass/isolation fusing/SPD/3% input reactor
- N = Manual HOA RVSS bypass/3% input reactor
- P = Manual HOA RVSS bypass/SPD
- R = Manual HOA RVSS bypass/SPD/3% input reactor
- = Custom option ②

Output Power Options ④

- 0 = None
- A = Output contactor
- B = 3% Output reactor
- D = dV/dt filter
- E = 3% Output Reactor/output contactor
- G = dV/dt/output contactor
- = Custom option ②

Control Options ⑤

- 0 = None
- 1 = Speed pot
- 2 = Start-stop pushbutton
- 3 = Start-stop pushbutton with speed pot
- A = HOA switch
- B = Start-stop pushbutton with speed pot & HOA switch
- C = Start-stop pushbutton with HOA switch
- D = HOA switch with speed pot
- = Custom option ②

Option Boards 2
Same options and codes as Option Boards 1

Option Boards 1

- 0 = No option
- 1 = 3 x DI, 3 x DO, 1 Thermistor, 24 Vdc/EXT
- 2 = 1 x AI, 2 x AO (isolated to control board)
- 3 = 3 x relay dry contact (2NO + 1NO/NC)
- 4 = 3 x PT100 RTD thermistor input
- 5 = 6 DI 240 Vac input
- = Custom option ②

Communication Options

- 0 = No option
- 1 = PROFIBUS-DP
- 3 = CANopen (slave)
- 4 = DeviceNet
- 5 = PROFIBUS-DP (D9 connector)
- D = SmartWire-DT
- = Custom option ②

Enclosure Options

- 0 = None
- 1 = Floor stand—12 inches
- 2 = Floor stand—22 inches
- A = Space heater
- B = Space heater & 12-inch floor stands
- C = Space heater & 22-inch floor stands
- = Custom option ②

Light Options ⑤

- 0 = None
- 1 = Non-bypass light kit—Power On, Run, Fault
- 2 = Bypass light kit—On, VFD Run, Fault, Bypass Run
- = Custom option ②

Notes

- ① HMCP disconnect option required and only available when bypass is selected.
- ② More options are available as Engineered to Order through the Bid Manager tool.
- ③ All bypass options include third contactor for drive isolation when in bypass mode.
- ④ Output contactor not available with bypass. Bypass comes standard with output contactor.
- ⑤ Pilot devices are 22 mm standard. 30 mm options are available as engineered to order through the Bid Manager tool.

Production Selection

DG1 Enclosed Drive



208 V Drives—Constant Torque (CT)/High Overload (IH) Enclosed Drives

hp	Current (A)	Drive Frame Size	NEMA Type 1	NEMA Type 12	NEMA Type 3R
			Base Catalog Number ^①	Base Catalog Number ^①	Base Catalog Number ^①
0.75	3.5	1	EGS3D51D1	EGS3D51D2	EGS3D51D3
1	4.6	1	EGS4D61D1	EGS4D61D2	EGS4D61D3
1.5	6.6	1	EGS6D61D1	EGS6D61D2	EGS6D61D3
2	7.5	1	EGS7D51D1	EGS7D51D2	EGS7D51D3
3	10.6	1	EGS0101D1	EGS0101D2	EGS0101D3
5	16.7	2	EGS0161D1	EGS0161D2	EGS0161D3
7.5	24.2	2	EGS0241D1	EGS0241D2	EGS0241D3
10	30.8	3	EGS0301D1	EGS0301D2	EGS0301D3
15	46.2	3	EGS0461D1	EGS0461D2	EGS0461D3
20	59.4	4	EGS0591C1	EGS0591C2	EGS0591C3
25	74.8	4	EGS0741C1	EGS0741C2	EGS0741C3
30	88	4	EGS0881C1	EGS0881C2	EGS0881C3
40	114	5	EGS1141C1	EGS1141C2	EGS1141C3
50	143	5	EGS1431C1	EGS1431C2	EGS1431C3
60	169	5	EGS1691C1	EGS1691C2	EGS1691C3
75 ^②	211	6	EGS2111C1 ^②	EGS2111C2 ^②	EGS2111C3 ^②
100 ^{②③}	261 ^③	6	EGS2611C1 ^②	EGS2611C2 ^②	EGS2611C3 ^②

DG1 Enclosed Drive



208 V Drives—Variable Torque (VT)/Low Overload (IL) Enclosed Drives

hp	Current (A)	Drive Frame Size	NEMA Type 1	NEMA Type 12	NEMA Type 3R
			Base Catalog Number ^①	Base Catalog Number ^①	Base Catalog Number ^①
1	4.6	1	EGS4D61B1	EGS4D61B2	EGS4D61B3
1.5	6.6	1	EGS6D61B1	EGS6D61B2	EGS6D61B3
2	7.5	1	EGS7D51B1	EGS7D51B2	EGS7D51B3
3	10.6	1	EGS0101B1	EGS0101B2	EGS0101B3
5	16.7	2	EGS0161B1	EGS0161B2	EGS0161B3
7.5	24.2	2	EGS0241B1	EGS0241B2	EGS0241B3
10	30.8	2	EGS0301B1	EGS0301B2	EGS0301B3
15	46.2	3	EGS0461B1	EGS0461B2	EGS0461B3
20	59.4	3	EGS0591B1	EGS0591B2	EGS0591B3
25	74.8	4	EGS0741A1	EGS0741A2	EGS0741A3
30	88	4	EGS0881A1	EGS0881A2	EGS0881A3
40	114	4	EGS1141A1	EGS1141A2	EGS1141A3
50	143	5	EGS1431A1	EGS1431A2	EGS1431A3
60	169	5	EGS1691A1	EGS1691A2	EGS1691A3
75	211	5	EGS2111A1	EGS2111A2	EGS2111A3
100 ^②	273	6	EGS2731A1 ^②	EGS2731A2 ^②	EGS2731A3 ^②

Notes

^① Table is for base catalog number reference only. For complete catalog number selection, see **Page V6-T2-76**.

^② Available in 2017.

^③ These units are current rated. They do not meet NEC ampere rating at this horsepower.

2.6

Adjustable Frequency Drives

PowerXL DG1 Series Drives

2

DG1 Enclosed Drive



230 V Drives—Constant Torque (CT)/High Overload (IH) Enclosed Drives

hp	Current (A)	Drive Frame Size	NEMA Type 1 Base Catalog Number ①	NEMA Type 12 Base Catalog Number ①	NEMA Type 3R Base Catalog Number ①
0.75	3.2	1	EGS3D22D1	EGS3D22D2	EGS3D22D3
1	4.2	1	EGS4D22D1	EGS4D22D2	EGS4D22D3
1.5	6	1	EGS6D02D1	EGS6D02D2	EGS6D02D3
2	6.8	1	EGS6D82D1	EGS6D82D2	EGS6D82D3
3	9.6	1	EGS9D62D1	EGS9D62D2	EGS9D62D3
5	15.2	2	EGS0152D1	EGS0152D2	EGS0152D3
7.5	22	2	EGS0222D1	EGS0222D2	EGS0222D3
10	28	3	EGS0282D1	EGS0282D2	EGS0282D3
15	42	3	EGS0422D1	EGS0422D2	EGS0422D3
20	54	4	EGS0542C1	EGS0542C2	EGS0542C3
25	68	4	EGS0682C1	EGS0682C2	EGS0682C3
30	80	4	EGS0802C1	EGS0802C2	EGS0802C3
40	104	5	EGS1042C1	EGS1042C2	EGS1042C3
50	130	5	EGS1302C1	EGS1302C2	EGS1302C3
60	154	5	EGS1542C1	EGS1542C2	EGS1542C3
75 ②	192	6	EGS1922C1 ②	EGS1922C2 ②	EGS1922C3 ②
100 ②	248	6	EGS2482C1 ②	EGS2482C2 ②	EGS2482C3 ②

DG1 Enclosed Drive



230 V Drives—Variable Torque (VT)/Low Overload (IL) Enclosed Drives

hp	Current (A)	Drive Frame Size	NEMA Type 1 Base Catalog Number ①	NEMA Type 12 Base Catalog Number ①	NEMA Type 3R Base Catalog Number ①
1	4.2	1	EGS4D22B1	EGS4D22B2	EGS4D22B3
1.5	6	1	EGS6D02B1	EGS6D02B2	EGS6D02B3
2	6.8	1	EGS6D82B1	EGS6D82B2	EGS6D82B3
3	9.6	1	EGS9D62B1	EGS9D62B2	EGS9D62B3
5	15.2	2	EGS0152B1	EGS0152B2	EGS0152B3
7.5	22	2	EGS0222B1	EGS0222B2	EGS0222B3
10	28	2	EGS0282B1	EGS0282B2	EGS0282B3
15	42	3	EGS0422B1	EGS0422B2	EGS0422B3
20	54	3	EGS0542B1	EGS0542B2	EGS0542B3
25	68	4	EGS0682A1	EGS0682A2	EGS0682A3
30	80	4	EGS0802A1	EGS0802A2	EGS0802A3
40	104	4	EGS1042A1	EGS1042A2	EGS1042A3
50	130	5	EGS1302A1	EGS1302A2	EGS1302A3
60	154	5	EGS1542A1	EGS1542A2	EGS1542A3
75	192	5	EGS1922A1	EGS1922A2	EGS1922A3
100 ②	248	6	EGS2482A1 ②	EGS2482A2 ②	EGS2482A3 ②
125 ②	312	6	EGS3122A1 ②	EGS3122A2 ②	EGS3122A3 ②

Notes

- ① Table is for base catalog number reference only. For complete catalog number selection, see [Page V6-T2-76](#).
- ② Available in 2017.

DG1 Enclosed Drive



480 V Drives—Constant Torque (CT)/High Overload (IH) Enclosed Drives

hp	Current (A)	Drive Frame Size	NEMA Type 1 Base Catalog Number ^①	NEMA Type 12 Base Catalog Number ^①	NEMA Type 3R Base Catalog Number ^①
1	2.1	1	EGS2D14D1	EGS2D14D2	EGS2D14D3
1.5	3	1	EGS3D04D1	EGS3D04D2	EGS3D04D3
2	3.4	1	EGS3D44D1	EGS3D44D2	EGS3D44D3
3	4.8	1	EGS4D84D1	EGS4D84D2	EGS4D84D3
5	7.6	1	EGS7D64D1	EGS7D64D2	EGS7D64D3
7.5	11	2	EGS0114D1	EGS0114D2	EGS0114D3
10	14	2	EGS0144D1	EGS0144D2	EGS0144D3
15	21	2	EGS0214D1	EGS0214D2	EGS0214D3
20	27	3	EGS0274D1	EGS0274D2	EGS0274D3
25	34	3	EGS0344D1	EGS0344D2	EGS0344D3
30	40	3	EGS0404D1	EGS0404D2	EGS0404D3
40	52	4	EGS0524C1	EGS0524C2	EGS0524C3
50	65	4	EGS0654C1	EGS0654C2	EGS0654C3
60	77	4	EGS0774C1	EGS0774C2	EGS0774C3
75	96	5	EGS0964C1	EGS0964C2	EGS0964C3
100	124	5	EGS1244C1	EGS1244C2	EGS1244C3
125	156	5	EGS1564C1	EGS1564C2	EGS1564C3
150 ^②	180	6	EGS1804C1 ^②	EGS1804C2 ^②	EGS1804C3 ^②
200 ^②	240	6	EGS2404C1 ^②	EGS2404C2 ^②	EGS2404C3 ^②

DG1 Enclosed Drive



480 V Drives—Variable Torque (VT)/Low Overload (IL) Enclosed Drives

hp	Current (A)	Drive Frame Size	NEMA Type 1 Base Catalog Number ^①	NEMA Type 12 Base Catalog Number ^①	NEMA Type 3R Base Catalog Number ^①
1.5	3	1	EGS3D04B1	EGS3D04B2	EGS3D04B3
2	3.4	1	EGS3D44B1	EGS3D44B2	EGS3D44B3
3	4.8	1	EGS4D84B1	EGS4D84B2	EGS4D84B3
5	7.6	1	EGS7D64B1	EGS7D64B2	EGS7D64B3
7.5	11	1	EGS0114B1	EGS0114B2	EGS0114B3
10	14	2	EGS0144B1	EGS0144B2	EGS0144B3
15	21	2	EGS0214B1	EGS0214B2	EGS0214B3
20	27	2	EGS0274B1	EGS0274B2	EGS0274B3
25	34	3	EGS0344B1	EGS0344B2	EGS0344B3
30	40	3	EGS0404B1	EGS0404B2	EGS0404B3
40	52	3	EGS0524B1	EGS0524B2	EGS0524B3
50	65	4	EGS0654A1	EGS0654A2	EGS0654A3
60	77	4	EGS0774A1	EGS0774A2	EGS0774A3
75	96	4	EGS0964A1	EGS0964A2	EGS0964A3
100	124	5	EGS1244A1	EGS1244A2	EGS1244A3
125	156	5	EGS1564A1	EGS1564A2	EGS1564A3
150	180	5	EGS1804A1	EGS1804A2	EGS1804A3
200 ^②	240	6	EGS2404A1 ^②	EGS2404A2 ^②	EGS2404A3 ^②
250 ^②	302	6	EGS3024A1 ^②	EGS3024A2 ^②	EGS3024A3 ^②

Notes

^① Table is for base catalog number reference only. For complete catalog number selection, see **Page V6-T2-76**.

^② Available in 2017.

DG1 Enclosed Drive



230 V Single-Phase Drives—Variable Torque (VT)/Low Overload (IL) Enclosed Drives

hp	Current (A)	Drive Frame Size	NEMA Type 1 Base Catalog Number ^①	NEMA Type 12 Base Catalog Number ^①	NEMA Type 3R Base Catalog Number ^①
Low Overload (VT) Enclosed Drives					
0.75	3.2	1	EGS3D2JB1	EGS3D2JB2	EGS3D2JB3
1	4.2	1	EGS4D2JB1	EGS4D2JB2	EGS4D2JB3
1.5	6	2	EGS6D0JB1	EGS6D0JB2	EGS6D0JB3
2	6.8	2	EGS6D8JB1	EGS6D8JB2	EGS6D8JB3
3	9.6	2	EGS9D6JB1	EGS9D6JB2	EGS9D6JB3
5	15.2	2	EGS015JB1	EGS015JB2	EGS015JB3
7.5	22	3	EGS022JB1	EGS022JB2	EGS022JB3
10	28	3	EGS028JB1	EGS028JB2	EGS028JB3
15	42	4	EGS042JB1	EGS042JB2	EGS042JB3
20	54	4	EGS054JB1	EGS054JB2	EGS054JB3
25	68	5	EGS068JA1	EGS068JA2	EGS068JA3
30	80	5	EGS080JA1	EGS080JA2	EGS080JA3
40	104	5	EGS104JA1	EGS104JA2	EGS104JA3

DG1 Enclosed Drive



480 V Single-Phase Drives—Variable Torque (VT)/Low Overload (IL) Enclosed Drives

hp	Current (A)	Drive Frame Size	NEMA Type 1 Base Catalog Number ^①	NEMA Type 12 Base Catalog Number ^①	NEMA Type 3R Base Catalog Number ^①
Low Overload (VT) Enclosed Drives					
1	2.1	1	EGS2D1KB1	EGS2D1KB2	EGS2D1KB3
1.5	3	1	EGS3D0KB1	EGS3D0KB2	EGS3D0KB3
2	3.4	1	EGS3D4KB1	EGS3D4KB2	EGS3D4KB3
3	4.8	1	EGS4D8KB1	EGS4D8KB2	EGS4D8KB3
5	7.6	2	EGS7D6KB1	EGS7D6KB2	EGS7D6KB3
7.5	11	2	EGS011KB1	EGS011KB2	EGS011KB3
10	14	2	EGS014KB1	EGS014KB2	EGS014KB3
15	21	3	EGS021KB1	EGS021KB2	EGS021KB3
20	27	4	EGS027KB1	EGS027KB2	EGS027KB3
25	34	4	EGS034KB1	EGS034KB2	EGS034KB3
30	40	4	EGS040KB1	EGS040KB2	EGS040KB3
40	52	5	EGS052KB1	EGS052KB2	EGS052KB3
50	65	5	EGS065KA1	EGS065KA2	EGS065KA3
60	77	5	EGS077KA1	EGS077KA2	EGS077KA3

Note

^① Table is for base catalog number reference only. For complete catalog number selection, see **Page V6-T2-76**.

Enclosure Selection

EGS

Enclosure selection charts are based on physical space limitations only and only to be used as a reference. For actual enclosure sizing, refer to Bid Manager.

Note: Standard enclosure sizing includes dedicated space for a circuit breaker or fusible disconnect, CPT, SPD, heater/thermostat, control relay and terminal blocks.

Standard Enclosure X-Space

Enclosure Size	Frame 1	Frame 2	Frame 3	Frame 4	Frame 5
AX	2	2	2	—	—
BX	4	4	4	4	—
CX	7	7	7	7	7
DX	18	18	18	18	18

Standard Power Options X-Space

Power Options	Frame 1	Frame 2	Frame 3	Frame 4	Frame 5
Isolation fuses	1	1	1	1	1
3% Input reactor	2	2	3	5	6
3% Output reactor	1	1	3	5	6
dV/dt filter	3	3	3	5	6
Output contactor	1	1	1	1	1

Note: Bypass enclosure sizing includes dedicated space for a MCP, CPT, input contactor, output bypass contactors, overload relay, SPD, heater/thermostat, control relay and terminal blocks.

Bypass Enclosure X-Space

Enclosure Size	Frame 1	Frame 2	Frame 3	Frame 4	Frame 5
AX	0	0	0	—	—
BX	2	2	2	0	—
CX	5	5	5	3	2
DX	16	16	16	14	13

Bypass Power Options X-Space

Power Options	Frame 1	Frame 2	Frame 3	Frame 4	Frame 5
Isolation fuses	1	1	1	1	1
3% Input reactor	2	2	3	5	6
RVSS bypass	2	2	2	3	4
3% output reactor	1	1	3	5	6
dV/dt filter	3	3	3	5	6

Note: Single-phase enclosure sizing includes dedicated space for a capacitor kit, circuit breaker or fusible disconnect, CPT, SPD, heater/thermostat, control relay and terminal blocks.

Single-Phase Enclosure X-Space

Enclosure Size	Frame 1	Frame 2	Frame 3	Frame 4	Frame 5
AX	0	0	—	—	—
BX	2	2	1	1	—
CX	5	5	4	4	4
DX	16	16	15	15	15

Single-Phase Power Options X-Space

Power Options	Frame 1	Frame 2	Frame 3	Frame 4	Frame 5
Isolation fuses	1	1	1	1	1
3% Input reactor	2	2	3	5	6
3% Output reactor	1	1	3	5	6
dV/dt filter	3	3	3	5	6
Output contactor	1	1	1	1	1

Accessories

The PowerXL Series—DG1 drives can accommodate a wide selection of expander and adapter option boards to customize the drive for your application needs. The drive's control unit is designed to accept a total of two additional option boards.

The PowerXL Series—DG1 drives come with a factory-installed standard board configuration including the following:

- Standard I/O:
 - 8DI, 1DO
 - 2AI, 2AO
 - 2FC, 1FA relays
- Standard communications:
 - EtherNet/IP, Modbus TCP
 - RS-485: Modbus RTU, BACnet MS/TP

PowerXL Series—DG1 I/O Card Kits

Description	Catalog Number
3 x DI, 3 x DO, 1 x thermistor, 24 Vdc/EXT option card	DXG-EXT-3DI3DO1T
1 x AI, 2 x AO (isolated to control board) option card	DXG-EXT-1AI2AO
3 x relay dry contact (2NO + 1NO/NC) option card	DXG-EXT-3R0
3 x PT100 RTD thermistor input option card	DXG-EXT-THER1
6 x DI 240 Vac input option card	DXG-EXT-6DI

PowerXL Series—DG1 Communication Card Kits

Description	Catalog Number
PROFIBUS-DP communication card	DXG-NET-PROFB
CANopen communication card	DXG-NET-CANOPEN
DeviceNet communication card	DXG-NET-DEVICENET
PROFIBUS DB9 to 5-pin adapter card	DXG-NET-PROAD
SmartWire communication card and module	DXG-NET-SWD ^①

Note

^① Available in January 2017.

Options

Input Power Options

Option	Description
HMCP Disconnect	The HMCP motor protection circuit breaker uses an electronic trip unit to provide typical motor overload relay functionality and short-circuit protection against potential phase-to-phase or phase-to-ground faults.
Circuit Breaker	Utilizes a circuit breaker to provide a means of short-circuit protection for the power cables between it and the drive, and protection from high-level ground faults on the power cable. Allows a convenient means of disconnecting the drive from the line, and the operating mechanism can be padlocked in the OFF position. This is factory mounted in the enclosure.
Isolation Fusing	Provides high-level fault protection of the drive input power circuit from the load side of the fuses to the input side of the power transistors. This option consists of three 200 kA fuses that are factory mounted in the enclosure.
3% Input Reactor	The input reactor is a three-phase series inductance on the line side of an AFD. It is used to provide a reduction in voltage and current harmonics. It also provides increased input protection for AFD and its semiconductors from line transients.
SPD	Provides a UL 1449 surge protection device (SPD) rated for 40 kA/ph that is connected to the line side terminals.
Fused Disconnect	Utilizes fusing to provide a means of short-circuit protection for the power cables between it and the drive, and protection from high-level ground faults on the power cable. Allows a convenient means of disconnecting the drive from the line, and the operating mechanism can be padlocked in the OFF position. This is factory mounted in the enclosure.

Bypass Options

Option	Description
Manual HOA Bypass	Provides a three-position selector switch that allows the user to select either a HAND or AUTO mode of operation. HAND mode is defaulted keypad operation, and AUTO mode is defaulted to control from an external terminal source. These modes of operation can be configured via programming to allow for alternate combinations of start and speed sources. Start and speed sources include keypad, I/O and fieldbus.
Manual HOA RVSS Bypass	This option adds a reduced voltage soft starter to bypass assembly for soft starting in bypass mode.

Output Power Options

Option	Description
Output Contactor	Provides a means for positive disconnection of the drive output from the motor terminals. The contactor coil is controlled by the drive's run or permissive logic. NC and NO auxiliary contacts rated at 10 A, 600 Vac are provided for customer use. This option includes a low VA 115 Vac fused control power transformer and is factory mounted in the enclosure.
3% Output Reactor	The output reactor is a three-phase series inductance on the load side of a VFD. It is used to reduce transient voltage (dv/dt) and peak voltages at the motor terminals. A 3% output filter is recommended for motor cable lengths up to 300 ft (10 m).
dV/dt Filter	Used to reduce the transient voltage (dV/dt) at the motor terminals. Recommended for motor cable lengths over 300 ft (10 m) and up to 1000 ft (304.8 m). This option is mounted in the enclosure.

Control Options

Option	Description
Speed Pot	Provides the ability to adjust the frequency reference using a door-mounted potentiometer. This option uses the 10 Vdc reference to generate a 0–10 V signal at the analog voltage input signal terminal. When the HOA bypass option is added, the speed is controlled when the HOA switch is in the HAND position. Without the HOA bypass option, a two-position switch (labeled local/remote) is provided on the keypad to select speed reference from the speed potentiometer or a remote speed signal.
HOA Switch	Provides a three-position selector switch that allows the user to select either a HAND or AUTO mode of operation. HAND mode is defaulted to keypad operation, and AUTO mode is defaulted to control from an external terminal source. These modes of operation can be configured via drive programming to allow for alternate combinations of start and speed sources. Start and speed sources include Keypad, I/O and fieldbus.
Start-Stop Pushbutton	Provides door-mounted START and STOP pushbuttons for either bypass or non-bypass configurations.

Light Options

Option	Description
Non-Bypass Light Kit—Power On, Run, Fault	Provides a white POWER ON light that indicates power to the enclosed cabinet, a green RUN light that indicates the drive is running and a red FAULT light that indicates a drive fault has occurred.
Bypass Light Kit—On, VFD Run, Fault, Bypass Run	Provides a white POWER ON light that indicates power to the enclosed cabinet, a green RUN light that indicates the drive is running, a red FAULT light that indicates a drive fault has occurred and an amber light that indicates when the motor is running in Bypass mode.

Enclosure Options

Option	Description
Floor Stand 12 in	Converts a normally wall-mounted enclosure to a floor-standing enclosure with a height of 12 in (304.8 mm).
Floor Stand 22 in	Converts a normally wall-mounted enclosure to a floor-standing enclosure with a height of 22 in (558.8 mm).

Technical Data and Specifications

PowerXL Series—DG1 Technical Data and Specifications

2

Attribute	Description	Specification	
Input ratings	Input voltage U_{in}	208 V, 230 V, 480 V, 575 V, –15 to 10%	
	Input frequency	50 Hz to 60 Hz (variation up to 45 Hz to 66 Hz)	
	Connection to power	Once per minute or less	
	Starting delay	3 s (FR1 to FR2), 4 s (FR3), 5 s (FR4), 6 s (FR5 and FR6)	
	Short-circuit withstand rating	100 kAIC (fuses and circuit breakers)	
Output ratings	Output voltage	0 to U_{in}	
	Output current	I_L : ambient temperature maximum 40 °C, up to 60 °C with derating, overload 1.1 x I_L (1 min./10 min.) I_H : ambient temperature maximum 50 °C, up to 60 °C with derating, overload 1.5 x I_H (1 min./10 min.)	
	Initial output current	200% (2 s / 20 s)	
	Output frequency	0–400 Hz (standard)	
	Frequency resolution	0.01 Hz	
Control characteristics	Control methods	Frequency control Speed control Open-loop speed control Open-loop torque control	
	Switching frequency	230 V / 480 V range: FR1–3: 1 kHz to 12 kHz FR4–6: 1 kHz to 10 kHz 230 V / 480 V defaults: FR1–3: 4 kHz FR4–5: 3.6 kHz FR6: 2 kHz 575 V range: FR1–6: 1 kHz to 6 kHz 575 V defaults: FR1–4: 3 kHz FR5–6: 2 kHz Automatic switching frequency derating in case of overload.	
	Frequency reference	Analog input: resolution 0.1% (10-bit), accuracy +1% Analog output: resolution 0.1% (10-bit), accuracy +1% Panel reference: resolution 0.01 Hz	
	Field weakening point	20 Hz to 400 Hz	
	Acceleration time	0.1 s to 3000 s	
	Deceleration time	0.1 s to 3000 s	
	Braking torque	DC brake: 30% x Motor Rated Torque (T_n) (without brake chopper) Dynamic braking (with optional brake chopper using an external brake resistor): 100% continuous maximum rating	
	Ambient conditions	Ambient operating temperature	–10 °C (no frost) to +40 °C
		Storage temperature	–40 °C to +70 °C
		Relative humidity	0–95% RH, noncondensing, non-corrosive
Air quality: • Chemical vapors • Mechanical particles		Tested according to IEC 60068-2-60 Test Key: Flowing mixed gas corrosion test, Method 1 (H ₂ S [hydrogen sulfide] and SO ₂ [sulfur dioxide]) Designed according to: IEC 60721-3-3, unit in operation, class 3C2 IEC 60721-3-3, unit in operation, class 3S2	
Altitude		100% load capacity (no derating) up to 3280 ft (1000 m); 1% derating for each 328 ft (100 m) above 3280 ft (1000 m); max. 9842 ft (3000 m) (2000 m for corner grounded earth main systems) For 575 V product, maximum altitude is 6561 ft (2000 m) regardless of main system	

PowerXL Series—DG1 Technical Data and Specifications, continued

Attribute	Description	Specification
Ambient conditions, continued	Overvoltage	Overvoltage Category III
	Pollution degree	Pollution Degree 2
	Enclosure class	NEMA Type 1, 12, 3R
	Immunity	Fulfills EN 61800-3 (2004), first and second environment
Standards	Safety	UL 508C, EN 61800-5-1
	Approvals	UL and cUL
Fieldbus connections		Onboard: EtherNet/IP, Modbus [®] TCP, Modbus RTU, BACnet
Safety/protections	Overvoltage protection	Yes
	Overvoltage trip limit	230 V drives: 456 V 480 V drives: 911 V 575 V drives: 1100 V
	Undervoltage protection	Yes
	Undervoltage trip limit	230 V drives: 211 V 480 V drives: 370 V 575 V drives: 550 V
	Earth fault protection	Yes Default: 15% motor FLA Minimum: 0% motor FLA Maximum: 30% motor FLA
	Input phase supervision	Yes
	Motor phase supervision	Yes
	Overcurrent protection	Yes
	Unit overtemperature protection	Yes
	Motor overload protection	Yes
	Motor stall protection	Yes
	Motor underload protection	Yes
	DC bus overvoltage control	Yes
	Short-circuit protection of 24 V reference voltages	Yes
	Surge protection	Yes (differential mode 2 kV; common mode 4 kV 230 V drives: 275 Vac, 10,000 A 480 V drives: 320 Vac, 8000 A 575 V drives: 385 Vac, 10,000 A
Common coated boards	Yes (prevents corrosion)	
Efficiency	Drive efficiency ratings [Ⓢ]	480 V: FR1 = 97.7% FR2 = 97.9% FR3 = 97.7% FR4 = 98.0% FR5 = 98.2%
		230 V: FR1 = 96.7% FR2 = 97.4% FR3 = 97.2% FR4 = 97.4% FR5 = 97.7%

Note

[Ⓢ] Based on DG1 efficiency ratings in an enclosure with no options.

2.6

Adjustable Frequency Drives

PowerXL DG1 Series Drives

Wiring Diagram

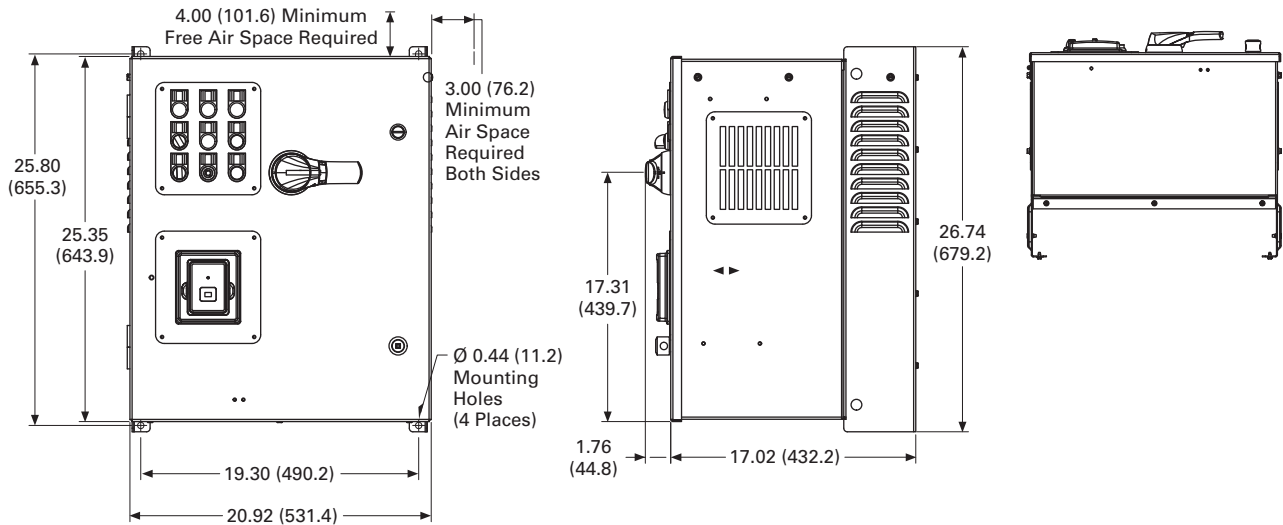
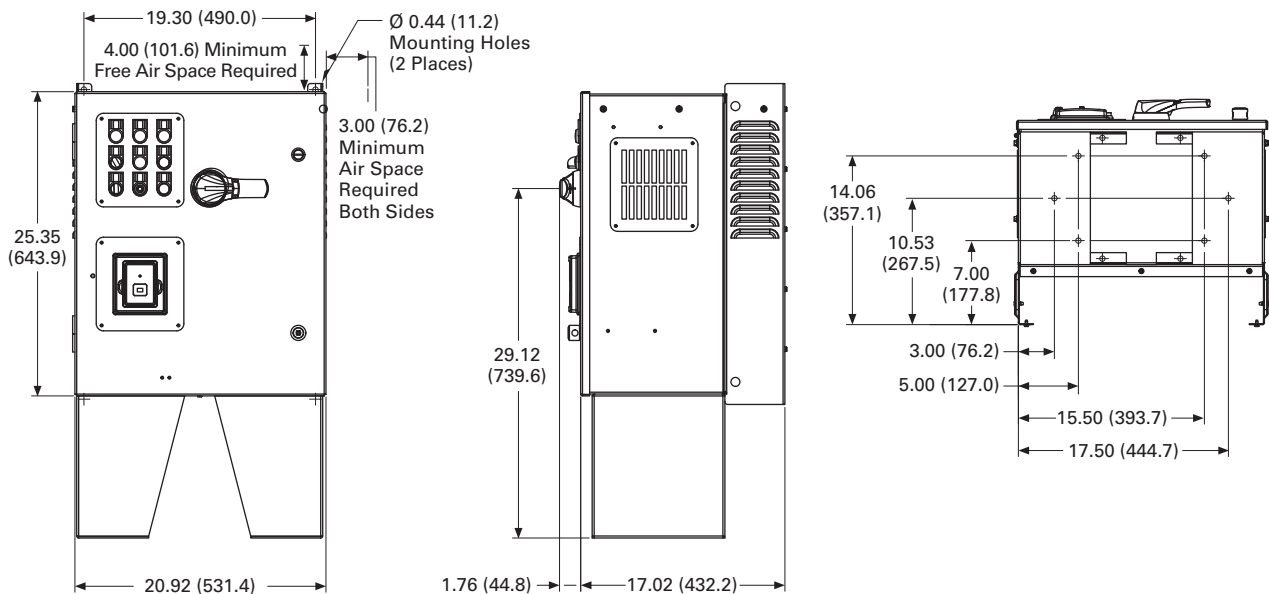
2

PowerXL Series—DG1 Control Wiring Diagram

Pin	Signal Name	Signal	Default Setting	Description
1	+10 V	Ref. Output Voltage	—	10 Vdc Supply Source
2	AI1+	Analog Input 1	0–10 V	Voltage Speed Reference (Programmable to 4 mA to 20 mA)
3	AI1–	Analog Input 1 Ground	—	Analog Input 1 Common (Ground)
4	AI2+	Analog Input 2	4 mA to 20 mA	Current Speed Reference (Programmable to 0–10 V)
5	AI2–	Analog Input 2 Ground	—	Analog Input 2 Common (Ground)
6	GND	I/O Signal Ground	—	I/O Ground for Reference and Control
7	DIN5	Digital Input 5	Preset Speed B0	Sets frequency output to Preset Speed 1
8	DIN6	Digital Input 6	Preset Speed B1	Sets frequency output to Preset Speed 2
9	DIN7	Digital Input 7	Emergency Stop (TI–)	Input forces VFD output to shut off
10	DIN8	Digital Input 8	Force Remote (TI+)	Input takes VFD from Local to Remote
11	CMB	DI5 to DI8 Common	Grounded	Allows source input
12	GND	I/O Signal Ground	—	I/O Ground for Reference and Control
13	24 V	+24 Vdc Output	—	Control voltage output (100 mA max.)
14	DO1	Digital Output 1	Ready	Shows the drive is ready to run
15	24 Vo	+24 Vdc Output	—	Control voltage output (100 mA max.)
16	GND	I/O Signal Ground	—	I/O Ground for Reference and Control
17	A01+	Analog Output 1	Output Frequency	Shows Output frequency to motor 0–60 Hz (4 mA to 20 mA)
18	A02+	Analog Output 2	Motor Current	Shows Motor current of motor 0–FLA (4 mA to 20 mA)
19	24 Vi	+24 Vdc Input	—	External control voltage input
20	DIN1	Digital Input 1	Run Forward	Input starts drive in forward direction (start enable)
21	DIN2	Digital Input 2	Run Reverse	Input starts drive in reverse direction (start enable)
22	DIN3	Digital Input 3	External Fault	Input causes drive to fault
23	DIN4	Digital Input 4	Fault Reset	Input resets active faults
24	CMA	DI1 to DI4 Common	Grounded	Allows source input
25	A	RS-485 Signal A	—	Fieldbus Communication (Modbus, BACnet)
26	B	RS-485 Signal B	—	Fieldbus Communication (Modbus, BACnet)
27	R3NO	Relay 3 Normally Open	At Speed	Relay output 3 shows VFD is at Ref. Frequency
28	R1NC	Relay 1 Normally Closed	Run	Relay output 1 shows VFD is in a run state
29	R1CM	Relay 1 Common		
30	R1NO	Relay 1 Normally Open		
31	R3CM	Relay 3 Common	At Speed	Relay output 3 shows VFD is at Ref. Frequency
32	R2NC	Relay 2 Normally Closed	Fault	Relay output 2 shows VFD is in a fault state
33	R2CM	Relay 2 Common		
34	R2NO	Relay 2 Normally Open		

Dimensions

Approximate Dimensions in Inches (mm)

AX Box Type 1**AX Box Type 1—12 Inch Floor Stands**

2.6

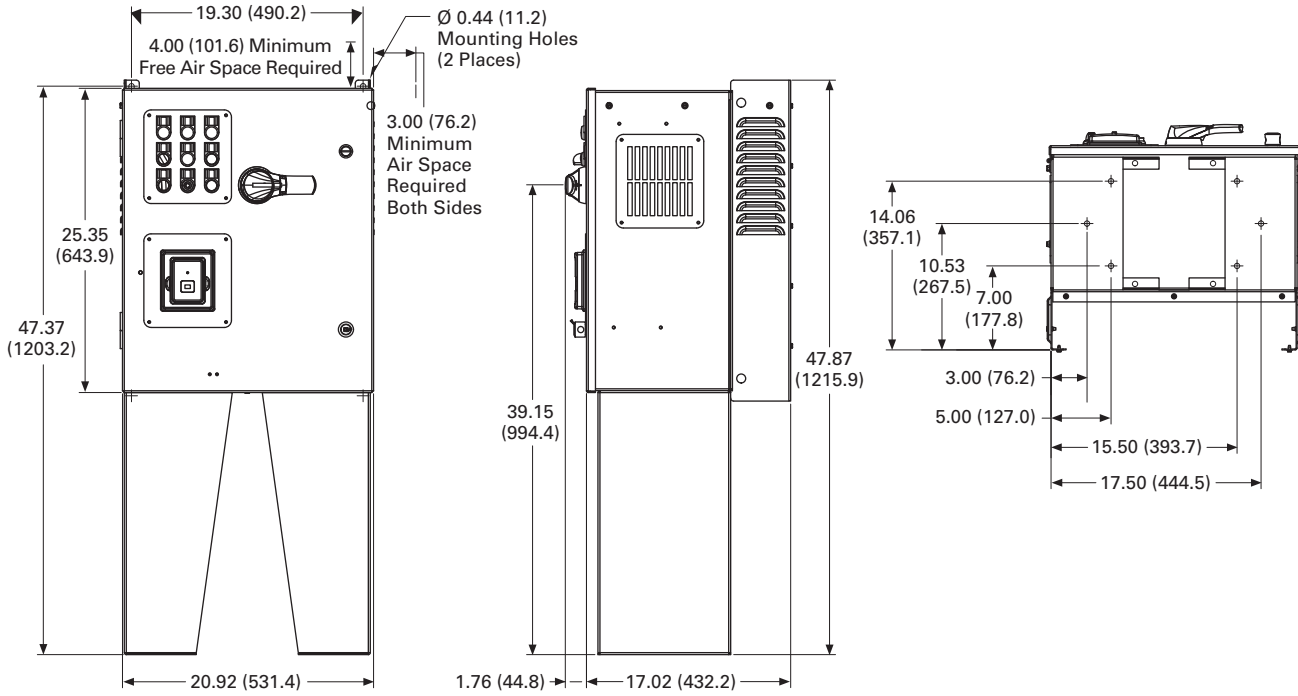
Adjustable Frequency Drives

PowerXL DG1 Series Drives

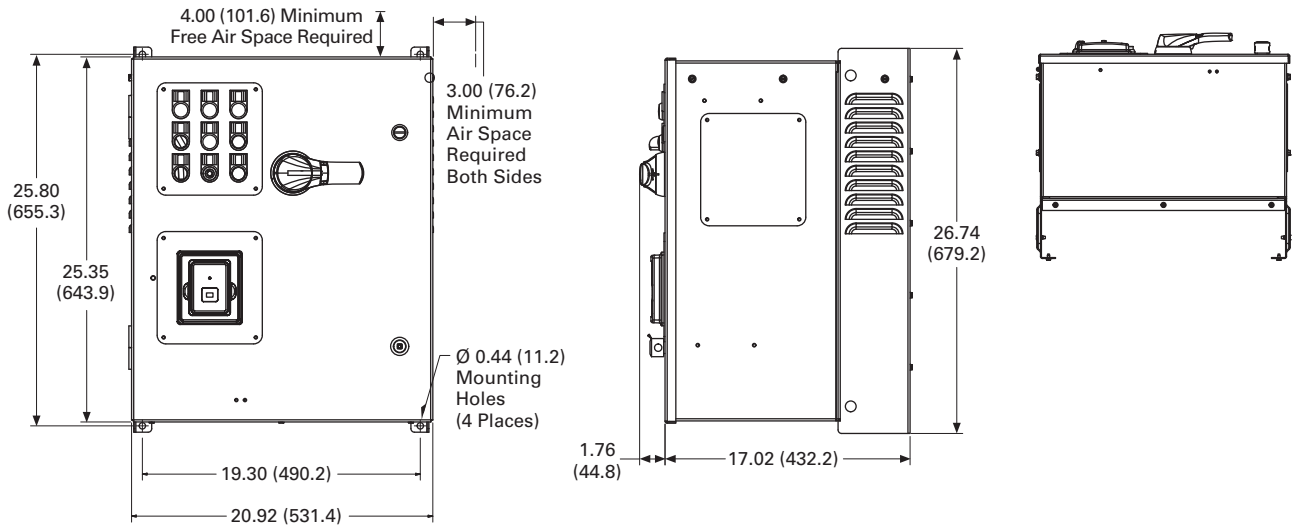
Approximate Dimensions in Inches (mm)

2

AX Box Type 1—22 Inch Floor Stands

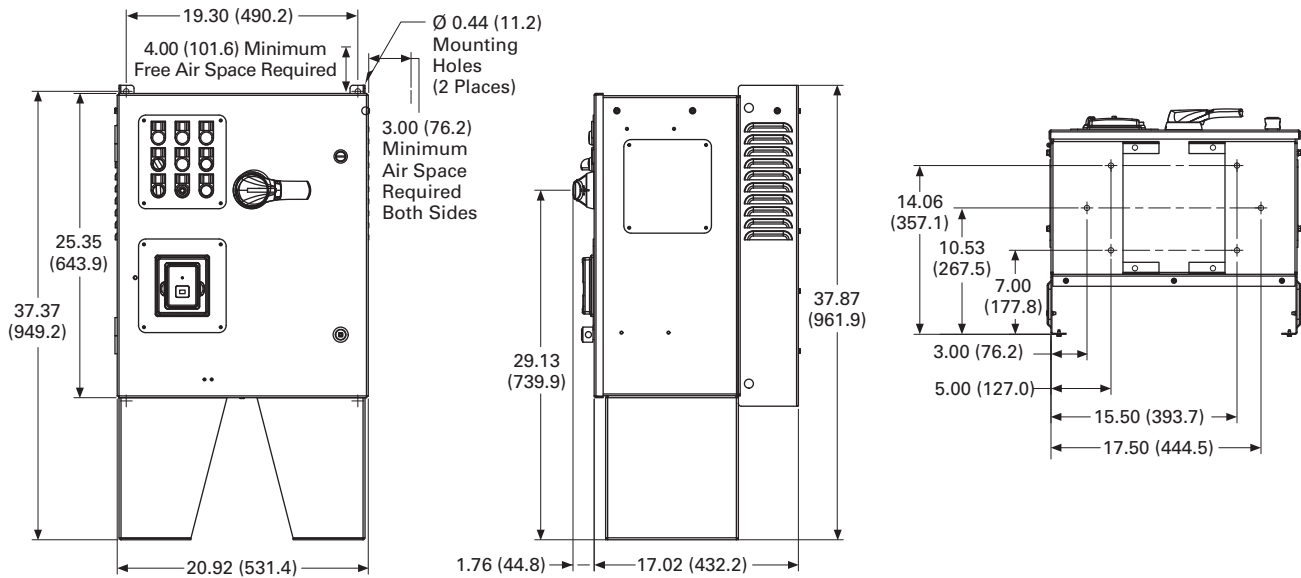


AX Box Type 12

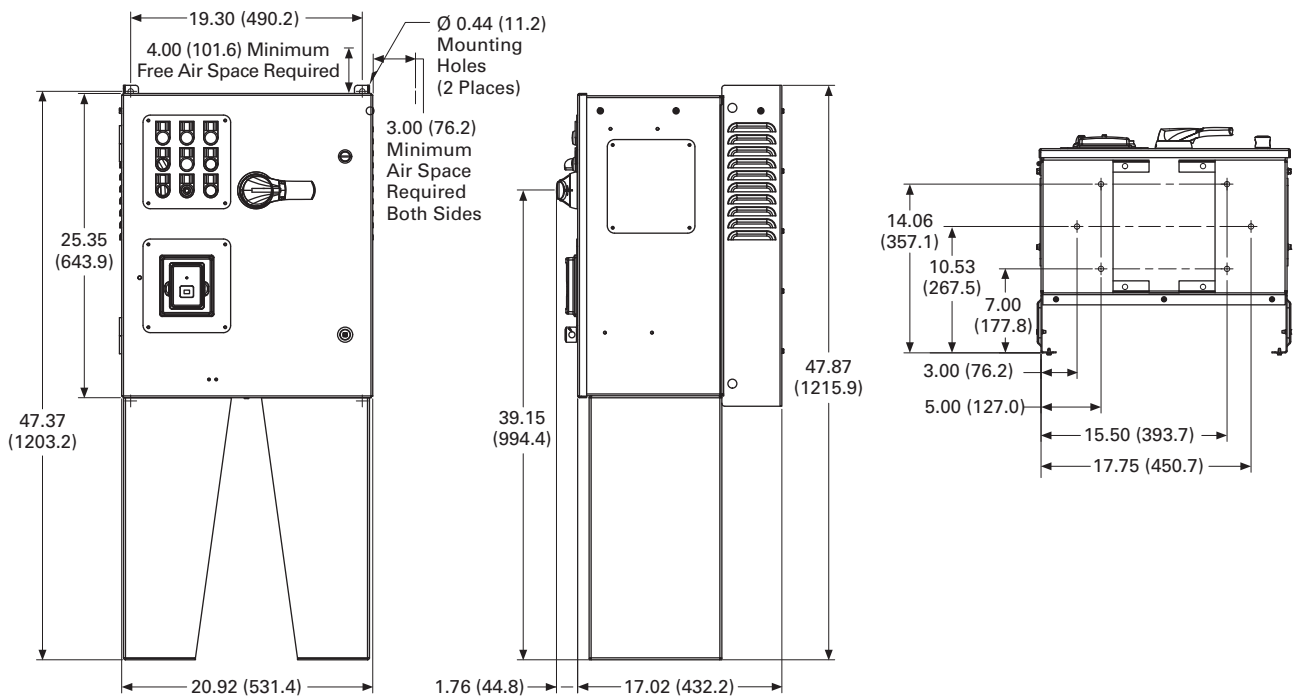


Approximate Dimensions in Inches (mm)

AX Box Type 12—12 Inch Floor Stands



AX Box Type 12—22 Inch Floor Stands



2.6

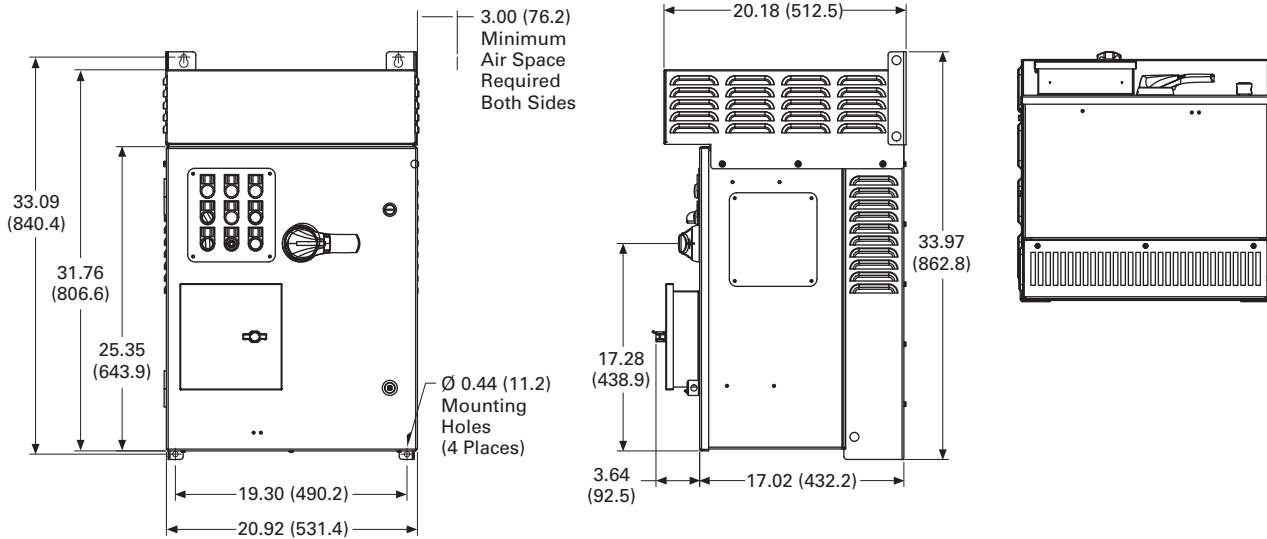
Adjustable Frequency Drives

PowerXL DG1 Series Drives

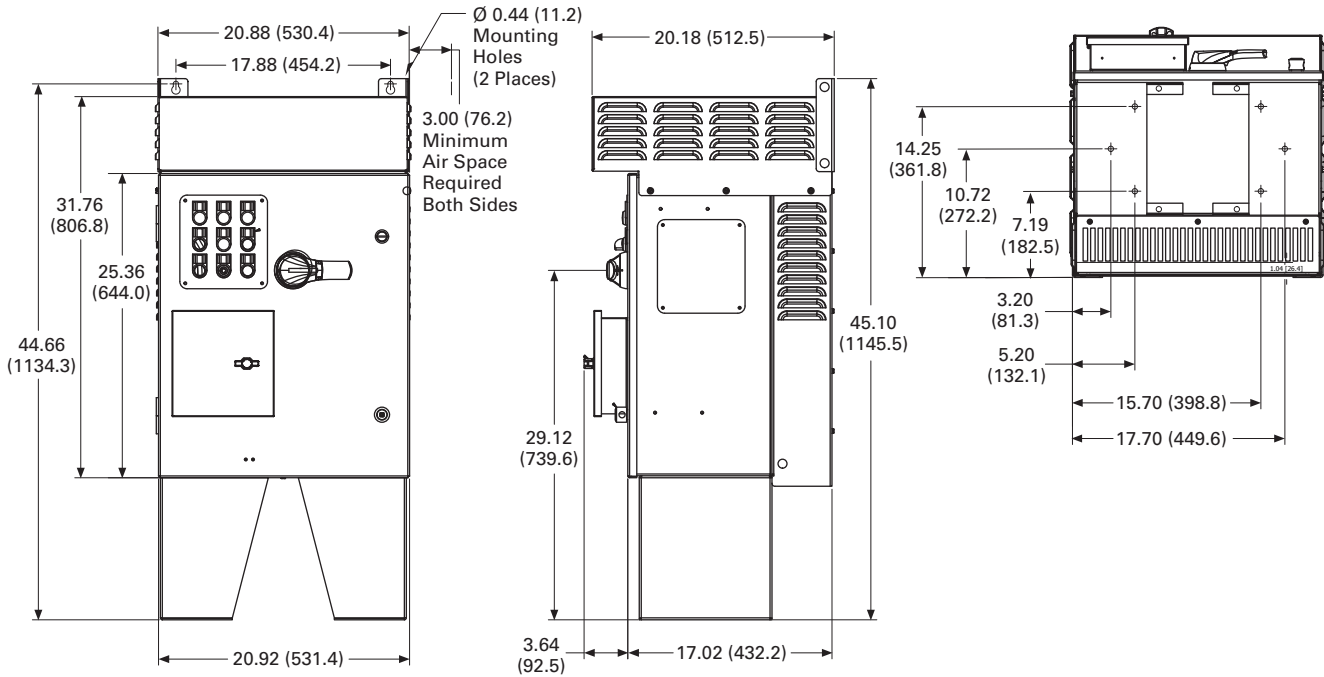
Approximate Dimensions in Inches (mm)

2

AX Box Type 3R

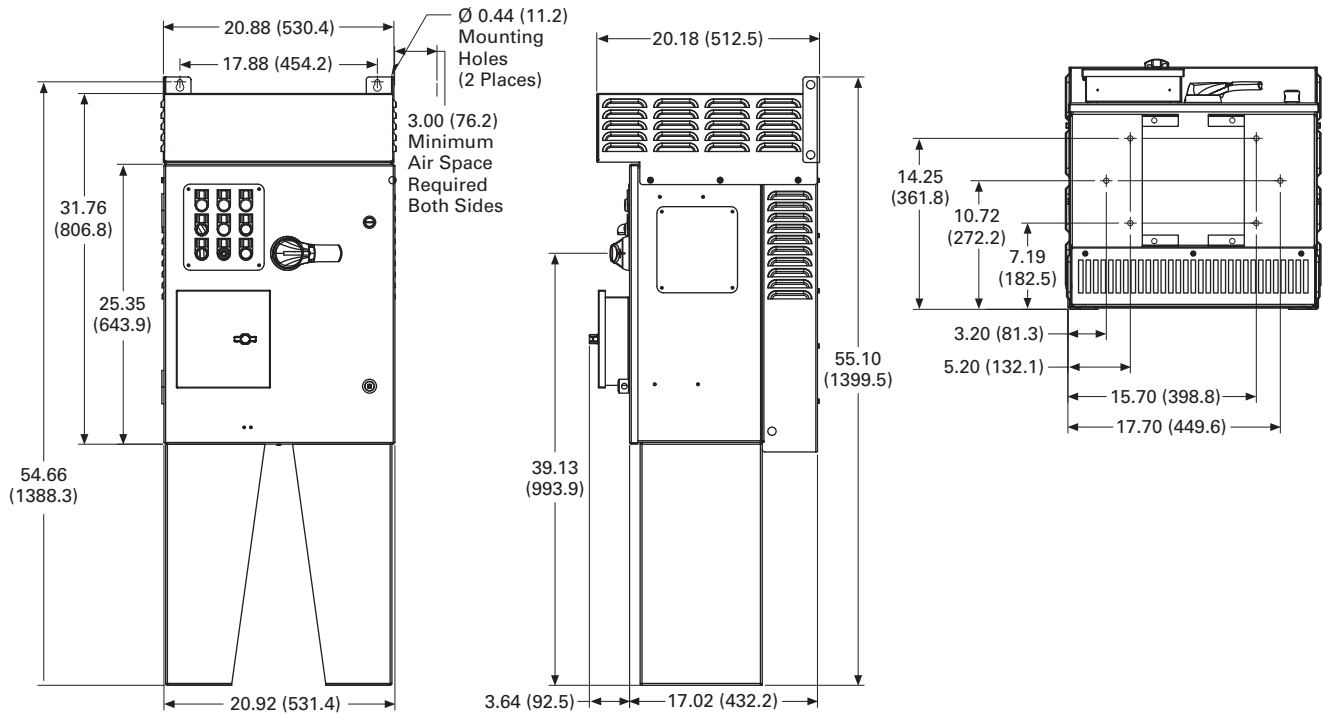


AX Box Type 3R—12 Inch Floor Stands

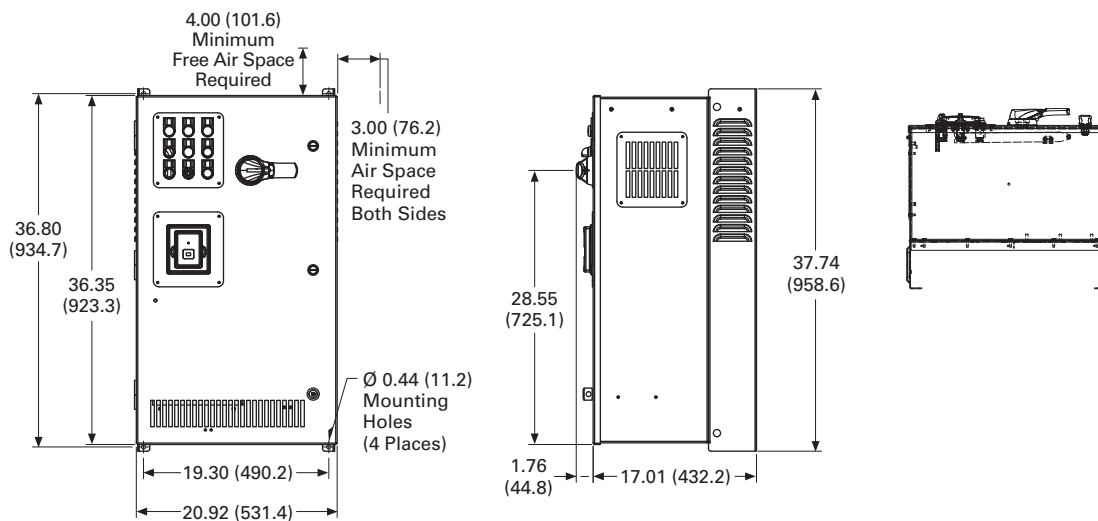


Approximate Dimensions in Inches (mm)

AX Box Type 3R—22 Inch Floor Stands



BX Box Type 1



2.6

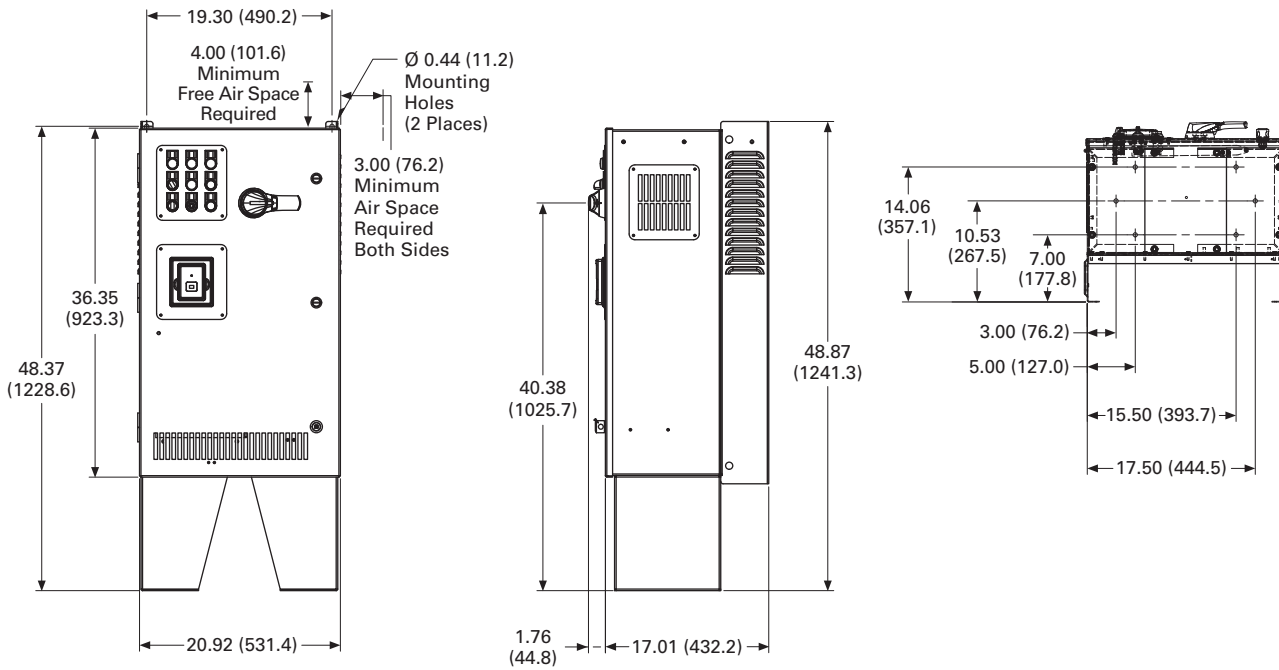
Adjustable Frequency Drives

PowerXL DG1 Series Drives

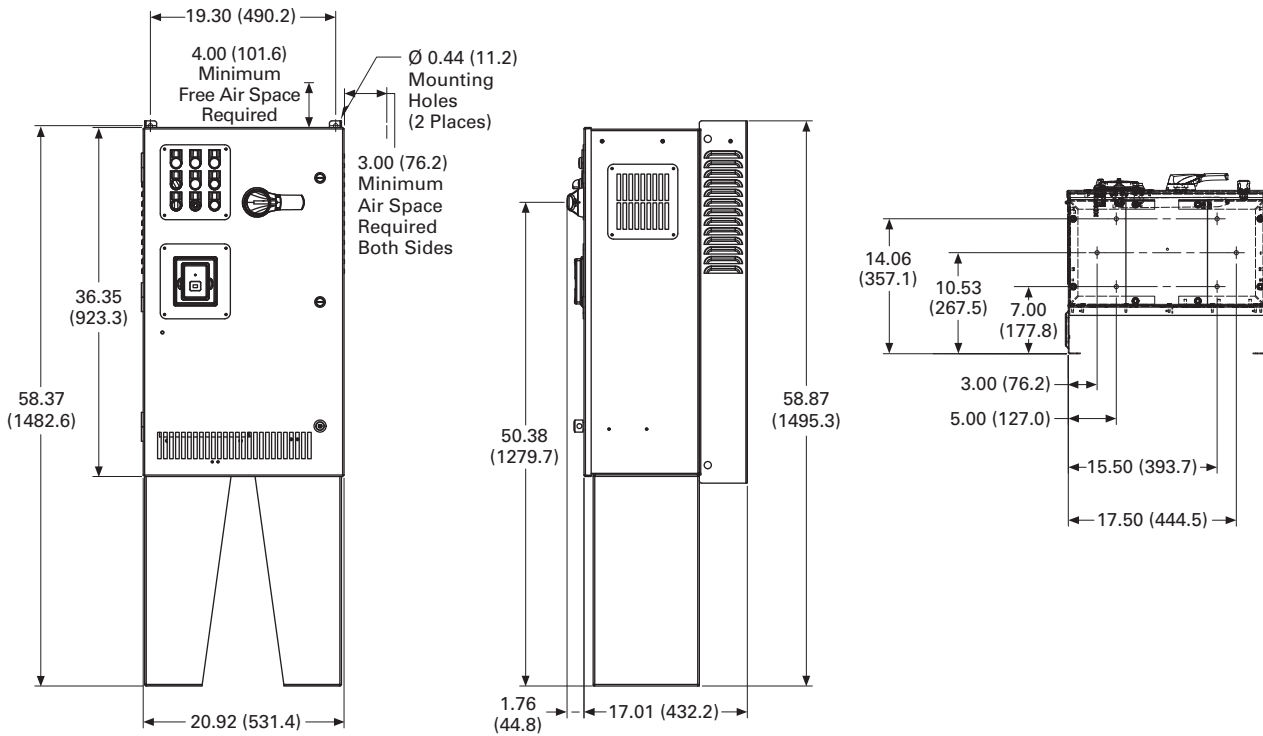
Approximate Dimensions in Inches (mm)

2

BX Box Type 1—12 Inch Floor Stands

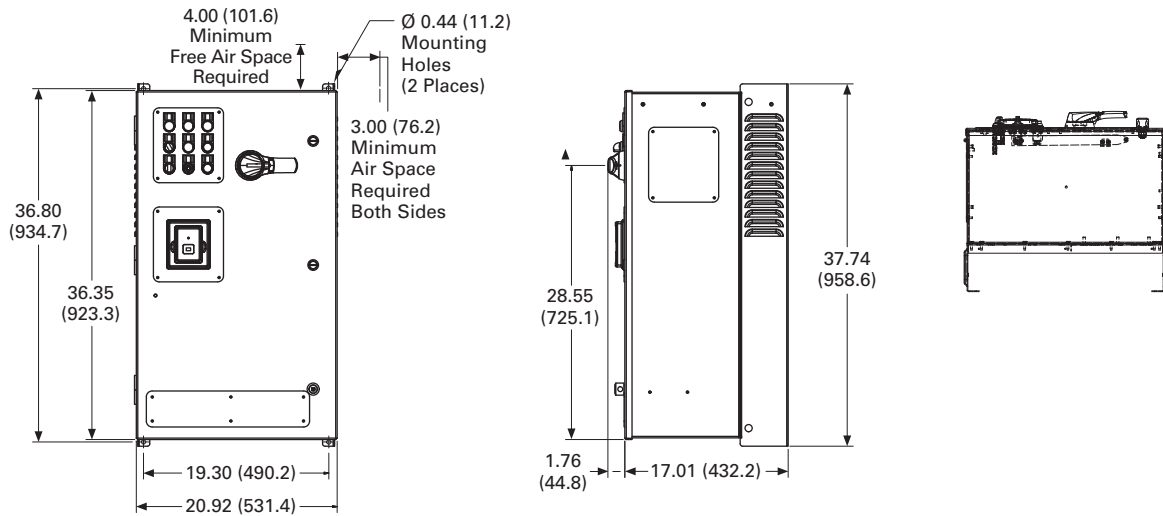


BX Box Type 1—22 Inch Floor Stands

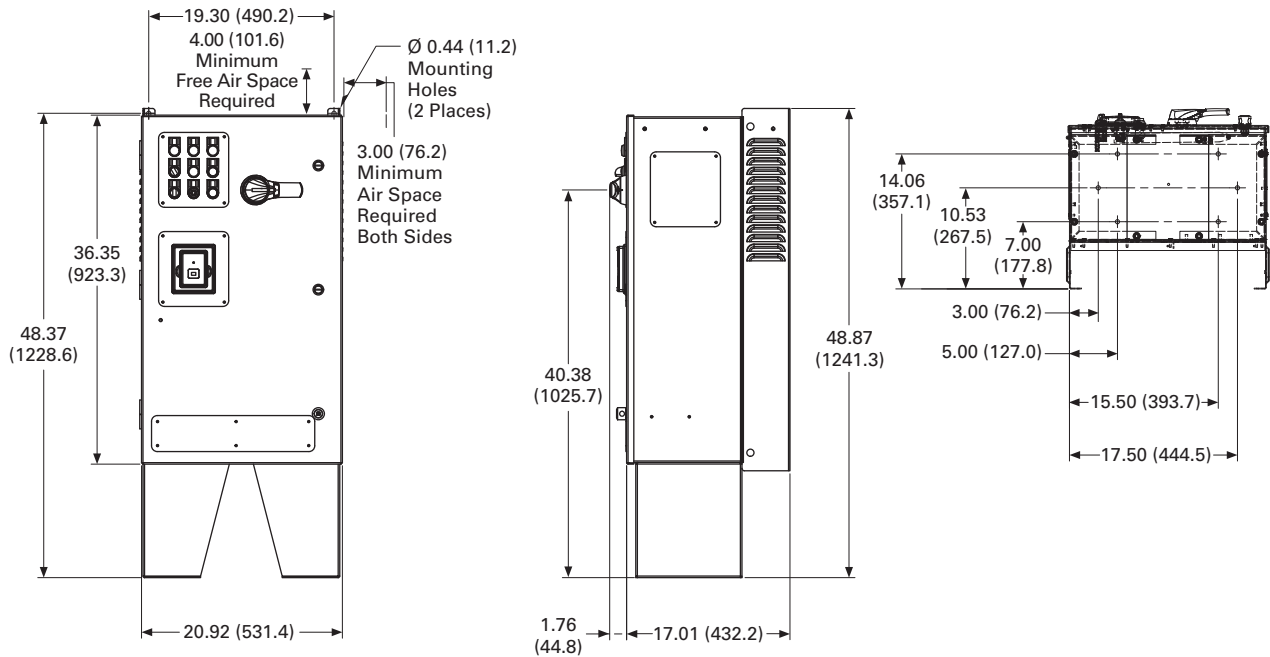


Approximate Dimensions in Inches (mm)

BX Box Type 12



BX Box Type 12—12 Inch Floor Stands



2.6

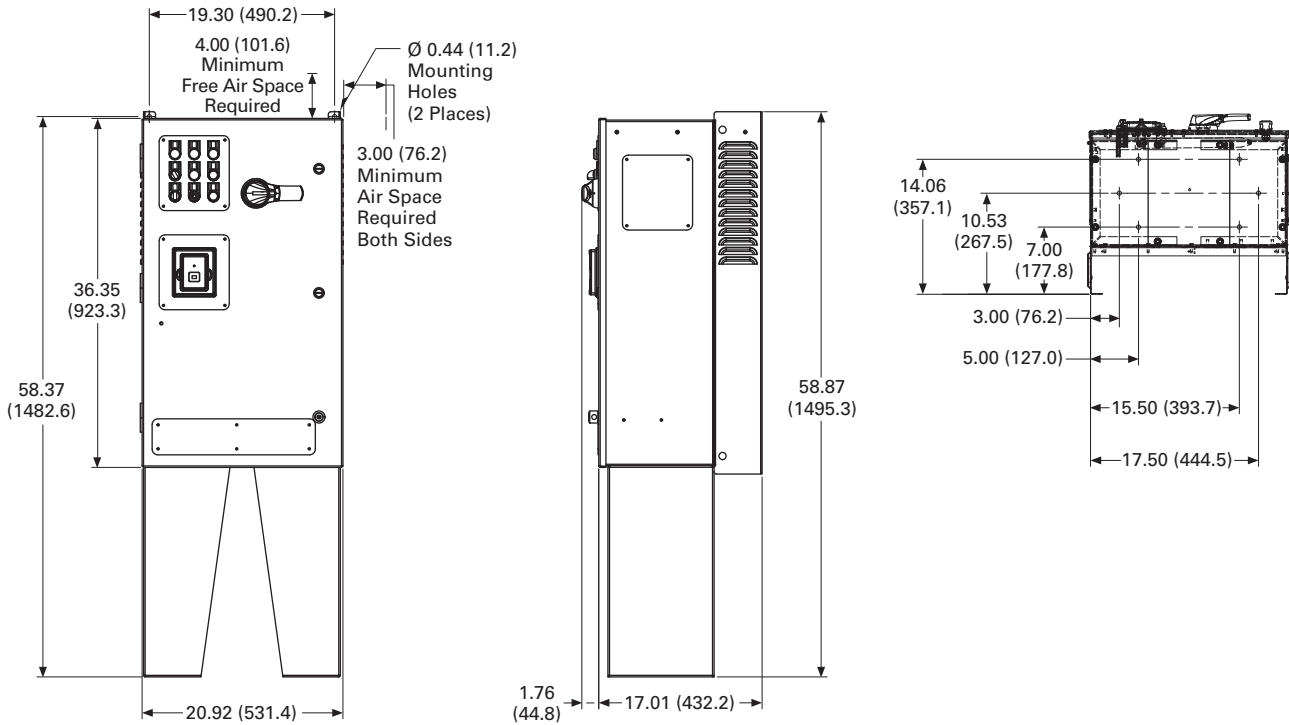
Adjustable Frequency Drives

PowerXL DG1 Series Drives

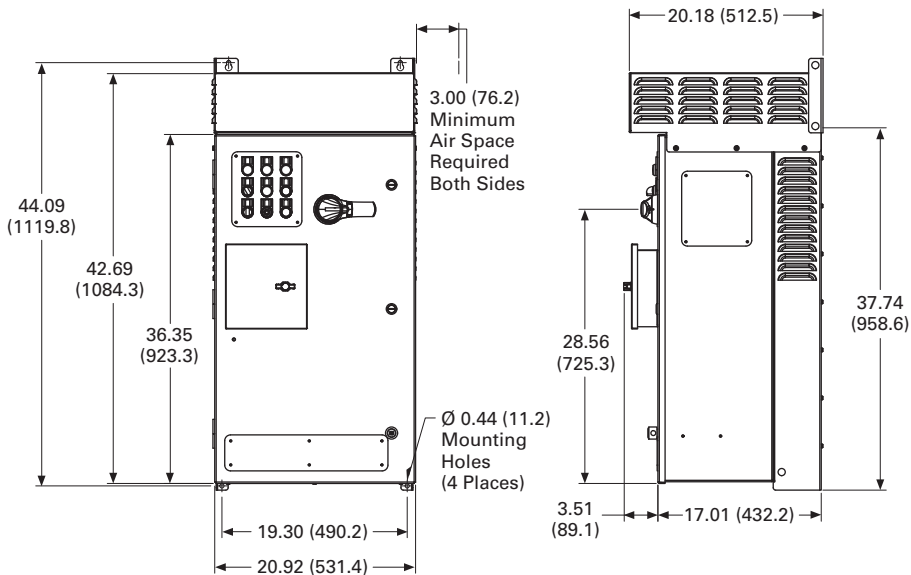
Approximate Dimensions in Inches (mm)

BX Box Type 12—22 Inch Floor Stands

2

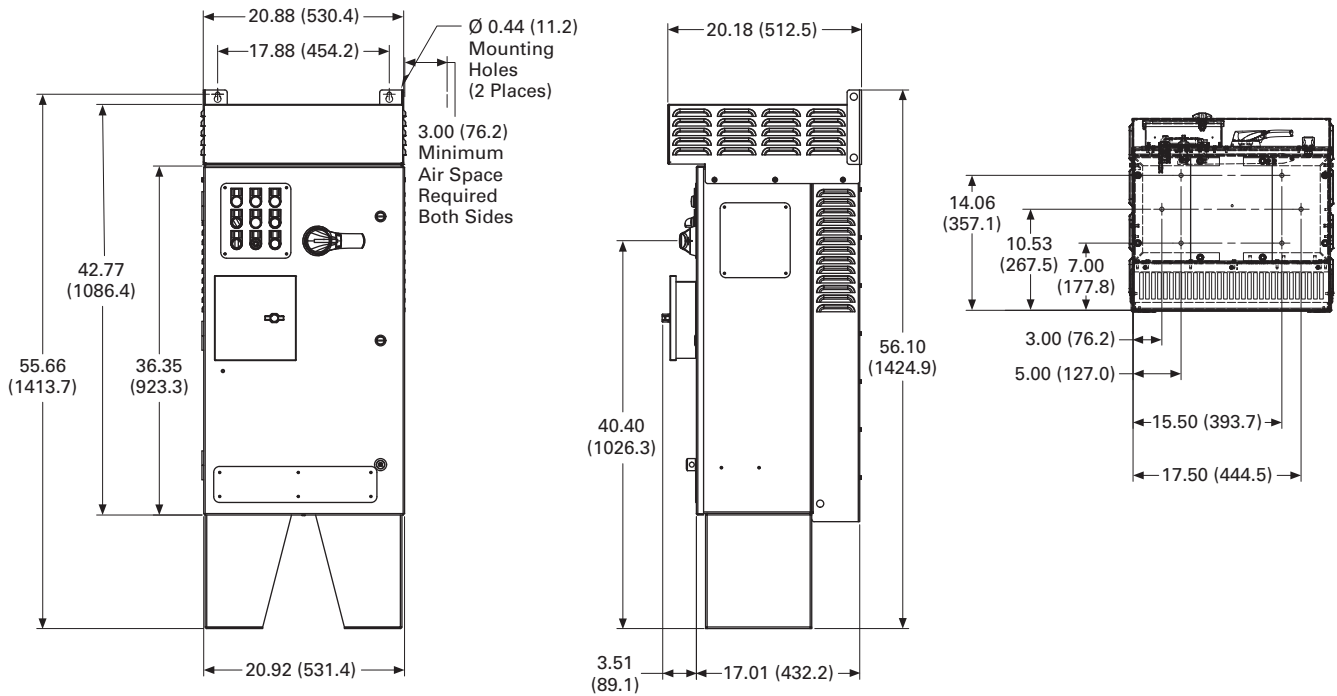


BX Box Type 3R

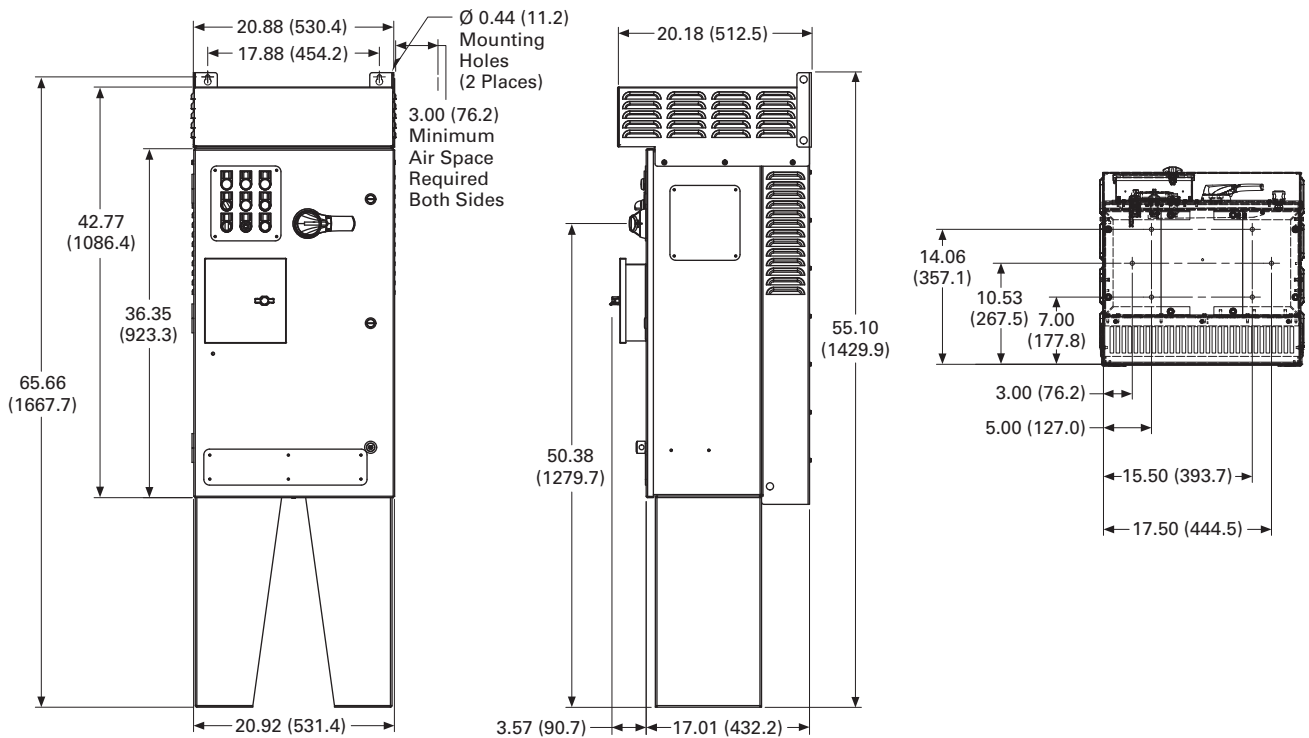


Approximate Dimensions in Inches (mm)

BX Box Type 3R—12 Inch Floor Stands



BX Box Type 3R—22 Inch Floor Stands



2.6

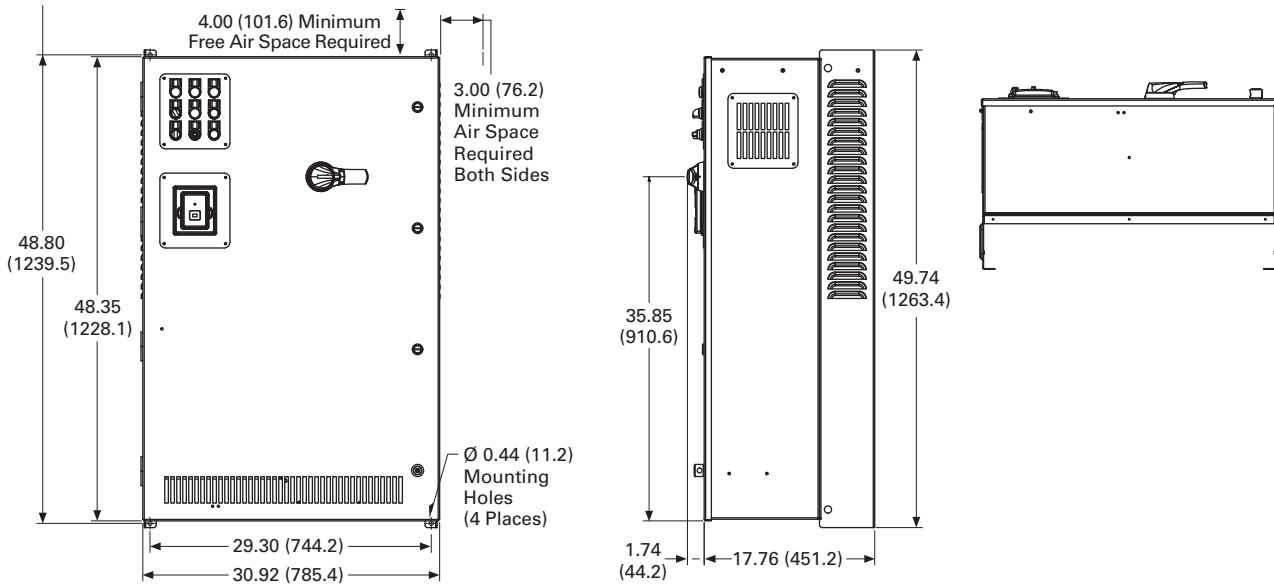
Adjustable Frequency Drives

PowerXL DG1 Series Drives

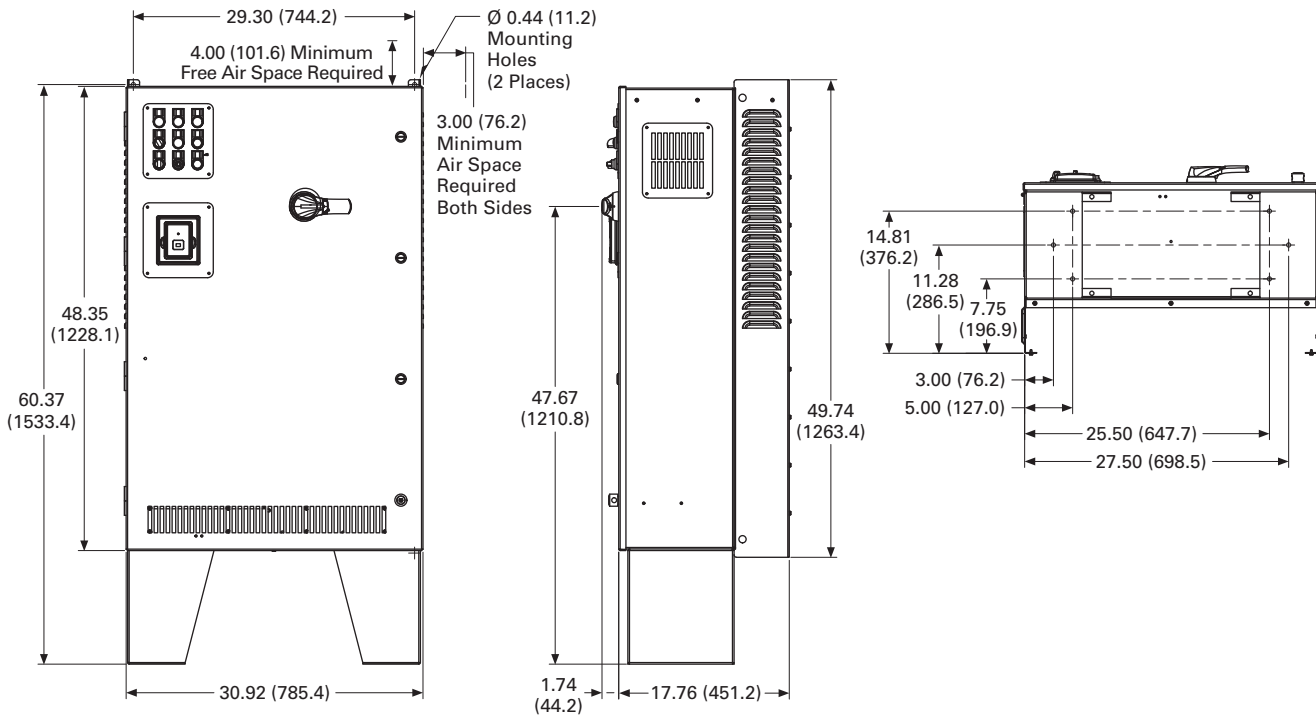
Approximate Dimensions in Inches (mm)

CX Box Type 1

2

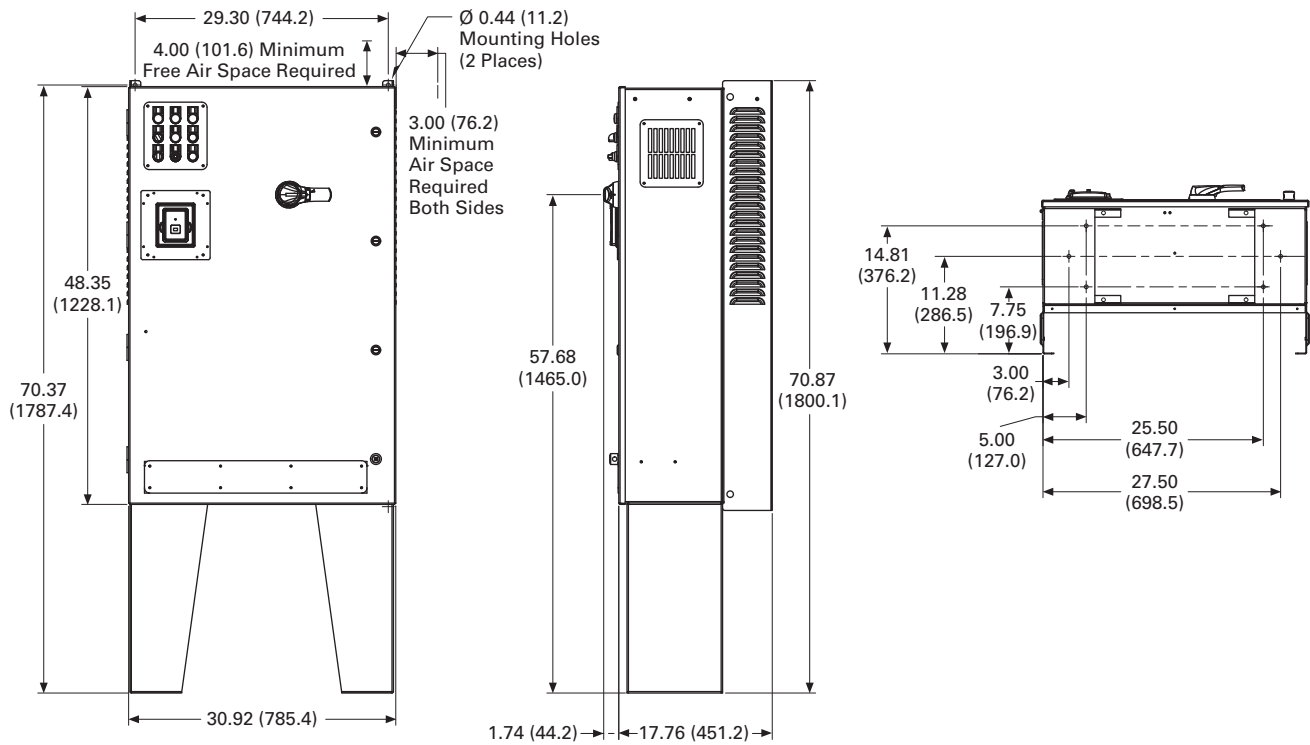


CX Box Type 1 – 12 Inch Floor Stands

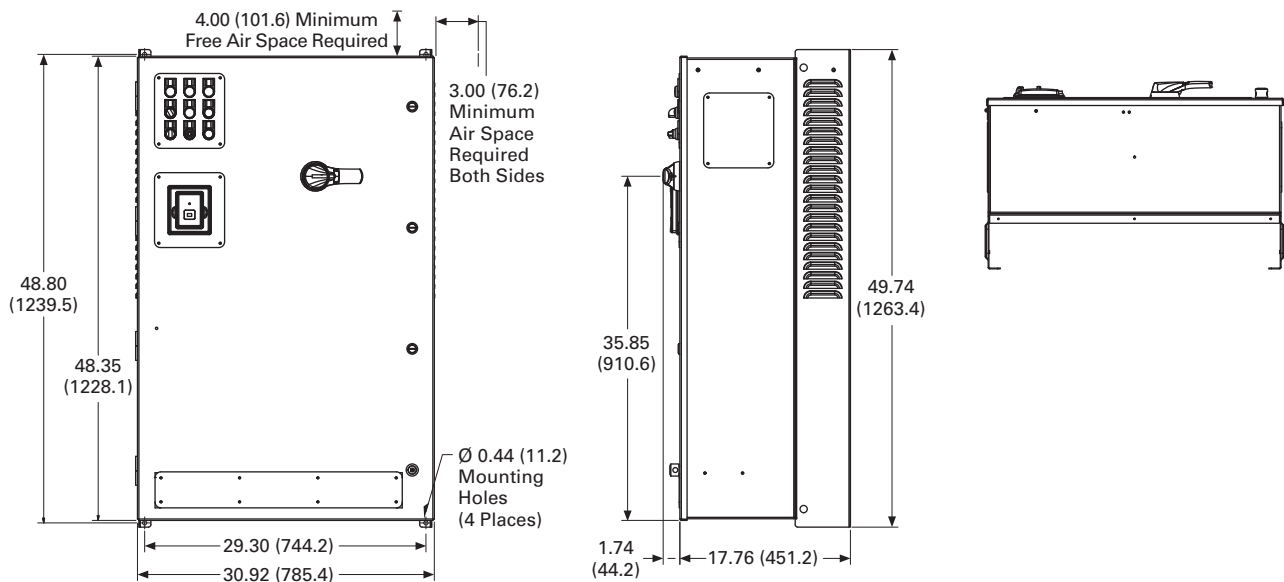


Approximate Dimensions in Inches (mm)

CX Box Type 1—22 Inch Floor Stands



CX Box Type 12



2.6

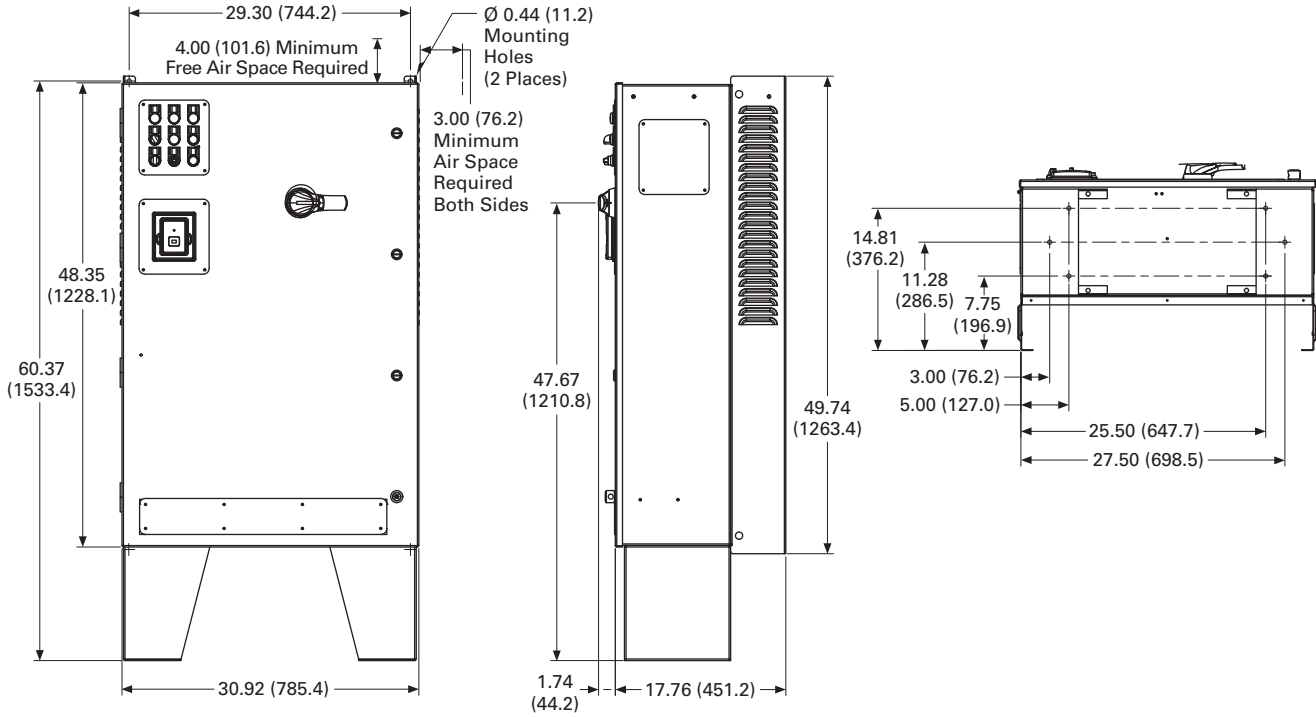
Adjustable Frequency Drives

PowerXL DG1 Series Drives

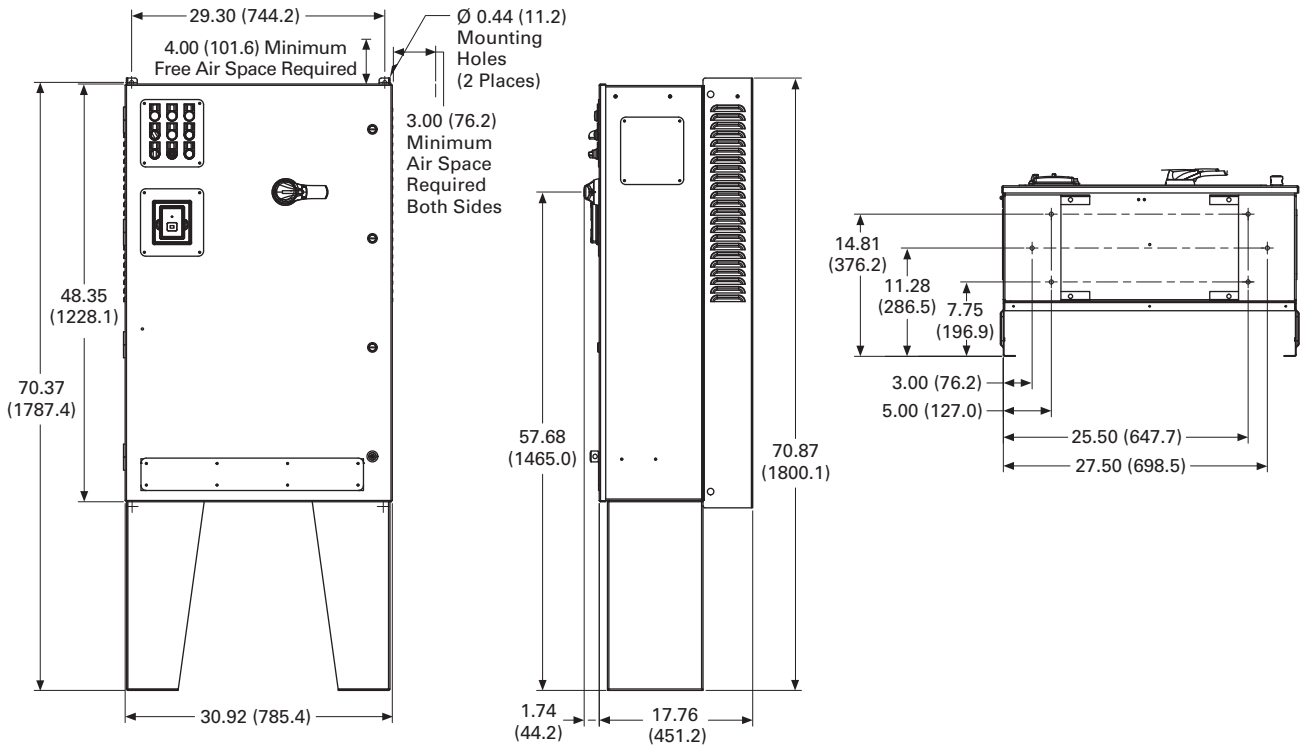
Approximate Dimensions in Inches (mm)

2

CX Box Type 12—12 Inch Floor Stands

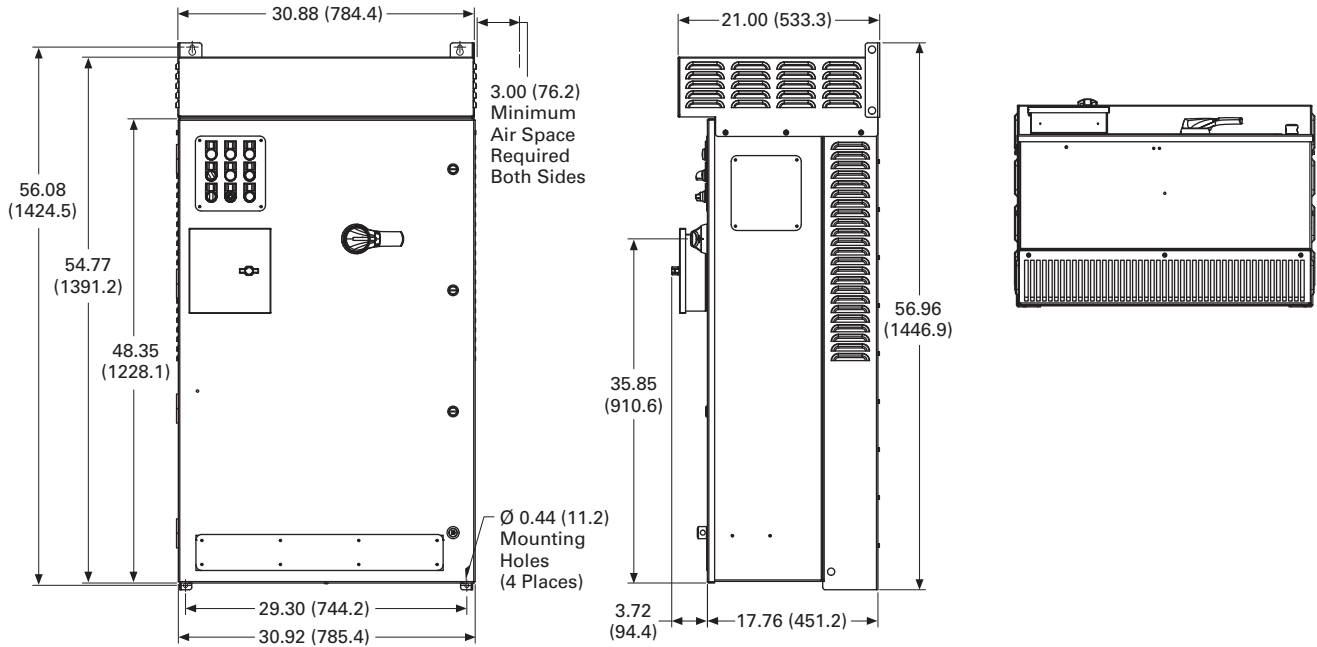


CX Box Type 12—22 Inch Floor Stands

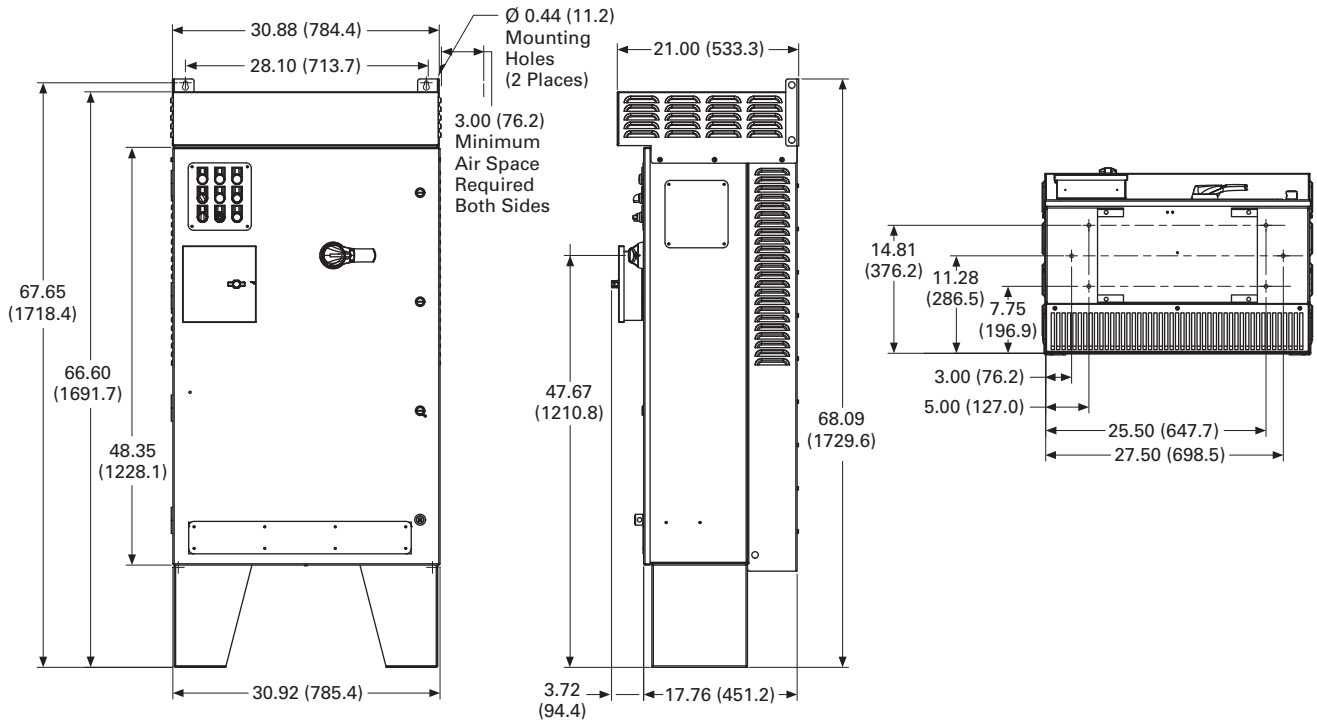


Approximate Dimensions in Inches (mm)

CX Box Type 3R



CX Box Type 3R—12 Inch Floor Stands



2.6

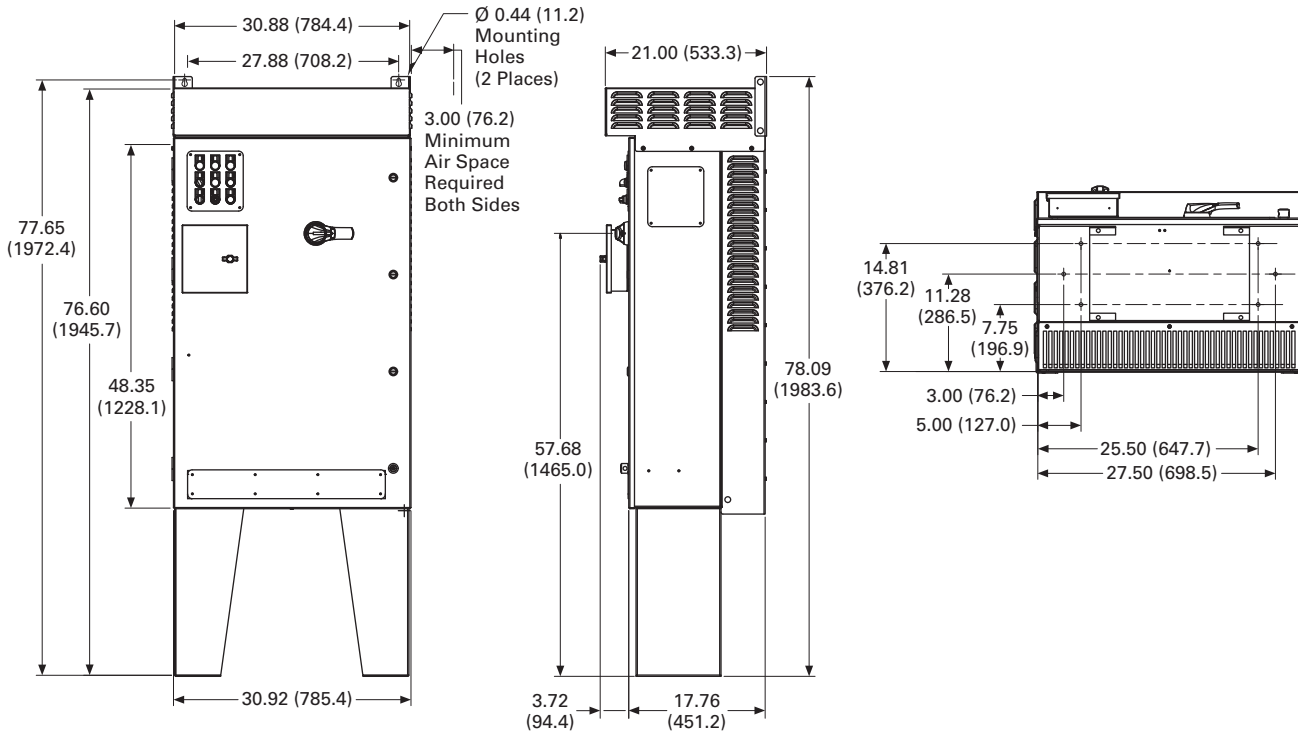
Adjustable Frequency Drives

PowerXL DG1 Series Drives

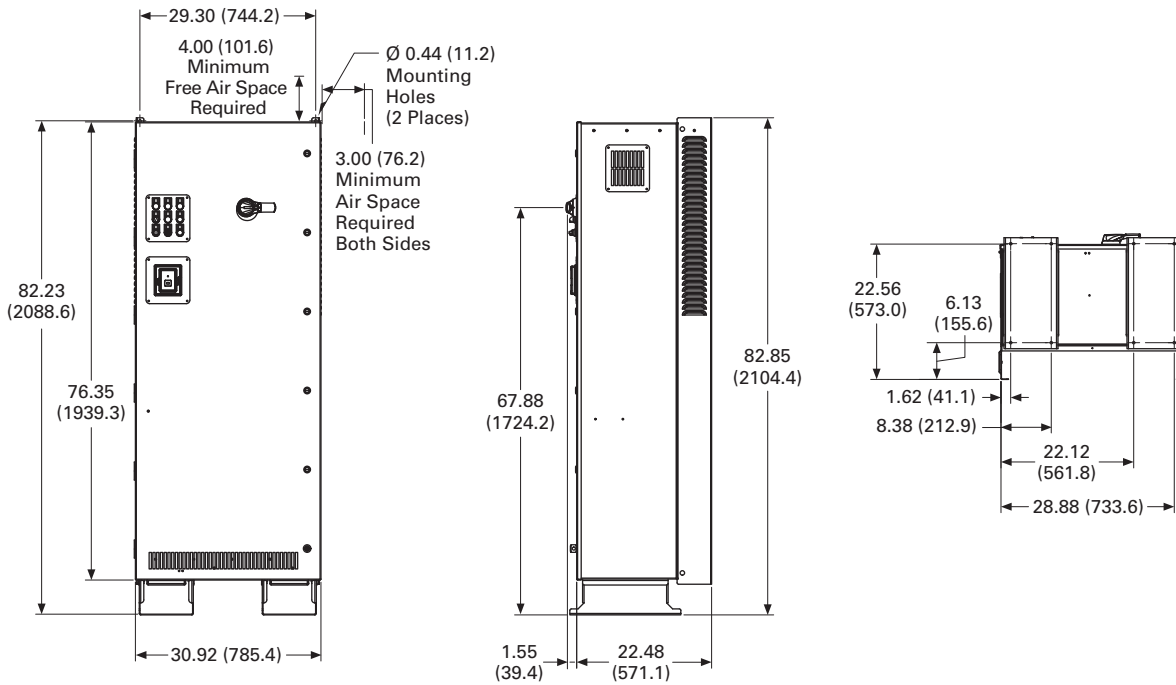
Approximate Dimensions in Inches (mm)

2

CX Box Type 3R—22 Inch Floor Stands

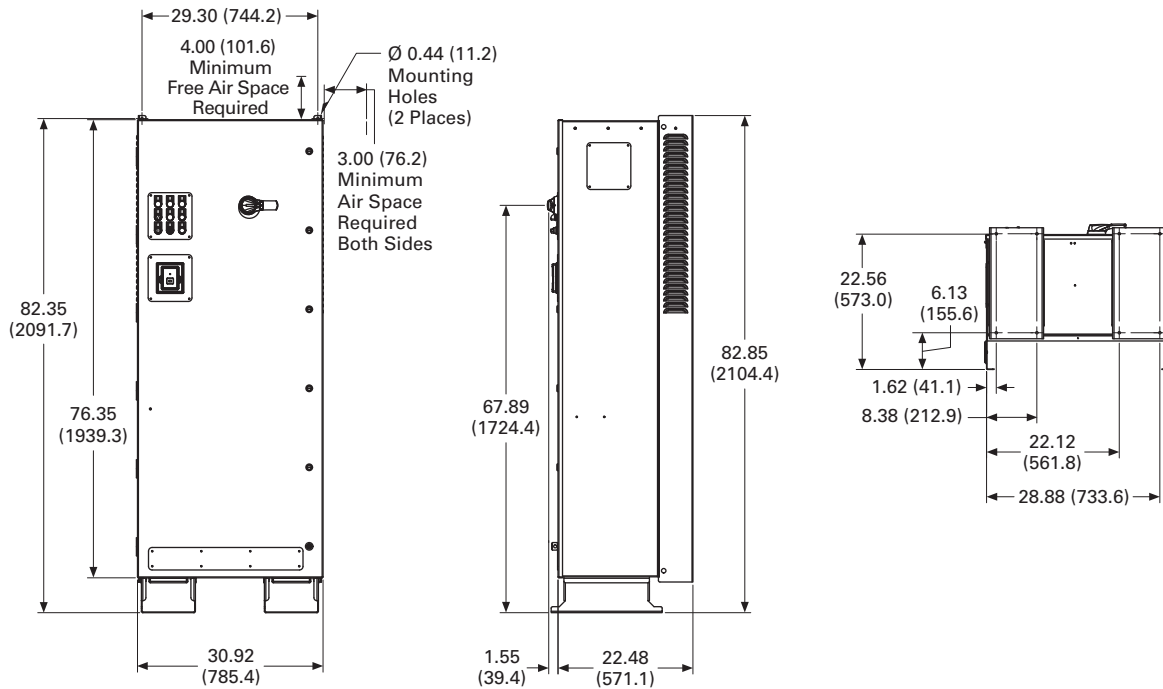


DX Box Type 1

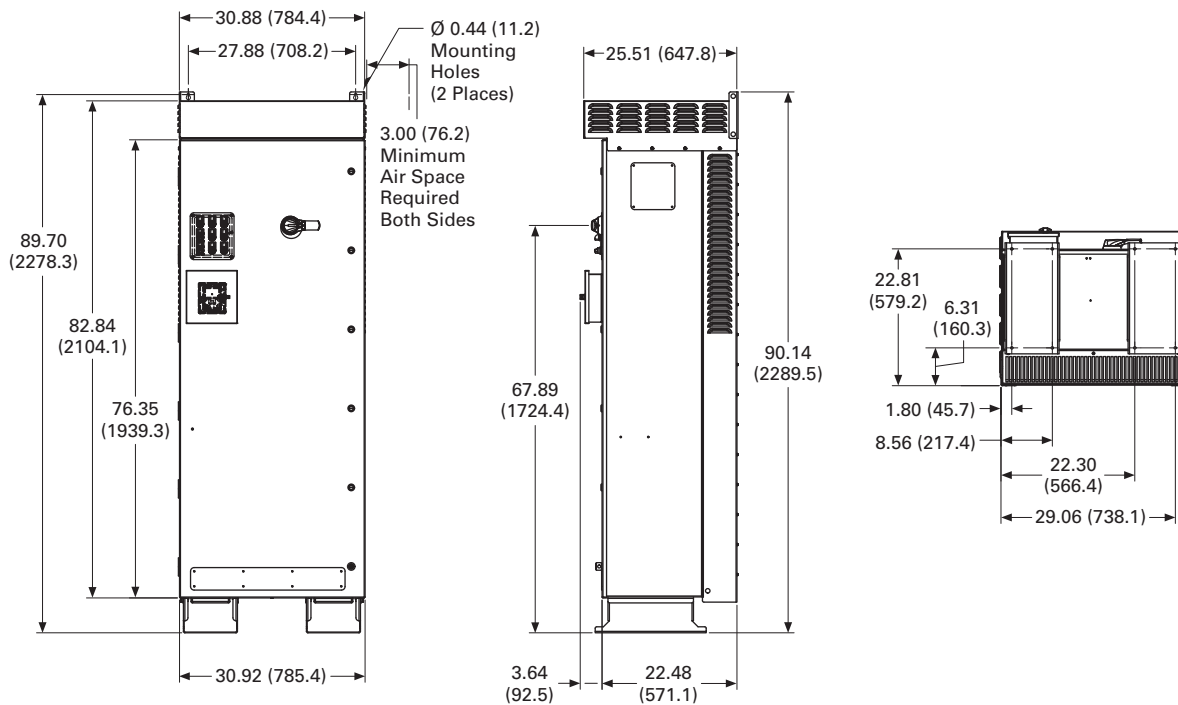


Approximate Dimensions in Inches (mm)

DX Box Type 12



DX Box Type 3R





SVX Drives

Product Description

SVX Series Adjustable Frequency Drives from Eaton's Electrical Sector are the next generation of drives specifically engineered for today's commercial and industrial applications. The power unit makes use of the most sophisticated semiconductor technology and a highly modular construction that can be flexibly adapted to the customer's needs.

The input and output configuration (I/O) is designed with modularity in mind. The I/O is comprised of option cards, each with its own input and output configuration. The control module is designed to accept a total of five of these cards. The cards contain not only normal analog and digital inputs but also fieldbus cards.

These drives continue the tradition of robust performance, and raise the bar on features and functionality, ensuring the best solution at the right price.

Features

- Robust design—proven 500,000 hours MTBF
- Integrated 3% line reactors standard on drives from FR4 through FR9
- EMI/RFI Filters H standard up to 200 hp I_H 480 V, 100 hp I_H 230 V
- Simplified operating menu allows for typical programming changes, while programming mode provides control of everything
- Quick Start Wizard built into the programming of the drive ensures a smooth start-up
- Keypad can display up to three monitored parameters simultaneously
- LOCAL/REMOTE operation from keypad
- Copy/paste function allows transfer of parameter settings from one drive to the next
- Standard NEMA Type 12/IP54 keypad on all drives
- The SVX can be flexibly adapted to a variety of needs using our pre-installed "Seven in One" precision application programs consisting of:
 - Basic
 - Standard
 - Local/remote
 - Multi step speed control
 - PID control
 - Multi-purpose control
 - Pump and fan control with auto change
- Additional I/O and communication cards provide plug and play functionality
- I/O connections with simple quick connection terminals
- Hand-held auxiliary 24 V power supply allows programming/monitoring of control module without applying full power to the drive
- Control logic can be powered from an external auxiliary control panel, internal drive functions and fieldbus if necessary
- Brake chopper standard from: 1–30 hp/380–500 V 3/4–15 hp/208–230 V
- NEMA Type 1/IP21 and NEMA Type 12/IP54 enclosures available, Frame Sizes FR4–FR9
- Open chassis FR10 and greater
- Standard option board configuration includes an A9 I/O board and an A2 relay output board installed in slots A and B

Contents

Description

	<i>Page</i>
SVX Drives	
Standards and Certifications	V6-T2-103
Catalog Number Selection	V6-T2-103
Product Selection	V6-T2-104
Accessories	V6-T2-108
Options	V6-T2-109
Replacement Parts	V6-T2-116
Technical Data and Specifications	V6-T2-123
Dimensions	V6-T2-124
SVX Enclosed Drives	V6-T2-140

Standards and Certifications

Product

- IEC 61800-2

EMC (At Default Settings)

- Immunity: Fulfills all EMC immunity requirements; Emissions: EN 61800-3, LEVEL H

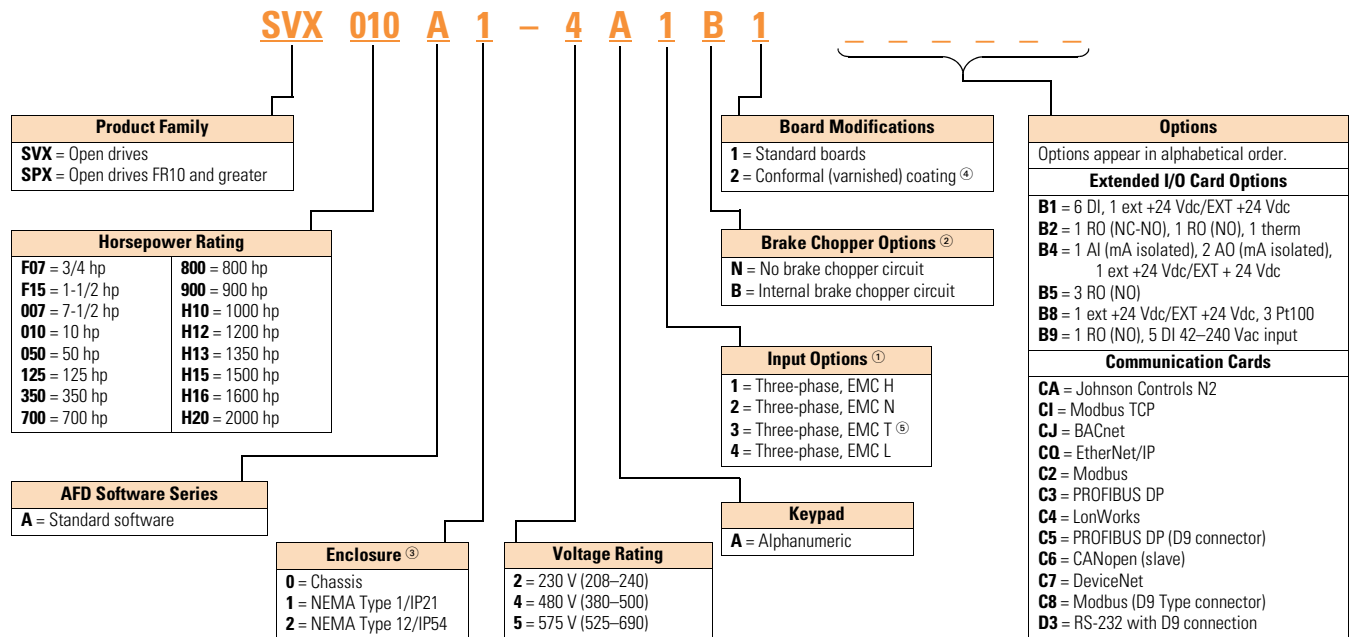
Safety

- UL 508C
- CE



Catalog Number Selection

SVX Adjustable Frequency Drives



Notes

- ^① All 230 V drives and 480 V drives up to 200 hp (IH) are only available with input option **1** (EMC Level H). 480 V drives 250 hp (IH) or larger are available with input option **2** (EMC Level N). 480 V drives are available with input option **4** (EMC Level L). 575 V drives 200 hp (IH) or larger are only available with input option **2**. 575 V drives up to 150 hp (IH) are only available with input option **4** (EMC Level L).
- ^② 480 V drives up to 30 hp (IH) are only available with brake chopper option **B**. 480 V drives 40 hp (IH) or larger come standard with brake chopper option **N**. 230 V drives up to 15 hp (IH) are only available with brake chopper option **B**. 230 V drives 20 hp or larger come standard with brake chopper option **N**. All 575 V drives come standard without brake chopper option (N). **N** = No brake chopper.
- ^③ 480 V drives 250 hp (IH) and larger are available with enclosure style **0** (chassis); 690 V drives 200 hp (IH) and larger are available with enclosure style **0** (chassis).
- ^④ Factory promise delivery. Consult sales office for availability.
- ^⑤ For high-resistance ground systems, any SVX/SPX drive can be used if the HRG system has ground supervision. If no ground supervision feature is available, use EMC class N or T.

Product Selection

230 V SVX Drives

2

SVX Open Drives



208–240 V, NEMA Type 1/IP21 Drives

Frame Size	hp (I _H)	Current (I _H)	hp (I _L)	Current (I _L)	Catalog Number
FR4	3/4	3.7	1	4.8	SVXF07A1-2A1B1
	1	4.8	1-1/2	6.6	SVX001A1-2A1B1
	1-1/2	6.6	2	7.8	SVXF15A1-2A1B1
	2	7.8	3	11	SVX002A1-2A1B1
	3	11	—	12.5	SVX003A1-2A1B1
FR5	—	12.5	5	17.5	SVX004A1-2A1B1
	5	17.5	7-1/2	25	SVX005A1-2A1B1
	7-1/2	25	10	31	SVX007A1-2A1B1
FR6	10	31	15	48	SVX010A1-2A1B1
	15	48	20	61	SVX015A1-2A1B1
FR7	20	61	25	75	SVX020A1-2A1N1
	25	75	30	88	SVX025A1-2A1N1
	30	88	40	114	SVX030A1-2A1N1
FR8	40	114	50	140	SVX040A1-2A1N1
	50	140	60	170	SVX050A1-2A1N1
	60	170	75	205	SVX060A1-2A1N1
FR9	75	205	100	261	SVX075A1-2A1N1
	100	261	125	300	SVX100A1-2A1N1

208–240 V, NEMA Type 12/IP54 Drives

Frame Size	hp (I _H)	Current (I _H)	hp (I _L)	Current (I _L)	Catalog Number
FR4	3/4	3.7	1	4.8	SVXF07A2-2A1B1
	1	4.8	1-1/2	6.6	SVX001A2-2A1B1
	1-1/2	6.6	2	7.8	SVXF15A2-2A1B1
	2	7.8	3	11	SVX002A2-2A1B1
	3	11	—	12.5	SVX003A2-2A1B1
FR5	—	12.5	5	17.5	SVX004A2-2A1B1
	5	17.5	7-1/2	25	SVX005A2-2A1B1
	7-1/2	25	10	31	SVX007A2-2A1B1
FR6	10	31	15	48	SVX010A2-2A1B1
	15	48	20	61	SVX015A2-2A1B1
FR7	20	61	25	75	SVX020A2-2A1N1
	25	75	30	88	SVX025A2-2A1N1
	30	88	40	114	SVX030A2-2A1N1
FR8	40	114	50	140	SVX040A2-2A1N1
	50	140	60	170	SVX050A2-2A1N1
	60	170	75	205	SVX060A2-2A1N1
FR9	75	205	100	261	SVX075A2-2A1N1
	100	261	125	300	SVX100A2-2A1N1

480 V SVX Drives

SVX Open Drives



380–500 V, NEMA Type 1/IP21 Drives

Frame Size	hp (I _H)	Current (I _H)	hp (I _L)	Current (I _L)	Catalog Number
FR4	1	2.2	1-1/2	3.3	SVX001A1-4A1B1
	1-1/2	3.3	2	4.3	SVXF15A1-4A1B1
	2	4.3	3	5.6	SVX002A1-4A1B1
	3	5.6	5	7.6	SVX003A1-4A1B1
	5	7.6	—	9	SVX005A1-4A1B1
	—	9	7-1/2	12	SVX006A1-4A1B1
FR5	7-1/2	12	10	16	SVX007A1-4A1B1
	10	16	15	23	SVX010A1-4A1B1
	15	23	20	31	SVX015A1-4A1B1
FR6	20	31	25	38	SVX020A1-4A1B1
	25	38	30	46	SVX025A1-4A1B1
	30	46	40	61	SVX030A1-4A1B1
FR7	40	61	50	72	SVX040A1-4A1N1
	50	72	60	87	SVX050A1-4A1N1
	60	87	75	105	SVX060A1-4A1N1
FR8	75	105	100	140	SVX075A1-4A1N1
	100	140	125	170	SVX100A1-4A1N1
	125	170	150	205	SVX125A1-4A1N1
FR9	150	205	200	261	SVX150A1-4A1N1
	200	245	250	300	SVX200A1-4A1N1

380–500 V, NEMA Type 12/IP54 Drives

Frame Size	hp (I _H)	Current (I _H)	hp (I _L)	Current (I _L)	Catalog Number
FR4	1	2.2	1-1/2	3.3	SVX001A2-4A1B1
	1-1/2	3.3	2	4.3	SVXF15A2-4A1B1
	2	4.3	3	5.6	SVX002A2-4A1B1
	3	5.6	5	7.6	SVX003A2-4A1B1
	5	7.6	—	9	SVX005A2-4A1B1
	—	9	7-1/2	12	SVX006A2-4A1B1
FR5	7-1/2	12	10	16	SVX007A2-4A1B1
	10	16	15	23	SVX010A2-4A1B1
	15	23	20	31	SVX015A2-4A1B1
FR6	20	31	25	38	SVX020A2-4A1B1
	25	38	30	46	SVX025A2-4A1B1
	30	46	40	61	SVX030A2-4A1B1
FR7	40	61	50	72	SVX040A2-4A1N1
	50	72	60	87	SVX050A2-4A1N1
	60	87	75	105	SVX060A2-4A1N1
FR8	75	105	100	140	SVX075A2-4A1N1
	100	140	125	170	SVX100A2-4A1N1
	125	170	150	205	SVX125A2-4A1N1
FR9	150	205	200	261	SVX150A2-4A1N1
	200	245	250	300	SVX200A2-4A1N1

SVX Open Drives

2



380–500 V, Open Chassis Drives

Frame Size	hp (I _H)	Current (I _H)	hp (I _L)	Current (I _L)	Catalog Number
FR10 ①	250	330	300	385	SPX250A0-4A2N1
	300	385	350	460	SPX300A0-4A2N1
	350	460	400	520	SPX350A0-4A2N1
FR11	400	520	500	590	SPX400A0-4A2N1
	500	590	—	650	SPX500A0-4A2N1
	—	650	600	730	SPX550A0-4A2N1
FR12	600	730	—	820	SPX600A0-4A2N1
	—	820	700	920	SPX650A0-4A2N1
	700	920	800	1030	SPX700A0-4A2N1
FR13	800	1030	900	1150	SPX800A0-4A2N1
	900	1150	1000	1300	SPX900A0-4A2N1
	1000	1300	1200	1450	SPXH10A0-4A2N1
FR14	1200	1600	1500	1770	SPXH12A0-4A2N1
	1600	1940	1800	2150	SPXH16A0-4A2N1
	1900	2300	2200	2700	SPXH19A0-4A2N1

575 V SVX Drives

525–690 V, NEMA Type 1/IP21 Drives

Frame Size	hp (I _H)	Current (I _H)	hp (I _L)	Current (I _L)	Catalog Number
FR6	2	3.3	3	4.5	SVX002A1-5A4N1
	3	4.5	—	5.5	SVX003A1-5A4N1
	—	5.5	5	7.5	SVX004A1-5A4N1
	5	7.5	7-1/2	10	SVX005A1-5A4N1
	7-1/2	10	10	13.5	SVX007A1-5A4N1
	10	13.5	15	18	SVX010A1-5A4N1
	15	18	20	22	SVX015A1-5A4N1
	20	22	25	27	SVX020A1-5A4N1
FR7	25	27	30	34	SVX025A1-5A4N1
	30	34	40	41	SVX030A1-5A4N1
FR8	40	41	50	52	SVX040A1-5A4N1
	50	52	60	62	SVX050A1-5A4N1
FR9	60	62	75	80	SVX060A1-5A4N1
	75	80	100	100	SVX075A1-5A4N1
	100	100	125	125	SVX100A1-5A4N1
FR10	125	125	150	144	SVX125A1-5A4N1
	150	144	—	170	SVX150A1-5A4N1
	—	170	200	208	SVX175A1-5A4N1

Note

① FR10–FR14 includes 3% line reactor, but it is not integral to chassis.

SVX Open Drives



525–690 V, NEMA Type 12/IP54 Drives

Frame Size	hp (I _H)	Current (I _H)	hp (I _L)	Current (I _L)	Catalog Number
FR6	2	3.3	3	4.5	SVX002A2-5A4N1
	3	4.5	—	5.5	SVX003A2-5A4N1
	—	5.5	5	7.5	SVX004A2-5A4N1
	5	7.5	7-1/2	10	SVX005A2-5A4N1
	7-1/2	10	10	13.5	SVX007A2-5A4N1
	10	13.5	15	18	SVX010A2-5A4N1
	15	18	20	22	SVX015A2-5A4N1
	20	22	25	27	SVX020A2-5A4N1
FR7	25	27	30	34	SVX025A2-5A4N1
	30	34	40	41	SVX030A2-5A4N1
FR8	40	41	50	52	SVX040A2-5A4N1
	50	52	60	62	SVX050A2-5A4N1
	60	62	75	80	SVX060A2-5A4N1
FR9	75	80	100	100	SVX075A2-5A4N1
	100	100	125	125	SVX100A2-5A4N1
	125	125	150	144	SVX125A2-5A4N1
	150	144	—	170	SVX150A2-5A4N1
	—	170	200	208	SVX175A2-5A4N1

525–690 V, Open Chassis Drives

Frame Size	hp (I _H)	Current (I _H)	hp (I _L)	Current (I _L)	Catalog Number
FR10	200	208	250	261	SPX200A0-5A2N1
	250	261	300	325	SPX250A0-5A2N1
	300	325	400	385	SPX300A0-5A2N1
FR11	400	385	450	460	SPX400A0-5A2N1
	450	460	500	502	SPX450A0-5A2N1
	500	502	—	590	SPX500A0-5A2N1
FR12	—	590	600	650	SPX550A0-5A2N1
	600	650	700	750	SPX600A0-5A2N1
	700	750	800	820	SPX700A0-5A2N1
FR13	800	820	900	920	SPX800A0-5A2N1
	900	920	1000	1030	SPX900A0-5A2N1
	1000	1030	1250	1180	SPXH10A0-5A2N1
FR14	1350	1300	1500	1500	SPXH13A0-5A2N1
	1500	1500	2000	1900	SPXH15A0-5A2N1
	2000	1900	2300	2250	SPXH20A0-5A2N1

Accessories**2****Demo Drive and Power Supply****Demo Drive and Power Supply**

Description	Catalog Number
9000X demo drive	9000XDEMO

9000X Series—SVX/SPX Conversion and Flange Kits

The Type 12/IP54 option kit is used to convert a Type 1/IP21 to a Type 12/IP54 drive. The kit includes:

NEMA Type 12 / IP54 Conversion Kits

Frame Size	Catalog Number
Frame 4 Type 12/IP54 kit	OPTN12FR4
Frame 5 Type 12/IP54 kit	OPTN12FR5
Frame 6 Type 12/IP54 kit	OPTN12FR6

Flange Kits

The flange kit is used when the power section heat sink is mounted through the back panel of an enclosure. The kit includes hardware and supporting steel plates.

NEMA Type 12 / IP54 Conversion Kits**Kit**

Frame Size	Catalog Number
Frame 4 flange kit Type 12/IP54	OPTTHR4
Frame 5 flange kit Type 12/IP54	OPTTHR5
Frame 6 flange kit Type 12/IP54	OPTTHR6
Frame 7 flange kit Type 12/IP54	OPTTHR7
Frame 8 flange kit Type 12/IP54	OPTTHR8
Frame 9 flange kit Type 12/IP54	OPTTHR9

Options

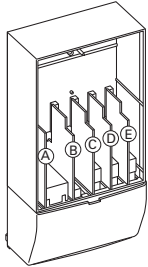
SVX Series Option Board Kits

The SVX Series drives can accommodate a wide selection of expander and adapter option boards to customize the drive for your application needs. The drive's control unit is designed to accept a total of five option boards.

The SVX Series factory installed standard board configuration includes an A9 I/O board and an A2 relay output board, which are installed in slots A and B.

Option Boards

Option Board Kits



Option Kit Description ^①	Allowed Slot Locations ^②	Field Installed Catalog Number	Factory Installed Option Designator	SVX Ready Programs						
				Basic	Local/Remote	Standard	MSS	PID	Multi-P.	PFC
Standard I/O Cards										
6 DI, 1 DO, 2 AI, 1 AO, 1 +10 Vdc ref, 2 ext +24 Vdc/EXT +24 Vdc	A	OPTA9	—	■	■	■	■	■	■	■
2 RO (NC-NO)	B	OPTA2	—	■	■	■	■	■	■	■
Extended I/O Cards										
2 RO, therm	B	OPTA3	A3	—	■	■	■	■	■	■
Encoder low volt +5 V/15 V/24 V—SPX only	C	OPTA4	A4	—	■	■	■	■	■	■
Encoder high volt +15 V/24 V—SPX only	C	OPTA5	A5	—	■	■	■	■	■	■
Double encoder—SPX only	C	OPTA7	A7	■	■	■	■	■	■	■
6 DI, 1 DO, 2 AI, 1 AO	A	OPTA8	A8	—	■	■	■	■	■	■
3 DI (encoder 10–24 V), out +15 V/+24 V, 2 DO (pulse+direction)—SPX only	C	OPTAE	AE	■	■	■	■	■	■	■
6 DI, 1 ext +24 Vdc/EXT +24 Vdc	B, C, D , E	OPTB1	B1	—	—	—	—	—	■	■
1 RO (NC-NO), 1 RO (NO), 1 therm	B, C, D , E	OPTB2	B2	—	—	—	—	—	■	■
1 AI (mA isolated), 2 AO (mA isolated), 1 ext +24 Vdc/EXT +24 Vdc	B, C, D , E	OPTB4	B4	■	■	■	■	■	■	■
3 RO (NO)	B, C, D , E	OPTB5	B5	—	—	—	—	—	■	■
1 ext +24 Vdc/EXT +24 Vdc, 3 Pt100	B, C, D , E	OPTB8	B8	—	—	—	—	—	—	—
1 RO (NO), 5 DI 42–240 Vac input	B, C, D , E	OPTB9	B9	—	—	—	—	—	■	■
Communication Cards										
Modbus RTU	D, E	OPTC2	C2	■	■	■	■	■	■	■
Modbus RTU (D9 connector)	D, E	OPTC8	C8	■	■	■	■	■	■	■
PROFIBUS DP	D, E	OPTC3	C3	■	■	■	■	■	■	■
PROFIBUS DP (D9 connector)	D, E	OPTC5	C5	■	■	■	■	■	■	■
Johnson Controls N2	D, E	OPTC2	CA	—	—	—	—	—	—	—
BACnet MSTP	D, E	OPTCJ	CJ	■	■	■	■	■	■	■
LonWorks	D, E	OPTC4	C4	■	■	■	■	■	■	■
CANopen (slave)	D, E	OPTC6	C6	■	■	■	■	■	■	■
DeviceNet	D, E	OPTC7	C7	■	■	■	■	■	■	■
Modbus TCP	D, E	OPTCI	CI	■	■	■	■	■	■	■
EtherNet/IP	D, E	OPTCQ	CQ	■	■	■	■	■	■	■
PROFINET, Modbus TCP, EtherNet/IP (dual-port) ^④	D, E	OPTC9	E9	■	■	■	■	■	■	■
EtherCAT (dual-port) ^④	D, E	OPTCQ	EQ	■	■	■	■	■	■	■
SPX adapter	D, E	OPTD1	D1	■	■	■	■	■	■	■
SPX adapter	D, E	OPTD2	D2	■	■	■	■	■	■	■
RS-232 adapter	D, E	OPTD3	D3	■	■	■	■	■	■	■

Notes

^① AI = Analog Input; AO = Analog Output, DI = Digital Input, DO = Digital Output, RO = Relay Output

^② Option card must be installed in one of the slots listed for that card. Slot indicated in bold is the preferred location.

^③ OPTC2 is a multi-protocol option card.

^④ Available October 2016.

2.7

Adjustable Frequency Drives

SVX Drives

2

Modbus RTU Network Communications

The Modbus Network Card OPTC2 is used for connecting the SVX Drive as a slave on a Modbus network. The interface is connected by a 9-pin DSUB connector (female) and the baud rate ranges from 300 to 19,200 baud. Other communication parameters include an address range from 1 to 247; a parity of None, Odd or Even; and the stop bit is 1.

PROFIBUS Network Communications

The PROFIBUS Network Card OPTC3 is used for connecting the SVX Drive as a slave on a PROFIBUS-DP network. The interface is connected by a 9-pin DSUB connector (female). The baud rates range from 9.6 Kbaud to 12 Mbaud, and the addresses range from 1 to 127.

LonWorks Network Communications

The LonWorks Network Card OPTC4 is used for connecting the SVX Drive on a LonWorks network. This interface uses Standard Network Variable Types (SNVT) as data types.

The channel connection is achieved using a FTT-10 A Free Topology transceiver via a single twisted transfer cable. The communication speed with LonWorks is 78 kBits/s.

CANopen (Slave) Communications

The CANopen (Slave) Network Card OPTC6 is used for connecting the SVX Drive to a host system. According to ISO11898 standard cables to be chosen for CANbus should have a nominal impedance of 120 ohms, and specific line delay of nominal 5 nS/m. 120 ohms line termination resistors required for installation.

DeviceNet Network Communications

The DeviceNet Network Card OPTC7 is used for connecting the SVX Drive on a DeviceNet Network. It includes a 5.08 mm pluggable connector. Transfer method is via CAN using a two-wire twisted shielded cable with two-wire bus power cable and drain. The baud rates used for communication include 125 Kbaud, 250 Kbaud and 500 Kbaud.

Johnson Controls Metasys N2 Network Communications

The OPTC2 fieldbus board provides communication between the SVX Drive and a Johnson Controls Metasys™ N2 network. With this connection, the drive can be controlled, monitored and programmed from the Metasys system. The N2 fieldbus is available as a factory installed option and as a field installable kit.

Modbus/TCP Network Communications

The Modbus/TCP Network Card OPTC1 is used for connecting the SVX Drive to Ethernet networks utilizing Modbus protocol. It includes an RJ-45 pluggable connector. This interface provides a selection of standard and custom register values to communicate drive parameters. The board supports 10 Mbps and 100 Mbps communication speeds. The IP address of the board is configurable over Ethernet using a supplied software tool.

BACnet Network Communications

The BACnet Network Card OPTCJ is used for connecting the SVX Drive to BACnet networks. It includes a 5.08 mm pluggable connector. Data transfer is Master-Slave/Token Passing (MS/TP) RS-485. This interface uses a collection of 30 Binary Value Objects (BVOs) and 35 Analog Value Objects (AVOs) to communicate drive parameters. The card supports 9.6, 19.2 and 38.4 Kbaud communication speeds and supports network addresses 1–127.

EtherNet/IP Network Communications

The EtherNet/IP Network Card OPTCK is used for connecting the SVX Drive to Ethernet/Industrial Protocol networks. It includes an RJ-45 pluggable connector. The interface uses CIP objects to communicate drive parameters (CIP is “Common Industrial Protocol”, the same protocol used by DeviceNet). The board supports 10 Mbps and 100 Mbps communication speeds. The IP address of the board is configurable by Static, BOOTP and DHCP methods.

Control Panel Options

Factory Options

Description	Factory Installed Option Code	Field Installed NEMA Type 1/IP21 Catalog Number
Local/Remote Keypad SVX Control Panel —This option is standard on all drives and consists of an RS-232 connection, backlit alphanumeric LCD display with nine indicators for the RUN status and two indicators for the control source. The nine pushbuttons on the panel are used for panel programming and monitoring of all SVX parameters. The panel is detachable and isolated from the input line potential. Include LOC/REM key to choose control location.	A	KEYPAD-LOC/REM
Keypad Remote Mounting Kit —This option is used to remote mount the SVX keypad. The footprint is compatible to the SV remote mount kit. Includes 10 ft cable, keypad holder and mounting hardware.	—	OPTRMT-KIT-9000X

Miscellaneous Options

Description	Catalog Number
9000XDrive —A PC-based tool for controlling and monitoring of the SVX. Features include: loading parameters that can be saved to a file or printed, setting references, starting and stopping the motor, monitoring signals in graphical or text form, and real-time display. To avoid damage to the drive or computer, SVDrivecable must be used.	9000XDRIVE
SVDrivecable —6 ft (1.8 m) RS-232 cable (22 gauge) with a 7-pin connector on each end. Should be used in conjunction with the 9000XDrive option to avoid damage to the SVX or computer. The same cable can be used for downloading specialized applications to the drive.	SVDRIVECABLE
External Dynamic Braking Resistors —Used with the dynamic braking chopper circuit to absorb motor regenerative energy for stopping the load and to dissipate the energy flowing back into the drive. Resistors are separated into standard duty and heavy-duty. Standard duty is defined as 20% duty or less with 100% braking torque, while heavy-duty is defined as 50% duty or less with 150% braking torque.	See Page V6-T2-111

Open Drive Options**Brake Chopper Options**

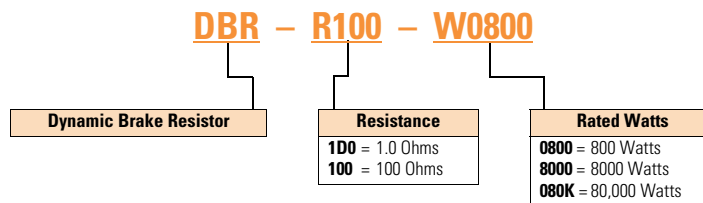
The brake chopper circuit option is used for applications that require dynamic braking. Dynamic braking resistors are not included with drive purchase. Consult the factory for additional dynamic braking resistor selections that are supplied separately. A list of common resistors are listed below and are complete indoor assemblies, include a pre-wired terminal block and a thermal switch, and are not UL Listed.

Duty Cycle

The duty cycle rating is based on a 60-second period. For example, the 20% duty cycle resistor can carry 100% current for 12 seconds out of every 60 seconds, while the 50% duty cycle resistor can carry 150% current for 30 seconds out of every 60 seconds.

Torque

If the braking torque required is less than 15%, dynamic braking is not required because the regenerated energy will be dissipated in the drive and motor losses.

Dynamic Brake Resistor—Catalog Number Selection**230 V Brake Resistors**

Drive hp (CT/l _H)	Minimum Ohms	20% Duty Cycle, 100% Torque		50% Duty Cycle, 150% Torque	
		Catalog Number	Dimensions (Inches)	Catalog Number	Dimensions (Inches)
0.75	30.0	DBR-R100-W0400	12W x 5D x 5H	DBR-R100-W0800	12W x 7D x 5H
1	30.0	DBR-R100-W0400	12W x 5D x 5H	DBR-R100-W0800	12W x 7D x 5H
1.5	30.0	DBR-R100-W0400	12W x 5D x 5H	DBR-R036-W1200	12W x 10D x 5H
2	30.0	DBR-R100-W0400	12W x 5D x 5H	DBR-R036-W1200	12W x 10D x 5H
3	30.0	DBR-R036-W0800	12W x 7D x 5H	DBR-R036-W2000	12W x 16D x 5H
4	30.0	DBR-R036-W0800	12W x 7D x 5H	DBR-R030-W2400	19W x 10D x 5H
5	30.0	DBR-R036-W0800	12W x 7D x 5H	DBR-R030-W2800	19W x 13D x 5H
7.5	20.0	DBR-R020-W1200	12W x 10D x 5H	DBR-R020-W4800	26.5W x 13D x 5H
10	10.0	DBR-R015-W1600	12W x 13D x 5H	DBR-R112-W6000	26.5W x 13D x 5H
15	10.0	DBR-R012-W2400	19W x 10D x 5H	DBR-R010-W9000	28W x 10D x 10H
20	3.3	DBR-R9D3-W3200	19W x 10D x 5H	DBR-R3D4-W012K	28W x 10D x 10H
25	3.3	DBR-R5D5-W4000	26.5W x 10D x 5H	DBR-R5D1-W015K	28W x 16D x 10H
30	3.3	DBR-R4D8-W4800	26.5W x 10D x 5H	DBR-R4D1-W020K	28W x 16D x 10H
40	1.4	DBR-R004-W6000	26.5W x 13D x 5H	DBR-R3D4-W025K	30W x 18D x 16H
50	1.4	DBR-R3D1-W7500	26.5W x 16D x 5H	DBR-R2D1-W030K	30W x 18D x 24H
60	1.4	DBR-R2D8-W9000	26.5W x 16D x 5H	DBR-R002-W036K	30W x 18D x 24H
75	1.4	DBR-R2D6-W012K	28W x 10D x 10H	DBR-R1D5-W045K	30W x 18D x 32H
100	1.4	DBR-R002-W015K	28W x 16D x 10H	DBR-R1D4-W060K	30W x 18D x 40H

480 V Brake Resistors

Drive hp (CT/l _H)	Minimum Ohms	20% Duty Cycle, 100% Torque		50% Duty Cycle, 150% Torque	
		Catalog Number	Dimensions (Inches)	Catalog Number	Dimensions (Inches)
1	63.0	DBR-R100-W0400	12W x 5D x 5H	DBR-R100-W0800	12W x 7D x 5H
1.5	63.0	DBR-R100-W0400	12W x 5D x 5H	DBR-R100-W1200	12W x 10D x 5H
2	63.0	DBR-R100-W0400	12W x 5D x 5H	DBR-R100-W1200	12W x 10D x 5H
3	63.0	DBR-R100-W0800	12W x 7D x 5H	DBR-R100-W2000	12W x 16D x 5H
5	63.0	DBR-R100-W0800	12W x 7D x 5H	DBR-R100-W2800	19W x 13D x 5H
6	63.0	DBR-R100-W1200	12W x 10D x 5H	DBR-R070-W4000	19W x 16D x 5H
7.5	63.0	DBR-R100-W1200	12W x 10D x 5H	DBR-R063-W4800	26.5W x 13D x 5H
10	63.0	DBR-R063-W1600	12W x 13D x 5H	DBR-R063-W6000	26.5W x 16D x 5H
15	42.0	DBR-R042-W2400	19W x 10D x 5H	DBR-R042-W9000	28W x 10D x 10H
20	21.0	DBR-R030-W3200	19W x 13D x 5H	DBR-R023-W012K	28W x 13D x 10H
25	21.0	DBR-R030-W4000	19W x 16D x 5H	DBR-R021-W015K	28W x 13D x 10H
30	14.0	DBR-R020-W4800	26.5W x 13D x 5H	DBR-R014-W020K	30W x 18D x 24H
40	6.5	DBR-R112-W6000	26.5W x 13D x 5H	DBR-R007-W025K	30W x 18D x 16H
50	6.5	DBR-R013-W7500	26.5W x 16D x 5H	DBR-R8D5-W030K	30W x 18D x 24H
60	6.5	DBR-R010-W9000	28W x 10D x 10H	DBR-R7D3-W036K	30W x 18D x 24H
75	3.3	DBR-R009-W012K	28W x 13D x 10H	DBR-R3D3-W045K	30W x 18D x 32H
100	3.3	DBR-R5D1-W015K	28W x 16D x 10H	DBR-R004-W060K	30W x 18D x 40H
125	3.3	DBR-R4D1-W020K	28W x 16D x 10H	DBR-R004-W070K	30W x 18D x 48H
150	3.3	DBR-R3D4-W025K	30W x 18D x 16H	DBR-R3D5-W085K	30W x 18D x 56H
200	3.3	DBR-R3D3-W030K	30W x 18D x 24H	DBR-R3D3-W110K	30W x 18D x 72H
250	1.4	DBR-R2D5-W036K	30W x 18D x 24H	①	—
300	1.4	DBR-R1D5-W045K	30W x 18D x 32H	①	—
350	1.4	DBR-R1D4-W060K	30W x 18D x 40H	①	—
400	0.9	DBR-R1D4-W060K	30W x 18D x 40H	①	—
500	0.9	DBR-R0D9-W080K	30W x 18D x 48H	①	—
550	0.9	DBR-R001-W085K	30W x 18D x 56H	①	—

Note

① Consult factory.

575 V Brake Resistors

Drive hp (CT/1H)	Minimum Ohms	20% Duty Cycle, 100% Torque		50% Duty Cycle, 150% Torque	
		Catalog Number	Dimensions (Inches)	Catalog Number	Dimensions (Inches)
2	100.0	DBR-R100-W0400	12W x 5D x 5H	DBR-R100-W1200	12W x 10D x 5H
3	100.0	DBR-R100-W0800	12W x 7D x 5H	DBR-R100-W2000	12W x 16D x 5H
4	100.0	DBR-R100-W0800	12W x 7D x 5H	DBR-R100-W2400	19W x 10D x 5H
5	100.0	DBR-R100-W0800	12W x 7D x 5H	DBR-R100-W2800	19W x 13D x 5H
7.5	100.0	DBR-R100-W1200	12W x 10D x 5H	DBR-R100-W4800	26.5W x 13D x 5H
10	30.0	DBR-R063-W1600	12W x 13D x 5H	DBR-R063-W6000	26.5W x 16D x 5H
15	30.0	DBR-R042-W2400	19W x 10D x 5H	DBR-R042-W9000	28W x 10D x 10H
20	30.0	DBR-R030-W3200	19W x 13D x 5H	DBR-R030-W012K	28W x 13D x 10H
25	30.0	DBR-R030-W4000	19W x 16D x 5H	DBR-R030-W015K	28W x 16D x 10H
30	18.0	DBR-R020-W4800	26.5W x 13D x 5H	DBR-R020-W020K	30W x 18D x 16H
40	18.0	DBR-R030-W6000	26.5W x 16D x 5H	DBR-R184-W025K	30W x 18D x 16H
50	9.0	DBR-R013-W7500	26.5W x 16D x 5H	DBR-R012-W030K	30W x 18D x 24H
60	9.0	DBR-R010-W9000	28W x 10D x 10H	DBR-R010-W036K	30W x 18D x 24H
75	9.0	DBR-R009-W012K	28W x 13D x 10H	DBR-R009-W045K	30W x 18D x 24H
100	7.0	DBR-R013-W015K	28W x 16D x 10H	DBR-R8D4-W060K	30W x 18D x 40H
125	7.0	DBR-R8D2-W020K	30W x 18D x 10H	DBR-R007-W070K	30W x 18D x 40H
150	7.0	DBR-R007-W025K	30W x 18D x 16H	DBR-R006-W085K	30W x 18D x 56H
175	7.0	DBR-R007-W030K	30W x 18D x 24H	DBR-R007-W100K	30W x 18D x 72H
200	2.5	DBR-R3D3-W030K	30W x 18D x 24H	DBR-R2D6-W110K	30W x 18D x 64H
250	2.5	DBR-R2D5-W036K	30W x 18D x 24H	DBR-R003-W140K	30W x 18D x 72H
300	2.5	DBR-R3D3-W045K	30W x 18D x 32H	①	—
400	1.7	DBR-R002-W060K	30W x 18D x 48H	①	—
450	1.7	DBR-R1D8-W070K	30W x 18D x 48H	①	—
500	1.7	DBR-R002-W080K	30W x 18D x 56H	①	—

Note

① Consult factory.

2.7

Adjustable Frequency Drives

SVX Drives

2

Line and Load Reactors

A line and load reactor is a three-phase inductance filter that can be placed on the line and load side of the AFD to help improve the harmonic performance of the system. Consult the factory for additional filtering options and further technical details.

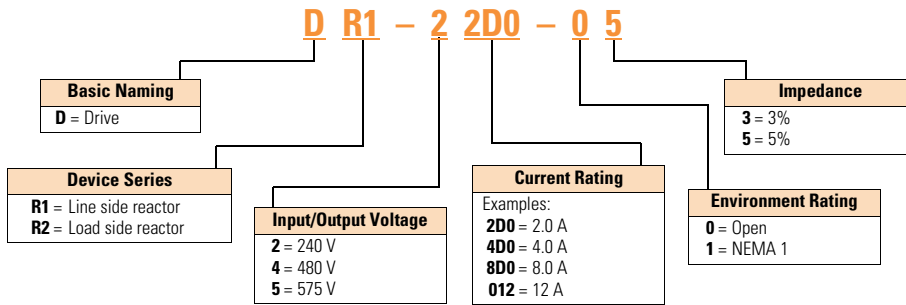
DR1 Line Reactor

A line reactor helps to provide a moderate reduction in current harmonics similar to a DC choke. It also provides increased input protection for AFD and its semiconductors from line transients helping to extend the life of the AFD.

DR2 Output Reactor

An output filter is used to reduce the transient voltage (dV/dt) at the motor terminals. The output filter is recommended for cable lengths exceeding 100 ft (30 m) with a drive of 3 hp and above and for cable lengths of 33 ft (10 m) with a drive of 2 hp and below.

Line and Load Reactors—Catalog Number Selection



Line and Load Reactors—230 V

hp (CT)	Open Line Reactor	
	3%	5%
0.75	DR1-23D2-03	DR1-23D2-05
1	DR1-24D2-03	DR1-24D2-05
1.5	DR1-26D0-03	DR1-26D0-05
2	DR1-26D8-03	DR1-26D8-05
3	DR1-29D6-03	DR1-29D6-05
5	DR1-2015-03	DR1-2015-05
7.5	DR1-2022-03	DR1-2022-05
10	DR1-2028-03	DR1-2028-05
15	DR1-2042-03	DR1-2042-05
20	DR1-2054-03	DR1-2054-05
25	DR1-2068-03	DR1-2068-05
30	DR1-2080-03	DR1-2080-05
40	DR1-2104-03	DR1-2104-05
50	DR1-2130-03	DR1-2130-05
60	DR1-2154-03	DR1-2154-05
75	DR1-2192-03	DR1-2192-05
100	DR1-2248-03	DR1-2248-05

Load Reactor	
3%	5%
DR2-24D0-03	DR2-24D0-05
DR2-24D0-03	DR2-28D0-05
DR2-28D0-03	DR2-28D0-05
DR2-28D0-03	DR2-28D0-05
DR2-2012-03	DR2-2012-05
DR2-2018-03	DR2-2018-05
DR2-2025-03	DR2-2025-05
DR2-2035-03	DR2-2035-05
DR2-2045-03	DR2-2045-05
DR2-2055-03	DR2-2055-05
DR2-2080-03	DR2-2080-05
DR2-2080-03	DR2-2100-05
DR2-2100-03	DR2-2100-05
DR2-2130-03	DR2-2130-05
DR2-2160-03	DR2-2200-15
DR2-2200-13	DR2-2200-15
DR2-2225-13	DR2-2225-15

NEMA 1 Line Reactor	
3%	5%
DR1-23D2-13	DR1-23D2-15
DR1-24D2-13	DR1-24D2-15
DR1-26D0-13	DR1-26D0-15
DR1-26D8-13	DR1-26D8-15
DR1-29D6-13	DR1-29D6-15
DR1-2015-13	DR1-2015-15
DR1-2022-13	DR1-2022-15
DR1-2028-13	DR1-2028-15
DR1-2042-13	DR1-2042-15
DR1-2054-13	DR1-2054-15
DR1-2068-13	DR1-2068-15
DR1-2080-13	DR1-2080-15
DR1-2104-13	DR1-2104-15
DR1-2130-13	DR1-2130-15
DR1-2154-13	DR1-2154-15
DR1-2192-13	DR1-2192-15
DR1-2248-13	DR1-2248-15

Load Reactor	
3%	5%
DR2-24D0-13	DR2-24D0-15
DR2-24D0-13	DR2-28D0-15
DR2-28D0-13	DR2-28D0-15
DR2-28D0-13	DR2-28D0-15
DR2-2012-13	DR2-2012-15
DR2-2018-13	DR2-2018-15
DR2-2025-13	DR2-2025-15
DR2-2035-13	DR2-2035-15
DR2-2045-13	DR2-2045-15
DR2-2055-13	DR2-2055-15
DR2-2080-13	DR2-2080-15
DR2-2080-13	DR2-2100-15
DR2-2100-13	DR2-2100-15
DR2-2130-13	DR2-2130-15
DR2-2160-13	DR2-2200-15
DR2-2200-13	DR2-2200-15
DR2-2225-13	DR2-2225-15

Line and Load Reactors—480 V

hp (CT)	Open Line Reactor	
	3%	5%
1	DR1-42D1-03	DR1-42D1-05
1.5	DR1-43D0-03	DR1-43D0-05
2	DR1-43D4-03	DR1-43D4-05
3	DR1-44D8-03	DR1-44D8-05
5	DR1-47D6-03	DR1-47D6-05
7.5	DR1-4011-03	DR1-4011-05
10	DR1-4014-03	DR1-4014-05
15	DR1-4021-03	DR1-4021-05
20	DR1-4027-03	DR1-4027-05
25	DR1-4034-03	DR1-4034-05
30	DR1-4040-03	DR1-4040-05
40	DR1-4052-03	DR1-4052-05
50	DR1-4065-03	DR1-4065-05
60	DR1-4077-03	DR1-4077-05
75	DR1-4096-03	DR1-4096-05
100	DR1-4124-03	DR1-4124-05
125	DR1-4156-03	DR1-4156-05
150	DR1-4180-03	DR1-4180-05
200	DR1-4240-03	DR1-4240-05
250	DR1-4302-03	DR1-4302-05
300	DR1-4361-03	DR1-4361-05
350	DR1-4414-03	DR1-4414-05
400	DR1-4477-03	DR1-4477-05
500	DR1-4590-03	DR1-4590-05
600	DR1-4708-03	DR1-4708-05

Load Reactor	
3%	5%
DR2-42D0-05	DR2-42D0-05
DR2-44D0-05	DR2-44D0-05
DR2-44D0-03	DR2-44D0-05
DR2-48D0-03	DR2-48D0-05
DR2-48D0-03	DR2-48D0-05
DR2-4012-03	DR2-4012-05
DR2-4018-03	DR2-4018-05
DR2-4025-03	DR2-4025-05
DR2-4025-03	DR2-4025-05
DR2-4035-03	DR2-4035-05
DR2-4045-03	DR2-4045-05
DR2-4055-03	DR2-4055-05
DR2-4080-03	DR2-4080-05
DR2-4100-03	DR2-4080-05
DR2-4100-03	DR2-4100-05
DR2-4130-03	DR2-4130-05
DR2-4160-03	DR2-4160-05
DR2-4200-13	DR2-4200-15
DR2-4250-13	DR2-4250-15
DR2-4320-13	DR2-4320-15
DR2-4400-13	DR2-4400-15
DR2-4400-13	DR2-4400-15
DR2-4500-03	DR2-4500-05
DR2-4600-03	DR2-4600-05
DR2-4750-03	DR2-4750-05

NEMA 1 Line Reactor	
3%	5%
DR1-42D1-13	DR1-42D1-15
DR1-43D0-13	DR1-43D0-15
DR1-43D4-13	DR1-43D4-15
DR1-44D8-13	DR1-44D8-15
DR1-47D6-13	DR1-47D6-15
DR1-4011-13	DR1-4011-15
DR1-4014-13	DR1-4014-15
DR1-4021-13	DR1-4021-15
DR1-4027-13	DR1-4027-15
DR1-4034-13	DR1-4034-15
DR1-4040-13	DR1-4040-15
DR1-4052-13	DR1-4052-15
DR1-4065-13	DR1-4065-15
DR1-4077-13	DR1-4077-15
DR1-4096-13	DR1-4096-15
DR1-4124-13	DR1-4124-15
DR1-4156-13	DR1-4156-15
DR1-4180-13	DR1-4180-15
DR1-4240-13	DR1-4240-15
DR1-4302-13	DR1-4302-15
DR1-4361-13	DR1-4361-15
DR1-4414-13	DR1-4414-15
DR1-4477-13	DR1-4477-15
DR1-4590-13	DR1-4590-15
DR1-4708-13	DR1-4708-15

Load Reactor	
3%	5%
DR2-42D0-13	DR2-42D0-15
DR2-44D0-13	DR2-44D0-15
DR2-44D0-13	DR2-44D0-15
DR2-48D0-13	DR2-48D0-15
DR2-48D0-13	DR2-48D0-15
DR2-4012-13	DR2-4012-15
DR2-4018-13	DR2-4018-15
DR2-4025-13	DR2-4025-15
DR2-4025-13	DR2-4025-15
DR2-4035-13	DR2-4035-15
DR2-4045-13	DR2-4045-15
DR2-4055-13	DR2-4055-15
DR2-4080-13	DR2-4080-15
DR2-4100-13	DR2-4080-15
DR2-4100-13	DR2-4100-15
DR2-4130-13	DR2-4130-15
DR2-4160-13	DR2-4160-15
DR2-4200-13	DR2-4200-15
DR2-4250-13	DR2-4250-15
DR2-4320-13	DR2-4320-15
DR2-4400-13	DR2-4400-15
DR2-4400-13	DR2-4400-15
DR2-4500-13	DR2-4500-15
DR2-4600-13	DR2-4600-15
DR2-4750-13	DR2-4750-15

Line and Load Reactors—575 V

hp (CT)	Open Line Reactor	
	3%	5%
2	DR1-52D7-03	DR1-52D7-05
3	DR1-53D9-03	DR1-53D9-05
5	DR1-56D1-03	DR1-56D1-05
7.5	DR1-59D0-03	DR1-59D0-05
10	DR1-5011-03	DR1-5011-05
15	DR1-5017-03	DR1-5017-05
20	DR1-5022-03	DR1-5022-05
25	DR1-5027-03	DR1-5027-05
30	DR1-5032-03	DR1-5032-05
40	DR1-5041-03	DR1-5041-05
50	DR1-5052-03	DR1-5052-05
60	DR1-5062-03	DR1-5062-05
75	DR1-5077-03	DR1-5077-05
100	DR1-5100-03	DR1-5100-05
125	DR1-5125-03	DR1-5125-05
150	DR1-5144-03	DR1-5144-05
200	DR1-5192-03	DR1-5192-05
250	DR1-5242-03	DR1-5242-05
300	DR1-5289-03	DR1-5289-05
400	DR1-5382-03	DR1-5382-05
450	DR1-5412-03	DR1-5412-05
500	DR1-5472-03	DR1-5472-05
600	DR1-5576-03	DR1-5576-05

Load Reactor	
3%	5%
DR2-54D0-03	DR2-54D0-05
DR2-54D0-03	DR2-54D0-05
DR2-58D0-03	DR2-58D0-05
DR2-58D0-03	DR2-58D0-05
DR2-5012-03	DR2-5012-05
DR2-5018-03	DR2-5018-05
DR2-5025-03	DR2-5025-05
DR2-5025-03	DR2-5025-05
DR2-5035-03	DR2-5035-05
DR2-5045-03	DR2-5045-05
DR2-5055-03	DR2-5055-05
DR2-5080-03	DR2-5080-05
DR2-5080-03	DR2-5080-05
DR2-5100-03	DR2-5100-05
DR2-5130-03	DR2-5130-05
DR2-5160-03	DR2-5160-05
DR2-5200-13	DR2-5200-15
DR2-5250-13	DR2-5250-15
DR2-5320-13	DR2-5320-15
DR2-5400-13	DR2-5400-15
DR2-5400-13	DR2-5400-15
DR2-5500-03	DR2-5500-05
DR2-5600-03	DR2-5600-05

NEMA 1 Line Reactor	
3%	5%
DR1-52D7-13	DR1-52D7-15
DR1-53D9-13	DR1-53D9-15
DR1-56D1-13	DR1-56D1-15
DR1-59D0-13	DR1-59D0-15
DR1-5011-13	DR1-5011-15
DR1-5017-13	DR1-5017-15
DR1-5022-13	DR1-5022-15
DR1-5027-13	DR1-5027-15
DR1-5032-13	DR1-5032-15
DR1-5041-13	DR1-5041-15
DR1-5052-13	DR1-5052-15
DR1-5062-13	DR1-5062-15
DR1-5077-13	DR1-5077-15
DR1-5100-13	DR1-5100-15
DR1-5125-13	DR1-5125-15
DR1-5144-13	DR1-5144-15
DR1-5192-13	DR1-5192-15
DR1-5242-13	DR1-5242-15
DR1-5289-13	DR1-5289-15
DR1-5382-13	DR1-5382-15
DR1-5412-13	DR1-5412-15
DR1-5472-13	DR1-5472-15
DR1-5576-13	DR1-5576-15

Load Reactor	
3%	5%
DR2-54D0-13	DR2-54D0-15
DR2-54D0-13	DR2-54D0-15
DR2-58D0-13	DR2-58D0-15
DR2-58D0-13	DR2-58D0-15
DR2-5012-13	DR2-5012-15
DR2-5018-13	DR2-5018-15
DR2-5025-13	DR2-5025-15
DR2-5025-13	DR2-5025-15
DR2-5035-13	DR2-5035-15
DR2-5045-13	DR2-5045-15
DR2-5055-13	DR2-5055-15
DR2-5080-13	DR2-5080-15
DR2-5080-13	DR2-5080-15
DR2-5100-13	DR2-5100-15
DR2-5130-13	DR2-5130-15
DR2-5160-13	DR2-5160-15
DR2-5200-13	DR2-5200-15
DR2-5250-13	DR2-5250-15
DR2-5320-13	DR2-5320-15
DR2-5400-13	DR2-5400-15
DR2-5400-13	DR2-5400-15
DR2-5500-13	DR2-5500-15
DR2-5600-13	DR2-5600-15

Replacement Parts

FR4 Spare Parts

2

Category	Description	Quantity/ Drive	230 V Catalog Number	480 V Catalog Number	575 V Catalog Number
Control fan	NEMA Type 12 control fan ^①	1	PP01086	PP01086	—
Control module ^②	SVX control module	1	CSBS0000000000	CSBS0000000000	—
	Standard slot A I/O card	1	OPTA9	OPTA9	—
	Standard slot B I/O card	1	OPTA2	OPTA2	—
Keypad ^②	SVX/SPX keypad	1	KEYPAD-LOC/REM	KEYPAD-LOC/REM	—
Main fan ^②	DC fan (main)	1	PP01060	PP01060	—
Other	Mounting kit, fixing kit	1	FR00040	FR00040	—
	Mounting kit, fixing kit, N12 ^①	1	FR00079	FR00079	—
	Control cover, plastic, N1	1	FR00006	FR00006	—

FR5 Spare Parts

Category	Description	Quantity/ Drive	230 V Catalog Number	480 V Catalog Number	575 V Catalog Number
Control fan	NEMA Type 12 control fan ^①	1	PP01088	PP01088	—
Control module ^②	SVX control module	1	CSBS0000000000	CSBS0000000000	—
	Standard slot A I/O card	1	OPTA9	OPTA9	—
	Standard slot B I/O card	1	OPTA2	OPTA2	—
Keypad ^②	SVX/SPX keypad	1	KEYPAD-LOC/REM	KEYPAD-LOC/REM	—
Main fan ^②	DC fan (main)	1	PP01061	PP01061	—
Other	Mounting kit, fixing kit	1	FR00050	FR00050	—
	Mounting kit, fixing kit, N12 ^①	1	FR00081	FR00081	—

FR6 Spare Parts

Category	Description	Quantity/ Drive	230 V Catalog Number	480 V Catalog Number	575 V Catalog Number
Control fan	NEMA Type 12 control fan ^①	1	PP01049	PP01049	—
Control module ^②	SVX control module	1	CSBS0000000000	CSBS0000000000	CSBS0000000000
	Standard slot A I/O card	1	OPTA9	OPTA9	OPTA9
	Standard slot B I/O card	1	OPTA2	OPTA2	OPTA2
Keypad ^②	SVX/SPX keypad	1	KEYPAD-LOC/REM	KEYPAD-LOC/REM	KEYPAD-LOC/REM
Main fan ^②	DC fan (main)	1	PP01062	PP01062	—
Other	Mounting kit, fixing kit	1	FR00060	FR00060	FR00060
	Mounting kit, fixing kit, N12 ^①	1	FR00082	FR00082	FR00082
	Control cover, plastic, N1	1	FR06011	FR06011	FR06011

FR7 Spare Parts

Category	Description	Quantity/ Drive	230 V Catalog Number	480 V Catalog Number	575 V Catalog Number
Control fan	NEMA Type 12 control fan ^①	1	PP01049	PP01049	PP01049
Control module ^②	SVX control module	1	CSBS0000000000	CSBS0000000000	CSBS0000000000
	Standard slot A I/O card	1	OPTA9	OPTA9	OPTA9
	Standard slot B I/O card	1	OPTA2	OPTA2	OPTA2
Keypad ^②	SVX/SPX keypad	1	KEYPAD-LOC/REM	KEYPAD-LOC/REM	KEYPAD-LOC/REM
Main fan ^②	DC fan (main)	1	PP01063	PP01063	PP01063
Other	Mounting kit, fixing kit	1	FR07071	FR07071	FR07071
	Mounting kit, fixing kit, N12 ^①	1	FR07072	FR07072	FR07072
	Control cover, plastic, N1	1	FR07011	FR07011	FR07011

Notes

^① Only for NEMA Type 12/IP54 Type drives.

^② Factory recommended spare parts.

FR8 Spare Parts

Category	Description	Quantity/ Drive	230 V Catalog Number	480 V Catalog Number	575 V Catalog Number
Control fan	NEMA Type 12 control fan ^①	1	CP01180	CP01180	CP01180
Control module ^②	SVX control module	1	CSBS0000000000	CSBS0000000000	CSBS0000000000
	Standard slot A I/O card	1	OPTA9	OPTA9	OPTA9
	Standard slot B I/O card	1	OPTA2	OPTA2	OPTA2
Keypad ^②	SVX/SPX keypad	1	KEYPAD-LOC/REM	KEYPAD-LOC/REM	KEYPAD-LOC/REM
Main AC fan	Fan AC	1	PP01123	PP01123	PP01123
	Fan fuse	2	PP20202	PP20202	PP20202
	Starting cap	1	S00734	S00734	S00734
	Fan driver board AC	1	VB00599	VB00799	VB00799
	Isolation transformer (fan)	1	S0000113	S0000113	S0000113
Main DC fan ^②	DC fan	1	PP00071	PP00071	PP00071
	DC power supply	1	S01016	S01016	S01016
Other	Front cover, N12 ^①	1	FR08079	FR08079	FR08079
	Conduit plate, N12	1	FR08082	FR08082	FR08082

FR9 Spare Parts

Category	Description	Quantity/ Drive	230 V Catalog Number	480 V Catalog Number	575 V Catalog Number
Control fan	50 mm fan	1	PP09041	PP09041	PP09041
	80 mm fan	1	PP01068	PP01068	PP01068
Control module ^①	SVX control module	1	CSBS0000000000	CSBS0000000000	CSBS0000000000
	Standard slot A I/O card	1	OPTA9	OPTA9	OPTA9
	Standard slot B I/O card	1	OPTA2	OPTA2	OPTA2
Inverter	Power module ^②	1	FR09-0261-2-ANV	FR09-0261-4-ANV	FR09-0125-5-ANV
		1	FR09-0300-2-ANV	FR09-0300-4-ANV	FR09-0144-5-ANV
		1	—	—	FR09-0170-5-ANV
	Driver board	1	S00583	S00583	S00583
	Shunt board ^②	6	—	VB00535	VB00537
		6	—	VB00536	VB00542
6		—	—	VB00543	
DC section	Balancing resistor	3	PP00052	PP00052	PP00052
	Bus capacitor	8	S00335	S00335	PP01041
	DC busbars DC-	1	FR09043	FR09043	FR09043
	DC busbars DC+	1	FR09044	FR09044	FR09044
	DC busbars connection	1	FR09045	FR09045	FR09045
	DC busbars +/- insulator	1	FR09046	FR09046	FR09046
	DC busbars -/con insulator	1	FR09047	FR09047	FR09047
Converter	Rectifier module	1	FR09826	FR09822	FR09823
	Diode	3	CP01268	CP01268	CP01268
	Rectifier board	1	—	VB00459	VB00460
Keypad ^①	SVX/SPX keypad	1	KEYPAD-LOC/REM	KEYPAD-LOC/REM	KEYPAD-LOC/REM
Main DC fan ^①	DC fan	1	PP00072	PP00072	PP00072
	DC power supply	1	S01017	S01017	S01017
Other	Front cover power	1	FR09012	FR09012	FR09012
	Front cover connection	1	FR09013	FR09013	FR09013
	Front power conduit	1	FR09014	FR09014	FR09014

Notes

^① Factory recommended spare parts.

^② Select one part number based on the amperage rating of the drive. Please contact EatonCare at 877-ETN-CARE for assistance.

FR10 Spare Parts

2

Category	Description	Quantity/ Drive	230 V Catalog Number	480 V Catalog Number	575 V Catalog Number
Control	Fiber board	1	—	S00451	S00451
	ASIC board	1	—	S00457	S00457
Control fan	ASIC fan	1	—	PP01096	PP01096
Control module ^①	SVX control module	1	—	CPBS0000000000	CPBS0000000000
	Standard slot A I/O card	1	—	OPTA9	OPTA9
	Standard slot B I/O card	1	—	OPTA2	OPTA2
Inverter	Power module ^②	1	—	FR10-0385-4-ANV	FR10-0261-5-ANV
		1	—	FR10-0460-4-ANV	FR10-0325-5-ANV
		1	—	FR10-0520-4-ANV	FR10-0385-5-ANV
		1	—	—	FR10-0416-5-ANV
	Driver board	1	—	S00450	S00450
	Driver adapter board	1	—	VB00330	VB00330
	Shunt board ^②	6	—	VB00497	VB00510
6		—	VB00498	VB00511	
6		—	VB00537	VB00545	
Covers	Top cover	1	—	FR10340	FR10340
	Side cover	2	—	FR10341	FR10341
DC section	Balancing resistor	2	—	PP13027	PP13028
	DC busbars kit (right)	1	—	S0000005	S0000005
	Bus capacitor	12	—	S00335	S00336
Converter	Rectifier module	1	—	FR10823	FR10823
	Charging resistor	1	—	PP00066	PP00066
	Diode	3	—	PP01177	PP01177
	Rectifier board	1	—	S00591	S00592
Keypad ^①	SVX/SPX keypad	1	—	KEYPAD-LOC/REM	KEYPAD-LOC/REM
Main DC fan ^①	DC fan	2	—	PP00072	PP00072
	DC power supply	2	—	S01017	S01017

Notes

^① Factory recommended spare parts.

^② Select one part number based on the amperage rating of the drive. Please contact EatonCare at 877-ETN-CARE for assistance.

FR11 Spare Parts

Category	Description	Quantity/ Drive	230 V Catalog Number	480 V Catalog Number	575 V Catalog Number
Control	Fiber board	1	—	S00451	S00451
	ASIC board	1	—	S00457	S00457
Control fan	ASIC fan	1	—	PP01096	PP01096
Control module ①	SVX control module	1	—	CPBS0000000000	CPBS0000000000
	Standard slot A I/O card	1	—	OPTA9	OPTA9
	Standard slot B I/O card	1	—	OPTA2	OPTA2
Inverter	Power module ②	1	—	FR11-0590-4-ANV	FR11-0460-5-ANV
		1	—	FR11-0650-4-ANV	FR11-0502-5-ANV
		1	—	FR11-0730-4-ANV	FR11-0590-5-ANV
	Driver board	1	—	S00452	S00452
	Driver adapter board	1	—	VB00330	VB00330
	Shunt board ②	9	—	VB00513	VB00512
		9	—	VB00514	VB00546
		9	—	VB00538	VB00547
	Covers	Top cover	1	—	FR11345
DC section	Balancing resistor	3	—	PP13027	PP13027
	DC busbars kit (right)	3	—	S0000005	S0000005
	Bus capacitor	18	—	S00335	S00335
Converter	Rectifier module	1	—	FR10823	FR10823
	Diode	3	—	PP01177	PP01177
	Rectifier board	1	—	S00591	S00591
Keypad ①	SVX/SPX keypad	1	—	KEYPAD-LOC/REM	KEYPAD-LOC/REM
Main DC fan ①	DC fan	2	—	PP00072	PP00072
	DC power supply	2	—	S01017	S01017

Notes

① Factory recommended spare parts.

② Select one part number based on the amperage rating of the drive. Please contact EatonCare at 877-ETN-CARE for assistance.

FR12 Spare Parts

2

Category	Description	Quantity/ Drive	230 V Catalog Number	480 V Catalog Number	575 V Catalog Number
Control	Fiber board	2	—	S00451	S00451
	ASIC board	2	—	S00457	S00457
	Star coupler	1	—	S00593	S00593
Control fan	ASIC fan	2	—	PP01096	PP01096
Control module ^①	SVX control module	1	—	CPBS0000000000	CPBS0000000000
	Standard slot A I/O card	1	—	OPTA9	OPTA9
	Standard slot B I/O card	1	—	OPTA2	OPTA2
Inverter	Power module ^②	1	—	FR12-0820-4-ANV	FR12-0650-5-ANV
		1	—	FR12-0920-4-ANV	FR12-0750-5-ANV
		1	—	FR12-1030-4-ANV	FR12-0820-5-ANV
	Driver board	2	—	S00450	S00450
	Driver adapter board	2	—	VB00330	VB00330
	Shunt board	12	—	VB00498	VB00511
	Covers	Top cover	2	—	FR10340
Side cover		4	—	FR10341	FR10341
DC section	Balancing resistor	4	—	PP13027	PP13027
	DC busbars kit (right)	2	—	S0000005	S0000005
	Bus capacitor	24	—	S00335	S00336
Converter	Rectifier module	2	—	FR10823	FR10823
	Diode	3	—	PP01177	PP01177
	Rectifier board	2	—	S00591	S00591
Keypad ^①	SVX/SPX keypad	1	—	KEYPAD-LOC/REM	KEYPAD-LOC/REM
Main DC fan ^①	DC fan	4	—	PP00072	PP00072
	DC power supply	4	—	S01017	S01017

Notes

^① Factory recommended spare parts.

^② Select one part number based on the amperage rating of the drive. Please contact EatonCare at 877-ETN-CARE for assistance.

FR13 Spare Parts

Category	Description	Quantity/ Drive	230 V Catalog Number	480 V Catalog Number	575 V Catalog Number
Control	ASIC board	1	—	S00457	S00457
	ASIC assembly	1	—	60S01030	60S01030
Control fan	ASIC fan	1	—	PP01096	PP01096
Control module ①	SVX control module	1	—	CPBS0000000000	CPBS0000000000
	Standard slot A I/O card	1	—	OPTA9	OPTA9
	Standard slot B I/O card	1	—	OPTA2	OPTA2
Inverter	Power module ②	3	—	FI13-1150-4-ANV	FR13-1030-5-ANV
		3	—	FI13-1300-4-ANV	FR13-1180-5-ANV
		3	—	FI13-1450-4-ANV	FR13-920-5-ANV
	Driver board	3	—	S00454	S00454
	Driver adapter board	2	—	VB00330	VB00330
	Shunt board ②	18	—	VB00505	VB00516
		18	—	VB00514	VB00517
18		—	VB00541	VB00547	
Covers	Top cover	3	—	FI10001	FI10001
	Side cover	3	—	FI10003	FI10003
DC section	Balancing resistor	6	—	PP13034	PP13034
	Bus capacitor	36	—	S00335	S00336
	DC busbars kit	3	—	FI13329	FI13329
Converter	Rectifier module	2	—	FR10823	FR10823
	Diode	3	—	PP01177	PP01177
	Rectifier board	2	—	S00591	S00591
Keypad ①	SVX/SPX keypad	1	—	KEYPAD-LOC/REM	KEYPAD-LOC/REM
Main DC fan ①	DC fan	4	—	PP00072	PP00072
	DC power supply	4	—	S01017	S01017

Notes

① Factory recommended spare parts.

② Select one part number based on the amperage rating of the drive. Please contact EatonCare at 877-ETN-CARE for assistance.

FR14 Spare Parts

2

Category	Description	Quantity/ Drive	230 V Catalog Number	480 V Catalog Number	575 V Catalog Number
Control	ASIC board	2	—	S00457	S00457
	Star coupler	1	—	S00593	S00593
	ASIC assembly	2	—	60S01030	60S01030
	Star coupler kit	1	—	FR10860	FR10860
Control fan	ASIC fan	2	—	PP01096	PP01096
Control module ^①	SVX control module	1	—	CPBS0000000000	CPBS0000000000
	Standard slot A I/O card	1	—	OPTA9	OPTA9
	Standard slot B I/O card	1	—	OPTA2	OPTA2
Inverter	Power module ^②	1	—	FR14-1770-4-ANV	FR14-1500-5-ANV
		1	—	FR14-2150-4-ANV	FR14-1900-5-ANV
		1	—	FR14-2700-4-ANV	FR14-2250-5-ANV
	Driver board	6	—	S00454	S00454
	Driver adapter board	2	—	VB00330	VB00330
	Shunt board ^②	36	—	VB00541	VB00516
		36	—	—	VB00517
Covers	Top cover	6	—	FI10001	FI10001
	Side cover	6	—	FI10003	FI10003
DC section	Balancing resistor	6	—	PP13034	PP13034
	Bus capacitor	72	—	S00335	S00336
	DC busbars kit	6	—	FI13329	FI13329
Converter	Rectifier module	2	—	FR10823	FR10823
	Diode	3	—	PP01177	PP01177
	Rectifier board	2	—	S00591	S00591
Keypad ^①	SVX/SPX keypad	1	—	KEYPAD-LOC/REM	KEYPAD-LOC/REM
Main DC fan ^①	DC fan	6	—	PP00072	PP00072
	DC power supply	6	—	S01017	S01017

Notes

^① Factory recommended spare parts.

^② Select one part number based on the amperage rating of the drive. Please contact EatonCare at 877-ETN-CARE for assistance.

Technical Data and Specifications

SVX Drives

Description	Specification
Input Ratings	
Input voltage (V_{in})	+10%/–15%
Input frequency (f_{in})	50/60 Hz (variation up to 45–66 Hz)
Connection to power	Once per minute or less (typical operation)
High withstand rating	100 kAIC
Output Ratings	
Output voltage	0 to V_{in}
Continuous output current	I_H rated 100% at 122 °F (50 °C), FR9 and below I_L rated 100% at 104 °F (40 °C), FR9 and below I_H/I_L 100% at 104 °F (40 °C), FR10 and above
Overload current (I_H/I_L)	150% I_H , 110% I_L for 1 min.
Output frequency	0 to 320 Hz
Frequency resolution	0.01 Hz
Initial output current (I_H)	250% for 2 seconds
Efficiency	>96%
Control Characteristics	
Control method	Frequency control (V/f) Open loop: Sensorless vector control Closed loop: SPX drives only
Switching frequency	Adjustable with parameter 2.6.9
Frame 4–6	1–16 kHz; default 10 kHz
Frame 7–12	1–10 kHz; default 3.6 kHz
Frequency reference	Analog input: Resolution 0.1% (10-bit), accuracy $\pm 1\%$ V/Hz Panel reference: Resolution 0.01 Hz
Field weakening point	30–320 Hz
Acceleration time	0–3000 sec.
Deceleration time	0–3000 sec.
Braking torque	DC brake: 30% $\times T_n$ (without brake option)
Ambient Conditions	
Ambient operating temperature	14 °F (–10 °C), no frost to 122 °F (50 °C) I_H (FR4–FR9) 14 °F (–10 °C), no frost to 104 °F (40 °C) I_H (FR10 and up) 14 °F (–10 °C), no frost to 104 °F (40 °C) I_L (all frames)
Storage temperature	–40° to 158 °F (–40° to 70 °C)
Relative humidity	0 to 95% RH, noncondensing, non-corrosive, no dripping water
Air quality	Chemical vapors: IEC 721-3-3, unit in operation, class 3C2; Mechanical particles: IEC 721-3-3, unit in operation, class 3S2
Altitude	100% load capacity (no derating) up to 3280 ft (1000 m); 1% derating for each 328 ft (100 m) above 3280 ft (1000 m); max. 9842 ft (3000 m)
Vibration	EN 50178, EN 60068-2-6; 5 to 50 Hz, displacement amplitude 1 mm (peak) at 3 to 15.8 Hz, max. acceleration amplitude 1G at 15.8 to 150 Hz
Shock	EN 50178, EN 60068-2-27 UPS Drop test (for applicable UPS weights) Storage and shipping: max. 15 g, 11 ms (in package)
Enclosure class	NEMA 1/IP21 or NEMA 12/IP54, open chassis/IP20

Description	Specification
Control Connections	
Analog input voltage	0 to 10 V, $R = 200$ kohms (–10 to 10 V joystick control) resolution 0.1%; accuracy $\pm 1\%$
Analog input current	0(4) to 20 mA; $R_i = 250$ ohms differential
Digital inputs (6)	Positive or negative logic; 18 to 30 Vdc
Auxiliary voltage	+24 V $\pm 15\%$, max. 250 mA
Output reference voltage	+10 V +3%, max. load 10 mA
Analog output	0(4) to 20 mA; R_i max. 500 ohms; resolution 10 bit; accuracy $\pm 2\%$
Digital outputs	Open collector output, 50 mA/48V
Relay outputs	Two programmable Form C relay outputs switching capacity: 24 Vdc/8 A, 250 Vac/8 A, 125 Vdc/0.4 A
Protections	
Overcurrent protection	Trip limit 4.0 $\times I_H$ instantaneously
Overvoltage protection	Yes
Undervoltage protection	Yes
Earth fault protection	In case of earth fault in motor or motor cable, only the frequency converter is protected
Input phase supervision	Trips if any of the input phases are missing
Motor phase supervision	Trips if any of the output phases are missing
Overtemperature protection	Yes
Motor overload protection	Yes
Motor stall protection	Yes
Motor underload protection	Yes
Short-circuit protection	Yes (+24 V and +10 V reference voltages)

Standard I/O Specifications

Description	Specification
Six–digital input programmable	24 V: "0" ≤ 10 V, "1" ≥ 18 V, $R_i > 5$ kohms
Two–analog input configurable w/jumpers	Voltage: 0– ± 10 V, $R_i > 200$ kohms Current: 0 (4)–20 mA, $R_i = 250$ ohms
Two–digital output programmable	Form C relays 250 Vac 30 Vdc 2 amp resistive
One–analog output programmable configurable w/jumper	0–20 mA, R_i max. 500 ohms 10 bits $\pm 2\%$
One digital output programmable	Open collector 48 Vdc 50 mA

2.7

Adjustable Frequency Drives

SVX Drives

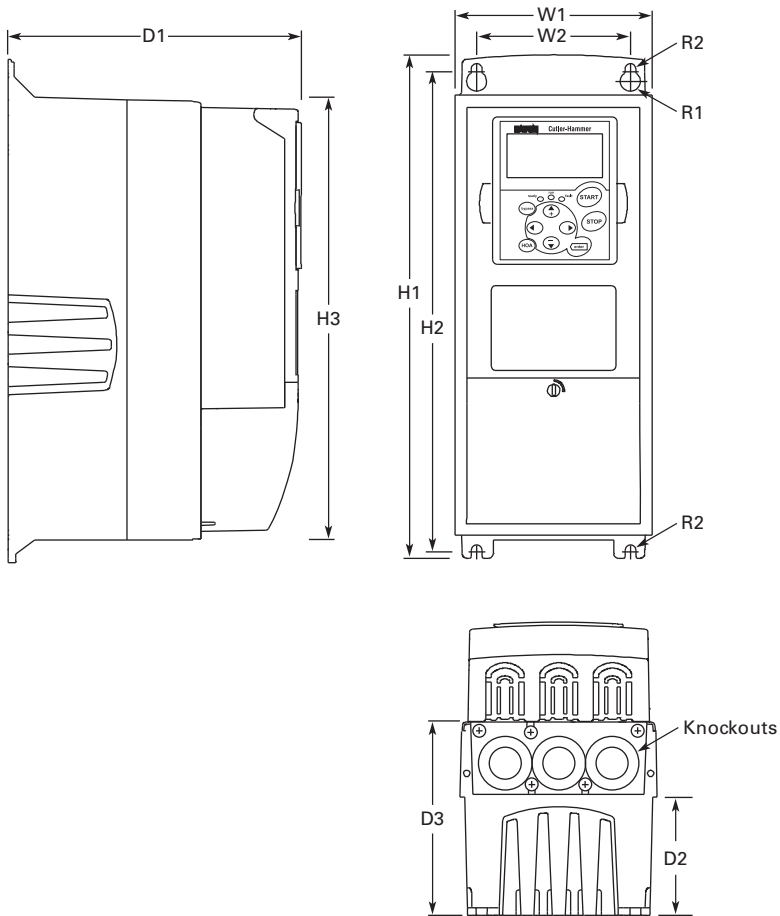
Dimensions

Approximate Dimensions in Inches (mm)

2

9000X Open Drives

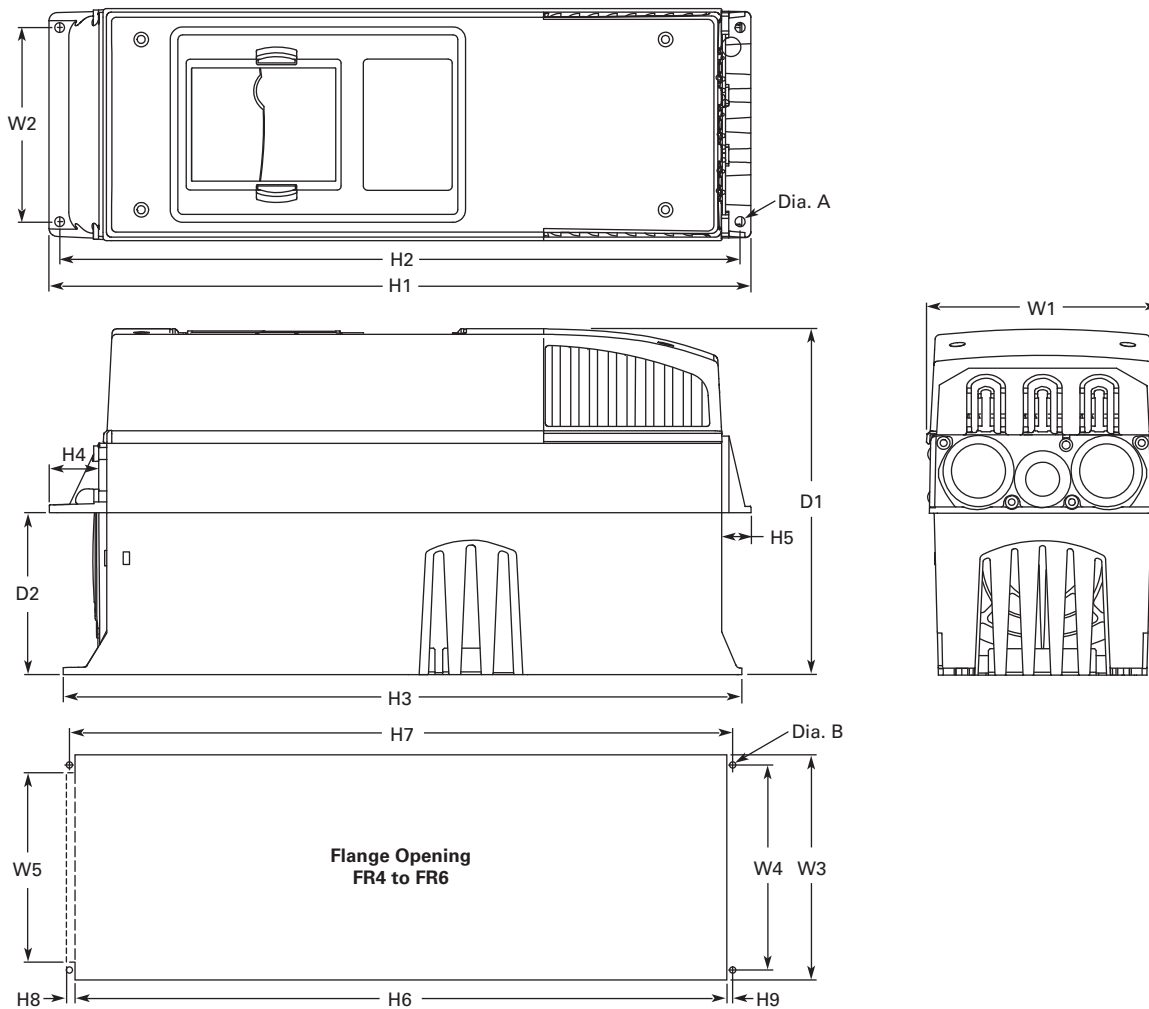
NEMA Type 1/IP21 and NEMA Type 12/IP54, FR4, FR5 and FR6



Voltage	hp (I _H)	H1	H2	H3	D1	D2	D3	W1	W2	R1 Dia.	R2 Dia.	Weight Lbs (kg)	Knockouts at Inches (mm) N1 (O.D.)
FR4													
230 V	3/4–3	12.9	12.3	11.5	7.5	3.0	4.9	5.0	3.9	0.5 (13)	0.3 (7)	11.0 (5)	3 @ 1.1 (28)
480 V	1–5	(327)	(313)	(292)	(190)	(77)	(126)	(128)	(100)				
FR5													
230 V	5–7-1/2	16.5	16.0	15.3	8.4	3.9	5.8	5.6	3.9	0.5 (13)	0.3 (7)	17.9 (8)	2 @ 1.5 (37)
480 V	7-1/2–15	(419)	(406)	(389)	(214)	(100)	(148)	(143)	(100)				1 @ 1.1 (28)
FR6													
230 V	10–15	22.0	21.3	20.4	9.3	4.2	6.5	7.6	5.8	0.6 (15.5)	0.4 (9)	40.8 (19)	3 @ 1.5 (37)
480 V	20–30	(558)	(541)	(519)	(237)	(105)	(165)	(195)	(148)				
575 V	2–25												

Approximate Dimensions in Inches (mm)

NEMA Type 1/IP21 and NEMA Type 12/IP54 with Flange Kit, FR4, FR5 and FR6



FR4, FR5 and FR6 with Flange Kit

W1	W2	H1	H2	H3	H4	H5	D1	D2	Dia. A
FR4									
5.0 (128)	4.5 (113)	13.3 (337)	12.8 (325)	12.9 (327)	1.2 (30)	0.9 (22)	7.5 (190)	3.0 (77)	0.3 (7)
FR5									
5.6 (143)	4.7 (120)	17.0 (434)	16.5 (420)	16.5 (419)	1.4 (36)	0.7 (18)	8.4 (214)	3.9 (100)	0.3 (7)
FR6									
7.7 (195)	6.7 (170)	22.0 (560)	21.6 (549)	22.0 (558)	1.2 (30)	0.8 (20)	9.3 (237)	4.2 (106)	0.3 (7)

Flange Opening, FR4 to FR6

W3	W4	W5	H6	H7	H8	H9	Dia. B
FR4							
4.8 (123)	4.5 (113)	—	12.4 (315)	12.8 (325)	—	0.2 (5)	0.3 (7)
FR5							
5.3 (135)	4.7 (120)	—	16.2 (410)	16.5 (420)	—	0.2 (5)	0.3 (7)
FR6							
7.3 (185)	6.7 (170)	6.2 (157)	21.2 (539)	21.6 (549)	0.3 (7)	0.2 (5)	0.3 (7)

2.7

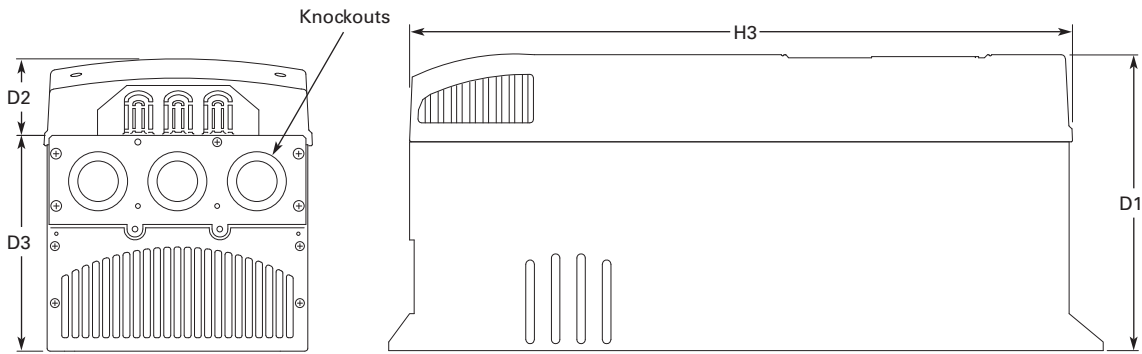
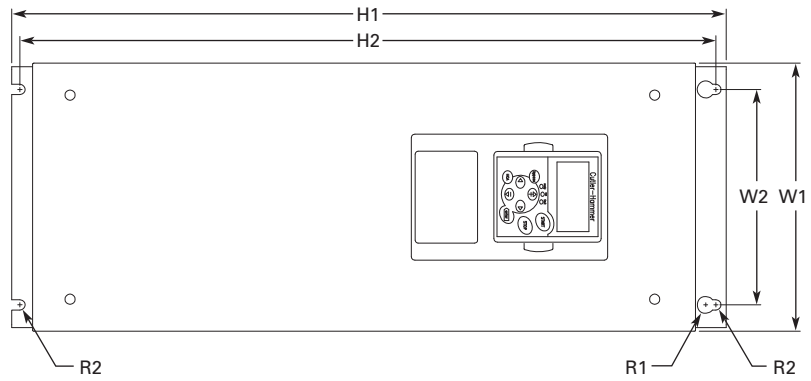
Adjustable Frequency Drives

SVX Drives

Approximate Dimensions in Inches (mm)

NEMA Type 1/IP21 and NEMA Type 12/IP54, FR7

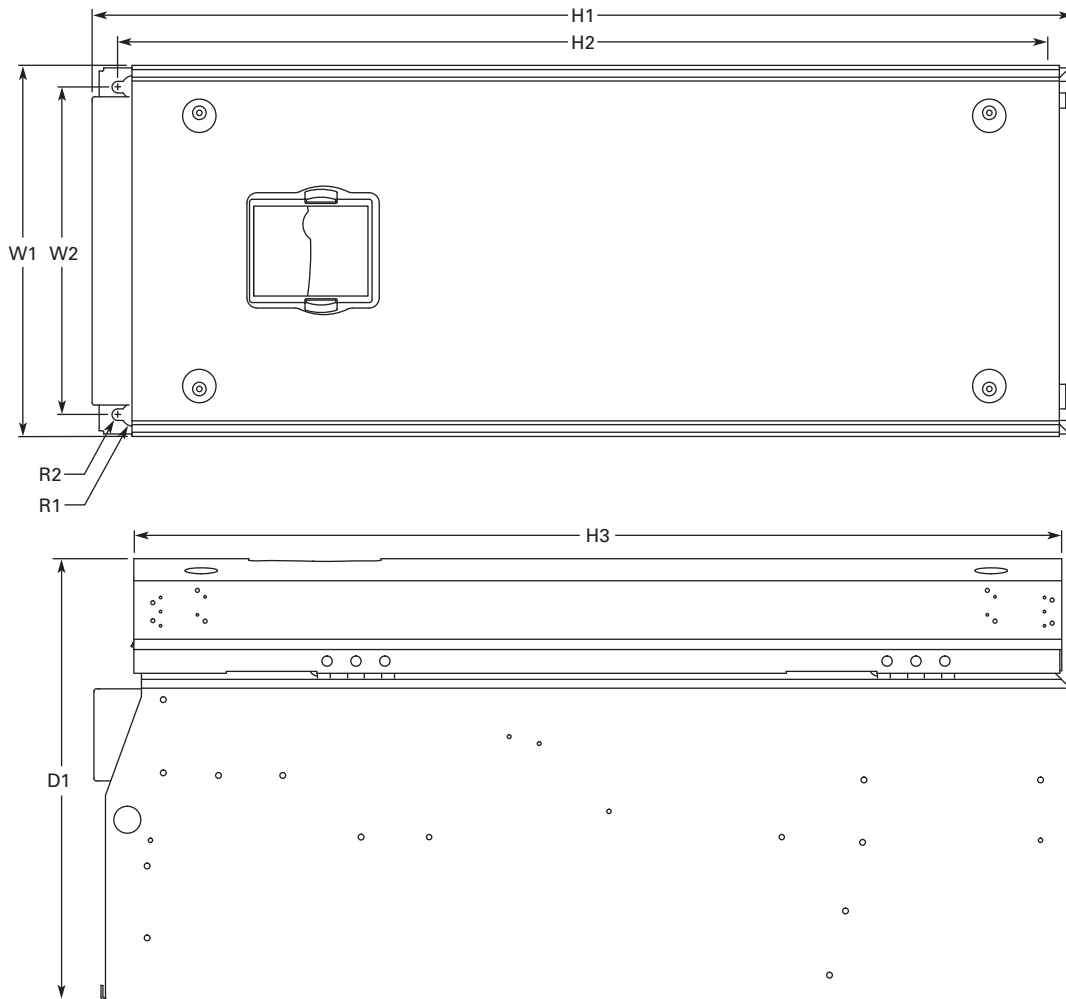
2



Voltage	hp (I _H)	H1	H2	H3	D1	D2	D3	W1	W2	R1 Dia.	R2 Dia.	Weight Lbs (kg)	Knockouts at Inches (mm) N1 (O.D.)
230 V	20–30	24.8 (630)	24.2 (614)	23.2 (590)	10.1 (257)	3.0 (77)	7.3 (184)	9.3 (237)	7.5 (190)	0.7 (18)	0.4 (9)	77.2 (35)	3 at 1.5 (37)
480 V	40–60												
575 V	30–40												

Approximate Dimensions in Inches (mm)

NEMA Type 1/IP21 and NEMA Type 12/IP54, FR8



Voltage	hp (I _H)	D1	H1	H2	H3	W1	W2	R1 Dia.	R2 Dia.	Weight Lbs (kg)
230 V	40–60	13.5 (344)	30.1 (764)	28.8 (732)	28.4 (721)	11.5 (291)	10 (255)	0.7 (18)	0.4 (9)	127 (58)
480 V	75–125									
575 V	50–75									

2.7

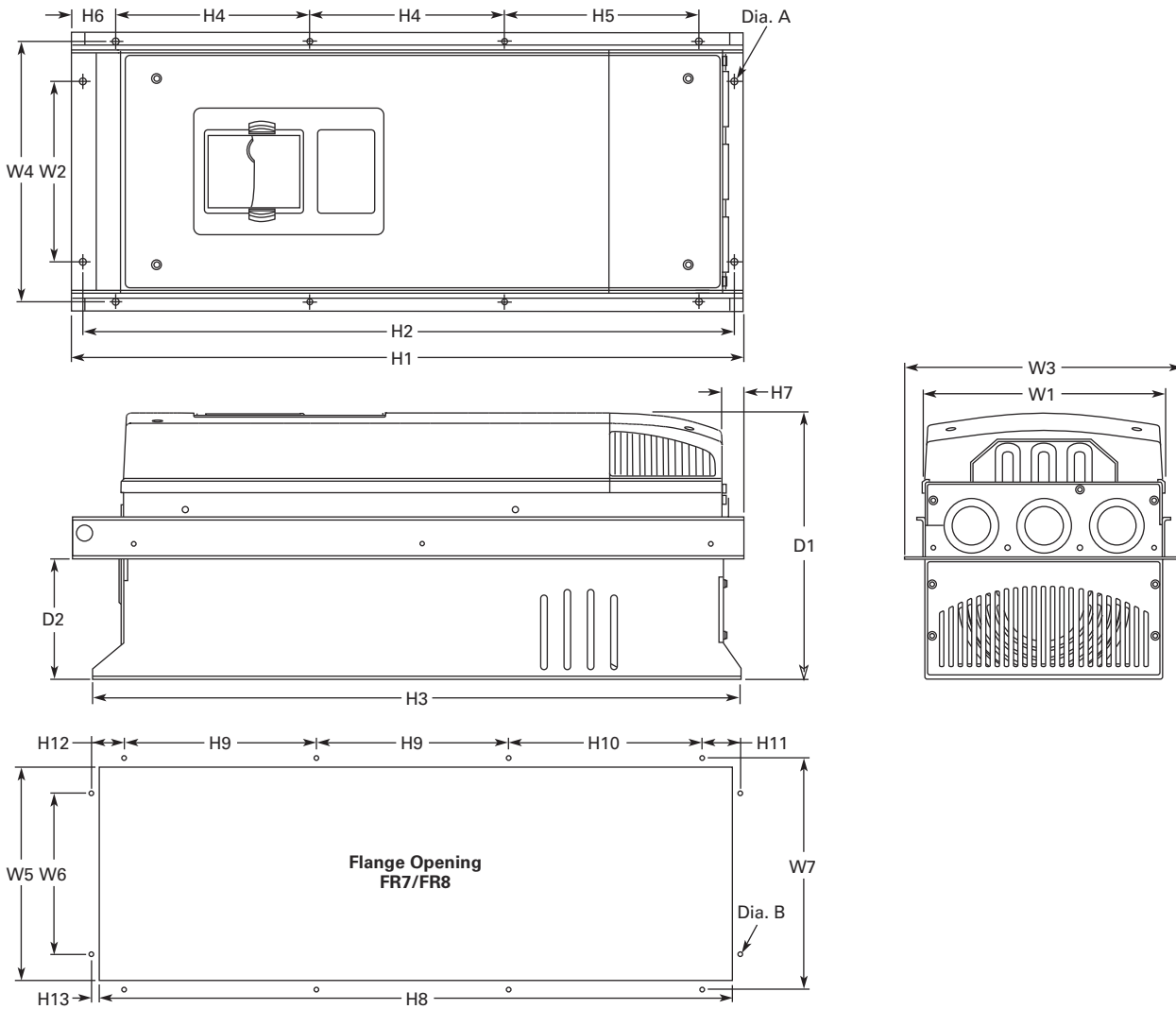
Adjustable Frequency Drives

SVX Drives

Approximate Dimensions in Inches (mm)

NEMA Type 1/IP21 and NEMA Type 12/IP54, with Flange Kit, FR7 and FR8

2



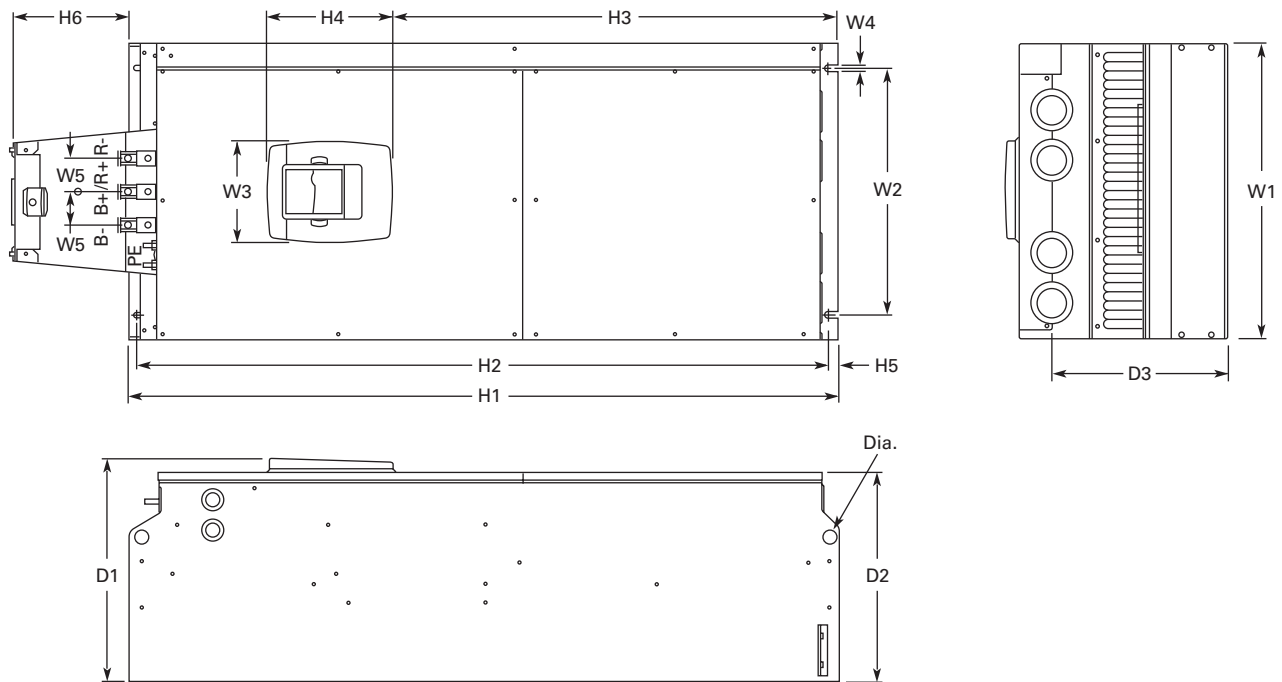
W1	W2	W3	W4	H1	H2	H3	H4	H5	H6	H7	D1	D2	Dia. A
FR7													
9.3 (237)	6.8 (175)	10.6 (270)	10.0 (253)	24.9 (652)	24.8 (632)	24.8 (630)	7.4 (189)	7.4 (189)	0.9 (23)	0.8 (20)	10.1 (257)	4.6 (117)	0.3 (6)
FR8													
11.2 (285)	—	14.0 (355)	13.0 (330)	32.8 (832)	—	29.3 (745)	10.2 (258)	10.4 (265)	1.7 (43)	2.2 (57)	13.5 (344)	4.3 (110)	0.4 (9)

Flange Opening, FR7 and FR8

W5	W6	W7	H8	H9	H10	H11	H12	H13	Dia. B
FR7									
9.2 (233)	6.9 (175)	10.0 (253)	24.4 (619)	7.4 (189)	7.4 (189)	1.4 (35)	1.3 (32)	1.0 (25)	0.3 (6)
FR8									
11.9 (301)	—	13.0 (330)	31.9 (810)	10.2 (258)	10.4 (265)	—	—	1.3 (33)	0.4 (9)

Approximate Dimensions in Inches (mm)

NEMA Type 1/IP21 and NEMA Type 12/IP54 FR9



Voltage	hp (I _H)	W1	W2	W3	W4	H1	H2	H3	H4 ^①	D1	D2	D3	Dia.	Weight Lbs (kg)
230 V	75–100	18.9 (480)	15.7 (400)	0.4 (9)	2.1 (54)	45.3 (1150)	44.1 (1120)	0.6 (16)	7.4 (188)	14.2 (361.5)	13.4 (340)	11.2 (285)	0.8 (21)	321.9 (146)
480 V	150–200													
575 V	100–175													

Note

① Brake resistor terminal box (H6) included when brake chopper ordered.

2.7

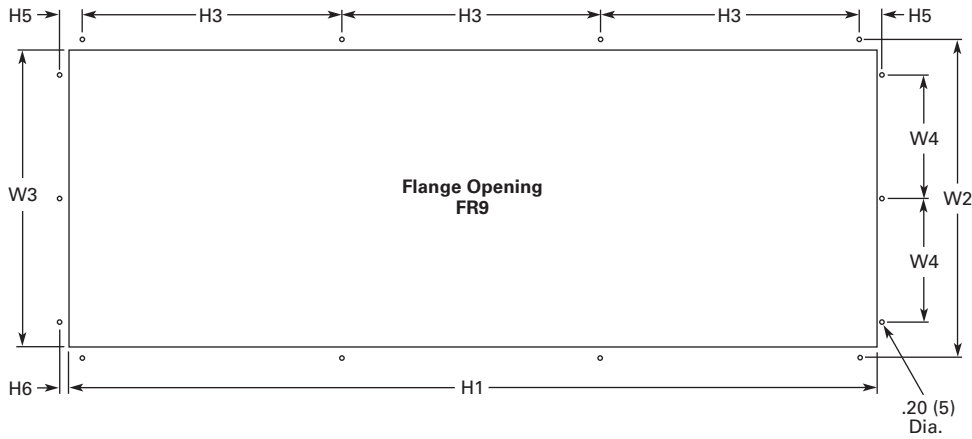
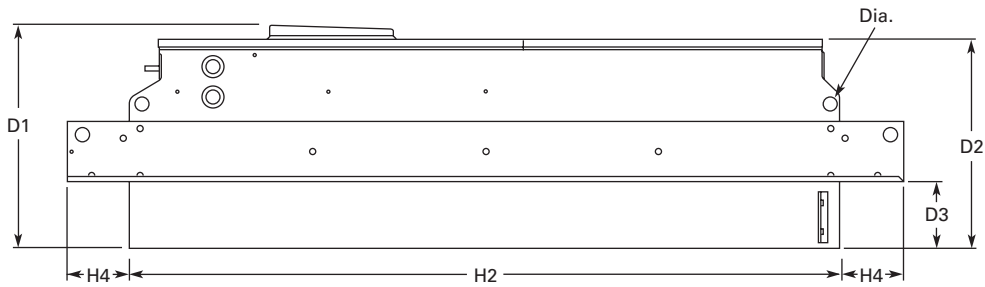
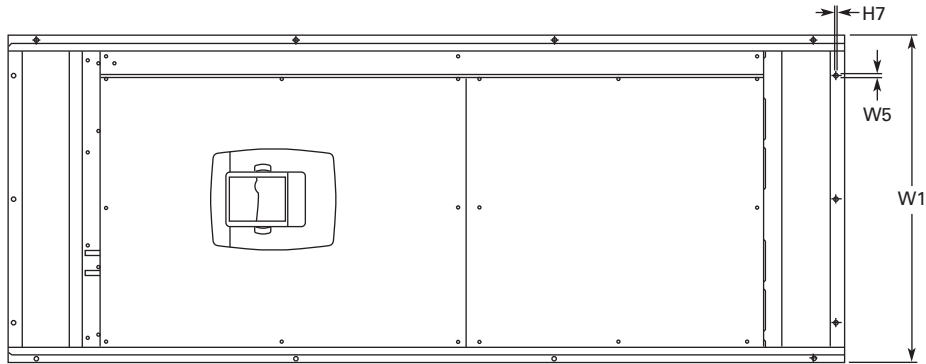
Adjustable Frequency Drives

SVX Drives

Approximate Dimensions in Inches (mm)

NEMA Type 1/IP21 and NEMA Type 12/IP54, FR9 with Flange Kit

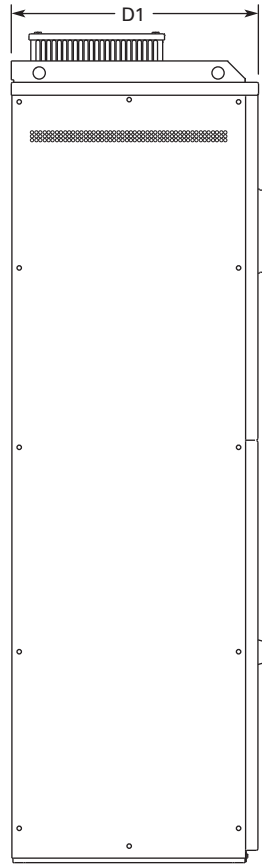
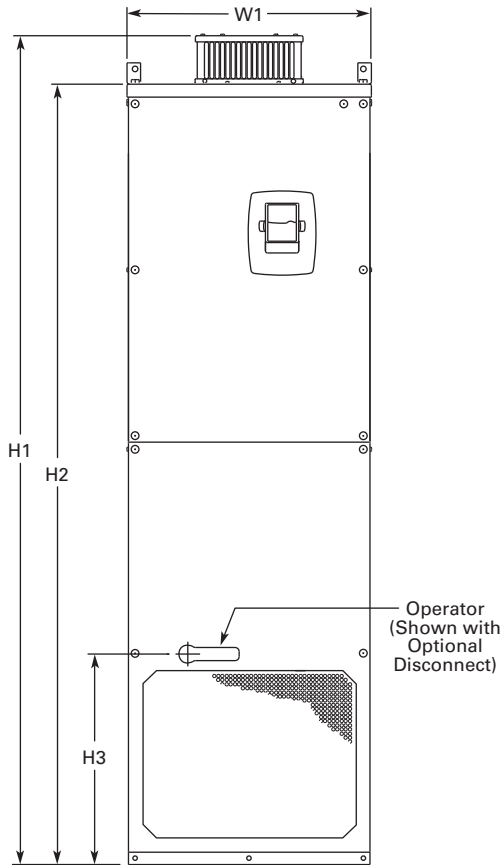
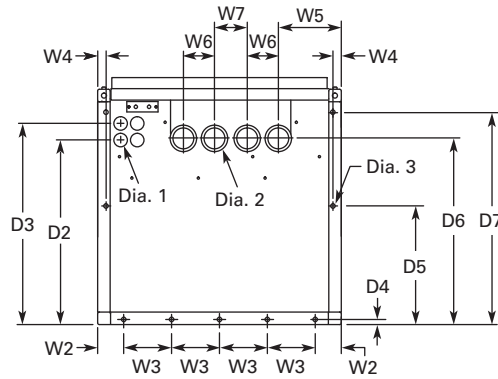
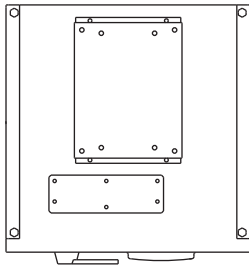
2



W1	W2	W3	W4	W5	H1	H2	H3	H4	H5	H6	H7	D1	D2	D3	Dia.
20.9 (530)	20.0 (510)	19.1 (485)	7.9 (200)	0.2 (5.5)	51.7 (1312)	45.3 (1150)	16.5 (420)	3.9 (100)	1.4 (35)	0.4 (9)	0.1 (2)	24.9 (362)	13.4 (340)	4.3 (109)	0.8 (21)

Approximate Dimensions in Inches (mm)

NEMA Type 1/IP21 and NEMA Type 12/IP54, FR10 Freestanding



W1	W2	W3	W4	W5	W6	W7	H1	H2	H3	D1	D2	D3	D4	D5	D6	D7	Dia. 1	Dia. 2	Dia. 3	Weight Lbs (kg)
23.43 (595)	2.46 (62.5)	4.53 (115)	0.79 (20)	5.95 (151)	2.95 (75)	30.11 (79)	79.45 (2018)	74.80 (1900)	20.18 (512.5)	23.70 (602)	17.44 (443)	19.02 (483)	0.47 (12)	11.22 (285)	17.60 (447)	20.08 (510)	0.83 (21)	1.89 (48)	0.43 (11)	857 (389)

2.7

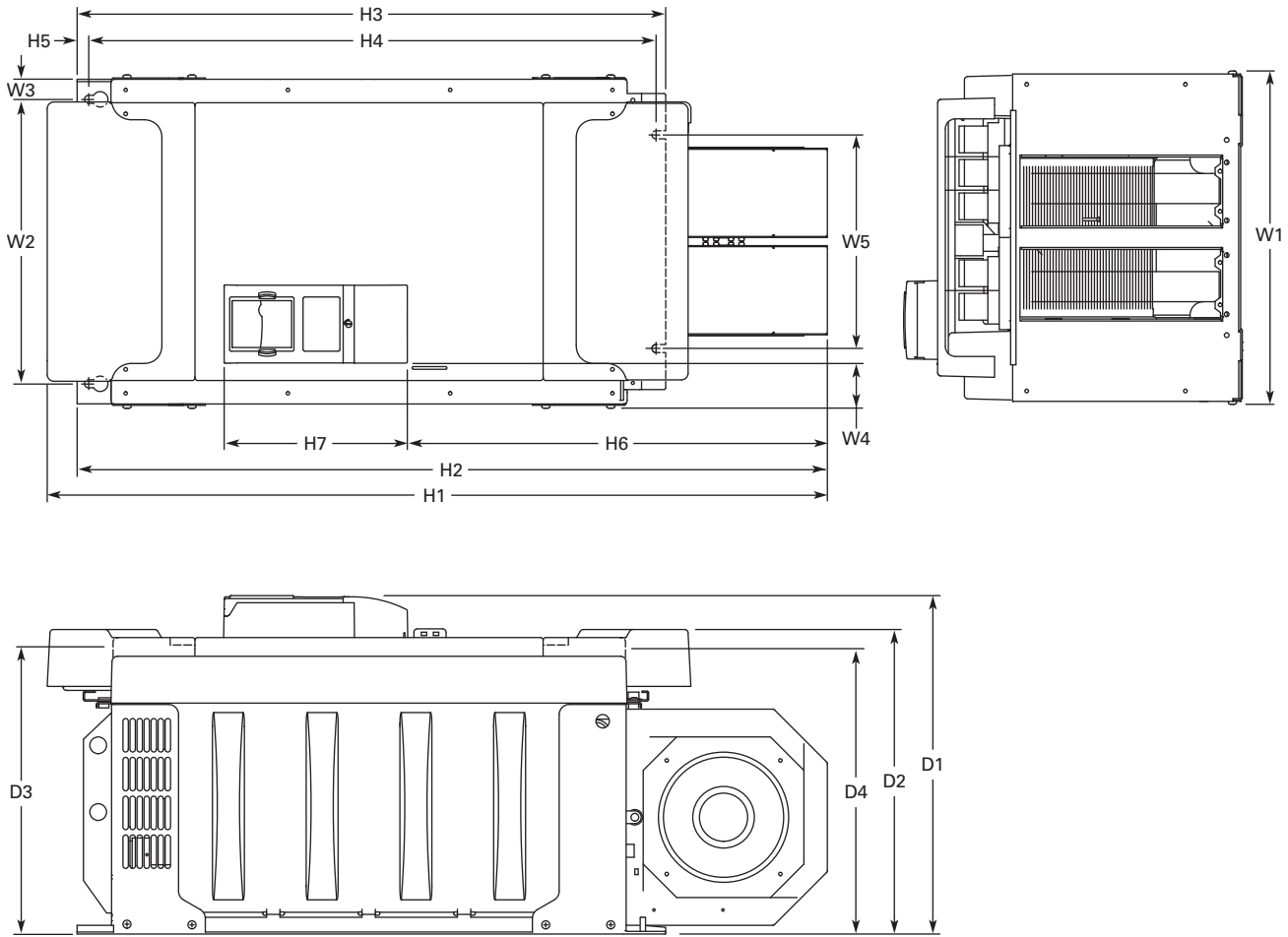
Adjustable Frequency Drives

SVX Drives

Approximate Dimensions in Inches (mm)

FR10 Open Chassis ①

2



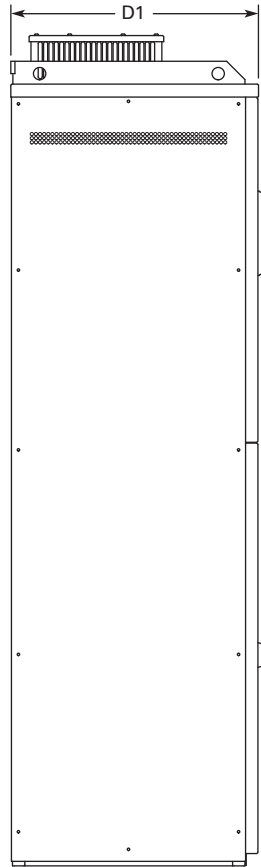
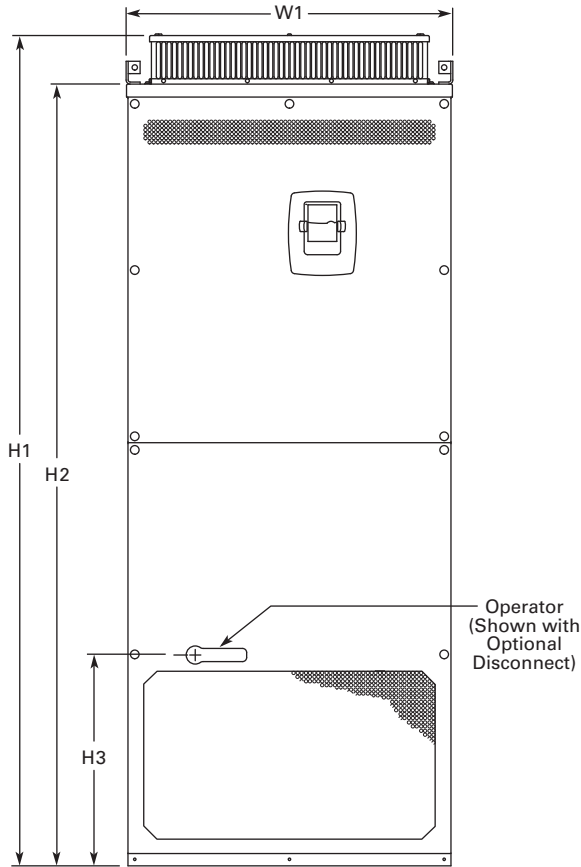
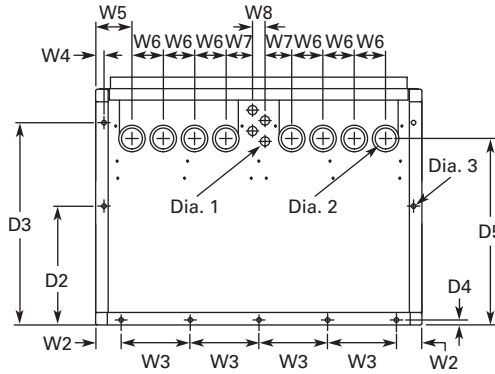
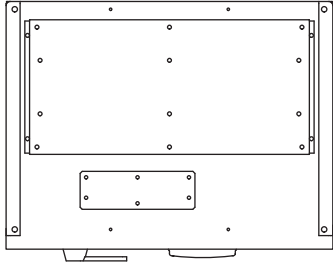
Voltage	hp (I _H)	W1	W2	W3	W4	W5	H1	H2	H3	H4	H5	H6	H7	D1	D2	D3	D4	Weight Lbs (kg)
480 V	250–350	19.7 (500)	16.7 (425)	1.2 (30)	2.6 (67)	12.8 (325)	45.9 (1165)	44.1 (1121)	34.6 (879)	33.5 (850)	0.7 (17)	24.7 (627)	10.8 (275)	19.9 (506)	17.9 (455)	16.7 (423)	16.6 (421)	518 (235)
575 V	200–300																	

Note

① 9000X FR12 is built of two FR10 modules. Please refer to SPX installation manual for mounting instructions.

Approximate Dimensions in Inches (mm)

NEMA Type 1/IP21, FR11 Freestanding Drive



Voltage	hp (I _H)	W1	W2	W3	W4	W5	W6	W7	W8	H1	H2	H3	D1	D2	D3	D4	D5	Dia. 1	Dia. 2	Dia. 3	Weight Lbs (kg)
480	400-550	31.26 (794)	2.40 (61)	6.50 (165)	0.79 (20)	3.43 (87)	2.95 (75)	2.52 (64)	1.18 (30)	79.45 (2018)	74.80 (1900)	20.18 (512.5)	23.70 (602)	11.22 (285)	19.09 (485)	0.47 (12)	17.60 (447)	0.83 (21)	1.89 (48)	0.35 x 0.43 (9 x 11)	526 (239)

2.7

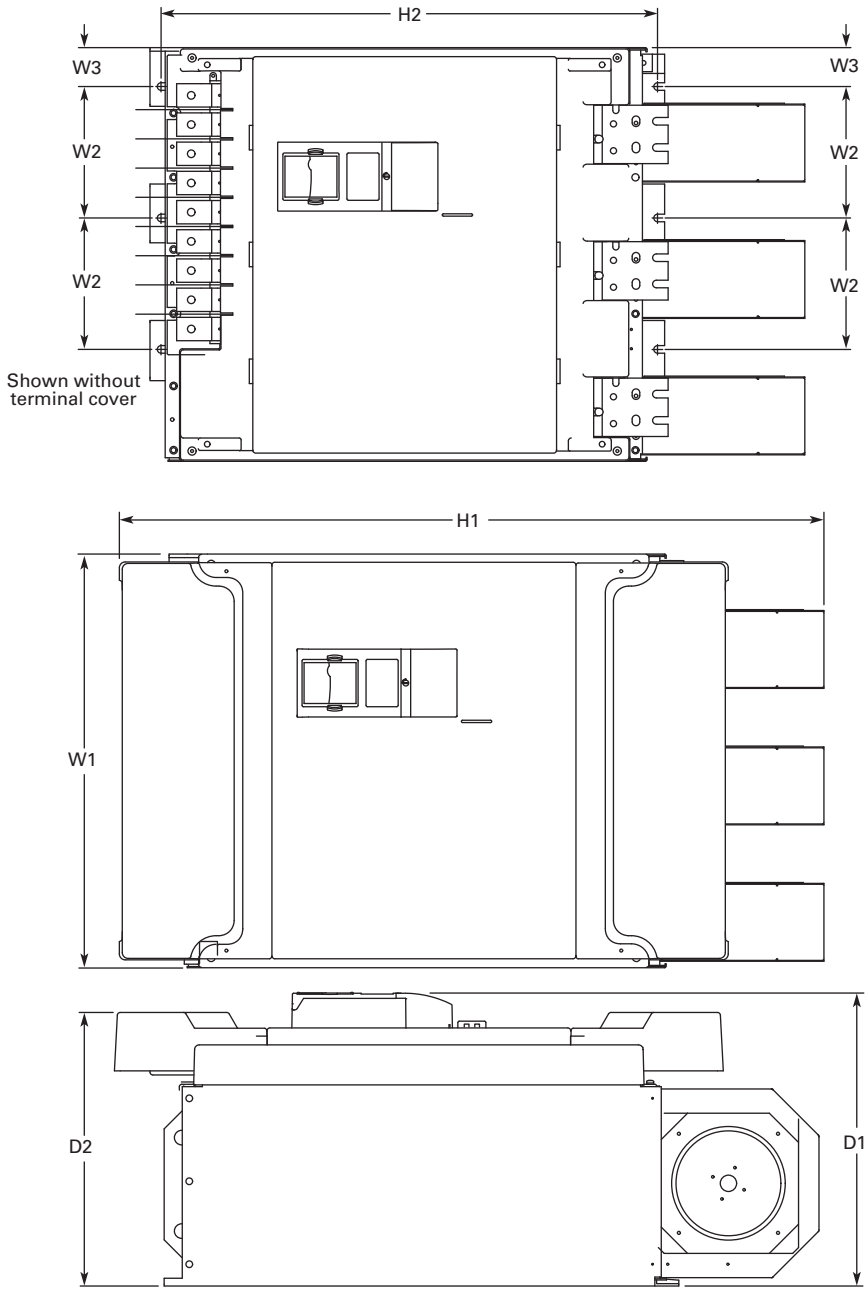
Adjustable Frequency Drives

SVX Drives

Approximate Dimensions in Inches (mm)

FR11 Open Chassis

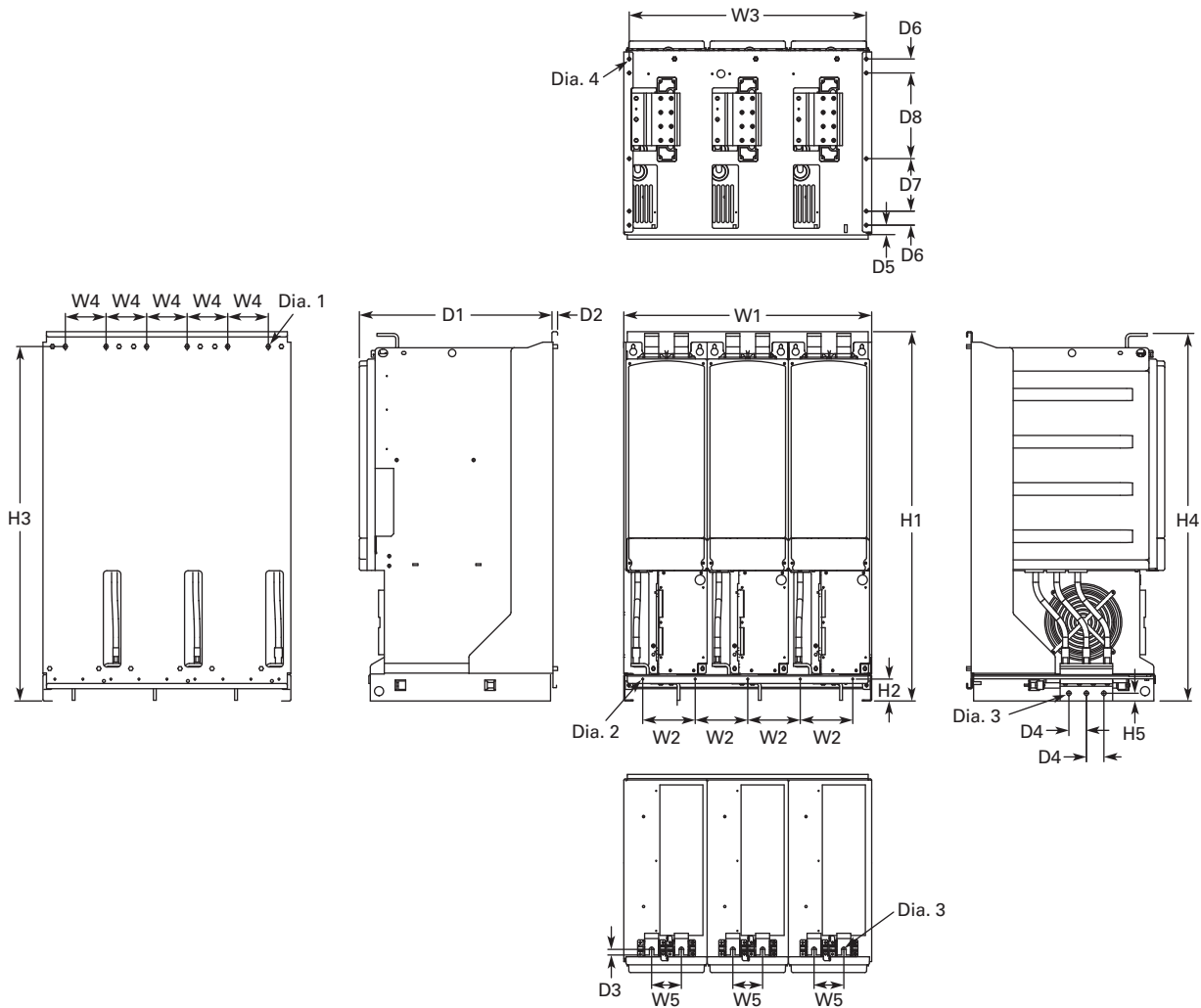
2



Voltage	hp (I _H)	W1	W2	W3	H1	H2	D1	D2	Weight Lbs (kg)
480 V	400–550	27.9 (709)	8.86 (225)	2.6 (67)	45.5 (1155)	33.5 (850)	19.8 (503)	18.4 (468)	833 (378)
575 V	400–500								

Approximate Dimensions in Inches (mm)

FR13, Open Chassis Inverter



W1	W2	W3	W4	W5	H1	H2	H3	H4	H5	D1	D2	D3	D4	D5	D6	D7	D8	Dia. 1	Dia. 2	Dia. 3	Dia. 4	Weight Lbs (kg)
27.87	5.91	26.65	4.57	3.35	41.54	2.46	39.86	41.34	0.79	21.77	0.51	0.63	1.97	1.06	1.57	5.91	9.64	0.35x0.59	0.18	0.51	0.37	683
(708)	(150)	(677)	(116)	(85)	(1055)	(62.5)	(1012.5)	(1050)	(20)	(553)	(13)	(16)	(50)	(27)	(40)	(150)	(244.8)	(9x15)	(4.6)	(13)	(9.5)	(310)

Notes

9000X FR14 is built of two FR13 modules. Please refer to SPX installation manual for mounting instructions.
 FR13 is built from an inverter module and a converter module. Please refer to SPX installation manual for mounting instructions.

2.7

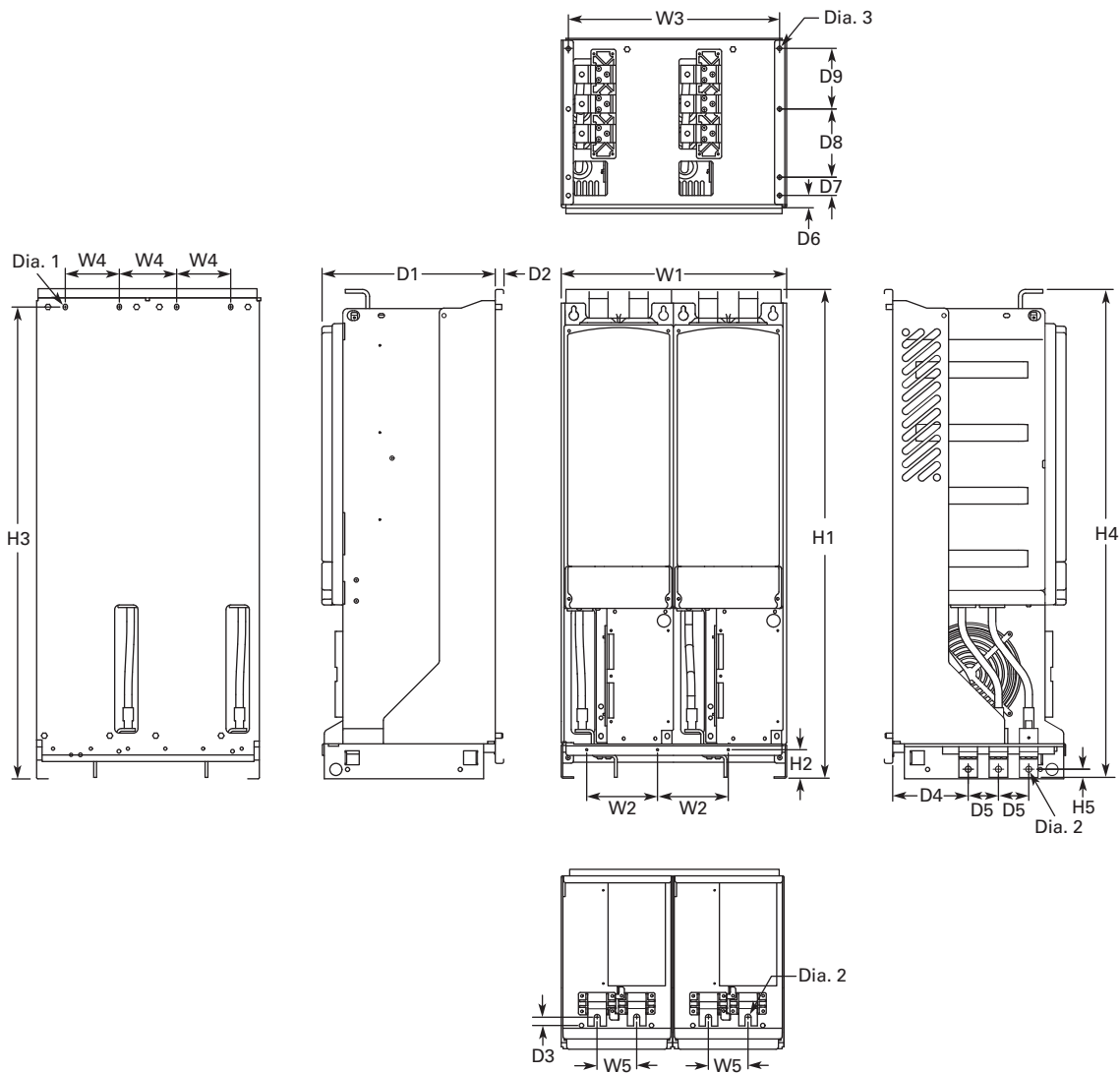
Adjustable Frequency Drives

SVX Drives

Approximate Dimensions in Inches (mm)

FR13, Open Chassis Converter

2



W1	W2	W3	W4	W5	H1	H2	H3	H4	H5	D1	D2	D3	D4	D5	D6	D7	D8	D9	Dia. 1	Dia. 2	Dia. 3	Weight Lbs (kg)
18.74 (476)	5.91 (150)	17.52 (445)	4.57 (116)	3.35 (85)	41.54 (1055)	2.46 (62.5)	39.86 (1012.5)	41.34 (1050)	0.69 (17.5)	14.69 (373)	0.51 (13)	0.73 (18.5)	6.42 (163)	2.56 (65)	1.06 (27)	1.57 (40)	5.91 (150)	5.24 (133)	0.35x0.59 (9x15)	0.51 (13)	0.37 (9.5)	295 (134)

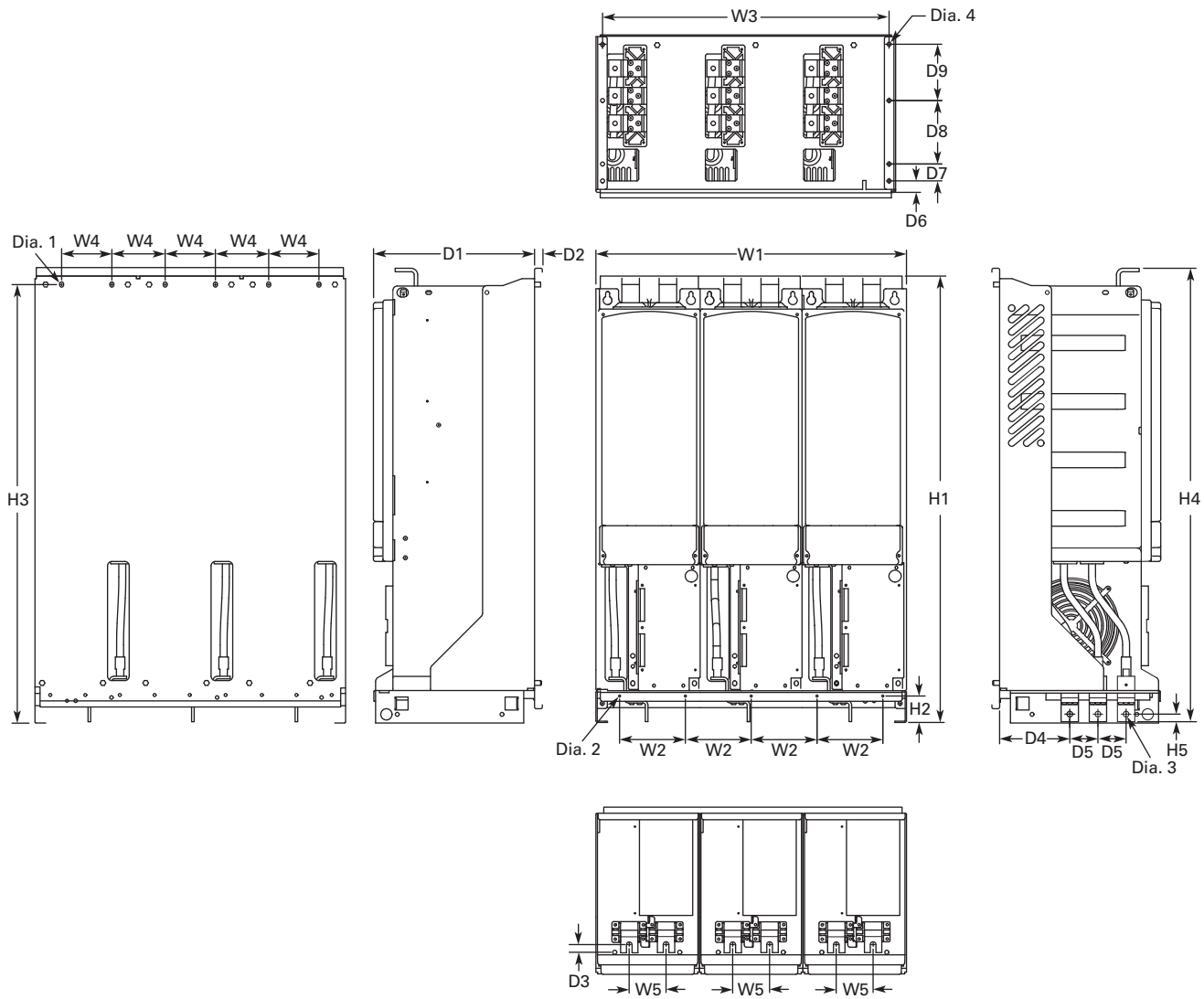
Number of Input Units

480 V Catalog Number	hp	Input Modules
SPX800A0-4A2N1	800	2

690 V Catalog Number	hp	Input Modules
SPX800A0-5A2N1	800	2
SPX900A0-5A2N1	900	2
SPXH10A0-5A2N1	1000	2

Approximate Dimensions in Inches (mm)

FR13, Open Chassis Converter—900/1000 hp 480 V



W1	W2	W3	W4	W5	H1	H2	H3	H4	H5	D1	D2	D3	D4	D5	D6	D7	D8	D9	Dia. 1	Dia. 2	Dia. 3	Dia. 4	Weight Lbs (kg)
27.87	5.91	26.65	4.57	3.35	41.54	2.46	39.86	41.34	0.69	14.69	0.51	0.73	6.42	2.56	1.06	1.57	5.91	5.24	0.35x0.59	0.18	0.51	0.37	443
(708)	(150)	(677)	(116)	(85)	(1055)	(62.5)	(1012.5)	(1050)	(17.5)	(373)	(13)	(18.5)	(163)	(65)	(27)	(40)	(150)	(133)	(9x15)	(4.6)	(13)	(9.5)	(201)

Number of Input Units

480 V Catalog Number	hp	Input Modules
SPX900A0-4A2N1	900	3
SPXH10A0-4A2N1	1000	3

2.7

Adjustable Frequency Drives

SVX Drives

Approximate Dimensions in Inches (mm)

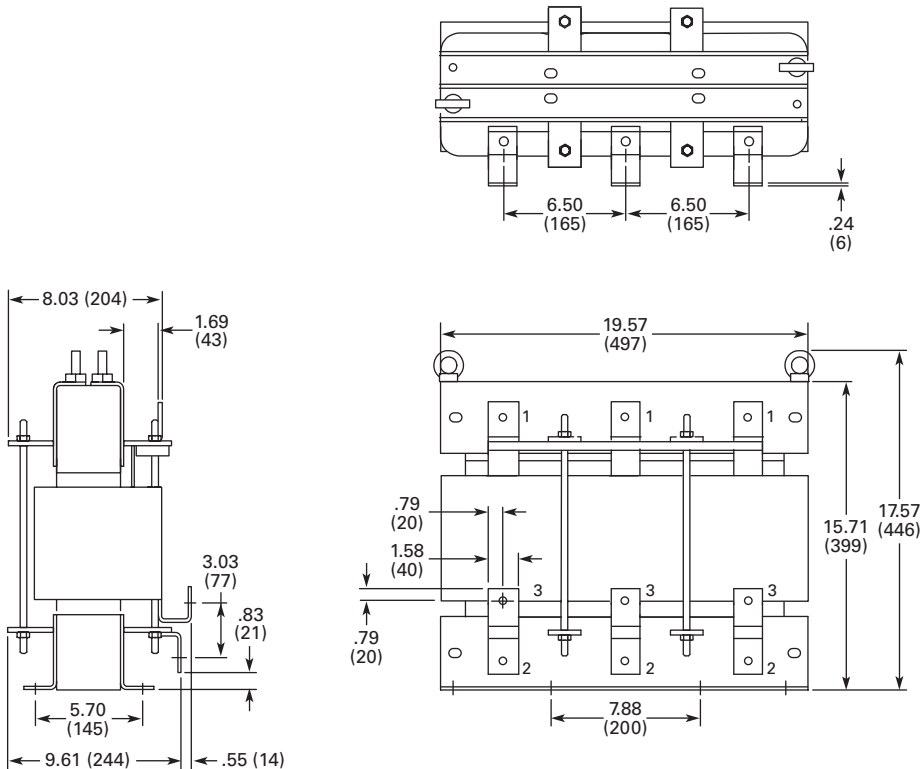
2

AC Choke Dimensions

Choke Types

Catalog Number	Frame Size	Choke Type ①	Catalog Number	Frame Size	Choke Type ①
Voltage Range 380–500 V			Voltage Range 525–690 V		
SPX 250 4	FR10	CHK0400	SPX 200 5	FR10	CHK0261
SPX 300 4		CHK0520	SPX 250 5		CHK0400
SPX 350 4		CHK0520	SPX 300 5		CHK0400
SPX 400 4	FR11	2 x CHK0400	SPX 400 5	FR11	CHK0520
SPX 500 4		2 x CHK0400	SPX 450 5		CHK0520
SPX 550 4		2 x CHK0400	SPX 500 5		2 x CHK0400
SPX 600 4	FR12	2 x CHK0520	SPX 550 5	FR12	2 x CHK0400
SPX 650 4		2 x CHK0520	SPX 600 5		2 x CHK0400
SPX 700 4		2 x CHK0520	SPX 700 5		2 x CHK0400
SPX 800 4	FR13	2 x CHK0400	SPX 800 5	FR13	2 x CHK0400
SPX 900 4		3 x CHK0520	SPX 900 5		2 x CHK0400
SPX H10 4		3 x CHK0520	SPX H10 5		2 x CHK0400
SPX H12 4	FR14	4 x CHK0520	SPX H13 5	FR14	4 x CHK0400
SPX H16 4		6 x CHK0400	SPX H15 5		6 x CHK0400

CHK0520

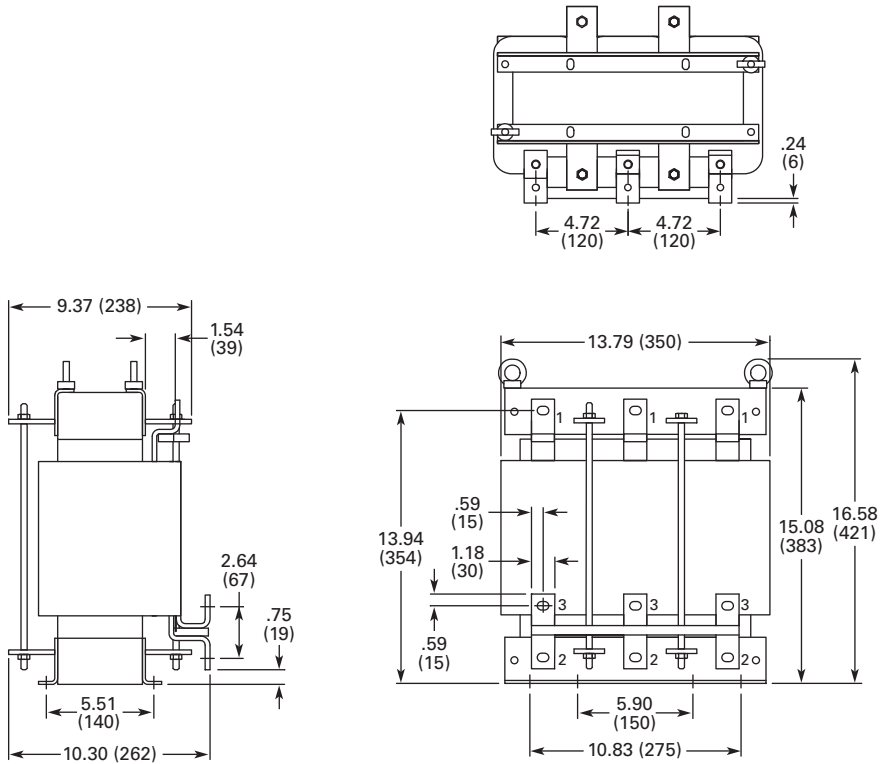


Note

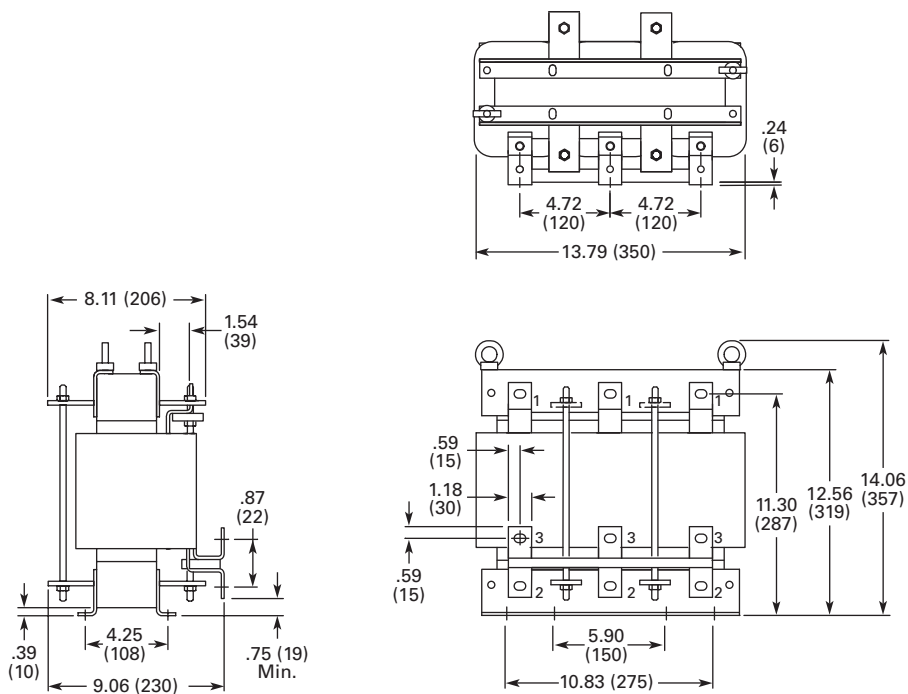
① Chokes are provided with all FR10–FR14 drives.

Approximate Dimensions in Inches (mm)

CHK0400

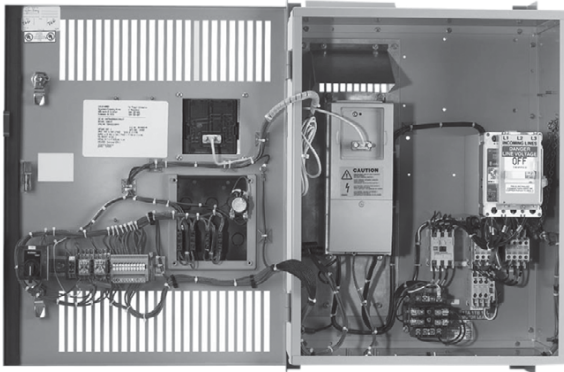


CHK0261



SVX Enclosed Drives

2



Contents

Description	Page
SVX Drives	V6-T2-102
SVX Enclosed Drives	
Catalog Number Selection	V6-T2-141
Product Selection	V6-T2-143
Enclosure Selection	V6-T2-149
Options	V6-T2-150
Technical Data and Specifications	V6-T2-153
Dimensions	V6-T2-155

SVX Enclosed Drives

Product Description

Eaton's line of enclosed SVX drives combine the proven performance from Eaton's SVX drives with the enhanced capabilities of enclosed control. With a comprehensive list of pre-engineered options, Eaton's SVX enclosed drives eliminate the lead time normally associated with customer specific options. For those applications with more unique or complex requirements, Eaton offers individually engineered solutions to meet the customer's needs.

Features and Benefits

- Dual rated for both constant torque (CT) / high overload (IH) and variable torque (VT) / low overload applications
- Optional Brake Chopper for external braking applications
- High-performance drive option uses an Eaton SPX (IH) drive that allows for increased functionality and performance
- Available circuit breaker, motor circuit protector, isolation fusing and surge protection device options to provide input power protection
- Optional 3% input and output reactors provide a reduction in voltage and current harmonics on both line and load side
- Bypass options include a standard three-contactor design and a reduced voltage soft starter design
- Output contactor option provides a means for positive disconnection of the drive output from the motor terminals
- MotoRX and dV/dt filter options are used to reduce transients voltages at the motor terminals
- Customizable cover control options
- Padlockable disconnect

Communication Options

- Modbus
- Modbus/TCP
- Johnson Controls N2
- BACnet
- EtherNet/IP
- PROFIBUS-DP
- LonWorks
- CANopen
- DeviceNet

Enclosure Ratings

- NEMA Type 1
- NEMA Type 12
- NEMA Type 3R

Mounting

- Wall mount
- Floor mount: 12-inch legs
- Floor mount: 22-inch legs

Product Range

- 208 V: 0.75–100 hp
- 230 V: 0.75–125 hp
- 480 V: 1–800 hp
- 575 V: 2–800 hp
- 230 V single-phase: 1–30 hp
- 480 V single-phase: 1.5–60 hp

Standards and Certifications

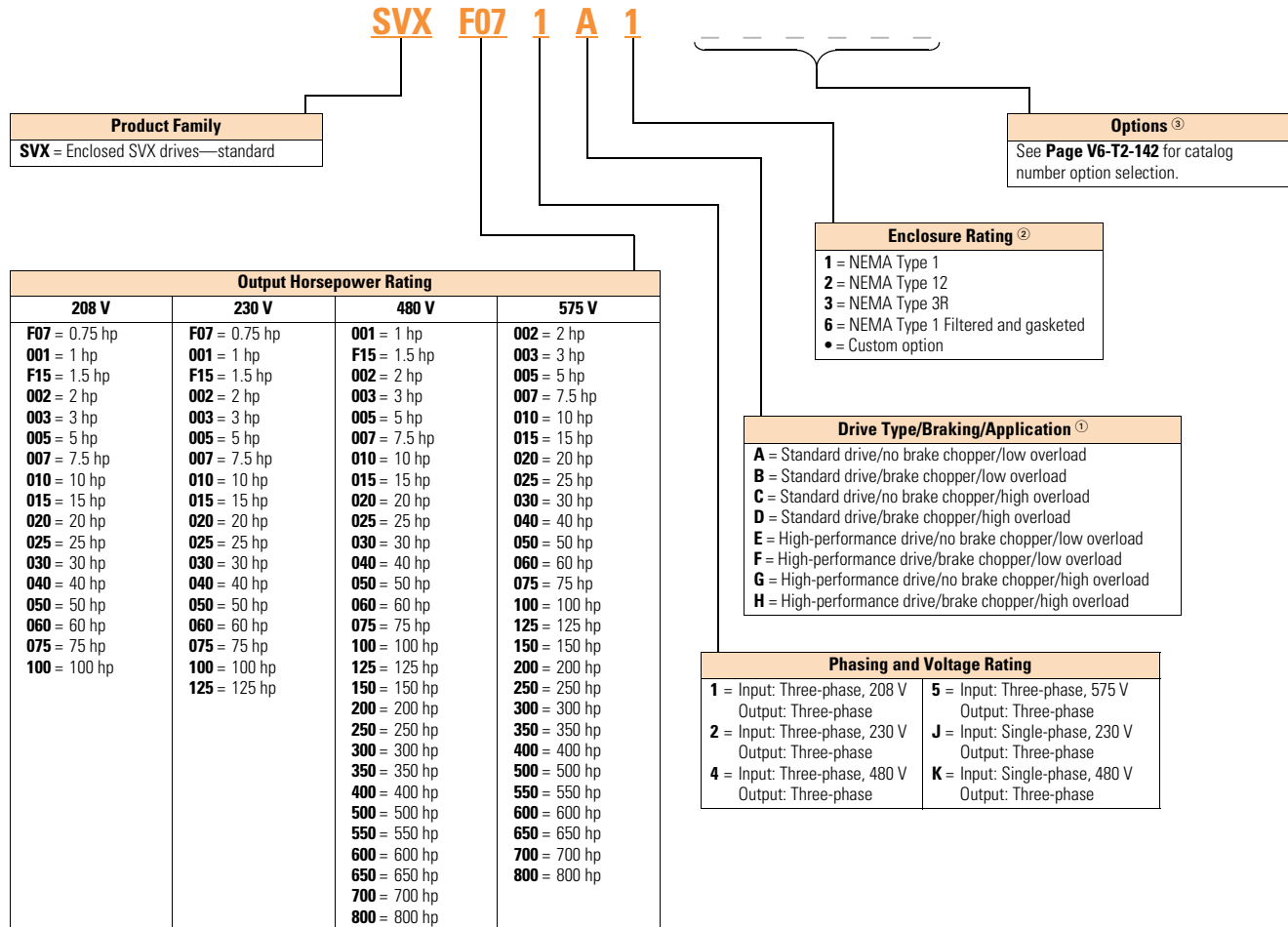
- UL 508C



Catalog Number Selection

Catalog Number Selection is for reference only. Not all option combinations may be available.

SVX Enclosed—Base Catalog Number



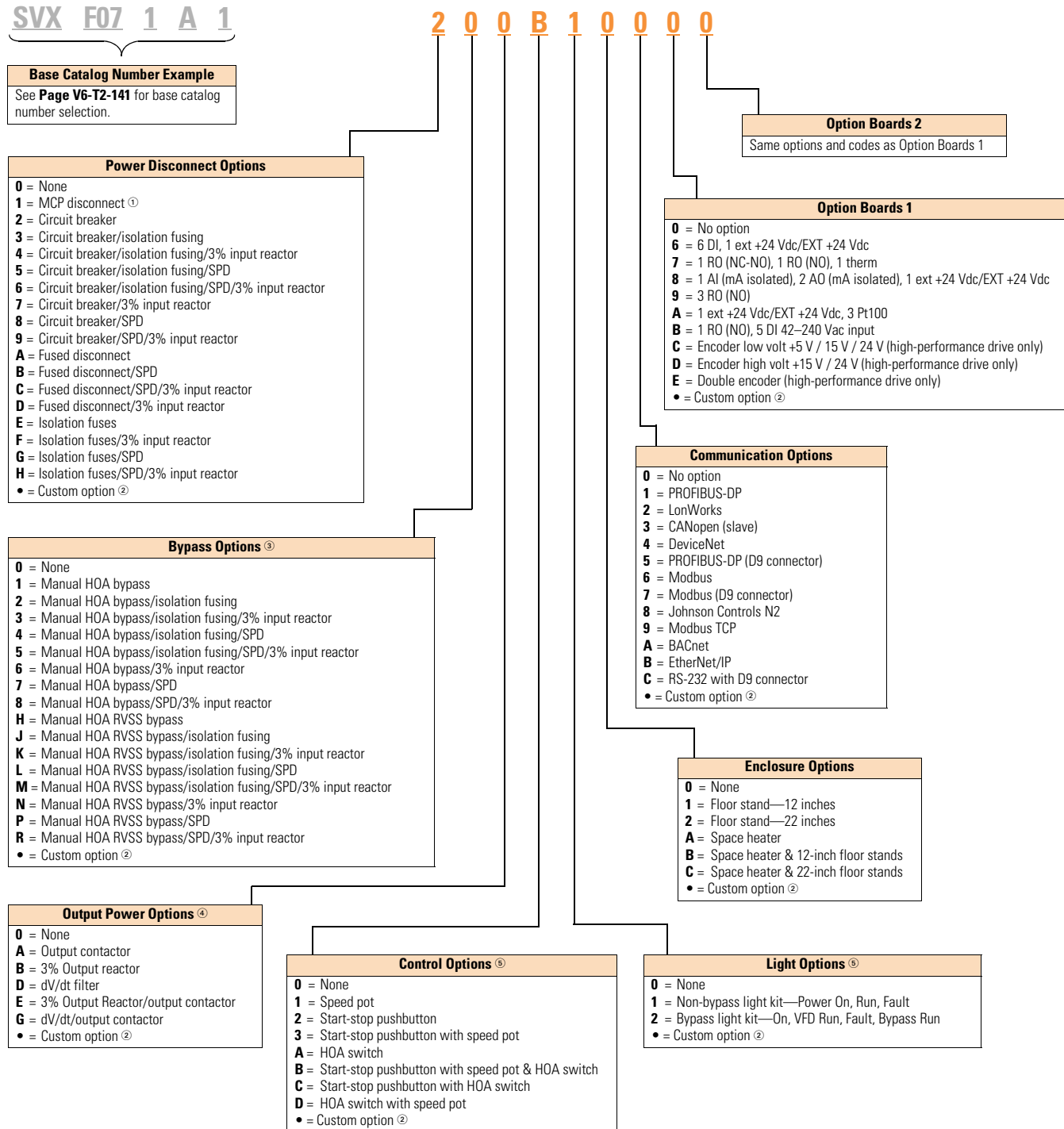
Notes

- ① Brake chopper is a factory-installed option only. Braking resistors sold separately. See SVX catalog section for selection.
- ② Additional enclosure options including NEMA 4 and 4X are available. Please contact the factory for configuration and pricing.
- ③ Part number configuration continued on the following page.

Catalog Number Selection is for reference only. Not all option combinations may be available.

SVX Enclosed—Catalog Number Options

2



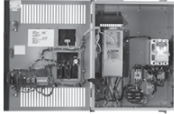
Notes

- ① HMCP disconnect option required and only available when bypass is selected.
- ② More options are available as Engineered to Order through the Bid Manager tool.
- ③ All bypass options include third contactor for drive isolation when in bypass mode.
- ④ Output contactor not available with bypass. Bypass comes standard with output contactor.
- ⑤ Pilot devices are 22 mm standard. 30 mm options are available as engineered to order through the Bid Manager tool.

Product Selection

208 V Drives

SVX Enclosed Drives



208 V Drives—Constant Torque (CT)/High Overload (IH) Enclosed Drives

hp	Current (A)	Drive Frame Size	NEMA Type 1 Base Catalog Number ①	NEMA Type 12 Base Catalog Number ①	NEMA Type 3R Base Catalog Number ①
0.75	3.5	4	SVXF071D1	SVXF071D2	SVXF071D3
1	4.6	4	SVX0011D1	SVX0011D2	SVX0011D3
1.5	6.6	4	SVXF151D1	SVXF151D2	SVXF151D3
2	7.5	4	SVX0021D1	SVX0021D2	SVX0021D3
3	10.6	4	SVX0031D1	SVX0031D2	SVX0031D3
5	16.7	5	SVX0051D1	SVX0051D2	SVX0051D3
7.5	24.2	5	SVX0071D1	SVX0071D2	SVX0071D3
10	30.8	6	SVX0101D1	SVX0101D2	SVX0101D3
15	46.2	6	SVX0151D1	SVX0151D2	SVX0151D3
20	59.4	7	SVX0201C1	SVX0201C2	SVX0201C3
25	74.8	7	SVX0251C1	SVX0251C2	SVX0251C3
30	88	7	SVX0301C1	SVX0301C2	SVX0301C3
40	114	8	SVX0401C1	SVX0401C2	SVX0401C3
50	143	8	SVX0501C1	SVX0501C2	SVX0501C3
60	169	8	SVX0601C1	SVX0601C2	SVX0601C3
75	211	9	SVX0751C1	SVX0751C2	SVX0751C3
②	261	9	SVX1001C1	SVX1001C2	SVX1001C3

SVX Enclosed Drives



208 V Drives—Variable Torque (VT)/Low Overload (IL) Enclosed Drives

hp	Current (A)	Drive Frame Size	NEMA Type 1 Base Catalog Number ①	NEMA Type 12 Base Catalog Number ①	NEMA Type 3R Base Catalog Number ①
1	4.6	4	SVX0011B1	SVX0011B2	SVX0011B3
1.5	6.6	4	SVXF151B1	SVXF151B2	SVXF151B3
2	7.5	4	SVX0021B1	SVX0021B2	SVX0021B3
3	10.6	4	SVX0031B1	SVX0031B2	SVX0031B3
5	16.7	5	SVX0051B1	SVX0051B2	SVX0051B3
7.5	24.2	5	SVX0071B1	SVX0071B2	SVX0071B3
10	30.8	5	SVX0101B1	SVX0101B2	SVX0101B3
15	46.2	6	SVX0151B1	SVX0151B2	SVX0151B3
20	59.4	6	SVX0201B1	SVX0201B2	SVX0201B3
25	74.8	7	SVX0251A1	SVX0251A2	SVX0251A3
30	88	7	SVX0301A1	SVX0301A2	SVX0301A3
40	114	7	SVX0401A1	SVX0401A2	SVX0401A3
50	143	8	SVX0501A1	SVX0501A2	SVX0501A3
60	169	8	SVX0601A1	SVX0601A2	SVX0601A3
75	211	9	SVX0751A1	SVX0751A2	SVX0751A3
100	273	9	SVX1001A1	SVX1001A2	SVX1001A3

Notes

- ① Table is for base catalog number reference only. For complete catalog number selection, see Page V6-T2-141.
 ② These units are current rated. They do not meet NEC ampere rating at this horsepower.

2.7

Adjustable Frequency Drives

SVX Drives

230 V Drives

2

SVX Enclosed Drives



230 V Drives—Constant Torque (CT)/High Overload (IH) Enclosed Drives

hp	Current (A)	Drive Frame Size	NEMA Type 1 Base Catalog Number ①	NEMA Type 12 Base Catalog Number ①	NEMA Type 3R Base Catalog Number ①
0.75	3.2	4	SVXF072D1	SVXF072D2	SVXF072D3
1	4.2	4	SVX0012D1	SVX0012D2	SVX0012D3
1.5	6	4	SVXF152D1	SVXF152D2	SVXF152D3
2	6.8	4	SVX0022D1	SVX0022D2	SVX0022D3
3	9.6	4	SVX0032D1	SVX0032D2	SVX0032D3
5	15.2	5	SVX0052D1	SVX0052D2	SVX0052D3
7.5	22	5	SVX0072D1	SVX0072D2	SVX0072D3
10	28	6	SVX0102D1	SVX0102D2	SVX0102D3
15	42	6	SVX0152D1	SVX0152D2	SVX0152D3
20	54	7	SVX0202C1	SVX0202C2	SVX0202C3
25	68	7	SVX0252C1	SVX0252C2	SVX0252C3
30	80	7	SVX0302C1	SVX0302C2	SVX0302C3
40	104	8	SVX0402C1	SVX0402C2	SVX0402C3
50	130	8	SVX0502C1	SVX0502C2	SVX0502C3
60	154	8	SVX0602C1	SVX0602C2	SVX0602C3
75	192	9	SVX0752C1	SVX0752C2	SVX0752C3
100	248	9	SVX1002C1	SVX1002C2	SVX1002C3

SVX Enclosed Drives



230 V Drives—Variable Torque (VT)/Low Overload (IL) Enclosed Drives

hp	Current (A)	Drive Frame Size	NEMA Type 1 Base Catalog Number ①	NEMA Type 12 Base Catalog Number ①	NEMA Type 3R Base Catalog Number ①
1	4.2	4	SVX0012B1	SVX0012B2	SVX0012B3
1.5	6	4	SVXF152B1	SVXF152B2	SVXF152B3
2	6.8	4	SVX0022B1	SVX0022B2	SVX0022B3
3	9.6	4	SVX0032B1	SVX0032B2	SVX0032B3
5	15.2	5	SVX0052B1	SVX0052B2	SVX0052B3
7.5	22	5	SVX0072B1	SVX0072B2	SVX0072B3
10	28	5	SVX0102B1	SVX0102B2	SVX0102B3
15	42	6	SVX0152B1	SVX0152B2	SVX0152B3
20	54	6	SVX0202B1	SVX0202B2	SVX0202B3
25	68	7	SVX0252A1	SVX0252A2	SVX0252A3
30	80	7	SVX0302A1	SVX0302A2	SVX0302A3
40	104	7	SVX0402A1	SVX0402A2	SVX0402A3
50	130	8	SVX0502A1	SVX0502A2	SVX0502A3
60	154	8	SVX0602A1	SVX0602A2	SVX0602A3
75	192	8	SVX0752A1	SVX0752A2	SVX0752A3
100	248	9	SVX1002A1	SVX1002A2	SVX1002A3
②	300	9	SVX1252A1	SVX1252A2	SVX1252A3

Notes

- ① Table is for base catalog number reference only. For complete catalog number selection, see **Page V6-T2-141**.
- ② These units are current rated. They do not meet NEC ampere rating at this horsepower.

480 V Drives

SVX Enclosed Drives



480 V Drives—Constant Torque (CT)/High Overload (IH) Enclosed Drives

hp	Current (A)	Drive Frame Size	NEMA Type 1 Base Catalog Number ^①	NEMA Type 12 Base Catalog Number ^①	NEMA Type 3R Base Catalog Number ^①
1	2.1	4	SVX0014D1	SVX0014D2	SVX0014D3
1.5	3	4	SVXF154D1	SVXF154D2	SVXF154D3
2	3.4	4	SVX0024D1	SVX0024D2	SVX0024D3
3	4.8	4	SVX0034D1	SVX0034D2	SVX0034D3
5	7.6	4	SVX0054D1	SVX0054D2	SVX0054D3
7.5	11	5	SVX0074D1	SVX0074D2	SVX0074D3
10	14	5	SVX0104D1	SVX0104D2	SVX0104D3
15	21	5	SVX0154D1	SVX0154D2	SVX0154D3
20	27	6	SVX0204D1	SVX0204D2	SVX0204D3
25	34	6	SVX0254D1	SVX0254D2	SVX0254D3
30	40	6	SVX0304D1	SVX0304D2	SVX0304D3
40	52	7	SVX0404C1	SVX0404C2	SVX0404C3
50	65	7	SVX0504C1	SVX0504C2	SVX0504C3
60	77	7	SVX0604C1	SVX0604C2	SVX0604C3
75	96	8	SVX0754C1	SVX0754C2	SVX0754C3
100	124	8	SVX1004C1	SVX1004C2	SVX1004C3
125	156	8	SVX1254C1	SVX1254C2	SVX1254C3
150	180	9	SVX1504C1	SVX1504C2	SVX1504C3
200	240	9	SVX2004C1	SVX2004C2	SVX2004C3
250	302	10	SVX2504G1	SVX2504G6 ^②	SVX2504G3
300	361	10	SVX3004G1	SVX3004G6 ^②	SVX3004G3
350	414	10	SVX3504G1	SVX3504G6 ^②	SVX3504G3
400	477	11	SVX4004G1	SVX4004G6 ^②	SVX4004G3
500	590	11	SVX5004G1	SVX5004G6 ^②	SVX5004G3
550	650	11	SVX5504G1	SVX5504G6 ^②	SVX5504G3
600	730	12	SVX6004G1	SVX6004G6 ^②	SVX6004G3
650	820	12	SVX6504G1	SVX6504G6 ^②	SVX6504G3
700	920	12	SVX7004G1	SVX7004G6 ^②	SVX7004G3

Notes

^① Table is for base catalog number reference only. For complete catalog number selection, see **Page V6-T2-141**.

^② Enclosure rating is NEMA Type 1 filtered and gasketed.

480 V Drives, continued

2

SVX Enclosed Drives



480 V Drives—Variable Torque (VT)/Low Overload (IL) Enclosed Drives

hp	Current (A)	Drive Frame Size	NEMA Type 1 Base Catalog Number ^①	NEMA Type 12 Base Catalog Number ^①	NEMA Type 3R Base Catalog Number ^①
1.5	3	4	SVXF154B1	SVXF154B2	SVXF154B3
2	3.4	4	SVX0024B1	SVX0024B2	SVX0024B3
3	4.8	4	SVX0034B1	SVX0034B2	SVX0034B3
5	7.6	4	SVX0054B1	SVX0054B2	SVX0054B3
7.5	11	4	SVX0074B1	SVX0074B2	SVX0074B3
10	14	5	SVX0104B1	SVX0104B2	SVX0104B3
15	21	5	SVX0154B1	SVX0154B2	SVX0154B3
20	27	5	SVX0204B1	SVX0204B2	SVX0204B3
25	34	6	SVX0254B1	SVX0254B2	SVX0254B3
30	40	6	SVX0304B1	SVX0304B2	SVX0304B3
40	52	6	SVX0404B1	SVX0404B2	SVX0404B3
50	65	7	SVX0504A1	SVX0504A2	SVX0504A3
60	77	7	SVX0604A1	SVX0604A2	SVX0604A3
75	96	7	SVX0754A1	SVX0754A2	SVX0754A3
100	124	8	SVX1004A1	SVX1004A2	SVX1004A3
125	156	8	SVX1254A1	SVX1254A2	SVX1254A3
150	180	8	SVX1504A1	SVX1504A2	SVX1504A3
200	240	9	SVX2004A1	SVX2004A2	SVX2004A3
②	300	9	SVX2504A1	SVX2504A2	SVX2504A3
300	361	10	SVX3004E1	SVX3004E6 ^③	SVX3004E3
350	414	10	SVX3504E1	SVX3504E6 ^③	SVX3504E3
400	477	10	SVX4004E1	SVX4004E6 ^③	SVX4004E3
500	590	11	SVX5004E1	SVX5004E6 ^③	SVX5004E3
550	650	11	SVX5504E1	SVX5504E6 ^③	SVX5504E3
600	730	11	SVX6004E1	SVX6004E6 ^③	SVX6004E3
650	820	12	SVX6504E1	SVX6504E6 ^③	SVX6504E3
700	920	12	SVX7004E1	SVX7004E6 ^③	SVX7004E3
800	1030	12	SVX8004E1	SVX8004E6 ^③	SVX8004E3

Notes

^① Table is for base catalog number reference only. For complete catalog number selection, see **Page V6-T2-141**.

^② These units are current rated. They do not meet NEC ampere rating at this horsepower.

^③ Enclosure rating is NEMA Type 1 filtered and gasketed.

575 V Drives

SVX Enclosed Drives

575 V Drives—Variable Torque (VT)/Low Overload (LO) Enclosed Drives



hp	Current (A)	Drive Frame Size	NEMA Type 1 Base Catalog Number ^①	NEMA Type 12 Base Catalog Number ^①	NEMA Type 3R Base Catalog Number ^①
3	3.9	6	SVX0035B1	SVX0035B2	SVX0035B3
5	6.1	6	SVX0055B1	SVX0055B2	SVX0055B3
7.5	9	6	SVX0075B1	SVX0075B2	SVX0075B3
10	11	6	SVX0105B1	SVX0105B2	SVX0105B3
15	17	6	SVX0155B1	SVX0155B2	SVX0155B3
20	22	6	SVX0205B1	SVX0205B2	SVX0205B3
25	27	6	SVX0255B1	SVX0255B2	SVX0255B3
30	32	6	SVX0305B1	SVX0305B2	SVX0305B3
40	41	7	SVX0405A1	SVX0405A2	SVX0405A3
50	52	7	SVX0505A1	SVX0505A2	SVX0505A3
60	62	8	SVX0605A1	SVX0605A2	SVX0605A3
75	77	8	SVX0755A1	SVX0755A2	SVX0755A3
100	99	8	SVX1005A1	SVX1005A2	SVX1005A3
125	125	9	SVX1255A1	SVX1255A2	SVX1255A3
150	144	9	SVX1505A1	SVX1505A2	SVX1505A3
200	192	9	SVX2005A1	SVX2005A2	SVX2005A3
250	242	10	SVX2505E1	SVX2505E6 ^②	SVX2505E3
300	289	10	SVX3005E1	SVX3005E6 ^②	SVX3005E3
400	382	10	SVX4005E1	SVX4005E6 ^②	SVX4005E3
450	412	11	SVX4505E1	SVX4505E6 ^②	SVX4505E3
500	472	11	SVX5005E1	SVX5005E6 ^②	SVX5005E3
550	590	11	SVX5505E1	SVX5505E6 ^②	SVX5505E3
600	650	12	SVX6005E1	SVX6005E6 ^②	SVX6005E3
700	750	12	SVX7005E1	SVX7005E6 ^②	SVX7005E3
800	820	12	SVX8005E1	SVX8005E6 ^②	SVX8005E3

Notes

^① Table is for base catalog number reference only. For complete catalog number selection, see **Page V6-T2-141**.

^② Enclosure rating is NEMA Type 1 filtered and gasketed.

230 V, Single-Phase Drives

SVX Enclosed Drives



230 V Single-Phase Drives—Variable Torque (VT)/Low Overload (LO) Enclosed Drives

hp	Current (A)	Drive Frame Size	NEMA Type 1 Base Catalog Number ^①	NEMA Type 12 Base Catalog Number ^①	NEMA Type 3R Base Catalog Number ^①
Low Overload (VT) Enclosed Drives					
3	9.6	5	SVX003JB1	SVX003JB2	SVX003JB3
5	15.2	5	SVX005JB1	SVX005JB2	SVX005JB3
7.5	22	6	SVX007JB1	SVX007JB2	SVX007JB3
10	28	6	SVX010JB1	SVX010JB2	SVX010JB3
15	42	7	SVX015JB1	SVX015JB2	SVX015JB3
20	54	7	SVX020JB1	SVX020JB2	SVX020JB3
25	68	8	SVX025JA1	SVX025JA2	SVX025JA3
30	80	8	SVX030JA1	SVX030JA2	SVX030JA3
40	104	8	SVX040JA1	SVX040JA2	SVX040JA3

480 V, Single-Phase Drives

SVX Enclosed Drives



480 V Single-Phase Drives—Variable Torque (VT)/Low Overload (LO) Enclosed Drives

hp	Current (A)	Drive Frame Size	NEMA Type 1 Base Catalog Number ^①	NEMA Type 12 Base Catalog Number ^①	NEMA Type 3R Base Catalog Number ^①
Low Overload (VT) Enclosed Drives					
1	2.1	4	SVX001KB1	SVX001KB2	SVX001KB3
3	4.8	4	SVX003KB1	SVX003KB2	SVX003KB3
5	7.6	5	SVX005KB1	SVX005KB2	SVX005KB3
7.5	11	5	SVX007KB1	SVX007KB2	SVX007KB3
10	14	5	SVX010KB1	SVX010KB2	SVX010KB3
15	21	6	SVX015KB1	SVX015KB2	SVX015KB3
20	27	6	SVX020KB1	SVX020KB2	SVX020KB3
25	34	7	SVX025KB1	SVX025KB2	SVX025KB3
30	40	7	SVX030KB1	SVX030KB2	SVX030KB3
40	52	8	SVX040KB1	SVX040KB2	SVX040KB3
50	65	8	SVX050KA1	SVX050KA2	SVX050KA3
60	77	8	SVX060KA1	SVX060KA2	SVX060KA3

Note

^① Table is for base catalog number reference only. For complete catalog number selection, see **Page V6-T2-141**.

Enclosure Selection

SVX Drives

Enclosure selection charts are based on physical space limitations only and only to be used as a reference. For actual enclosure sizing, refer to Bid Manager.

Note: Standard enclosure sizing includes dedicated space for a circuit breaker or fusible disconnect, CPT, SPD, heater/thermostat, control relay and terminal blocks.

Standard Enclosure X-Space

Enclosure Size	Frame 4	Frame 5	Frame 6	Frame 7	Frame 8
AX	2	2	2	—	—
BX	4	4	4	4	—
CX	7	7	7	7	7
DX	18	18	18	18	18

Standard Power Options X-Space

Power Options	Frame 4	Frame 5	Frame 6	Frame 7	Frame 8
Isolation fuses	1	1	1	1	1
3% Input reactor	2	2	3	5	6
3% Output reactor	1	1	3	5	6
dV/dt filter	3	3	3	5	6
Output contactor	1	1	1	1	1

Larger Frame Enclosure Sizes

Frame Size	Type 1	Type 12	Type 1 Filtered and Gasketed	Type 3R
Frame 9	Size 5	Size 5	—	Size F
Frame 10 (without power options)	Size 6	—	Size 6	Size F
Frame 10 (with power options)	Size 8	—	Size 8	Size F
Frame 11 (without power options)	Size 8	—	Size 8	Size F
Frame 11 (with power options)	Size 9	—	Size 9	Size F
Frame 12	①	—	①	①

Note: Bypass enclosure sizing includes dedicated space for a MCP, CPT, input contactor, output bypass contactors, overload relay, SPD, heater/thermostat, control relay and terminal blocks.

Bypass Enclosure X-Space

Enclosure Size	Frame 4	Frame 5	Frame 6	Frame 7	Frame 8
AX	0	0	0	—	—
BX	2	2	2	0	—
CX	5	5	5	3	2
DX	16	16	16	14	13

Bypass Power Options X-Space

Power Options	Frame 4	Frame 5	Frame 6	Frame 7	Frame 8
Isolation fuses	1	1	1	1	1
3% Input reactor	2	2	3	5	6
RVSS bypass	2	2	2	3	4
3% Output reactor	1	1	3	5	6
dV/dt filter	3	3	3	5	6

Larger Frame Enclosure Sizes

Frame Size	Type 1	Type 12	Type 1 Filtered and Gasketed	Type 3R
Frame 9	Size 5	Size 5	—	Size F
Frame 10	Size 8	—	Size 8	Size F
Frame 11	Size 9	—	Size 9	Size F
Frame 12	①	—	①	①

Note: Single-phase enclosure sizing includes dedicated space for a capacitor kit, circuit breaker or fusible disconnect, CPT, SPD, heater/thermostat, control relay and terminal blocks.

Single-Phase Enclosure X-Space

Enclosure Size	Frame 4	Frame 5	Frame 6	Frame 7	Frame 8
AX	0	0	—	—	—
BX	2	2	1	1	—
CX	5	5	4	4	4
DX	16	16	15	15	15

Single-Phase Power Options X-Space

Power Options	Frame 4	Frame 5	Frame 6	Frame 7	Frame 8
Isolation fuses	1	1	1	1	1
3% Input reactor	2	2	3	5	6
3% Output reactor	1	1	3	5	6
dV/dt filter	3	3	3	5	6
Output contactor	1	1	1	1	1

Larger Frame Enclosure Sizes

Frame Size	Type 1	Type 12	Type 1A Filtered and Gasketed	Type 3R
Frame 9	Size 5	Size 5	—	Size F
Frame 10	Size 8	—	Size 8	Size F
Frame 11	Size 9	—	Size 9	Size F
Frame 12	①	—	①	①

Note

① Consult factory.

Options

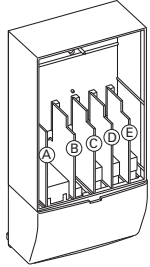
SVX Series Option Board Kits

2

The SVX Series drives can accommodate a wide selection of expander and adapter option boards to customize the drive for your application needs. The drive's control unit is designed to accept a total of five option boards.

The SVX Series factory installed standard board configuration includes an A9 I/O board and an A2 relay output board, which are installed in slots A and B.

Option Boards



Option Board Kits

Option Kit Description ^①	Allowed Slot Locations ^②	Field Installed Catalog Number	Factory Installed Option Designator	SVX Ready Programs						
				Basic	Local/Remote	Standard	MSS	PID	Multi-P.	PFC
Standard I/O Cards										
6 DI, 1 DO, 2 AI, 1 AO, 1 +10 Vdc ref, 2 ext +24 Vdc/EXT +24 Vdc	A	OPTA9	—	■	■	■	■	■	■	■
2 RO (NC-NO)	B	OPTA2	—	■	■	■	■	■	■	■
Extended I/O Cards										
2 RO, therm	B	OPTA3	A3	—	■	■	■	■	■	■
Encoder low volt +5 V/15 V/24 V—SPX only	C	OPTA4	A4	—	■	■	■	■	■	■
Encoder high volt +15 V/24 V—SPX only	C	OPTA5	A5	—	■	■	■	■	■	■
Double encoder—SPX only	C	OPTA7	A7	■	■	■	■	■	■	■
6 DI, 1 DO, 2 AI, 1 AO	A	OPTA8	A8	—	■	■	■	■	■	■
3 DI (encoder 10–24 V), out +15 V/+24 V, 2 DO (pulse+direction)—SPX only	C	OPTAE	AE	■	■	■	■	■	■	■
6 DI, 1 ext +24 Vdc/EXT +24 Vdc	B, C, D , E	OPTB1	B1	—	—	—	—	—	■	■
1 RO (NC-NO), 1 RO (NO), 1 therm	B, C, D , E	OPTB2	B2	—	—	—	—	—	■	■
1 AI (mA isolated), 2 AO (mA isolated), 1 ext +24 Vdc/EXT +24 Vdc	B, C, D , E	OPTB4	B4	■	■	■	■	■	■	■
3 RO (NO)	B, C, D , E	OPTB5	B5	—	—	—	—	—	■	■
1 ext +24 Vdc/EXT +24 Vdc, 3 Pt100	B, C, D , E	OPTB8	B8	—	—	—	—	—	—	—
1 RO (NO), 5 DI 42–240 Vac input	B, C, D , E	OPTB9	B9	—	—	—	—	—	■	■
Communication Cards										
Modbus ^③	D, E	OPTC2	C2	■	■	■	■	■	■	■
Modbus TCP	D, E	OPTCI	CI	■	■	■	■	■	■	■
BACnet	D, E	OPTCJ	CJ	■	■	■	■	■	■	■
EtherNet/IP	D, E	OPTCQ	CQ	■	■	■	■	■	■	■
Johnson Controls N2 ^③	D, E	OPTC2	CA	—	—	—	—	—	—	—
PROFIBUS DP	D, E	OPTC3	C3	■	■	■	■	■	■	■
LonWorks	D, E	OPTC4	C4	■	■	■	■	■	■	■
PROFIBUS DP (D9 connector)	D, E	OPTC5	C5	■	■	■	■	■	■	■
CANopen (slave)	D, E	OPTC6	C6	■	■	■	■	■	■	■
DeviceNet	D, E	OPTC7	C7	■	■	■	■	■	■	■
Modbus (D9 type connector)	D, E	OPTC8	C8	■	■	■	■	■	■	■
Adapter—SPX only	D, E	OPTD1	D1	■	■	■	■	■	■	■
Adapter—SPX only	D, E	OPTD2V	D2	■	■	■	■	■	■	■
RS-232 with D9 connection	D, E	OPTD3	D3	■	■	■	■	■	■	■

Notes

- ① AI = Analog Input; AO = Analog Output, DI = Digital Input, DO = Digital Output, RO = Relay Output
- ② Option card must be installed in one of the slots listed for that card. Slot indicated in bold is the preferred location.
- ③ OPTC2 is a multi-protocol option card.

Modbus RTU Network Communications

The Modbus Network Card OPTC2 is used for connecting the SVX Drive as a slave on a Modbus network. The interface is connected by a 9-pin DSUB connector (female) and the baud rate ranges from 300 to 19,200 baud. Other communication parameters include an address range from 1 to 247; a parity of None, Odd or Even; and the stop bit is 1.

PROFIBUS Network Communications

The PROFIBUS Network Card OPTC3 is used for connecting the SVX Drive as a slave on a PROFIBUS-DP network. The interface is connected by a 9-pin DSUB connector (female). The baud rates range from 9.6 Kbaud to 12 Mbaud, and the addresses range from 1 to 127.

LonWorks Network Communications

The LonWorks Network Card OPTC4 is used for connecting the SVX Drive on a LonWorks network. This interface uses Standard Network Variable Types (SNVT) as data types. The channel connection is achieved using a FTT-10 A Free Topology transceiver via a single twisted transfer cable. The communication speed with LonWorks is 78 kBits/s.

CANopen (Slave) Communications

The CANopen (Slave) Network Card OPTC6 is used for connecting the SVX Drive to a host system. According to ISO11898 standard cables to be chosen for CANbus should have a nominal impedance of 120 ohms, and specific line delay of nominal 5 nS/m. 120 ohms line termination resistors required for installation.

DeviceNet Network Communications

The DeviceNet Network Card OPTC7 is used for connecting the SVX Drive on a DeviceNet Network. It includes a 5.08 mm pluggable connector. Transfer method is via CAN using a two-wire twisted shielded cable with two-wire bus power cable and drain. The baud rates used for communication include 125 Kbaud, 250 Kbaud and 500 Kbaud.

Johnson Controls Metasys N2 Network Communications

The OPTC2 fieldbus board provides communication between the SVX Drive and a Johnson Controls Metasys™ N2 network. With this connection, the drive can be controlled, monitored and programmed from the Metasys system. The N2 fieldbus is available as a factory installed option and as a field installable kit.

Modbus/TCP Network Communications

The Modbus/TCP Network Card OPTCI is used for connecting the SVX Drive to Ethernet networks utilizing Modbus protocol. It includes an RJ-45 pluggable connector. This interface provides a selection of standard and custom register values to communicate drive parameters. The board supports 10 Mbps and 100 Mbps communication speeds. The IP address of the board is configurable over Ethernet using a supplied software tool.

BACnet Network Communications

The BACnet Network Card OPTCJ is used for connecting the SVX Drive to BACnet networks. It includes a 5.08 mm pluggable connector. Data transfer is Master-Slave/Token Passing (MS/TP) RS-485. This interface uses a collection of 30 Binary Value Objects (BVOs) and 35 Analog Value Objects (AVOs) to communicate drive parameters. The card supports 9.6, 19.2 and 38.4 Kbaud communication speeds and supports network addresses 1–127.

EtherNet/IP Network Communications

The EtherNet/IP Network Card OPTCK is used for connecting the SVX Drive to Ethernet/Industrial Protocol networks. It includes an RJ-45 pluggable connector. The interface uses CIP objects to communicate drive parameters (CIP is “Common Industrial Protocol”, the same protocol used by DeviceNet). The board supports 10 Mbps and 100 Mbps communication speeds. The IP address of the board is configurable by Static, BOOTP and DHCP methods.

Input Power Options

Option	Description
HMCP Disconnect	The HMCP motor protection circuit breaker uses an electronic trip unit to provide typical motor overload relay functionality and short-circuit protection against potential phase-to-phase or phase-to-ground faults.
Circuit Breaker	Utilizes a circuit breaker to provide a means of short-circuit protection for the power cables between it and the drive, and protection from high-level ground faults on the power cable. Allows a convenient means of disconnecting the drive from the line, and the operating mechanism can be padlocked in the OFF position. This is factory mounted in the enclosure.
Isolation Fusing	Provides high-level fault protection of the drive input power circuit from the load side of the fuses to the input side of the power transistors. This option consists of three 200 kA fuses that are factory mounted in the enclosure.
3% Input Reactor	The input reactor is a three-phase series inductance on the line side of an AFD. It is used to provide a reduction in voltage and current harmonics. It also provides increased input protection for AFD and its semiconductors from line transients.
SPD	Provides a UL 1449 surge protection device (SPD) rated for 40 kA/ph that is connected to the line side terminals.
Fused Disconnect	Utilizes fusing to provide a means of short-circuit protection for the power cables between it and the drive, and protection from high-level ground faults on the power cable. Allows a convenient means of disconnecting the drive from the line, and the operating mechanism can be padlocked in the OFF position. This is factory mounted in the enclosure.

Bypass Options

Option	Description
Manual HOA Bypass	Provides a three-position selector switch that allows the user to select either a HAND or AUTO mode of operation. HAND mode is defaulted keypad operation, and AUTO mode is defaulted to control from an external terminal source. These modes of operation can be configured via programming to allow for alternate combinations of start and speed sources. Start and speed sources include keypad, I/O and fieldbus.
Manual HOA RVSS Bypass	This option adds a reduced voltage soft starter to bypass assembly for soft starting in bypass mode.

Output Power Options

Option	Description
Output Contactor	Provides a means for positive disconnection of the drive output from the motor terminals. The contactor coil is controlled by the drive's run or permissive logic. NC and NO auxiliary contacts rated at 10 A, 600 Vac are provided for customer use. This option includes a low VA 115 Vac fused control power transformer and is factory mounted in the enclosure.
3% Output Reactor	The output reactor is a three-phase series inductance on the load side of a VFD. It is used to reduce transient voltage (dv/dt) and peak voltages at the motor terminals. A 3% output filter is recommended for motor cable lengths up to 300 ft (10 m).
dV/dt Filter	Used to reduce the transient voltage (dV/dt) at the motor terminals. Recommended for motor cable lengths over 300 ft (10 m) and up to 1000 ft (304.8 m). This option is mounted in the enclosure.

Control Options

Option	Description
Speed Pot	Provides the ability to adjust the frequency reference using a door-mounted potentiometer. This option uses the 10 Vdc reference to generate a 0–10 V signal at the analog voltage input signal terminal. When the HOA bypass option is added, the speed is controlled when the HOA switch is in the HAND position. Without the HOA bypass option, a two-position switch (labeled local/remote) is provided on the keypad to select speed reference from the speed potentiometer or a remote speed signal.
HOA Switch	Provides a three-position selector switch that allows the user to select either a HAND or AUTO mode of operation. HAND mode is defaulted to keypad operation, and AUTO mode is defaulted to control from an external terminal source. These modes of operation can be configured via drive programming to allow for alternate combinations of start and speed sources. Start and speed sources include Keypad, I/O and fieldbus.
Start-Stop Pushbutton	Provides door-mounted START and STOP pushbuttons for either bypass or non-bypass configurations.

Light Options

Option	Description
Non-Bypass Light Kit—Power On, Run, Fault	Provides a white POWER ON light that indicates power to the enclosed cabinet, a green RUN light that indicates the drive is running and a red FAULT light that indicates a drive fault has occurred.
Bypass Light Kit—On, VFD Run, Fault, Bypass Run	Provides a white POWER ON light that indicates power to the enclosed cabinet, a green RUN light that indicates the drive is running, a red FAULT light that indicates a drive fault has occurred and an amber light that indicates when the motor is running in Bypass mode.

Enclosure Options

Option	Description
Floor Stand 12 in	Converts a normally wall-mounted enclosure to a floor-standing enclosure with a height of 12 in (304.8 mm).
Floor Stand 22 in	Converts a normally wall-mounted enclosure to a floor-standing enclosure with a height of 22 in (558.8 mm).

Enclosed Drive Options**Brake Chopper Options**

The brake chopper circuit option is used for applications that require dynamic braking. Dynamic braking resistors are not included with drive purchase. Consult **Page V6-T2-111** for dynamic braking resistors which are supplied separately. Resistors are not UL Listed.

For brake chopper circuit selection and adder—NEMA Type 1/IP21, NEMA Type 12/IP54, consult the factory

Technical Data and Specifications**SVX Enclosed Drives**

Description	Specification
Primary Design Features	
45–66 Hz input frequency	Standard
Output: AC volts maximum	Input voltage base
Output frequency range	0–320 Hz
Initial output current (I_H)	250% for 2 seconds
Overload (1 minute (I_H/I_L))	150%/110%
Enclosure space heater	Optional
Oversize enclosure	Standard
Output contactor	Optional
Bypass motor starter	Optional
Listings	UL, cUL
Protection Features	
Incoming line fuses	Optional
AC input circuit disconnect	Optional
Line reactors (3%)	Standard
Phase rotation insensitive	Standard
EMI filter	Standard
Input phase loss protection	Standard
Input overvoltage protection	Standard
Line surge protection	Optional
Output short-circuit protection	Standard
Output ground fault protection	Standard
Output phase protection	Standard
Overtemperature protection	Standard
DC overvoltage protection	Standard
Drive overload protection	Standard
Motor overload protection	Standard
Programmer software	Optional
Local/remote keypad	Standard
Keypad lockout	Standard
Fault alarm output	Standard
Built-in diagnostics	Standard

Description	Specification
Input/Output Interface Features	
Setup adjustment provisions	
Remote keypad/display	Standard
Personal computer	Standard
Operator control provisions	
Drive mounted keypad/display	Standard
Remote keypad/display	Standard
Conventional control elements	Standard
Serial communications	Optional
115 Vac control circuit	Optional
Speed setting inputs	
Keypad	Standard
0–10 Vdc potentiometer/voltage signal	Standard
4–20 mA Isolated	Configurable
4–20 mA Differential	Configurable
Analog outputs	
Speed/frequency	Standard
Torque/load/current	Programmable
Motor voltage	Programmable
Kilowatts	Programmable
0–10 Vdc signals	Configurable w/jumpers
4–20 mA DC signals	Standard
Isolated signals	Optional
Discrete outputs	
Fault alarm	Standard
Drive running	Standard
Drive at set speed	Programmable
Optional parameters	14
Dry contacts	1 (2 relays Form C)
Open collector outputs	1
Additional discrete outputs	Optional
Communications	
RS-232	Standard
RS-422/485	Optional
DeviceNet™	Optional
Modbus RTU	Optional
CANopen (slave)	Optional
PROFIBUS-DP	Optional
Lonworks®	Optional
Johnson Controls Metasys™ N2	Optional
EtherNet/IP	Optional
Modbus TCP	Optional
BACnet	Optional

SVX Enclosed Drives, continued

Description	Specification
Performance Features	
Sensorless vector control	Standard
Volts/hertz control	Standard
IR and slip compensation	Standard
Electronic reversing	Standard
Dynamic braking	Optional ^①
DC braking	Standard
PID setpoint controller	Programmable
Critical speed lockout	Standard
Current (torque) limit	Standard
Adjustable acceleration/deceleration	Standard
Linear or S curve accel/decel	Standard
Jog at preset speed	Standard
Thread/preset speeds	7 Standard, 15 Optional
Automatic restart	Selectable
Coasting motor start	Standard
Coast or ramp stop selection	Standard
Elapsed time meter	Optional
Carrier frequency adjustment	1–16 kHz
Standard Conditions for Application and Service	
Operating ambient temperature	0 to 40 °C
Storage temperature	–40 to 60 °C
Humidity (maximum), non-condensing	95%
Altitude (maximum without derate)	3300 ft (1000 m)
Line voltage variation	+10/–15%
Line frequency variation	45–66 Hz
Efficiency	>96%
Power factor (displacement)	>0.94

Standard I/O Specifications

Description	Specification
Six–digital input programmable	24 V: "0" ≤10 V, "1" ≥18V, R _i >5 kohms
Two–analog input configurable w/jumpers	Voltage: 0–±10 V, R _i >200 kohms Current: 0 (4)–20 mA, R _i = 250 ohms
Two–digital output programmable	Form C relays 250 Vac 30 Vdc 2 amp resistive
One–analog output programmable configurable w/jumper	0–20 mA, R _L max. 500 ohms 10 bits ±2%
One digital output programmable	Open collector 48 Vdc 50 mA

I/O Specifications for Control/Communication Options

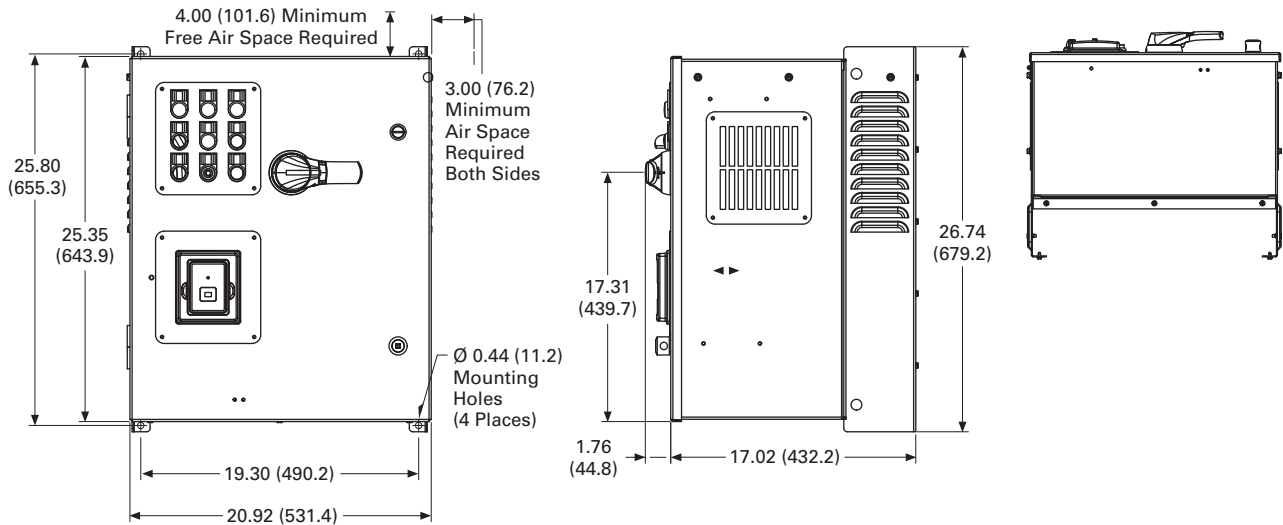
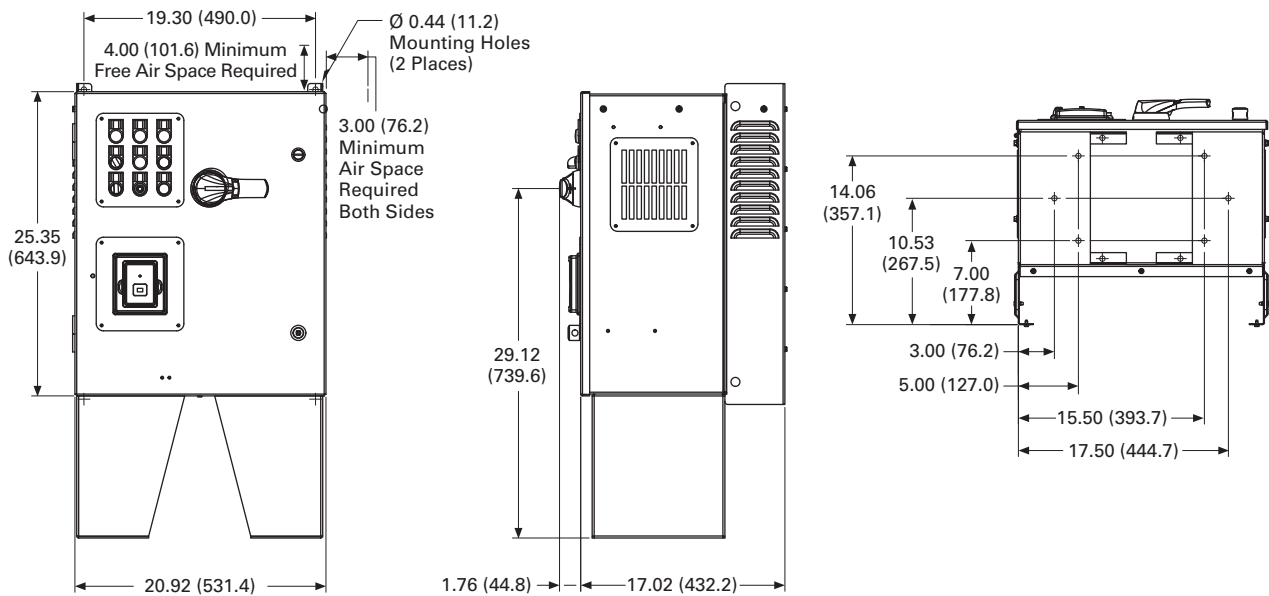
Description	Specification
Analog voltage, input	0–±10 V, R _i ≥200 kohms
Analog current, input	0 (4)–20 mA, R _i = 250 ohms
Digital input	24 V: "0" ≤10 V, "1" ≥18V, R _i >5 kohms
Auxiliary voltage	24 V (±20%), max. 50 mA
Reference voltage	10 V ±3%, max. 10 mA
Analog current, output	0 (4)–20 mA, R _L = 500 kohms resolution 10 bit, accuracy ≤±2%
Analog voltage, output	0 (2)–10 V, R _L ≥1 kohms, resolution 10 bit, accuracy ≤±2%
Relay output	
Maximum switching voltage	300 Vdc, 250 Vac
Maximum switching load	8 A/24 Vdc, 0.4 A/300 Vdc, 2 kVA/250 Vac
Maximum continuous load	2 A rms
Thermistor input	R _{trip} = 4.7 kohms
Encoder input	24 V: "0" ≤10 V, "1" ≥18V, R _i = 2.2 kohms 5 V: "0" ≤2V, "1" ≥3V, R _i = 330 ohms

Note

- ^① Some horsepower units include dynamic braking chopper as standard—refer to individual drive sections.

Dimensions

Approximate Dimensions in Inches (mm)

AX Box Type 1**AX Box Type 1—12 Inch Floor Stands**

2.7

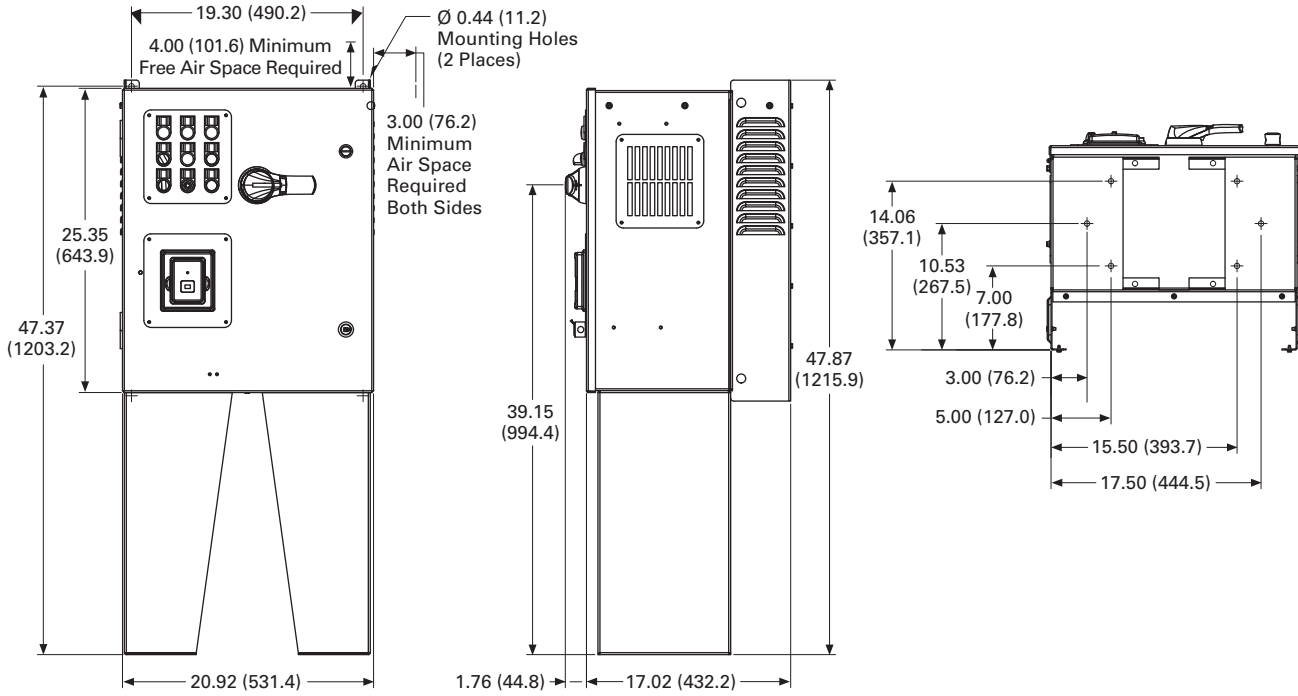
Adjustable Frequency Drives

SVX Drives

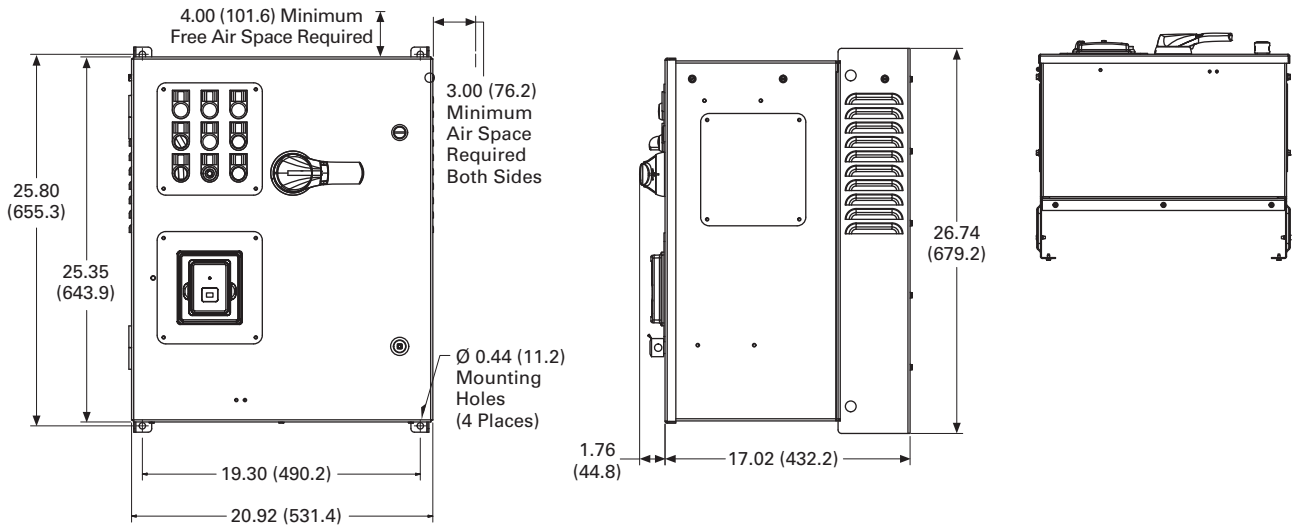
Approximate Dimensions in Inches (mm)

2

AX Box Type 1—22 Inch Floor Stands

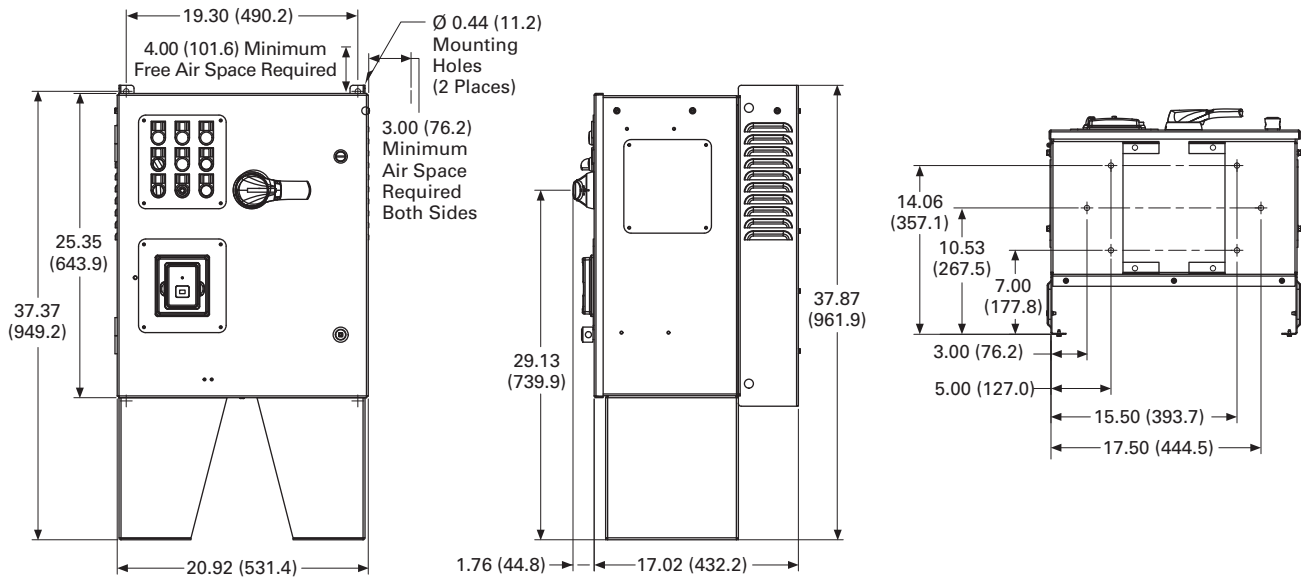


AX Box Type 12

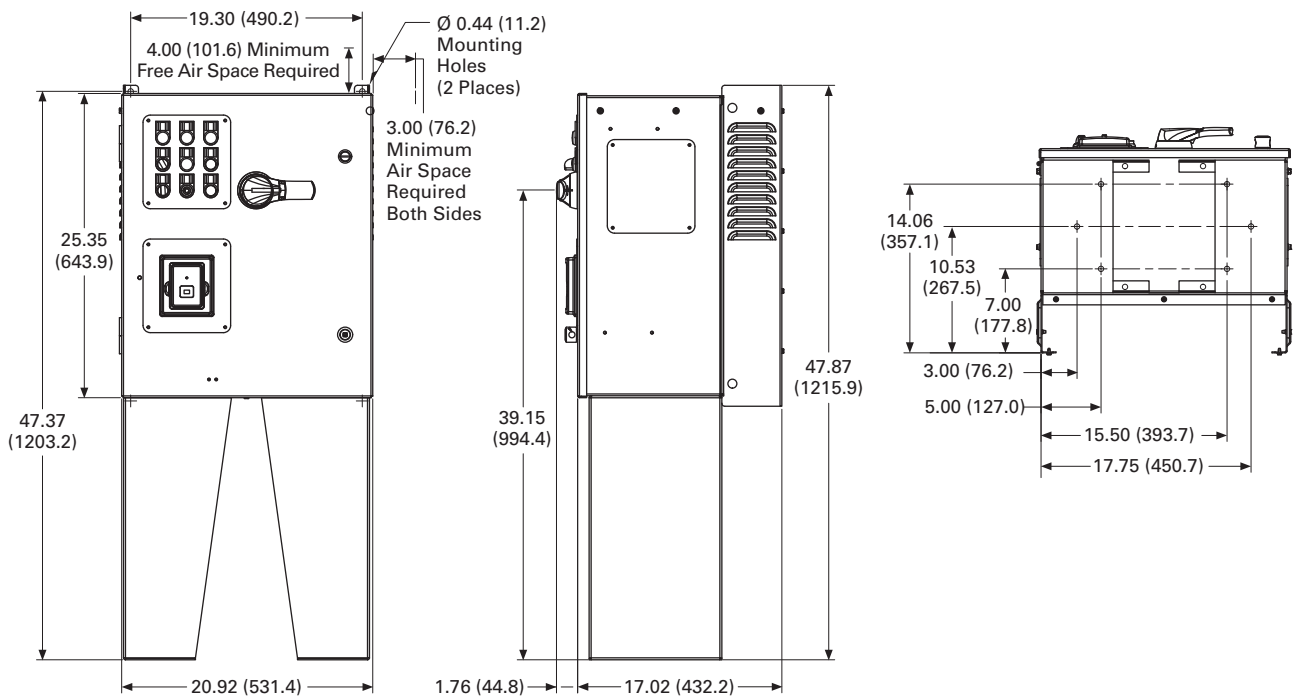


Approximate Dimensions in Inches (mm)

AX Box Type 12—12 Inch Floor Stands



AX Box Type 12—22 Inch Floor Stands



2.7

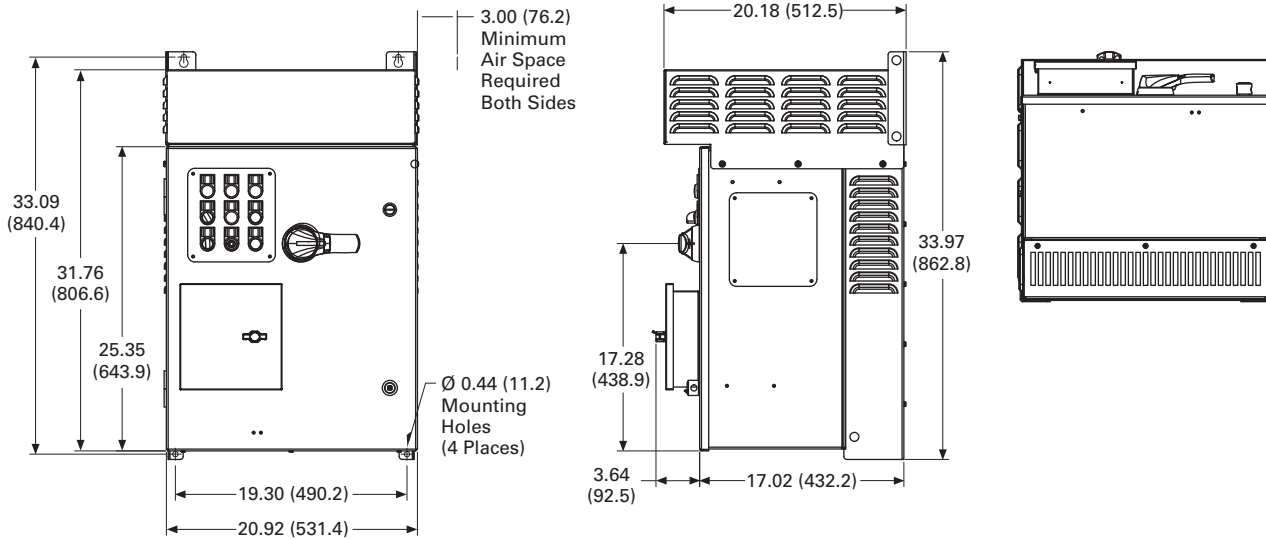
Adjustable Frequency Drives

SVX Drives

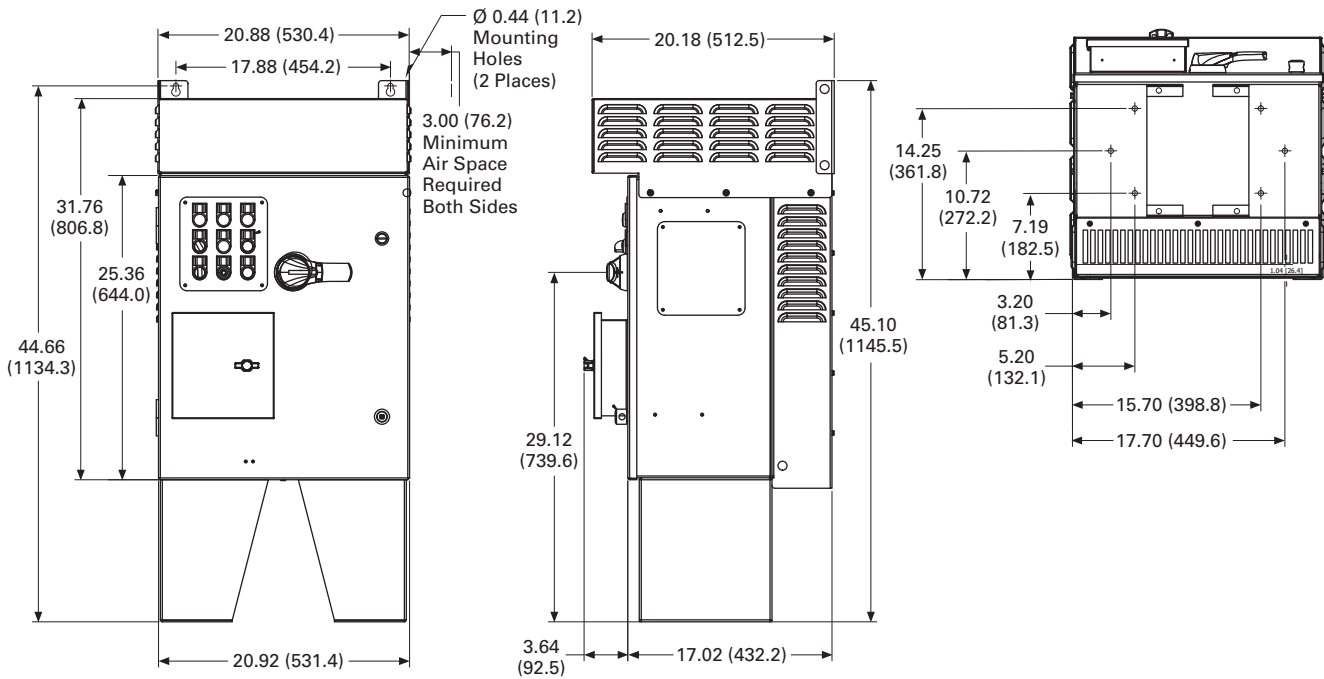
Approximate Dimensions in Inches (mm)

AX Box Type 3R

2

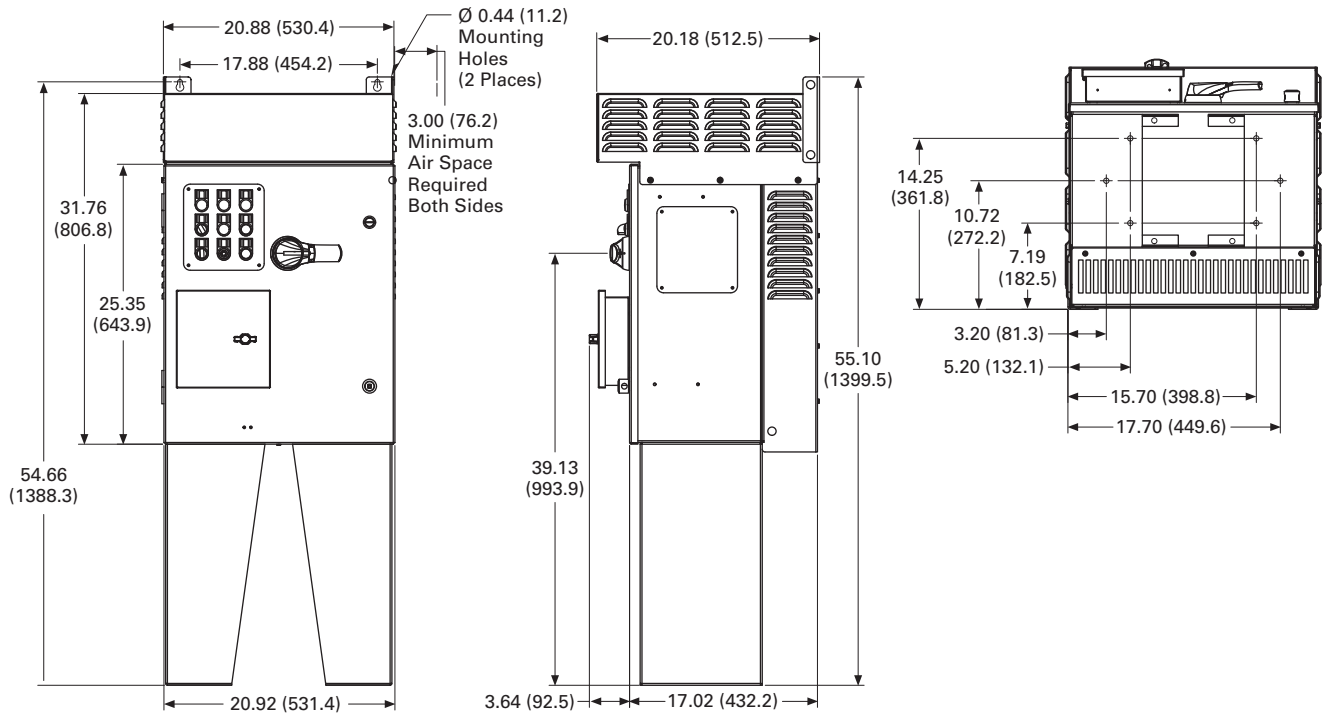


AX Box Type 3R—12 Inch Floor Stands

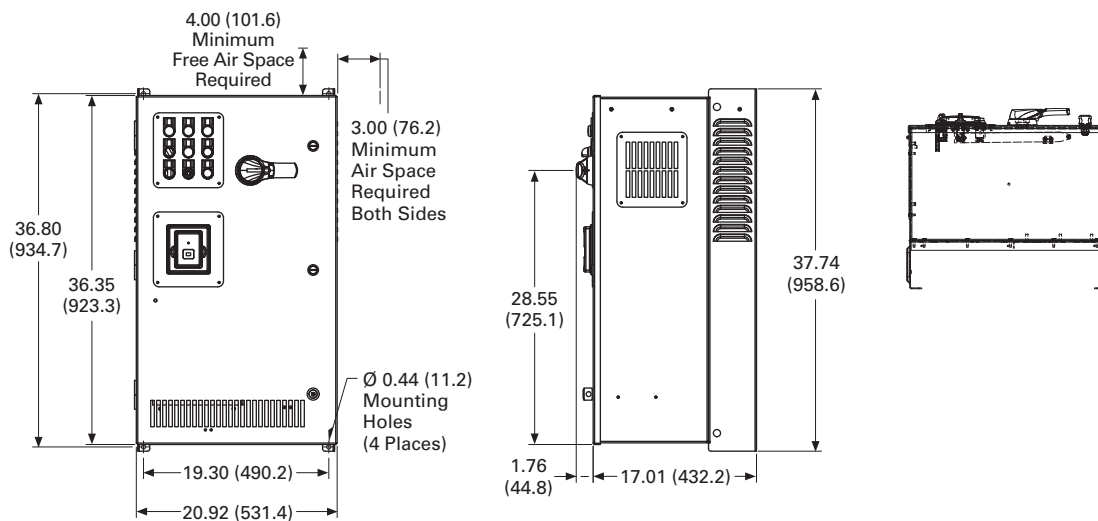


Approximate Dimensions in Inches (mm)

AX Box Type 3R—22 Inch Floor Stands



BX Box Type 1



2.7

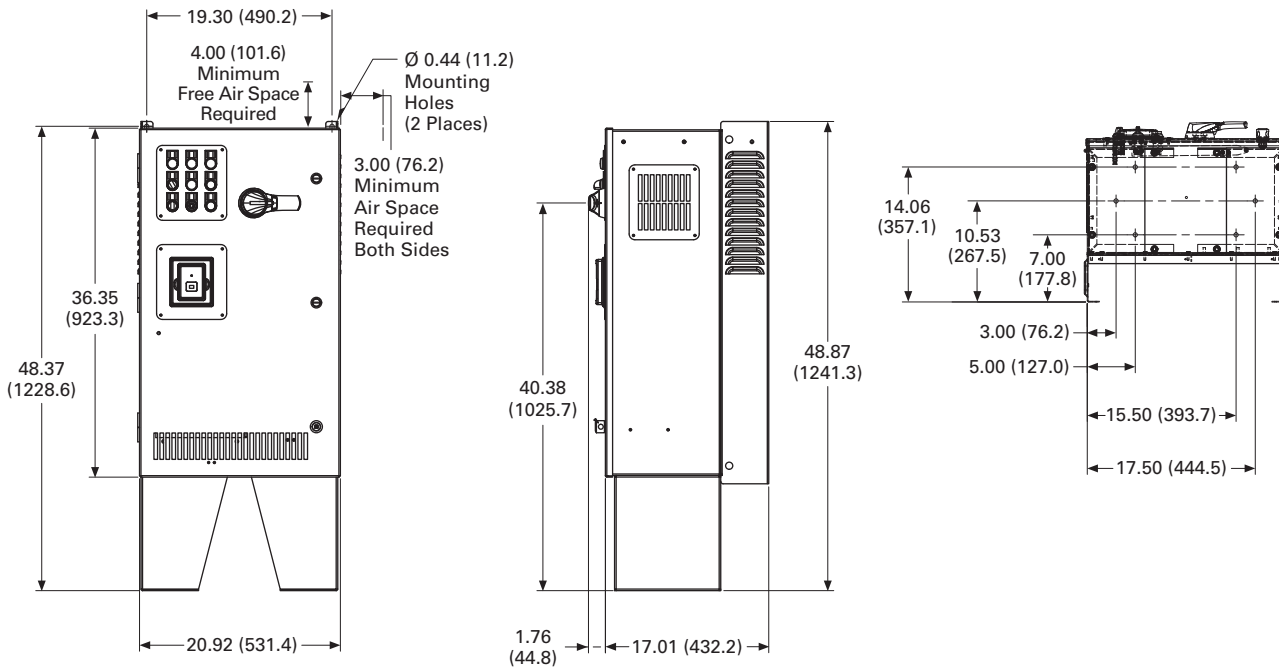
Adjustable Frequency Drives

SVX Drives

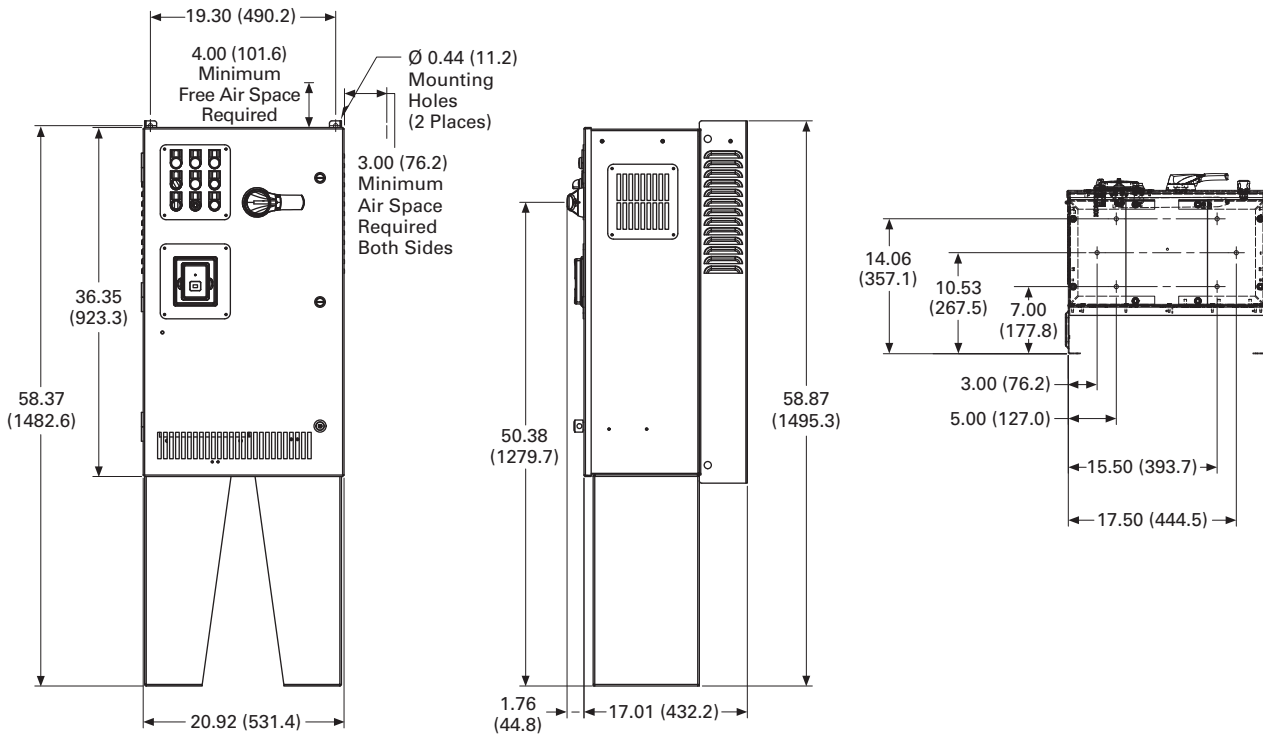
Approximate Dimensions in Inches (mm)

2

BX Box Type 1—12 Inch Floor Stands

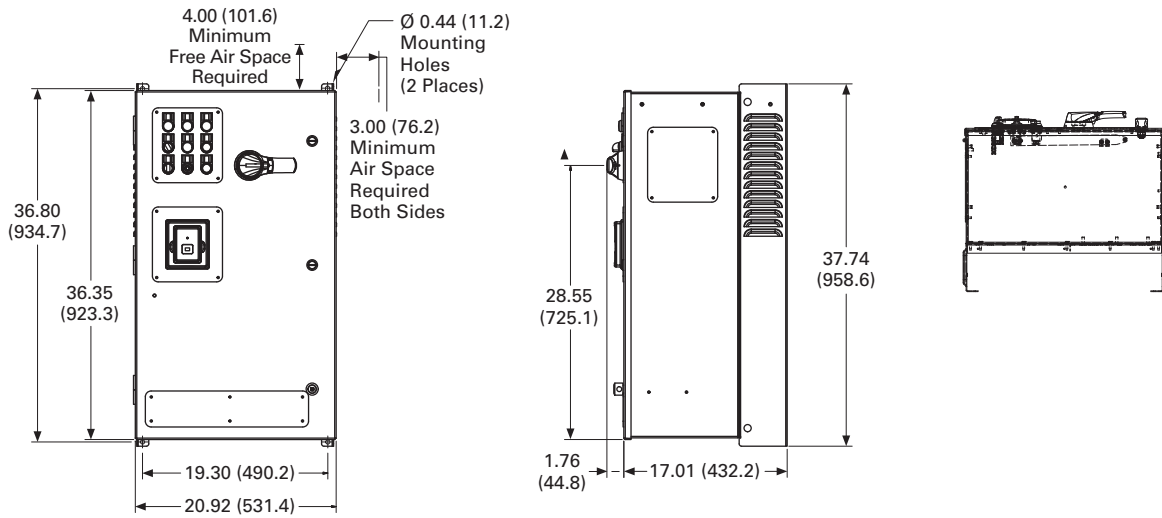


BX Box Type 1—22 Inch Floor Stands

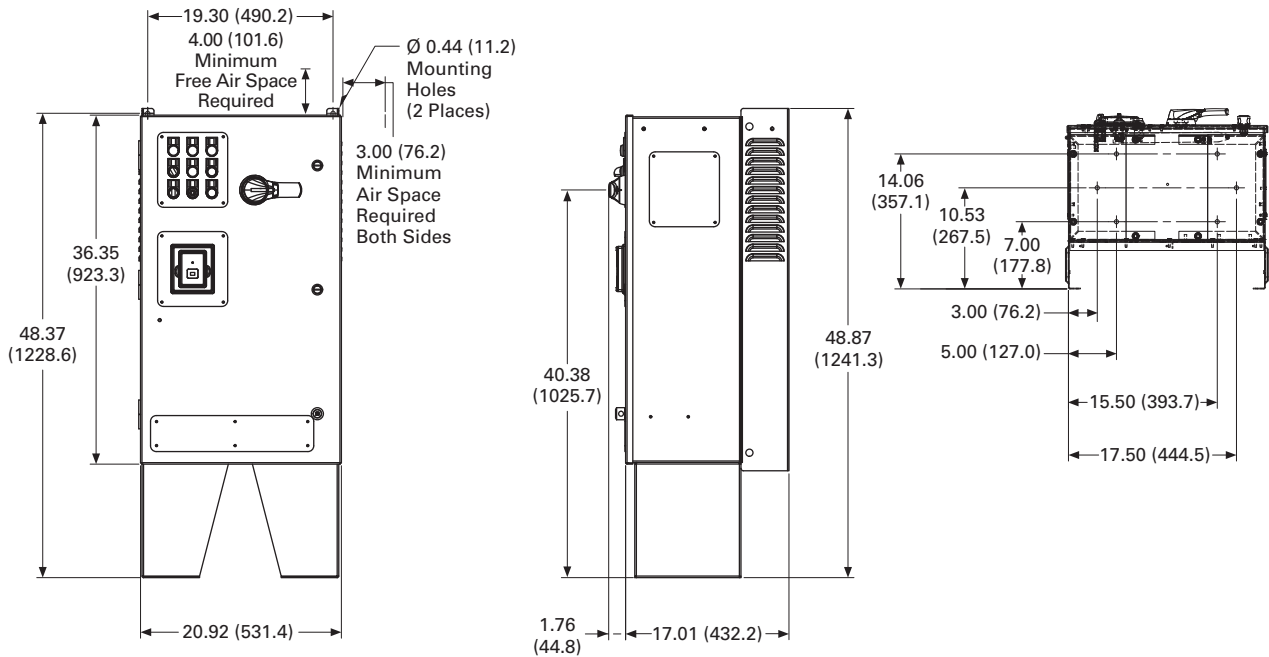


Approximate Dimensions in Inches (mm)

BX Box Type 12



BX Box Type 12—12 Inch Floor Stands



2.7

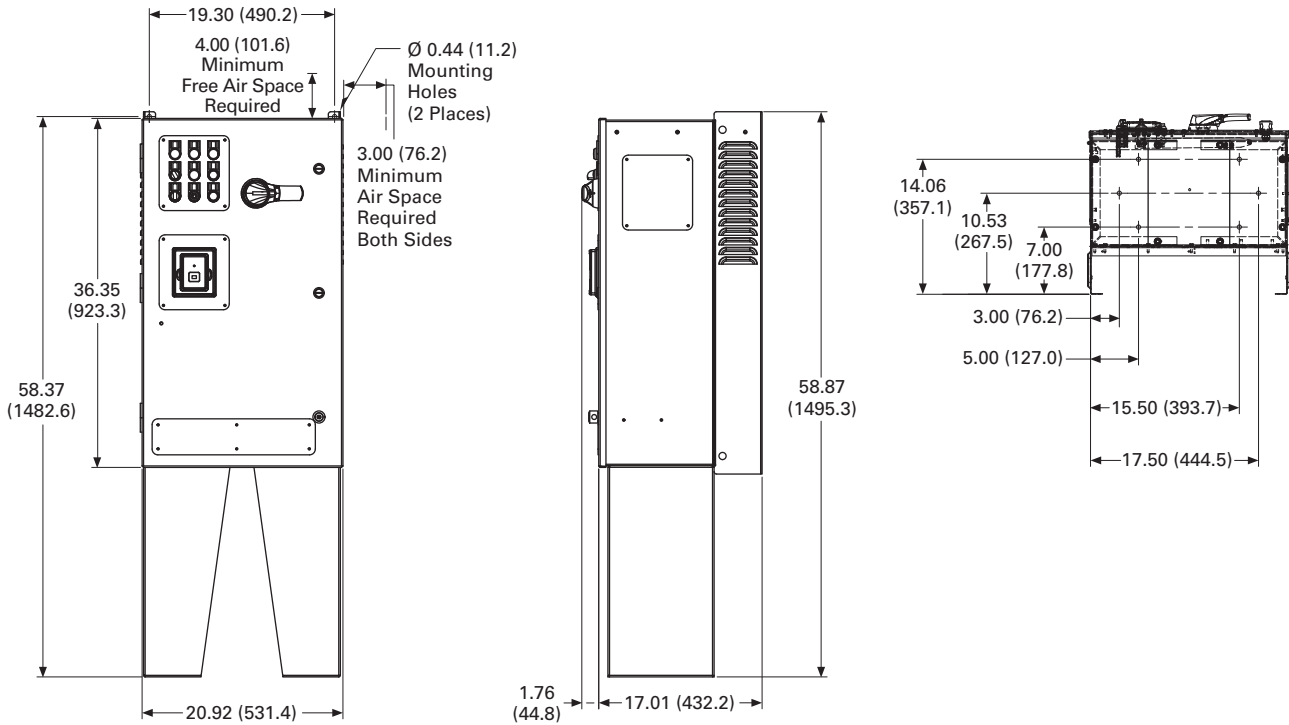
Adjustable Frequency Drives

SVX Drives

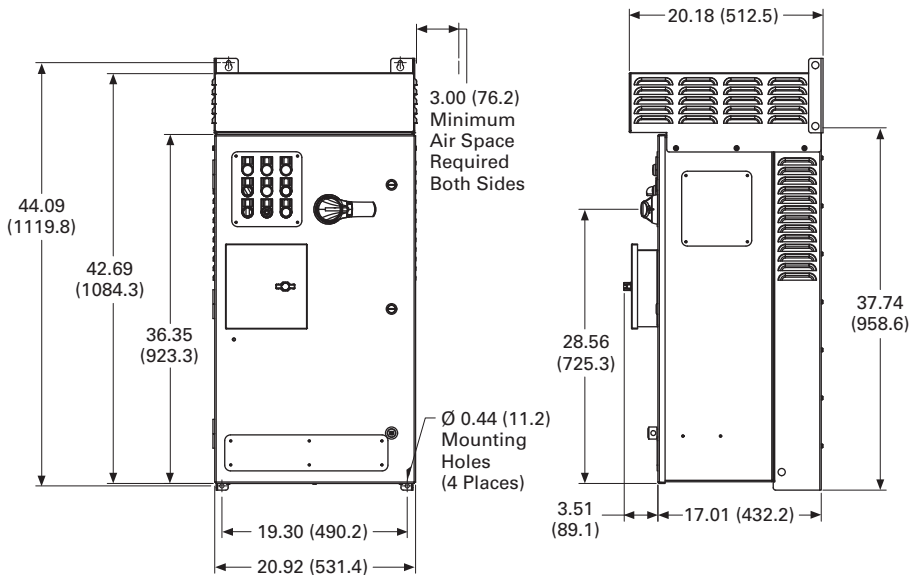
Approximate Dimensions in Inches (mm)

BX Box Type 12—22 Inch Floor Stands

2

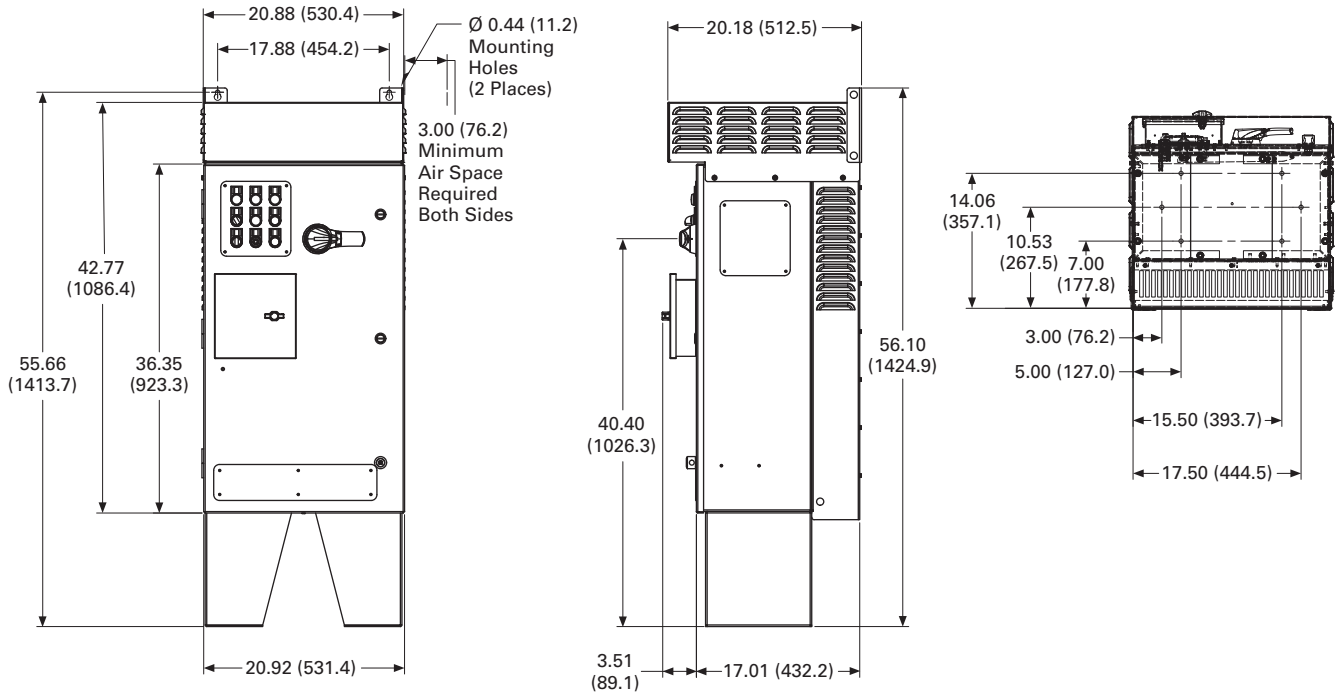


BX Box Type 3R

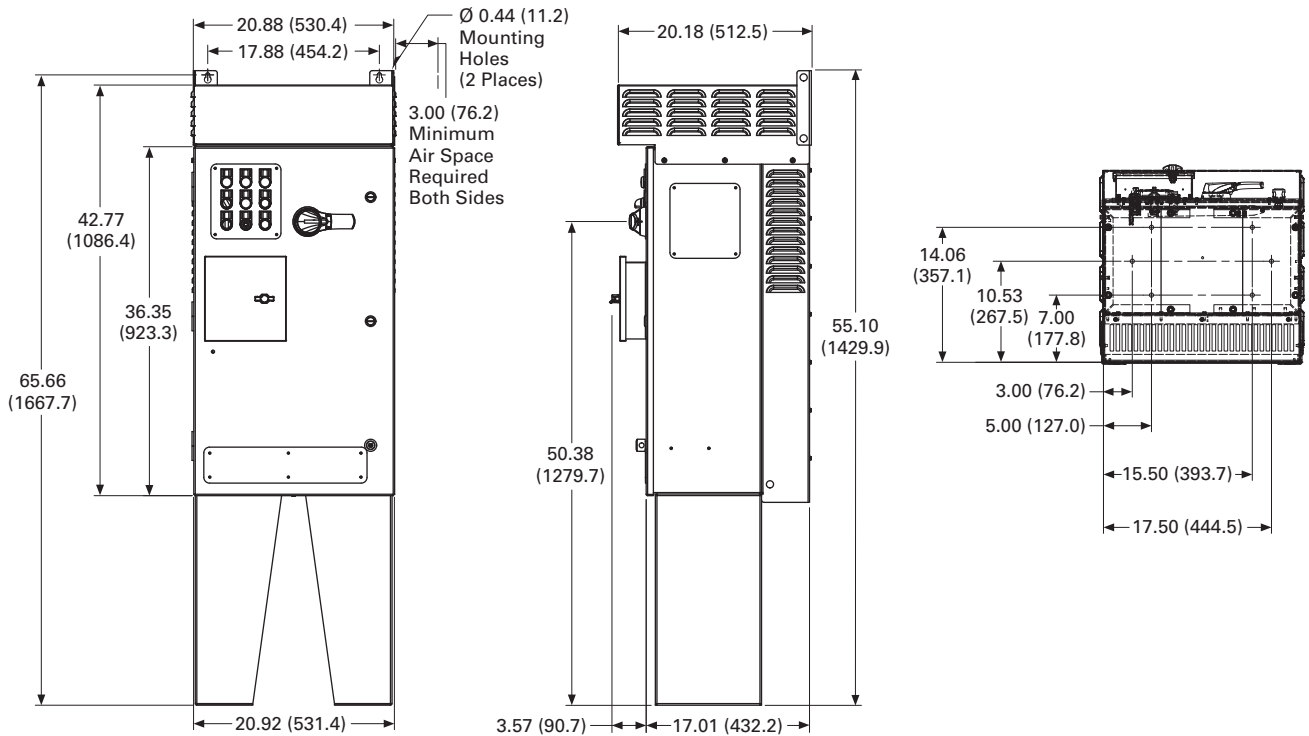


Approximate Dimensions in Inches (mm)

BX Box Type 3R—12 Inch Floor Stands



BX Box Type 3R—22 Inch Floor Stands



2.7

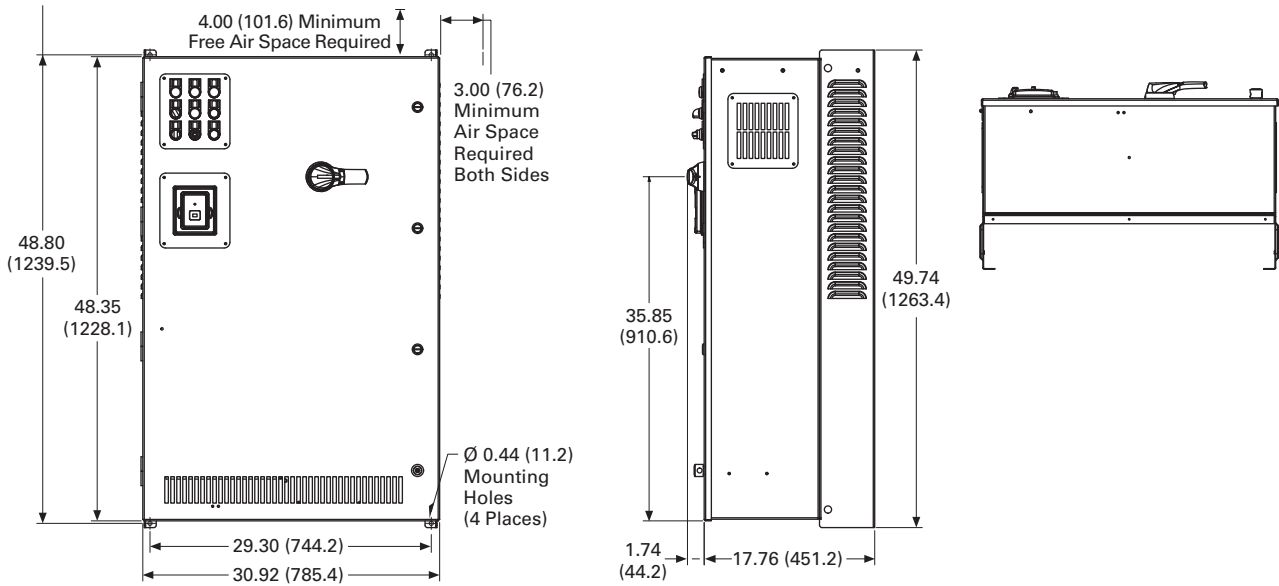
Adjustable Frequency Drives

SVX Drives

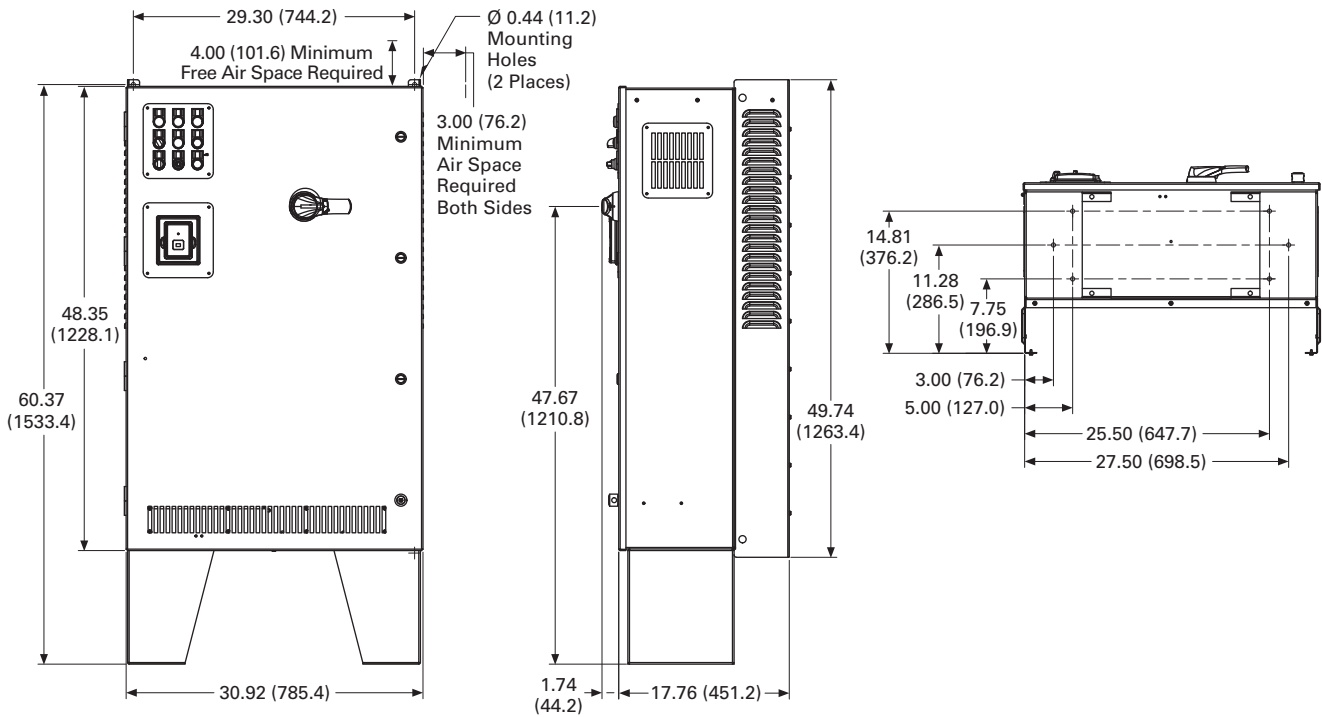
Approximate Dimensions in Inches (mm)

CX Box Type 1

2

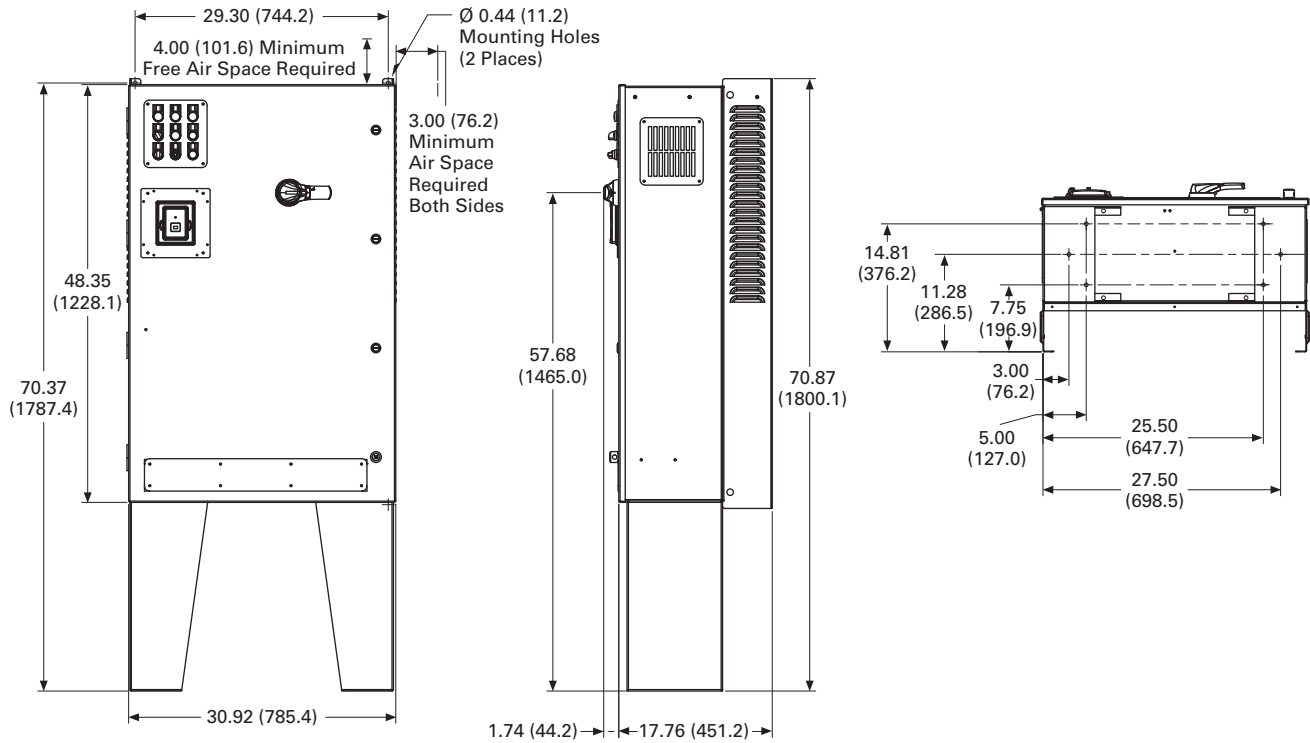


CX Box Type 1 – 12 Inch Floor Stands

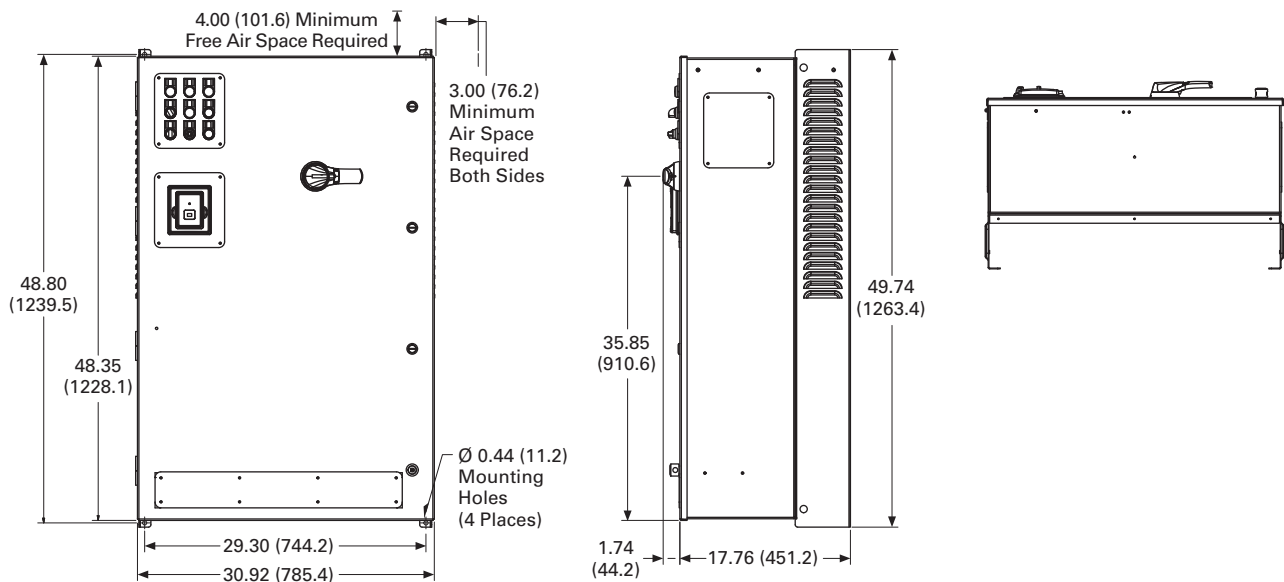


Approximate Dimensions in Inches (mm)

CX Box Type 1—22 Inch Floor Stands



CX Box Type 12



2.7

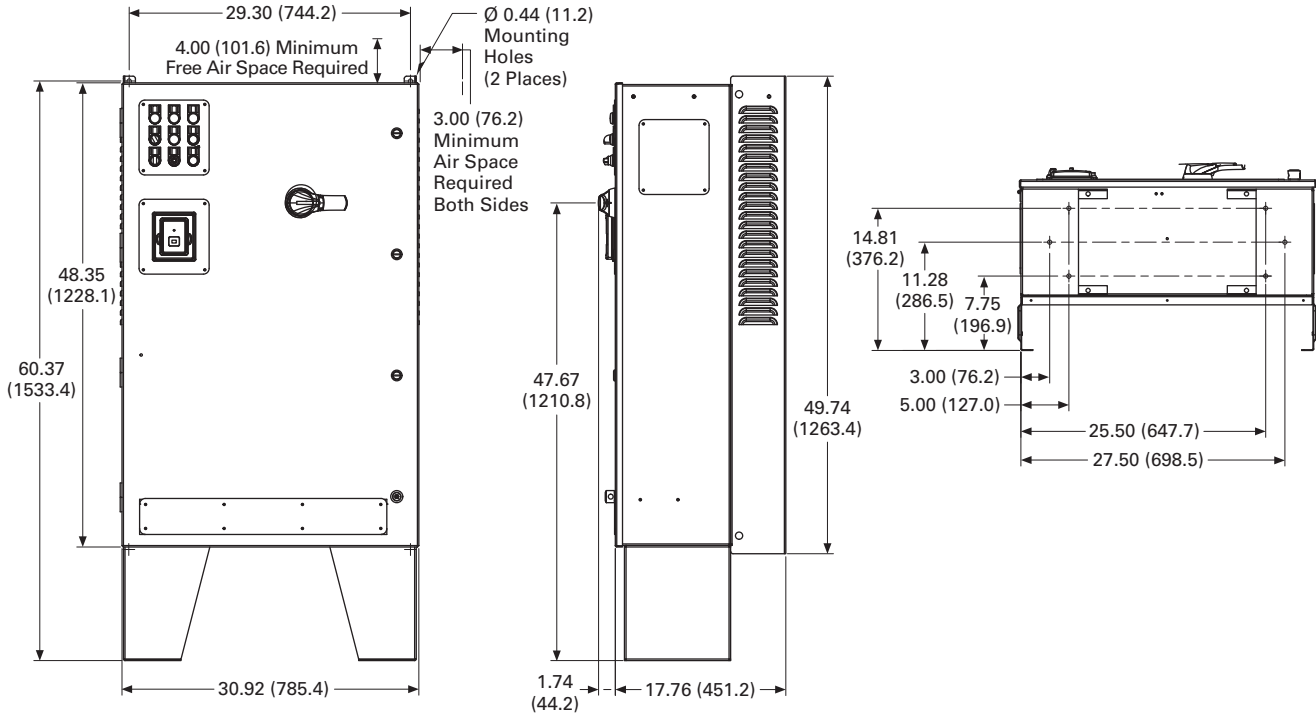
Adjustable Frequency Drives

SVX Drives

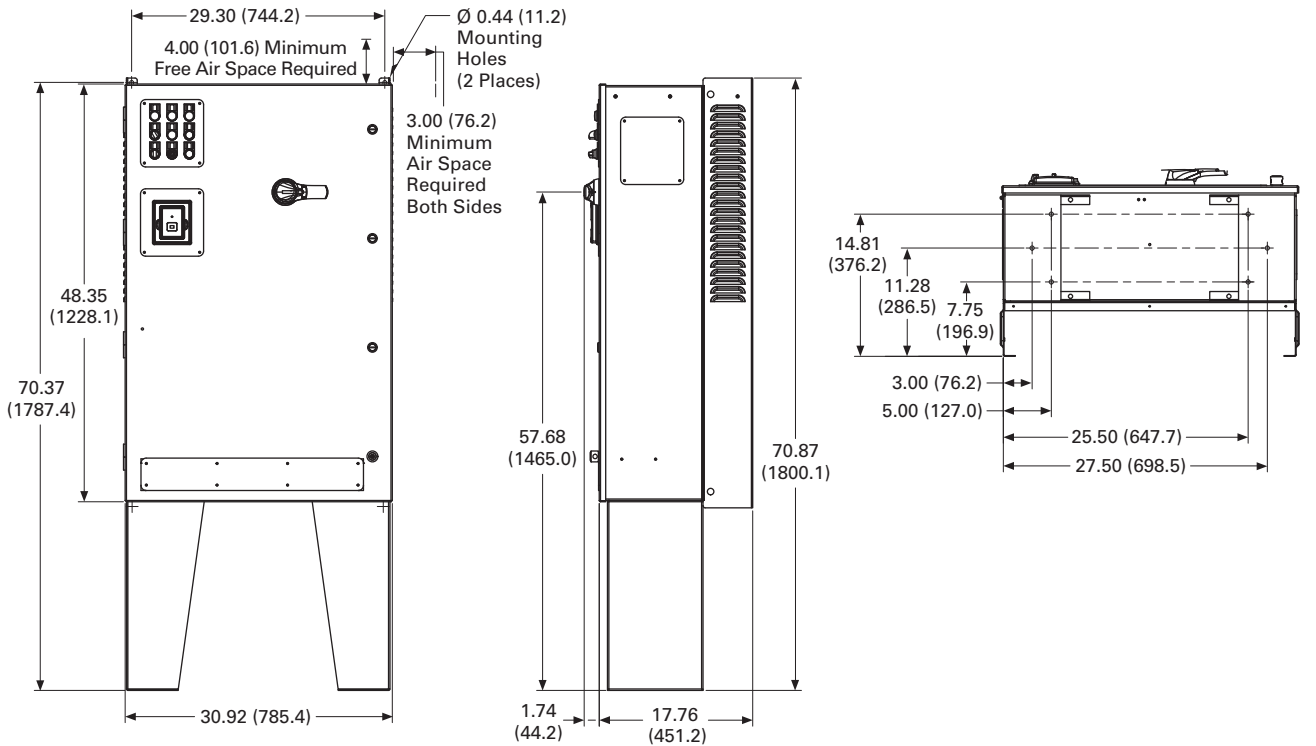
Approximate Dimensions in Inches (mm)

2

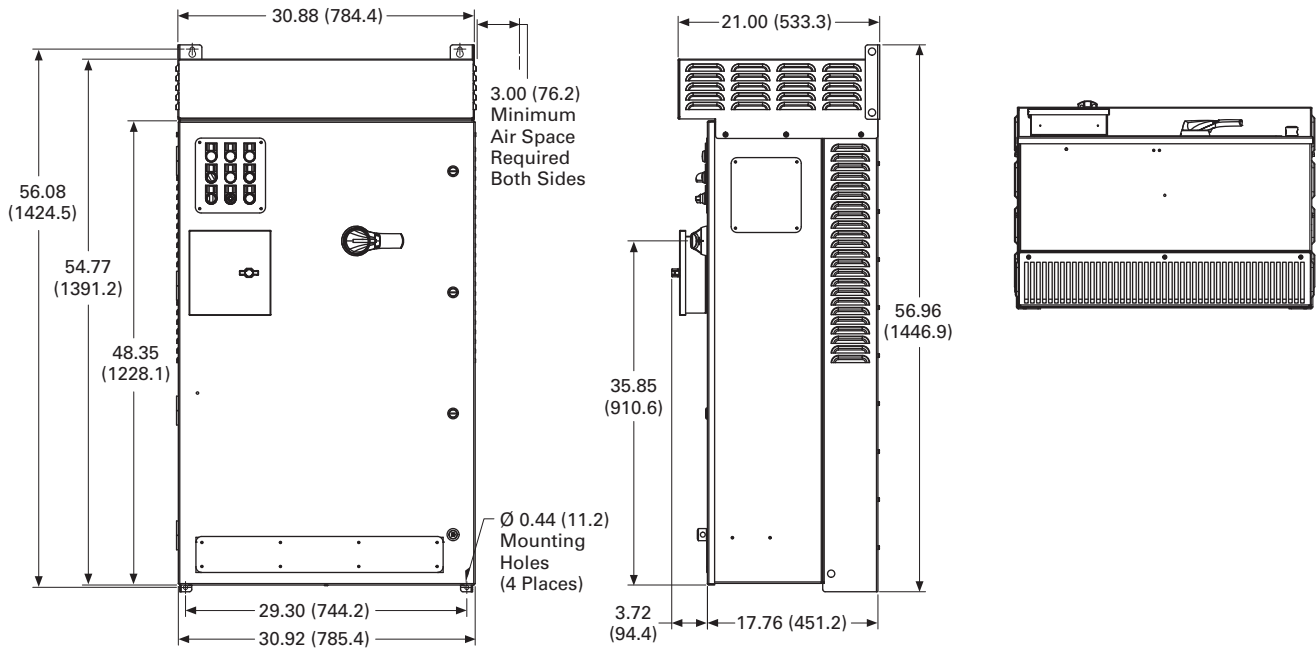
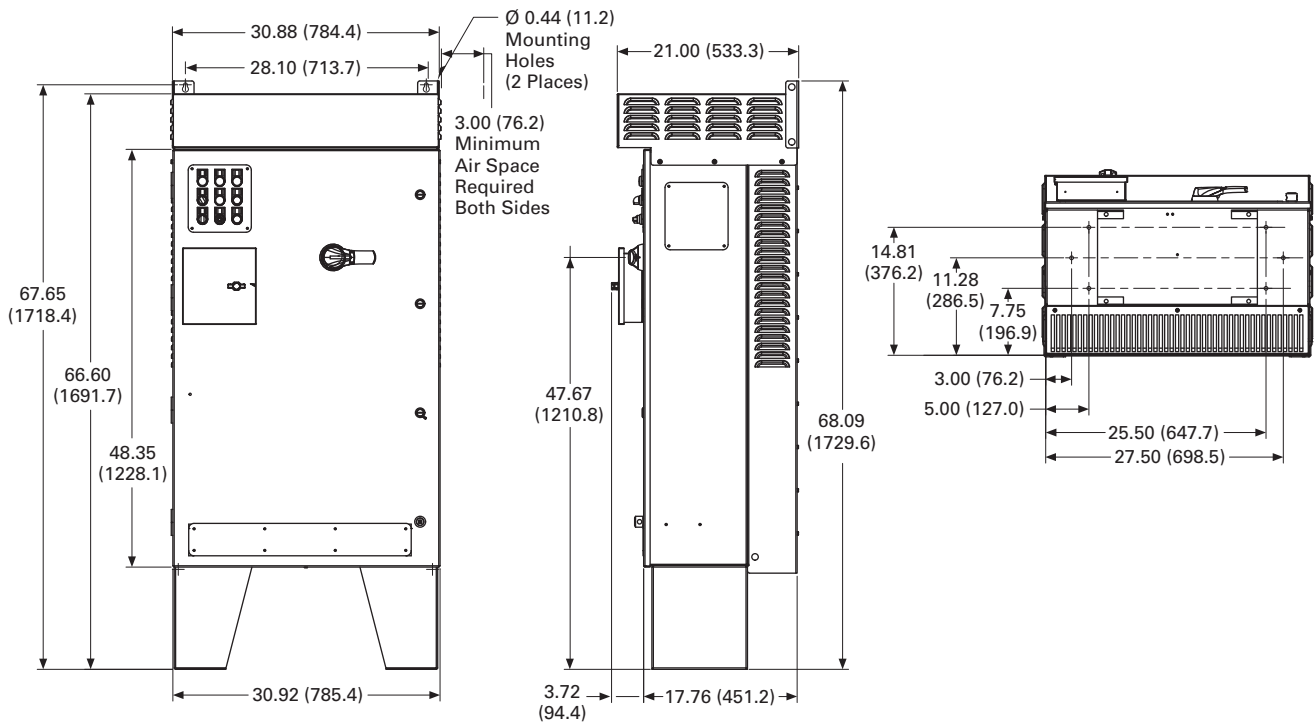
CX Box Type 12—12 Inch Floor Stands



CX Box Type 12—22 Inch Floor Stands



Approximate Dimensions in Inches (mm)

CX Box Type 3R**CX Box Type 3R—12 Inch Floor Stands**

2.7

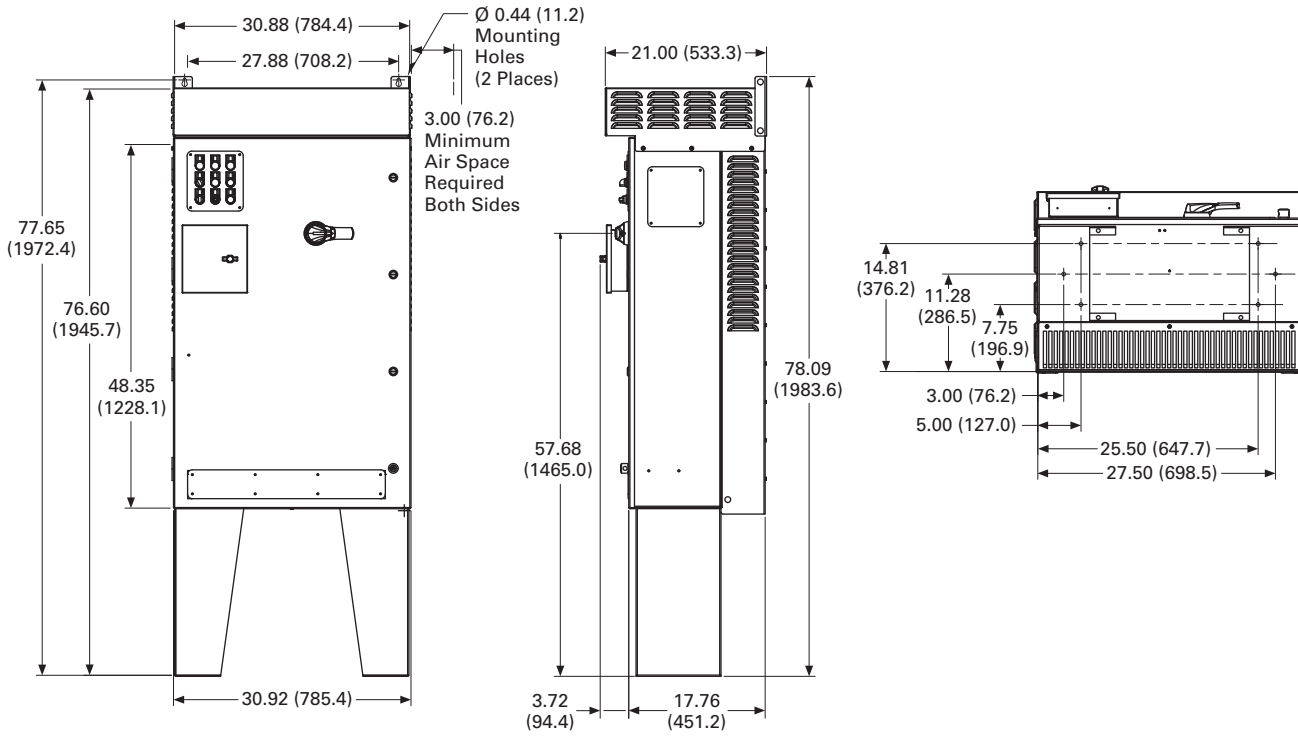
Adjustable Frequency Drives

SVX Drives

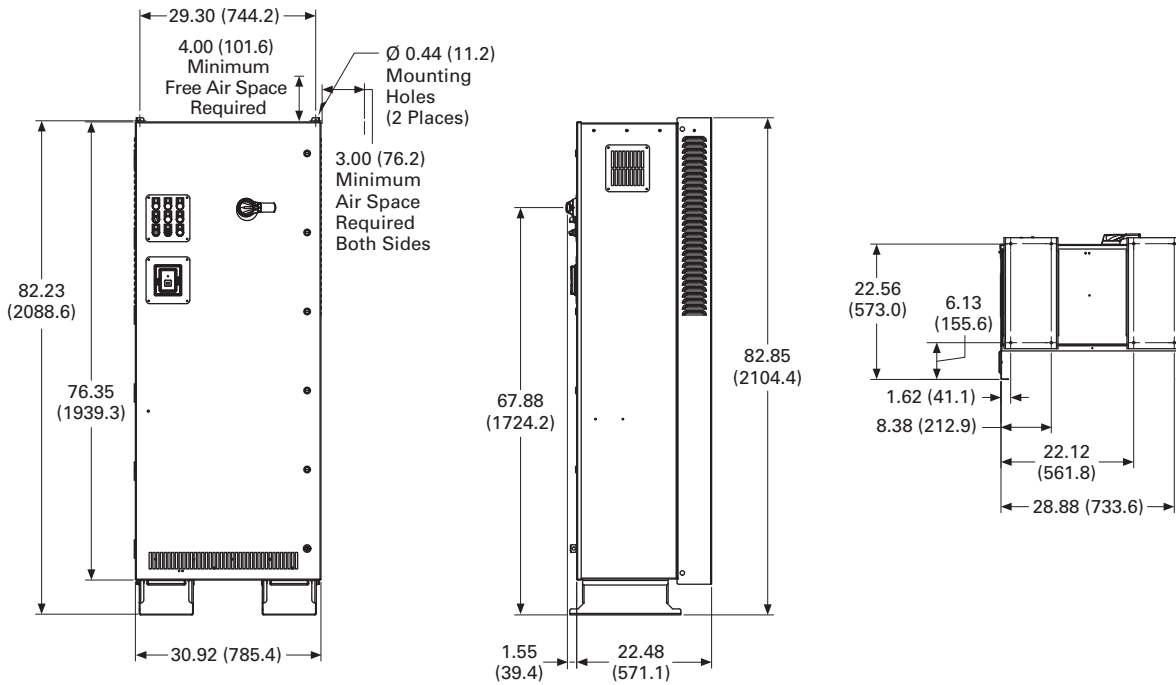
Approximate Dimensions in Inches (mm)

2

CX Box Type 3R—22 Inch Floor Stands

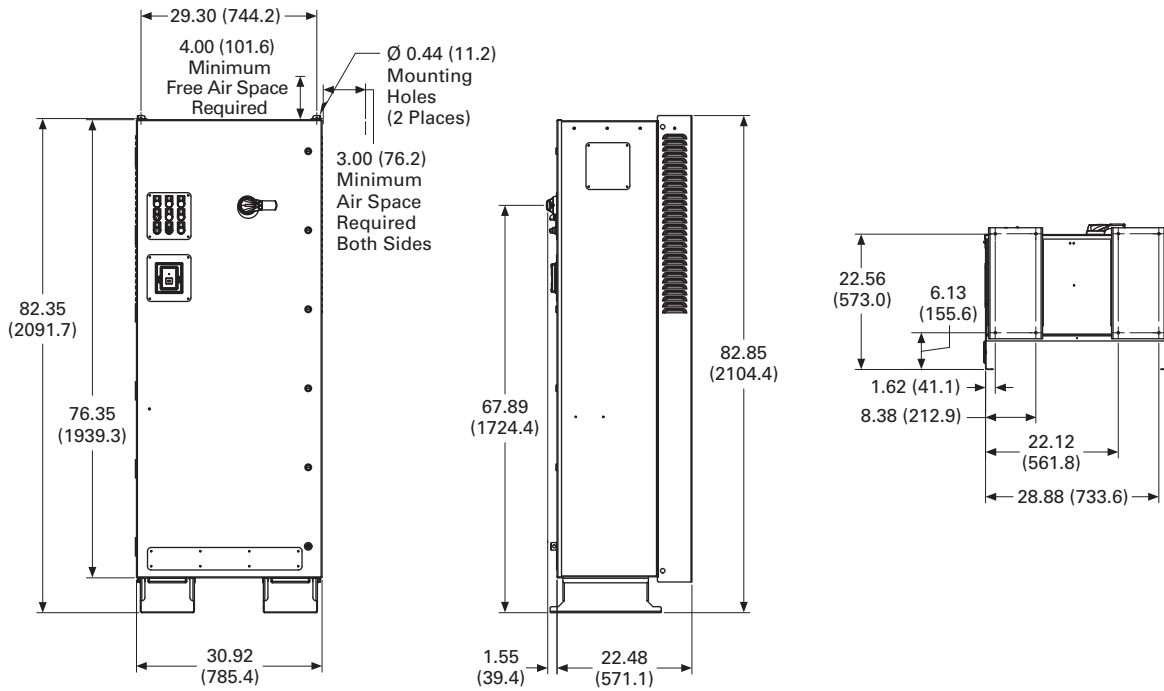


DX Box Type 1

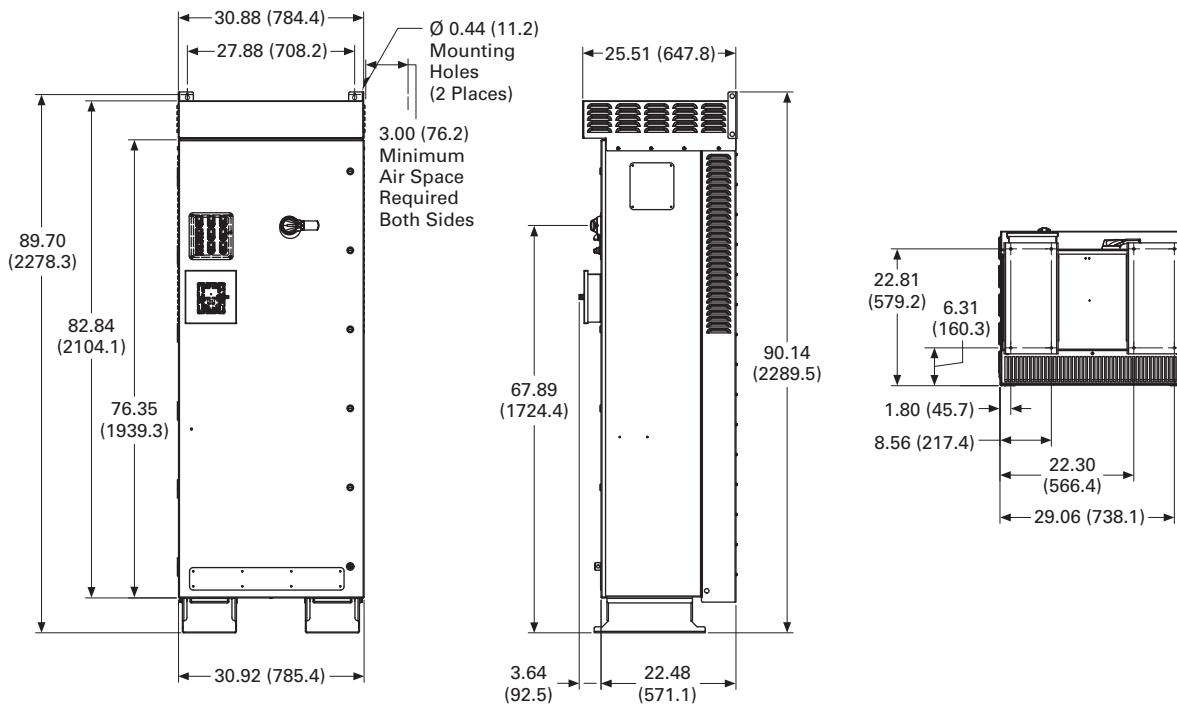


Approximate Dimensions in Inches (mm)

DX Box Type 12



DX Box Type 3R



2.7

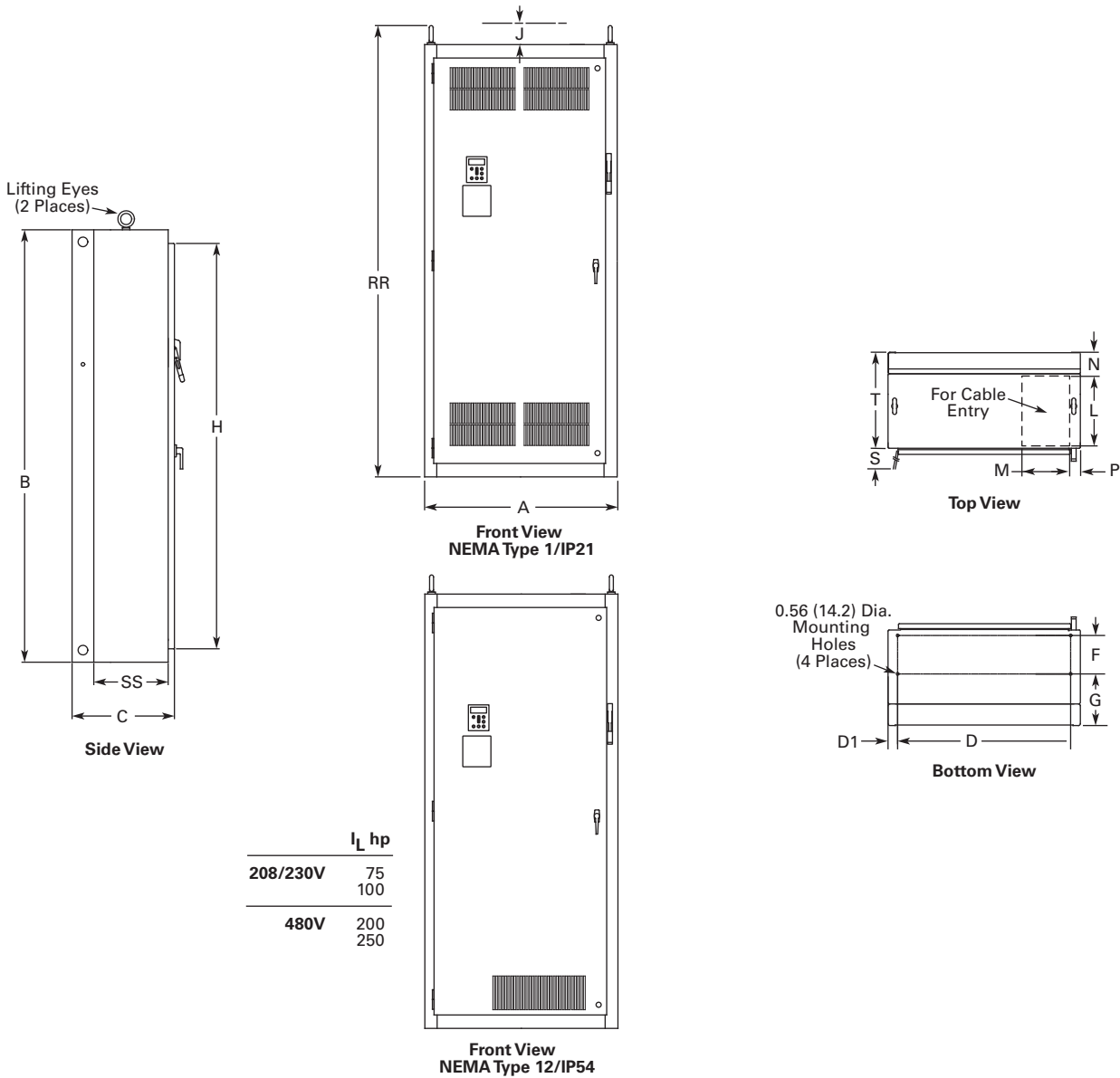
Adjustable Frequency Drives

SVX Drives

Approximate Dimensions in Inches (mm)

Size 5

2



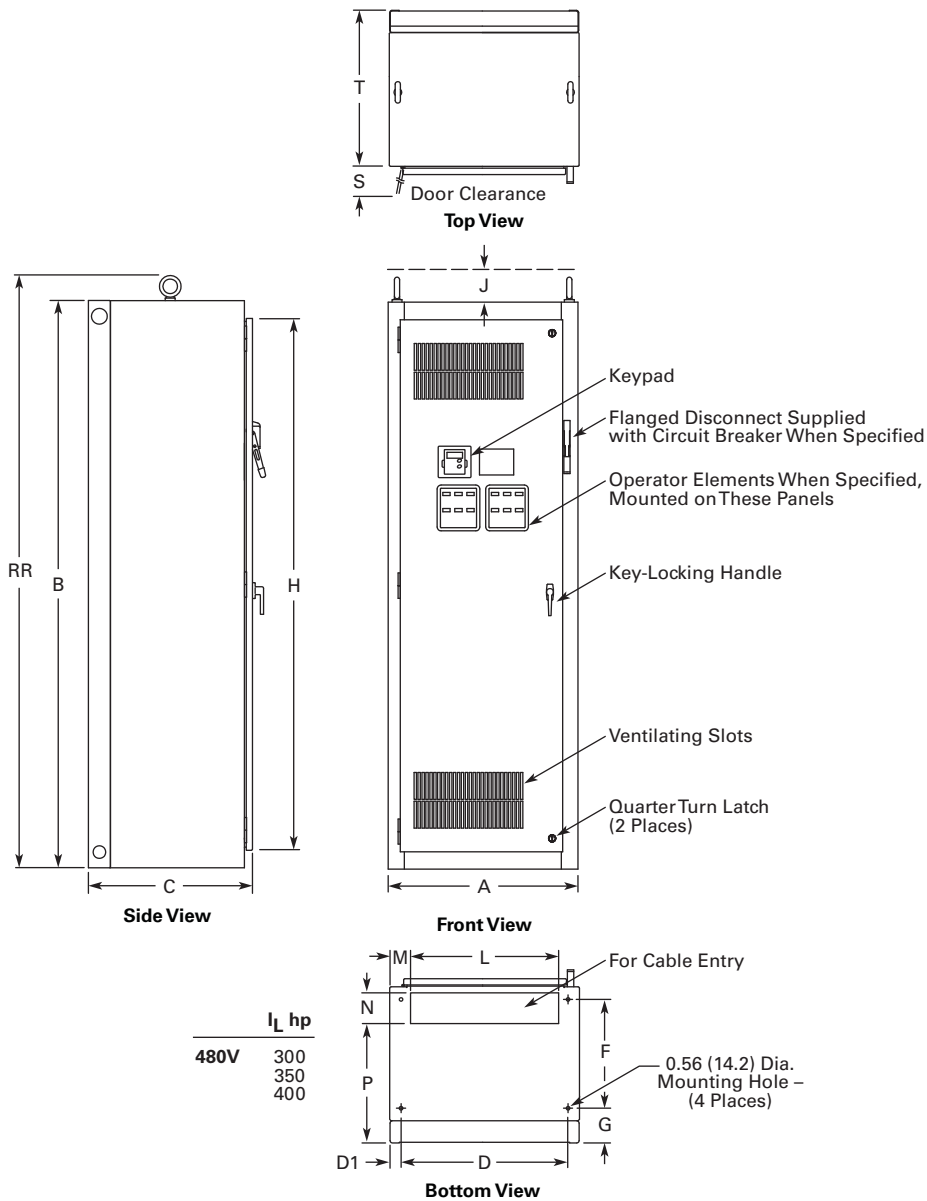
For reference only, dimensions are subject to change.

Wide	High	Deep	Mounting							Door Height	Min. Air Space	
A	B	C	D	D1	E	E1	F	G	G1	H	J	K
40.0 (1016)	90.0 (2286)	21.3 (541)	36.0 (914)	2.0 (51)	—	—	8.0 (203)	10.8 (273)	—	84.4 (2143)	4.0 (102)	—

Cable Entry		Door Clearance											Max. Approx. Shipping Weight		
L	M	N	P	R	S	T	U	V	W	RR	SS	TT	UU	VV	Lbs (kg)
15.0 (381)	10.0 (254)	4.8 (122)	2.0 (51)	—	36.3 (921)	20.0 (508)	—	—	—	94.0 (2387)	15.5 (394)	—	—	—	1275 (579)

Approximate Dimensions in Inches (mm)

Size 6



For reference only, dimensions are subject to change. See **Page V6-T2-145**, notes 3 and 5 for enclosure and option selection.

Wide	High	Deep	Mounting							Door Height	Min. Air Space	
A	B	C	D	D1	E	E1	F	G	G1	H	J	K
30.0 (762)	90.0 (2286)	26.0 (660)	26.5 (673)	1.8 (46)	—	—	17.3 (438)	5.5 (140)	—	84.4 (2143)	4.0 (102)	—

Cable Entry			Door Clearance										Max. Approx. Shipping Weight		
L	M	N	P	R	S	T	U	V	W	RR	SS	TT	UU	VV	Lbs (kg)
23.5 (597)	3.3 (84)	4.5 (114)	19.3 (490)	—	26.2 (667)	24.8 (629)	—	—	—	93.9 (2386)	—	—	—	—	1500 (681)

2.7

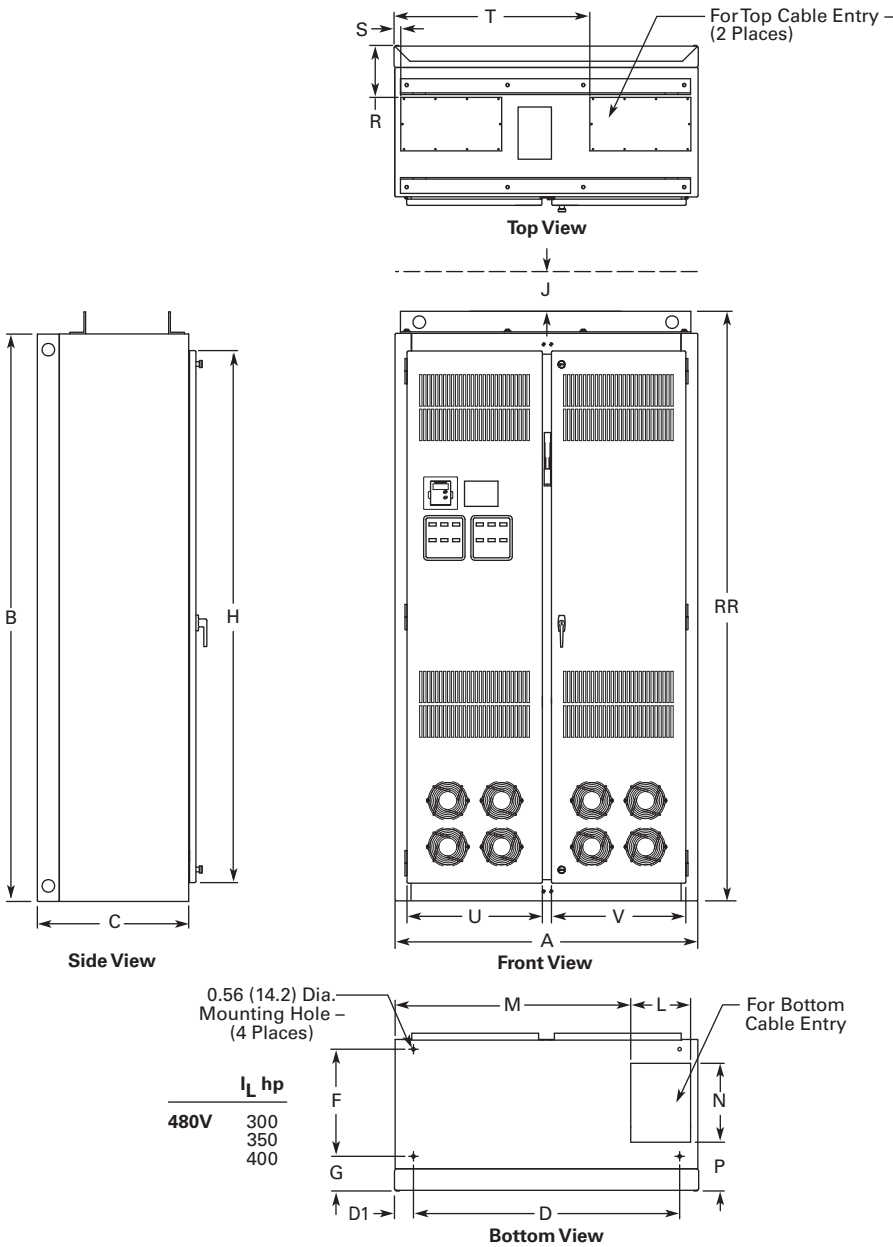
Adjustable Frequency Drives

SVX Drives

Approximate Dimensions in Inches (mm)

Size 8

2



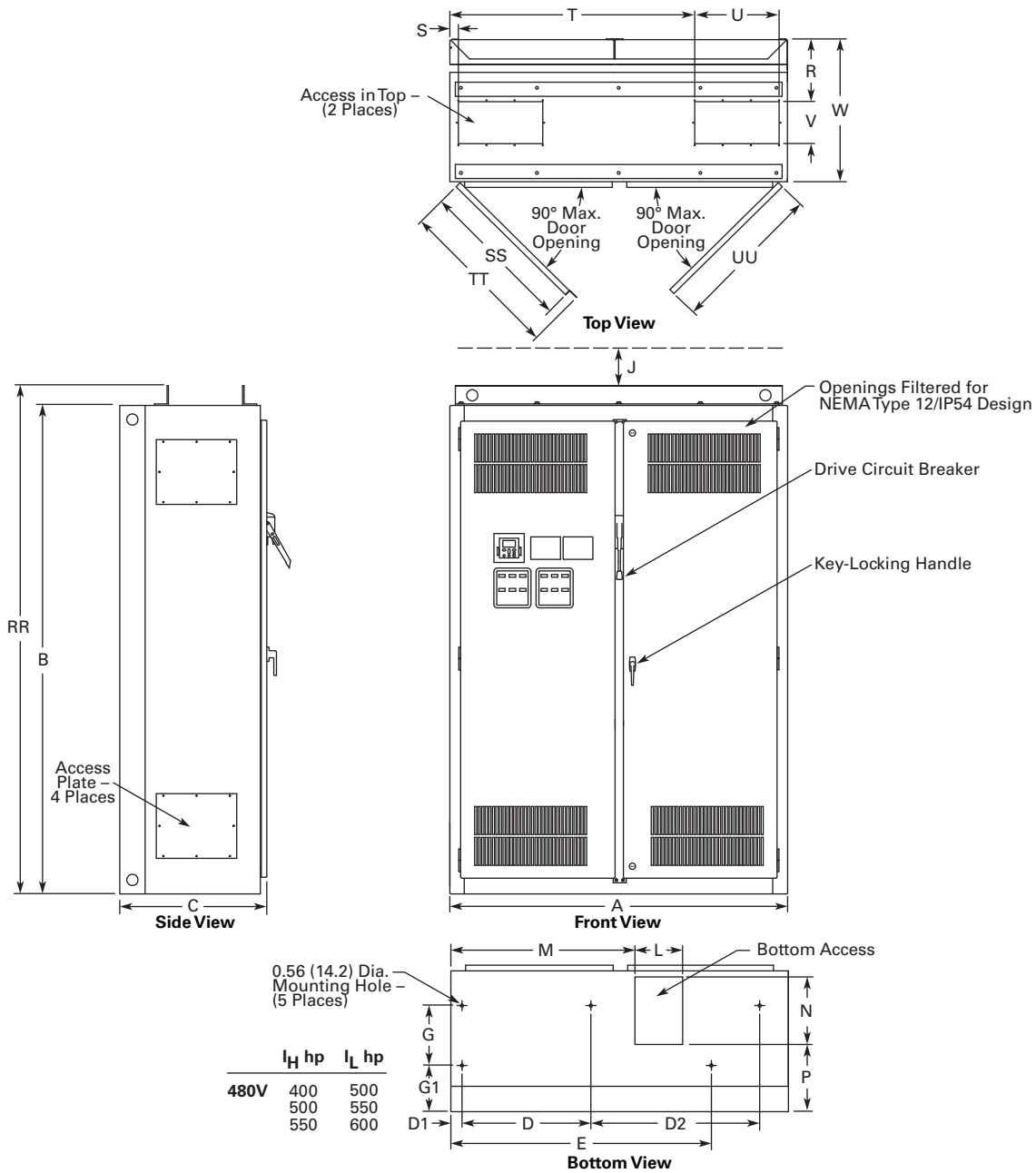
For reference only, dimensions are subject to change. See **Page V6-T2-145**, notes 3 and 5 for enclosure and option selection.

Wide A	High B	Deep C	Mounting		E	E1	F	G	G1	Door Height H	Min. Air Space J	K
48.0 (1219)	90.0 (2286)	24.0 (610)	42.2 (1072)	3.0 (77)	—	—	—	5.5 (139)	—	84.4 (2143)	4.0 (102)	—

Cable Entry														Max. Approx. Shipping Weight Lbs (kg)	
L	M	N	P	R	S	T	U	V	W	RR	SS	TT	UU	VV	
9.5 (241)	37.5 (952)	12.5 (318)	7.7 (196)	8.3 (210)	1.3 (32)	31.0 (787)	21.5 (545)	21.3 (541)	—	93.5 (2375)	—	—	—	—	2000 (908)

Approximate Dimensions in Inches (mm)

Size 9



For reference only, dimensions are subject to change. See **Page V6-T2-145**, notes 3 and 5 for enclosure and option selection.

Wide A	High B	Deep C	Mounting D		D1	E	E1	F	G	G1	Door Height H	Min. Air Space J	K
60.0 (1524)	90.0 (2286)	26.1 (664)	22.9 (582)	2.0 (51)	2.0 (51)	30.0 (762)	44.3 (1125)	10.6 (270)	10.6 (270)	8.2 (208)	—	4.0 (102)	—

Cable Entry															Max. Approx. Shipping Weight Lbs (kg)
L	M	N	P	R	S	T	U	V	W	RR	SS	TT	UU	VV	
8.5 (216)	32.7 (831)	12.0 (305)	11.9 (303)	9.8 (249)	1.5 (38)	43.5 (1105)	15.0 (381)	7.5 (191)	25.0 (635)	93.5 (2375)	27.4 (696)	290.1 (738)	270.1 (687)	—	2500 (1135)

2.7

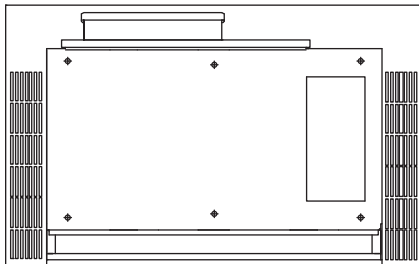
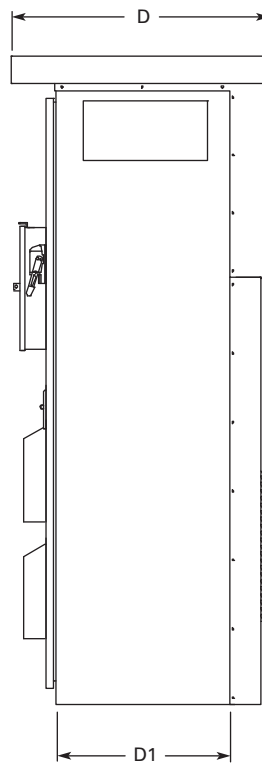
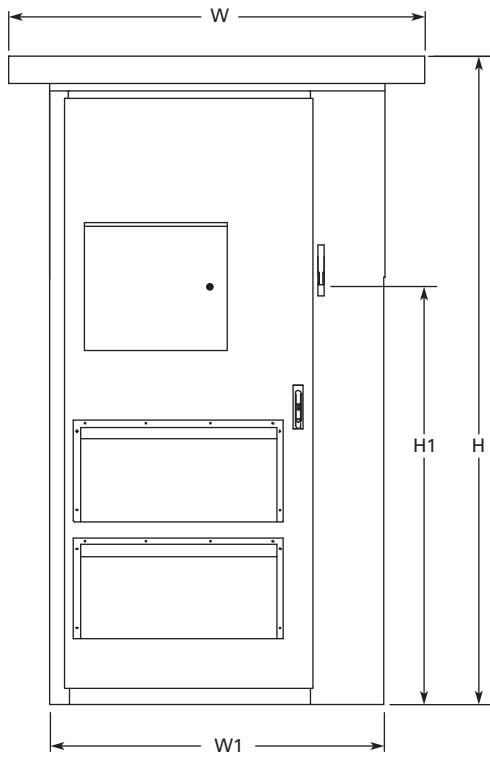
Adjustable Frequency Drives

SVX Drives

Approximate Dimensions in Inches (mm)

Enclosure Size F

2



H	H1	W	W1	D	D1	Approximate Weight Lbs (kg)	Approximate Shipping Weight Lbs (kg)
93.58 (2376.9)	69.51 (1765.60)	60.00 (1524.0)	48.00 (1219.2)	37.50 (952.5)	26.00 (660.4)	1700 (771)	1850 (839)

DH1 HVAC/R Drive



Contents

Description

Description	Page
PowerXL DH1 Series Drives	
Standards and Certifications	V6-T2-176
Catalog Number Selection	V6-T2-176
Product Selection	V6-T2-177
Accessories	V6-T2-180
Replacement Parts	V6-T2-186
Technical Data and Specifications	V6-T2-189
Dimensions	V6-T2-194
PowerXL DH1 Series Enclosed Drives	V6-T2-195

PowerXL DH1 Series Drives

Product Description

The DH1 HVAC/R drives are part of Eaton's next generation PowerXL Series of adjustable frequency drives specifically engineered for today's demanding HVAC/R market. The power unit makes use of the most sophisticated semiconductor technology and a highly modular construction that can be flexibly adapted to meet the customer's needs.

The control module was designed to include today's standard HVAC/R communication protocols and I/O while still having the modularity to add additional option cards.

Eaton's patented Active Energy Control is also a standard feature on DH1 drives, offering customers increased efficiency, safety and reliability.

These drives continue the tradition of robust performance and raise the bar on features and functionality, ensuring the best solution at the right price.

Product Range

230 V to 125 hp, 312 A, 90 kW

480 V to 250 hp, 310 A, 160 kW

575 V to 250 hp, 250 A, 187 kW

Features and Benefits

Hardware

- Integrated common mode reduction 5% DC link choke with input surge protection
- Variable torque rated for HVAC/R demands
- 110% variable torque (1L)
- Type 1/IP21 and Type 12/IP54 enclosures available
- Real-time clock—supports calendaring and PLC functionality
- Graphic LCD display and keypad—supports simple menu navigation as well as on-screen diagnostics and troubleshooting
- AUTO operation from keypad and two configurable soft keys
- Conformal coated control and power boards standard

- Control logic can be powered from an external auxiliary control panel—internal drive functions and fieldbus if necessary
- Standard I/O:
 - 8DI, 1DO
 - 2AI, 2AO
 - 2FC, 1FA relays
- Standard communications:
 - BACnet/IP, Modbus TCP, Modbus RTU, BACnet MS/TP
- Two expansion slots—intended to support additional I/O or communication protocols as necessary
- Quick disconnect terminals for I/O connections—supports fast, easy installation

Software

- Active Energy Control—minimizes energy losses in the motor, resulting in industry-leading energy efficiency for your application
- Energy savings calculator
- Quick Start Wizard upon initial power-up supports fast, easy installation
- Standard applications:
 - Standard
 - Multi-PID
 - Advanced
- Copy/paste functionality on drive keypad—allows for fast setup of multiple drives
- Pre-programmed I/O—supports fast, easy installation for most applications
- Dynamic motor regenerative energy management
- Advanced PC Tool with diagnostic capabilities
- Two keypad software keys for easy menu navigation and shortcuts

2.8

Adjustable Frequency Drives

PowerXL DH1 Series Drives

2

Standards and Certifications

Product

- IEC/EN 61800-5-1
- IEC/EN 61800-5-2
- UL 508C
- IEC 61508
- EN 62061
- EN ISO 13849-1

EMC

- Immunity: IEC/EN 61800-3
- Category C2

Certification

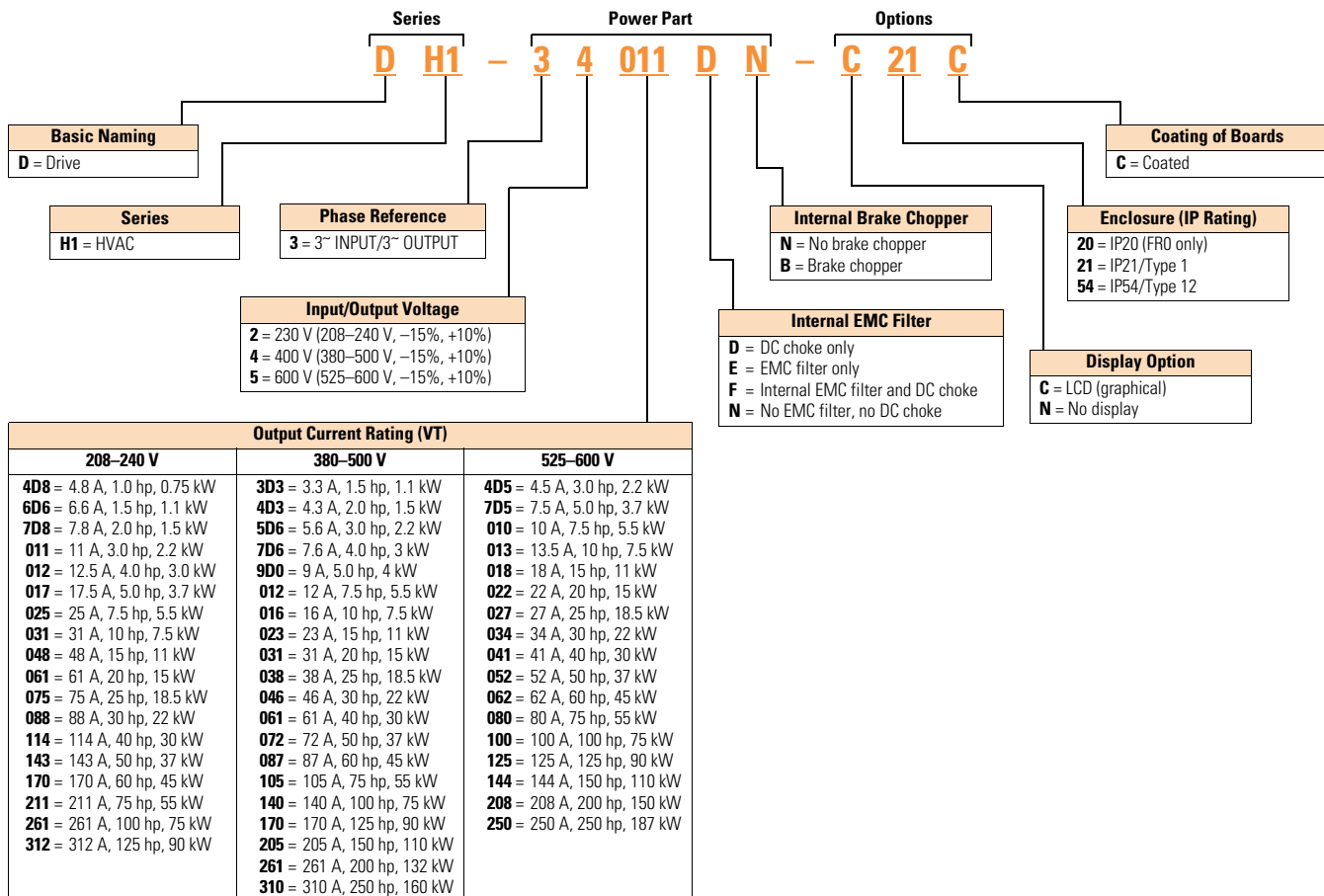
- UL
- cUL
- CE
- C-Tick
- RoHS
- Plenum rated



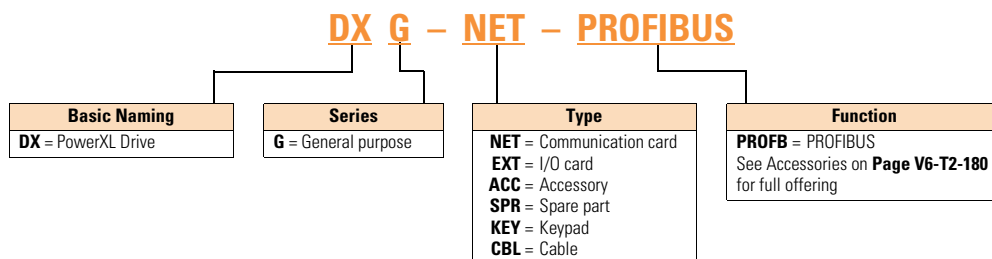
Catalog Number Selection

Catalog Number Selection is for illustrative purposes only and not to be used to create new catalog numbers.

PowerXL Series—DH1 HVAC/R Drive



PowerXL Series—DH1 HVAC/R Drive Option Boards



Product Selection

DH1 Series Drives—208–240 Volt

PowerXL Series—DH1 Type 1/IP21



Frame Size	Variable Torque (VT) / Low Overload (I _L)			Catalog Number
	230 V, 50 Hz kW Rating	230 V, 60 Hz hp	Current A	
FR0	0.75	1	4.8	DH1-324D8EB-C20C ①
	1.1	1.5	6.6	DH1-326D6EB-C20C ①
	1.5	2	7.8	DH1-327D8EB-C20C ①
FR1	0.75	1	4.8	DH1-324D8DN-C21C
	1.1	1.5	6.6	DH1-326D6DN-C21C
	1.5	2	7.8	DH1-327D8DN-C21C
	2.2	3	11	DH1-32011DN-C21C
	3	—	12.5	DH1-32012DN-C21C
FR2	3.7	5	17.5	DH1-32017DN-C21C
	5.5	7.5	25	DH1-32025DN-C21C
	7.5	10	31	DH1-32031DN-C21C
FR3	11	15	48	DH1-32048DN-C21C
	15	20	61	DH1-32061DN-C21C
FR4	18.5	25	75	DH1-32075DN-C21C
	22	30	88	DH1-32088DN-C21C
	30	40	114	DH1-32114DN-C21C
FR5	37	50	143	DH1-32143DN-C21C
	45	60	170	DH1-32170DN-C21C
	55	75	211	DH1-32211DN-C21C
FR6	75	100	261	DH1-32261FN-C21C
	90	125	312	DH1-32312FN-C21C

PowerXL Series—DH1 Type 12/IP54



Frame Size	Variable Torque (VT) / Low Overload (I _L)			Catalog Number
	230 V, 50 Hz kW Rating	230 V, 60 Hz hp	Current A	
FR1	0.75	1	4.8	DH1-324D8DN-C54C
	1.1	1.5	6.6	DH1-326D6DN-C54C
	1.5	2	7.8	DH1-327D8DN-C54C
	2.2	3	11	DH1-32011DN-C54C
	3	—	12.5	DH1-32012DN-C54C
FR2	3.7	5	17.5	DH1-32017DN-C54C
	5.5	7.5	25	DH1-32025DN-C54C
	7.5	10	31	DH1-32031DN-C54C
FR3	11	15	48	DH1-32048DN-C54C
	15	20	61	DH1-32061DN-C54C
FR4	18.5	25	75	DH1-32075DN-C54C
	22	30	88	DH1-32088DN-C54C
	30	40	114	DH1-32114DN-C54C
FR5	37	50	143	DH1-32143DN-C54C
	45	60	170	DH1-32170DN-C54C
	55	75	211	DH1-32211DN-C54C
FR6	75	100	261	DH1-32261FN-C54C
	90	125	312	DH1-32312FN-C54C

Note

① IP20 FR0 will be available in June 2018.

DH1 Series Drives—380–500 Volt

2

PowerXL Series—DH1 Type 1/IP21



Frame Size	Variable Torque (VT) / Low Overload (I _L)			Catalog Number
	400 V, 50 Hz kW Rating	460 V, 60 Hz hp	Current A	
FR0	1.1	1.5	3.3	DH1-343D3EB-C20C ①
	1.5	2	4.6	DH1-344D3EB-C20C ①
	2.2	3	5.6	DH1-345D6EB-C20C ①
	3	5	7.6	DH1-347D6EB-C20C ①
FR1	1.1	1.5	3.3	DH1-343D3DN-C21C
	1.5	2	4.3	DH1-344D3DN-C21C
	2.2	3	5.6	DH1-345D6DN-C21C
	3	5	7.6	DH1-347D6DN-C21C
	4	—	9	DH1-349D0DN-C21C
FR2	5.5	7.5	12	DH1-34012DN-C21C
	7.5	10	16	DH1-34016DN-C21C
	11	15	23	DH1-34023DN-C21C
FR3	15	20	31	DH1-34031DN-C21C
	18.5	25	38	DH1-34038DN-C21C
	22	30	46	DH1-34046DN-C21C
FR4	30	40	61	DH1-34061DN-C21C
	37	50	72	DH1-34072DN-C21C
	45	60	87	DH1-34087DN-C21C
FR5	55	75	105	DH1-34105DN-C21C
	75	100	140	DH1-34140DN-C21C
	90	125	170	DH1-34170DN-C21C
FR6	110	150	205	DH1-34205DN-C21C
	132	200	261	DH1-34261FN-C21C
	160	250	310	DH1-34310FN-C21C

PowerXL Series—DH1 Type 12/IP54



Frame Size	Variable Torque (VT) / Low Overload (I _L)			Catalog Number
	400 V, 50 Hz kW Rating	460 V, 60 Hz hp	Current A	
FR1	1.1	1.5	3.3	DH1-343D3DN-C54C
	1.5	2	4.3	DH1-344D3DN-C54C
	2.2	3	5.6	DH1-345D6DN-C54C
	3	5	7.6	DH1-347D6DN-C54C
	4	—	9	DH1-349D0DN-C54C
FR2	5.5	7.5	12	DH1-34012DN-C54C
	7.5	10	16	DH1-34016DN-C54C
	11	15	23	DH1-34023DN-C54C
FR3	15	20	31	DH1-34031DN-C54C
	18.5	25	38	DH1-34038DN-C54C
	22	30	46	DH1-34046DN-C54C
FR4	30	40	61	DH1-34061DN-C54C
	37	50	72	DH1-34072DN-C54C
	45	60	87	DH1-34087DN-C54C
FR5	55	75	105	DH1-34105DN-C54C
	75	100	140	DH1-34140DN-C54C
	90	125	170	DH1-34170DN-C54C
FR6	110	150	205	DH1-34205DN-C54C
	132	200	261	DH1-34261FN-C54C
	160	250	310	DH1-34310FN-C54C

Note

① IP20 FR0 will be available in June 2018.

DH1 Series Drives—575 Volt**PowerXL Series—DH1 Type 1/IP21**

Frame Size	Variable Torque (VT) / Low Overload (I _L)			Catalog Number
	575 V, 60 Hz kW Rating	575 V, 60 Hz hp	Current A	
FR1	2.2	3	4.5	DH1-354D5FB-C21C
	3.7	5	7.5	DH1-357D5FB-C21C
	5.5	7.5	10	DH1-35010FB-C21C
FR2	7.5	10	13.5	DH1-35013FB-C21C
	11	15	18	DH1-35018FB-C21C
	15	20	22	DH1-35022FB-C21C
FR3	18.5	25	27	DH1-35027FB-C21C
	22	30	34	DH1-35034FB-C21C
	30	40	41	DH1-35041FB-C21C
FR4	37	50	52	DH1-35052FN-C21C
	45	60	62	DH1-35062FN-C21C
	55	75	80	DH1-35080FN-C21C
FR5	75	100	100	DH1-35100FN-C21C
	90	125	125	DH1-35125FN-C21C
	110	150	144	DH1-35144FN-C21C
FR6	150	200	208	DH1-35208FN-C21C
	187	250	250	DH1-35250FN-C21C

PowerXL Series—DH1 Type 12/IP54

Frame Size	Variable Torque (VT) / Low Overload (I _L)			Catalog Number
	575 V, 60 Hz kW Rating	575 V, 60 Hz hp	Current A	
FR1	2.2	3	4.5	DH1-354D5FB-C54C
	3.7	5	7.5	DH1-357D5FB-C54C
	5.5	7.5	10	DH1-35010FB-C54C
FR2	7.5	10	13.5	DH1-35013FB-C54C
	11	15	18	DH1-35018FB-C54C
	15	20	22	DH1-35022FB-C54C
FR3	18.5	25	27	DH1-35027FB-C54C
	22	30	34	DH1-35034FB-C54C
	30	40	41	DH1-35041FB-C54C
FR4	37	50	52	DH1-35052FN-C54C
	45	60	62	DH1-35062FN-C54C
	55	75	80	DH1-35080FN-C54C
FR5	75	100	100	DH1-35100FN-C54C
	90	125	125	DH1-35125FN-C54C
	110	150	144	DH1-35144FN-C54C
FR6	150	200	208	DH1-35208FN-C54C
	187	250	250	DH1-35250FN-C54C

Accessories

The PowerXL Series—DH1 drives can accommodate a wide selection of expander and adapter option boards to customize the drive for your application needs. The drive's control unit is designed to accept a total of two additional option boards.

The PowerXL Series—DH1 drives come with a factory-installed standard board configuration including the following:

- Standard I/O:
 - 8DI, 1DO
 - 2AI, 2AO
 - 2FC, 1FA relays
- Standard communications:
 - BACnet MS/TP, BACnet/IP
 - Modbus TCP, Modbus RTU

PowerXL Series—DH1 I/O Card Kits

Description	Catalog Number
3 x DI, 3 x DO, 1 x thermistor, 24 Vdc/EXT option card	DXG-EXT-3DI3DO1T
1 x AI, 2 x AO (isolated to control board) option card	DXG-EXT-1AI2AO
3 x relay dry contact (2NO + 1NO/NC) option card	DXG-EXT-3R0
3 x PT100 RTD thermistor input option card	DXG-EXT-THER1
6 x DI 240 Vac input option card	DXG-EXT-6DI

PowerXL Series—DH1 Communication Card Kits

Description	Catalog Number
PROFIBUS-DP communication card	DXG-NET-PROFB
PROFIBUS DB9 to 5-pin adapter card	DXG-NET-PROAD

PowerXL Series—DH1 Keypad Kits

Description	Catalog Number
Standard keypad	DXH-KEY-LCD
Remote keypad kit (IP 54 rated keypad holder and 3 m cable)	DXG-KEY-RMTKIT
1 m remote keypad cable	DXG-CBL-1M0
3 m remote keypad cable	DXG-CBL-3M0
Remote keypad mounting holder only	DXG-KEY-HOLDER
Type 12/IP54 keypad hole plug (maintain rating without keypad)	DXG-KEY-N12PLUG

PowerXL Series—DH1 Conversion and Flange Kits

The Type 12/IP54 option kit is used to convert a Type 1/IP21 to a Type 12/IP54 drive. The kit includes cover, fan and grommets.

Type 12/IP54 Conversion Kits ^①

Description	Catalog Number
Frame 1 230 V Type 12/IP54 kit	DXH-ACC-2FR1N12KIT
Frame 1 480 V Type 12/IP54 kit	DXH-ACC-4FR1N12KIT
Frame 2 Type 12/IP54 kit	DXH-ACC-FR2N12KIT

The flange kit is used when the power section heat sink is mounted through the back panel of an enclosure. The kit includes hardware, top flange plate, bottom flange plate and two side flange plates.

Flange Kits

Description	Catalog Number
Frame 1 flange kit Type 12/IP54	DXG-ACC-FR1N12FK
Frame 2 flange kit Type 12/IP54	DXG-ACC-FR2N12FK
Frame 3 flange kit Type 12/IP54	DXG-ACC-FR3N12FK
Frame 4 flange kit Type 12/IP54	DXG-ACC-FR4N12FK
Frame 5 flange kit Type 12/IP54	DXG-ACC-FR5N12FK
Frame 6 flange kit Type 12/IP54	DXG-ACC-FR6N12FK

PowerXL Series—DH1 Demo Unit

Demo Unit

Description	Catalog Number
DH1 control module demo stand	DH1-DEMO1

Note

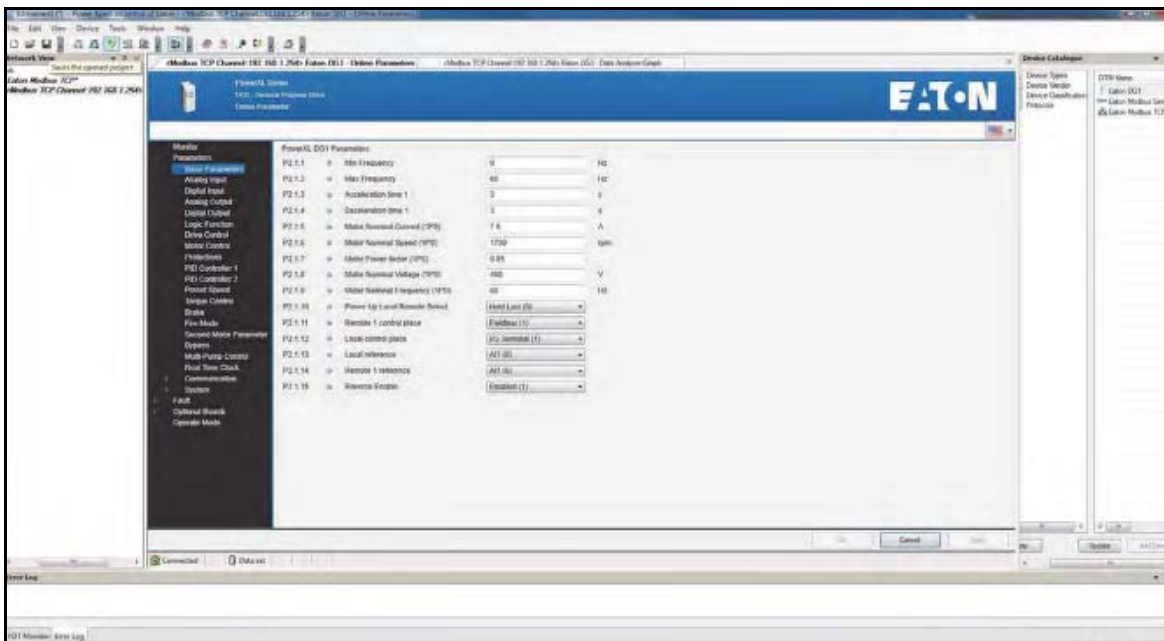
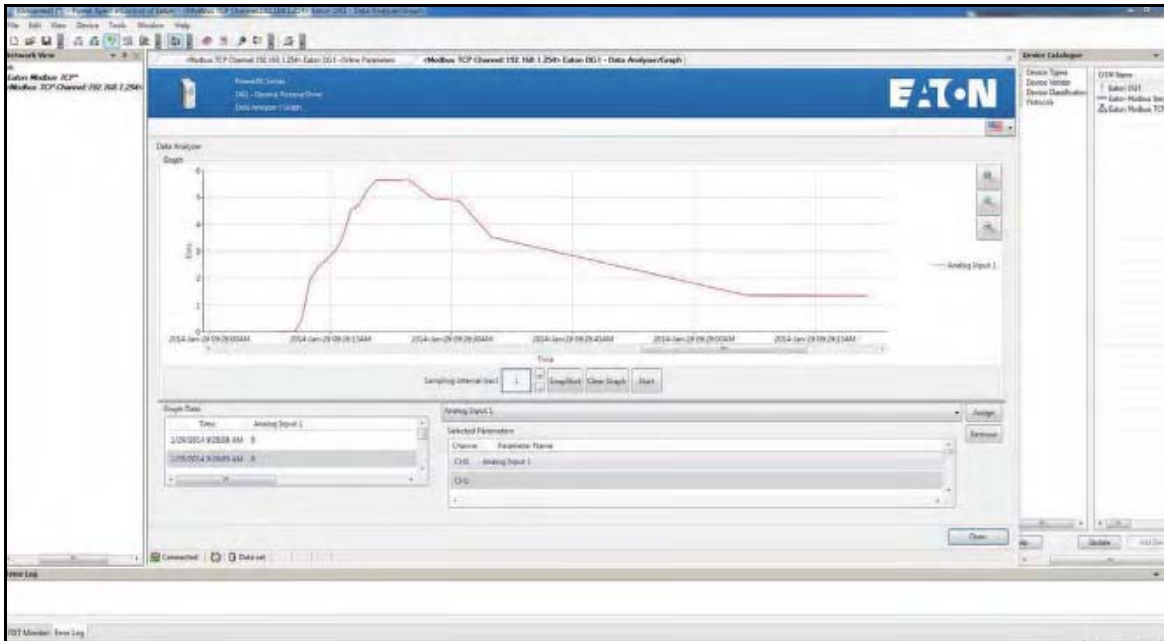
^① NEMA 12 DH1 drives from W34 are available within 3 business days.

Power Xpert *inControl* Software

The PowerXL Series PC Tool is designed for programming, controlling and monitoring of the DH1 drives. Features include loading parameters that can be saved to a file or printed, setting references, starting and stopping the motor, monitoring signals in graphical or text form, and real-time display.

PowerXpert *inControl* Software

Description	Catalog Number
Software cable (USB to keypad [RJ45])	DXG-CBL-PCCABLE
Real-time clock battery (approximately 10,000 hours life)	DXG-ACC-RTBATT



2.8

Adjustable Frequency Drives

PowerXL DH1 Series Drives

2

Brake Chopper Options

The brake chopper circuit option is used for applications that require dynamic braking. Dynamic braking resistors are not included with drive purchase. Consult the factory for additional dynamic braking resistor selections that are supplied separately. A list of common resistors are listed below and are complete indoor assemblies, include a pre-wired terminal block and a thermal switch, and are not UL Listed.

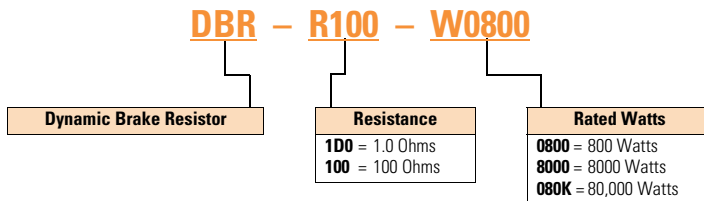
Duty Cycle

The duty cycle rating is based on a 60-second period. For example, the 20% duty cycle resistor can carry 100% current for 12 seconds out of every 60 seconds, while the 50% duty cycle resistor can carry 150% current for 30 seconds out of every 60 seconds.

Torque

If the braking torque required is less than 15%, dynamic braking is not required because the regenerated energy will be dissipated in the drive and motor losses.

Dynamic Brake Resistor—Catalog Number Selection



230 V Brake Resistors

Drive hp (CT/HP)	Minimum Ohms	20% Duty Cycle, 100% Torque		50% Duty Cycle, 150% Torque	
		Catalog Number	Dimensions	Catalog Number	Dimensions
0.75	15.0	DBR-R100-W0400	12W x 5D x 5H	DBR-R100-W0800	12W x 7D x 5H
1	15.0	DBR-R100-W0400	12W x 5D x 5H	DBR-R100-W0800	12W x 7D x 5H
1.5	15.0	DBR-R100-W0400	12W x 5D x 5H	DBR-R036-W1200	12W x 10D x 5H
2	15.0	DBR-R100-W0400	12W x 5D x 5H	DBR-R036-W1200	12W x 10D x 5H
3	15.0	DBR-R036-W0800	12W x 7D x 5H	DBR-R036-W2000	12W x 16D x 5H
4	9.0	DBR-R036-W0800	12W x 7D x 5H	DBR-R012-W2400	19W x 10D x 5H
5	9.0	DBR-R036-W0800	12W x 7D x 5H	DBR-R020-W2800	19W x 13D x 5H
7.5	9.0	DBR-R020-W1200	12W x 10D x 5H	DBR-R012-W4800	26.5W x 10D x 5H
10	7.0	DBR-R015-W1600	12W x 13D x 5H	DBR-R112-W6000	26.5W x 13D x 5H
15	7.0	DBR-R012-W2400	19W x 10D x 5H	DBR-R7D8-W9000	28W x 10D x 10H
20	2.0	DBR-R9D3-W3200	19W x 10D x 5H	DBR-R3D4-W012K	28W x 10D x 10H
25	2.0	DBR-R5D5-W4000	26.5W x 10D x 5H	DBR-R5D1-W015K	28W x 16D x 10H
30	2.0	DBR-R4D8-W4800	26.5W x 10D x 5H	DBR-R4D1-W020K	28W x 16D x 10H
40	2.0	DBR-R004-W6000	26.5W x 13D x 5H	DBR-R3D4-W025K	30W x 18D x 16H
50	2.0	DBR-R3D1-W7500	26.5W x 16D x 5H	DBR-R2D1-W030K	30W x 18D x 24H
60	2.0	DBR-R2D8-W9000	26.5W x 16D x 5H	DBR-R002-W036K	30W x 18D x 24H
75	2.0	DBR-R2D6-W012K	28W x 10D x 10H	DBR-R002-W045K	30W x 18D x 32H
100	2.0	DBR-R002-W015K	28W x 16D x 10H	DBR-R002-W060K	30W x 18D x 48H

480 V Brake Resistors

Drive hp (CT/Hz)	Minimum Ohms	20% Duty Cycle, 100% Torque	
		Catalog Number	Dimensions
1	36.0	DBR-R100-W0400	12W x 5D x 5H
1.5	36.0	DBR-R100-W0400	12W x 5D x 5H
2	36.0	DBR-R100-W0400	12W x 5D x 5H
3	36.0	DBR-R100-W0800	12W x 7D x 5H
5	36.0	DBR-R100-W0800	12W x 7D x 5H
6	36.0	DBR-R100-W1200	12W x 10D x 5H
7.5	18.0	DBR-R100-W1200	12W x 10D x 5H
10	18.0	DBR-R063-W1600	12W x 13D x 5H
15	18.0	DBR-R030-W2400	19W x 10D x 5H
20	13.0	DBR-R030-W3200	19W x 13D x 5H
25	13.0	DBR-R030-W4000	19W x 16D x 5H
30	13.0	DBR-R020-W4800	26.5W x 13D x 5H
40	2.0	DBR-R112-W6000	26.5W x 13D x 5H
50	2.0	DBR-R013-W7500	26.5W x 16D x 5H
60	2.0	DBR-R010-W9000	28W x 10D x 10H
75	2.0	DBR-R009-W012K	28W x 13D x 10H
100	2.0	DBR-R5D1-W015K	28W x 16D x 10H
125	2.0	DBR-R4D1-W020K	28W x 16D x 10H
150	2.0	DBR-R3D4-W025K	30W x 18D x 16H
200	2.0	DBR-R3D3-W030K	30W x 18D x 24H

50% Duty Cycle, 150% Torque	
Catalog Number	Dimensions
DBR-R100-W0800	12W x 7D x 5H
DBR-R100-W1200	12W x 10D x 5H
DBR-R100-W1200	12W x 10D x 5H
DBR-R100-W2000	12W x 16D x 5H
DBR-R100-W2800	19W x 13D x 5H
DBR-R070-W4000	19W x 16D x 5H
DBR-R020-W4800	26.5W x 13D x 5H
DBR-R030-W6000	26.5W x 16D x 5H
DBR-R030-W9000	28W x 10D x 10H
DBR-R023-W012K	28W x 13D x 10H
DBR-R013-W015K	28W x 16D x 10H
DBR-R014-W020K	30W x 18D x 24H
DBR-R007-W025K	30W x 18D x 16H
DBR-R8D5-W030K	30W x 18D x 24H
DBR-R7D3-W036K	30W x 18D x 24H
DBR-R002-W045K	30W x 18D x 32H
DBR-R004-W060K	30W x 18D x 40H
DBR-R004-W070K	30W x 18D x 48H
DBR-R3D5-W085K	30W x 18D x 56H
DBR-R2D6-W110K	30W x 18D x 64H

575 V Brake Resistors

Drive hp (CT/Hz)	Minimum Ohms	20% Duty Cycle, 100% Torque	
		Catalog Number	Dimensions
2	100.0	DBR-R100-W0400	12W x 5D x 5H
3	100.0	DBR-R100-W0800	12W x 7D x 5H
4	100.0	DBR-R100-W0800	12W x 7D x 5H
5	100.0	DBR-R100-W0800	12W x 7D x 5H
7.5	100.0	DBR-R100-W1200	12W x 10D x 5H
10	30.0	DBR-R063-W1600	12W x 13D x 5H
15	30.0	DBR-R042-W2400	19W x 10D x 5H
20	30.0	DBR-R030-W3200	19W x 13D x 5H
25	30.0	DBR-R030-W4000	19W x 16D x 5H
30	18.0	DBR-R020-W4800	26.5W x 13D x 5H
40	18.0	DBR-R030-W6000	26.5W x 16D x 5H
50	9.0	DBR-R013-W7500	26.5W x 16D x 5H
60	9.0	DBR-R010-W9000	28W x 10D x 10H
75	9.0	DBR-R009-W012K	28W x 13D x 10H
100	7.0	DBR-R013-W015K	28W x 16D x 10H
125	7.0	DBR-R8D2-W020K	30W x 18D x 10H
150	7.0	DBR-R007-W025K	30W x 18D x 16H
200	2.5	DBR-R3D3-W030K	30W x 18D x 24H

50% Duty Cycle, 150% Torque	
Catalog Number	Dimensions
DBR-R100-W1200	12W x 10D x 5H
DBR-R100-W2000	12W x 16D x 5H
DBR-R100-W2400	19W x 10D x 5H
DBR-R100-W2800	19W x 13D x 5H
DBR-R100-W4800	26.5W x 13D x 5H
DBR-R063-W6000	26.5W x 16D x 5H
DBR-R042-W9000	28W x 10D x 10H
DBR-R030-W012K	28W x 13D x 10H
DBR-R030-W015K	28W x 16D x 10H
DBR-R020-W020K	30W x 18D x 16H
DBR-R184-W025K	30W x 18D x 16H
DBR-R012-W030K	30W x 18D x 24H
DBR-R010-W036K	30W x 18D x 24H
DBR-R009-W045K	30W x 18D x 24H
DBR-R8D4-W060K	30W x 18D x 40H
DBR-R007-W070K	30W x 18D x 40H
DBR-R006-W085K	30W x 18D x 56H
DBR-R2D6-W110K	30W x 18D x 64H

2.8

Adjustable Frequency Drives

PowerXL DH1 Series Drives

2

Line and Load Reactors

A line and load reactor is a three-phase inductance filter that can be placed on the line and load side of the AFD to help improve the harmonic performance of the system. Consult the factory for additional filtering options and further technical details.

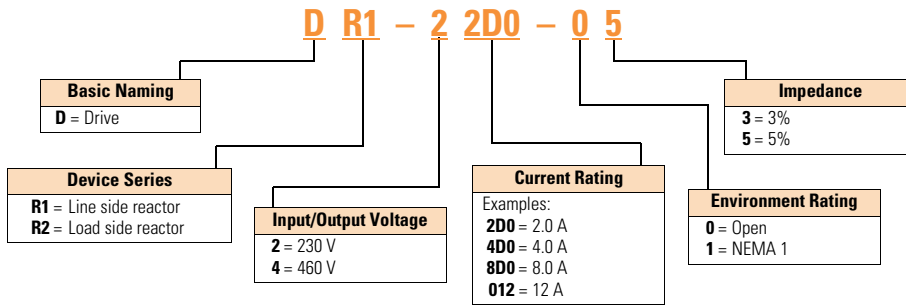
DR1 Line Reactor

A line reactor helps to provide a moderate reduction in current harmonics similar to a DC choke. It also provides increased input protection for AFD and its semiconductors from line transients helping to extend the life of the AFD.

DR2 Output Reactor

An output filter is used to reduce the transient voltage (dV/dt) at the motor terminals. The output filter is recommended for cable lengths exceeding 100 ft (30 m) with a drive of 3 hp and above and for cable lengths of 33 ft (10 m) with a drive of 2 hp and below.

Line and Load Reactors—Catalog Number Selection



Line and Load Reactors—230 V

hp (CT)	Open Line Reactor		Load Reactor		NEMA 1 Line Reactor		Load Reactor	
	3%	5%	3%	5%	3%	5%	3%	5%
0.75	DR1-23D2-03	DR1-23D2-05	DR2-24D0-03	DR2-24D0-05	DR1-23D2-13	DR1-23D2-15	DR2-24D0-13	DR2-24D0-15
1	DR1-24D2-03	DR1-24D2-05	DR2-24D0-03	DR2-28D0-05	DR1-24D2-13	DR1-24D2-15	DR2-24D0-13	DR2-28D0-15
1.5	DR1-26D0-03	DR1-26D0-05	DR2-28D0-03	DR2-28D0-05	DR1-26D0-13	DR1-26D0-15	DR2-28D0-13	DR2-28D0-15
2	DR1-26D8-03	DR1-26D8-05	DR2-28D0-03	DR2-28D0-05	DR1-26D8-13	DR1-26D8-15	DR2-28D0-13	DR2-28D0-15
3	DR1-29D6-03	DR1-29D6-05	DR2-2012-03	DR2-2012-05	DR1-29D6-13	DR1-29D6-15	DR2-2012-13	DR2-2012-15
5	DR1-2015-03	DR1-2015-05	DR2-2018-03	DR2-2018-05	DR1-2015-13	DR1-2015-15	DR2-2018-13	DR2-2018-15
7.5	DR1-2022-03	DR1-2022-05	DR2-2025-03	DR2-2025-05	DR1-2022-13	DR1-2022-15	DR2-2025-13	DR2-2025-15
10	DR1-2028-03	DR1-2028-05	DR2-2035-03	DR2-2035-05	DR1-2028-13	DR1-2028-15	DR2-2035-13	DR2-2035-15
15	DR1-2042-03	DR1-2042-05	DR2-2045-03	DR2-2045-05	DR1-2042-13	DR1-2042-15	DR2-2045-13	DR2-2045-15
20	DR1-2054-03	DR1-2054-05	DR2-2055-03	DR2-2055-05	DR1-2054-13	DR1-2054-15	DR2-2055-13	DR2-2055-15
25	DR1-2068-03	DR1-2068-05	DR2-2080-03	DR2-2080-05	DR1-2068-13	DR1-2068-15	DR2-2080-13	DR2-2080-15
30	DR1-2080-03	DR1-2080-05	DR2-2080-03	DR2-2100-05	DR1-2080-13	DR1-2080-15	DR2-2080-13	DR2-2100-15
40	DR1-2104-03	DR1-2104-05	DR2-2100-03	DR2-2100-05	DR1-2104-13	DR1-2104-15	DR2-2100-13	DR2-2100-15
50	DR1-2130-03	DR1-2130-05	DR2-2130-03	DR2-2130-05	DR1-2130-13	DR1-2130-15	DR2-2130-13	DR2-2130-15
60	DR1-2154-03	DR1-2154-05	DR2-2160-03	DR2-2200-15	DR1-2154-13	DR1-2154-15	DR2-2160-13	DR2-2200-15
75	DR1-2192-03	DR1-2192-05	DR2-2200-13	DR2-2200-15	DR1-2192-13	DR1-2192-15	DR2-2200-13	DR2-2200-15
100	DR1-2248-03	DR1-2248-05	DR2-2225-13	DR2-2225-15	DR1-2248-13	DR1-2248-15	DR2-2225-13	DR2-2225-15

Line and Load Reactors—480 V

hp (CT)	Open Line Reactor		Load Reactor		NEMA 1 Line Reactor		Load Reactor	
	3%	5%	3%	5%	3%	5%	3%	5%
	1	DR1-42D1-03	DR1-42D1-05	DR2-42D0-05	DR2-42D0-05	DR1-42D1-13	DR1-42D1-15	DR2-42D0-13
1.5	DR1-43D0-03	DR1-43D0-05	DR2-44D0-05	DR2-44D0-05	DR1-43D0-13	DR1-43D0-15	DR2-44D0-13	DR2-44D0-15
2	DR1-43D4-03	DR1-43D4-05	DR2-44D0-03	DR2-44D0-05	DR1-43D4-13	DR1-43D4-15	DR2-44D0-13	DR2-44D0-15
3	DR1-44D8-03	DR1-44D8-05	DR2-48D0-03	DR2-48D0-05	DR1-44D8-13	DR1-44D8-15	DR2-48D0-13	DR2-48D0-15
5	DR1-47D6-03	DR1-47D6-05	DR2-48D0-03	DR2-48D0-05	DR1-47D6-13	DR1-47D6-15	DR2-48D0-13	DR2-48D0-15
7.5	DR1-4011-03	DR1-4011-05	DR2-4012-03	DR2-4012-05	DR1-4011-13	DR1-4011-15	DR2-4012-13	DR2-4012-15
10	DR1-4014-03	DR1-4014-05	DR2-4018-03	DR2-4018-05	DR1-4014-13	DR1-4014-15	DR2-4018-13	DR2-4018-15
15	DR1-4021-03	DR1-4021-05	DR2-4025-03	DR2-4025-05	DR1-4021-13	DR1-4021-15	DR2-4025-13	DR2-4025-15
20	DR1-4027-03	DR1-4027-05	DR2-4025-03	DR2-4025-05	DR1-4027-13	DR1-4027-15	DR2-4025-13	DR2-4025-15
25	DR1-4034-03	DR1-4034-05	DR2-4035-03	DR2-4035-05	DR1-4034-13	DR1-4034-15	DR2-4035-13	DR2-4035-15
30	DR1-4040-03	DR1-4040-05	DR2-4045-03	DR2-4045-05	DR1-4040-13	DR1-4040-15	DR2-4045-13	DR2-4045-15
40	DR1-4052-03	DR1-4052-05	DR2-4055-03	DR2-4055-05	DR1-4052-13	DR1-4052-15	DR2-4055-13	DR2-4055-15
50	DR1-4065-03	DR1-4065-05	DR2-4080-03	DR2-4080-05	DR1-4065-13	DR1-4065-15	DR2-4080-13	DR2-4080-15
60	DR1-4077-03	DR1-4077-05	DR2-4100-03	DR2-4080-05	DR1-4077-13	DR1-4077-15	DR2-4100-13	DR2-4080-15
75	DR1-4096-03	DR1-4096-05	DR2-4100-03	DR2-4100-05	DR1-4096-13	DR1-4096-15	DR2-4100-13	DR2-4100-15
100	DR1-4124-03	DR1-4124-05	DR2-4130-03	DR2-4130-05	DR1-4124-13	DR1-4124-15	DR2-4130-13	DR2-4130-15
125	DR1-4156-03	DR1-4156-05	DR2-4160-03	DR2-4160-05	DR1-4156-13	DR1-4156-15	DR2-4160-13	DR2-4160-15
150	DR1-4180-03	DR1-4180-05	DR2-4200-13	DR2-4200-15	DR1-4180-13	DR1-4180-15	DR2-4200-13	DR2-4200-15
200	DR1-4240-03	DR1-4240-05	DR2-4250-13	DR2-4250-15	DR1-4240-13	DR1-4240-15	DR2-4250-13	DR2-4250-15

Line and Load Reactors—575 V

hp (CT)	Open Line Reactor		Load Reactor		NEMA 1 Line Reactor		Load Reactor	
	3%	5%	3%	5%	3%	5%	3%	5%
	2	DR1-52D7-03	DR1-52D7-05	DR2-54D0-03	DR2-54D0-05	DR1-52D7-13	DR1-52D7-15	DR2-54D0-13
3	DR1-53D9-03	DR1-53D9-05	DR2-54D0-03	DR2-54D0-05	DR1-53D9-13	DR1-53D9-15	DR2-54D0-13	DR2-54D0-15
5	DR1-56D1-03	DR1-56D1-05	DR2-58D0-03	DR2-58D0-05	DR1-56D1-13	DR1-56D1-15	DR2-58D0-13	DR2-58D0-15
7.5	DR1-59D0-03	DR1-59D0-05	DR2-58D0-03	DR2-58D0-05	DR1-59D0-13	DR1-59D0-15	DR2-58D0-13	DR2-58D0-15
10	DR1-5011-03	DR1-5011-05	DR2-5012-03	DR2-5012-05	DR1-5011-13	DR1-5011-15	DR2-5012-13	DR2-5012-15
15	DR1-5017-03	DR1-5017-05	DR2-5018-03	DR2-5018-05	DR1-5017-13	DR1-5017-15	DR2-5018-13	DR2-5018-15
20	DR1-5022-03	DR1-5022-05	DR2-5025-03	DR2-5025-05	DR1-5022-13	DR1-5022-15	DR2-5025-13	DR2-5025-15
25	DR1-5027-03	DR1-5027-05	DR2-5025-03	DR2-5025-05	DR1-5027-13	DR1-5027-15	DR2-5025-13	DR2-5025-15
30	DR1-5032-03	DR1-5032-05	DR2-5035-03	DR2-5035-05	DR1-5032-13	DR1-5032-15	DR2-5035-13	DR2-5035-15
40	DR1-5041-03	DR1-5041-05	DR2-5045-03	DR2-5045-05	DR1-5041-13	DR1-5041-15	DR2-5045-13	DR2-5045-15
50	DR1-5052-03	DR1-5052-05	DR2-5055-03	DR2-5055-05	DR1-5052-13	DR1-5052-15	DR2-5055-13	DR2-5055-15
60	DR1-5062-03	DR1-5062-05	DR2-5080-03	DR2-5080-05	DR1-5062-13	DR1-5062-15	DR2-5080-13	DR2-5080-15
75	DR1-5077-03	DR1-5077-05	DR2-5080-03	DR2-5080-05	DR1-5077-13	DR1-5077-15	DR2-5080-13	DR2-5080-15
100	DR1-5100-03	DR1-5100-05	DR2-5100-03	DR2-5100-05	DR1-5100-13	DR1-5100-15	DR2-5100-13	DR2-5100-15
125	DR1-5125-03	DR1-5125-05	DR2-5130-03	DR2-5130-05	DR1-5125-13	DR1-5125-15	DR2-5130-13	DR2-5130-15
150	DR1-5144-03	DR1-5144-05	DR2-5160-03	DR2-5160-05	DR1-5144-13	DR1-5144-15	DR2-5160-13	DR2-5160-15
200	DR1-5192-03	DR1-5192-05	DR2-5200-13	DR2-5200-15	DR1-5192-13	DR1-5192-15	DR2-5200-13	DR2-5200-15

Replacement Parts

2

Frame 0

Description	230 V Catalog Number	480 V Catalog Number	575 V Catalog Number
Standard keypad	DXH-KEY-LCD	DXH-KEY-LCD	—
Main control board	DXH-SPR-CTRLBOARD	DXH-SPR-CTRLBOARD	—
Control module kit with keypad	DXH-SPR-CTRLKIT	DXH-SPR-CTRLKIT	—
Main fan kit	DXG-SPR-FR0FAN	DXG-SPR-FR0FAN	—
Main power board	DXG-SPR-2FR0MPB	DXG-SPR-4FR0MPB	—
EMI kit for C2	DXG-SPR-FR0EMCKIT	DXG-SPR-FR0EMCKIT	—

Frame 1

Description	230 V Catalog Number	480 V Catalog Number	575 V Catalog Number
Standard keypad	DXH-KEY-LCD	DXH-KEY-LCD	DXH-KEY-LCD
Control module kit with keypad	DXH-SPR-CTRLKIT	DXH-SPR-CTRLKIT	DXH-SPR-CTRLKIT
Main control board	DXH-SPR-CTRLBOARD	DXH-SPR-CTRLBOARD	DXH-SPR-CTRLBOARD
Standard cover	DXH-SPR-FR1CVR	DXH-SPR-FR1CVR	DXH-SPR-FR1CVR
EMI board	DXG-SPR-2FR1EB	DXG-SPR-4FR1EB	DXG-SPR-5FR1EB
Type 12/IP54 kit	DXH-ACC-2FR1N12KIT	DXH-ACC-4FR1N12KIT	DXH-ACC-4FR1N12KIT
Main power board	DXH-SPR-2FR1MPB	DXH-SPR-4FR1MPB	DXG-SPR-5FR1MPB
Control board cover	DXG-SPR-BCOVER	DXG-SPR-BCOVER	DXG-SPR-BCOVER
Main fan kit	DXG-SPR-FR1FAN	DXG-SPR-FR1FAN	DXG-SPR-FR1FAN
Control fan	DXG-SPR-2FR1CF	DXG-SPR-4FR1CF	DXG-SPR-4FR1CF
Middle chassis cover	DXG-SPR-FR1MCC	DXG-SPR-FR1MCC	DXG-SPR-FR1MCC
Outer housing	DXG-SPR-FR1OH	DXG-SPR-FR1OH	DXG-SPR-FR1OH
UL conduit plate	DXG-SPR-FR1CPUL	DXG-SPR-FR1CPUL	DXG-SPR-FR1CPUL
IEC conduit plate	DXG-SPR-FR1CPIEC	DXG-SPR-FR1CPIEC	DXG-SPR-FR1CPIEC

Frame 2

Description	230 V Catalog Number	480 V Catalog Number	575 V Catalog Number
Standard keypad	DXH-KEY-LCD	DXH-KEY-LCD	DXH-KEY-LCD
Control module kit with keypad	DXH-SPR-CTRLKIT	DXH-SPR-CTRLKIT	DXH-SPR-CTRLKIT
Main control board	DXH-SPR-CTRLBOARD	DXH-SPR-CTRLBOARD	DXH-SPR-CTRLBOARD
Standard cover	DXH-SPR-FR2CVR	DXH-SPR-FR2CVR	DXH-SPR-FR2CVR
EMI board	DXG-SPR-2FR2EB	DXG-SPR-4FR2EB	DXG-SPR-5FR2EB
Type 12/IP54 kit	DXH-ACC-FR2N12KIT	DXH-ACC-FR2N12KIT	DXH-ACC-FR2N12KIT
Main power board	DXH-SPR-2FR2MPB	DXH-SPR-4FR2MPB	DXG-SPR-5FR2MPB
Control board cover	DXG-SPR-BCOVER	DXG-SPR-BCOVER	DXG-SPR-BCOVER
Main fan kit	DXG-SPR-FR2FAN	DXG-SPR-FR2FAN	DXG-SPR-FR2FAN
Control fan	DXG-SPR-FR2CF	DXG-SPR-FR2CF	DXG-SPR-FR2CF
Bus capacitor	DXG-SPR-2FR2BC	DXG-SPR-4FR24BC	DXG-SPR-4FR24BC
Middle chassis cover	DXG-SPR-FR2MCC	DXG-SPR-FR2MCC	DXG-SPR-FR2MCC
Outer housing	DXG-SPR-FR2OH	DXG-SPR-FR2OH	DXG-SPR-FR2OH
UL conduit plate	DXG-SPR-FR2CPUL	DXG-SPR-FR2CPUL	DXG-SPR-FR2CPUL
IEC conduit plate	DXG-SPR-FR2CPIEC	DXG-SPR-FR2CPIEC	DXG-SPR-FR2CPIEC

Frame 3

Description	230 V	480 V	575 V
	Catalog Number	Catalog Number	Catalog Number
Standard keypad	DXH-KEY-LCD	DXH-KEY-LCD	DXH-KEY-LCD
Control module kit with keypad	DXH-SPR-CTRLKIT	DXH-SPR-CTRLKIT	DXH-SPR-CTRLKIT
Main control board	DXH-SPR-CTRLBOARD	DXH-SPR-CTRLBOARD	DXH-SPR-CTRLBOARD
Standard cover	DXH-SPR-FR3CVR	DXH-SPR-FR3CVR	DXH-SPR-FR3CVR
EMI board	DXG-SPR-2FR3EB	DXG-SPR-4FR3EB	DXG-SPR-4FR3EB
Main power board	DXH-SPR-2FR3MPB	DXH-SPR-4FR3MPB	DXH-SPR-5FR3MPB
Control board cover	DXG-SPR-BCOVER	DXG-SPR-BCOVER	DXG-SPR-BCOVER
Main fan kit	DXG-SPR-FR3FANKIT	DXG-SPR-FR3FANKIT	DXG-SPR-FR3FANKIT
Main fan	DXG-SPR-FR3FAN	DXG-SPR-FR3FAN	DXG-SPR-FR3FAN
Control fan	DXG-SPR-FR34CF	DXG-SPR-FR34CF	DXG-SPR-FR34CF
Bus capacitor	DXG-SPR-FR3BC	DXG-SPR-FR3BC	DXG-SPR-FR3BC
Middle chassis cover	DXG-SPR-FR3MCC	DXG-SPR-FR3MCC	DXG-SPR-FR3MCC
Outer housing	DXG-SPR-FR30H	DXG-SPR-FR30H	DXG-SPR-FR30H
UL conduit plate	DXG-SPR-FR3CPUL	DXG-SPR-FR3CPUL	DXG-SPR-FR3CPUL
IEC conduit plate	DXG-SPR-FR3CPIEC	DXG-SPR-FR3CPIEC	DXG-SPR-FR3CPIEC
Drive board	DXH-SPR-2FR3DB	DXH-SPR-4FR3DB	DXG-SPR-5FR3DB
Output board	DXG-SPR-FR30B	DXG-SPR-FR30B	DXG-SPR-FR30B

Frame 4

Description	230 V	480 V	575 V
	Catalog Number	Catalog Number	Catalog Number
Standard keypad	DXH-KEY-LCD	DXH-KEY-LCD	DXH-KEY-LCD
Control module kit with keypad	DXH-SPR-CTRLKIT	DXH-SPR-CTRLKIT	DXH-SPR-CTRLKIT
Main control board	DXH-SPR-CTRLBOARD	DXH-SPR-CTRLBOARD	DXH-SPR-CTRLBOARD
Standard cover	DXH-SPR-FR4CVR	DXH-SPR-FR4CVR	DXH-SPR-FR4CVR
EMI board	DXG-SPR-2FR4EB	DXG-SPR-4FR4EB	DXG-SPR-5FR4EB
Main power board	DXH-SPR-2FR4MPB	DXH-SPR-4FR4MPB	DXH-SPR-5FR4MPB
Control board cover	DXG-SPR-BCOVER	DXG-SPR-BCOVER	DXG-SPR-BCOVER
Main fan kit	DXG-SPR-FR4FANKIT	DXG-SPR-FR4FANKIT	DXG-SPR-FR4FANKIT
Main fan	DXG-SPR-FR4FAN	DXG-SPR-FR4FAN	DXG-SPR-FR4FAN
Control fan	DXG-SPR-FR34CF	DXG-SPR-FR34CF	DXG-SPR-FR34CF
Bus capacitor	DXG-SPR-2FR4BC	DXG-SPR-4FR24BC	DXG-SPR-4FR24BC
Middle chassis cover	DXG-SPR-FR4MCC	DXG-SPR-FR4MCC	DXG-SPR-FR4MCC
Outer housing	DXG-SPR-FR40H	DXG-SPR-FR40H	DXG-SPR-FR40H
UL conduit plate	DXG-SPR-FR4CPUL	DXG-SPR-FR4CPUL	DXG-SPR-FR4CPUL
IEC conduit plate	DXG-SPR-FR4CPIEC	DXG-SPR-FR4CPIEC	DXG-SPR-FR4CPIEC
Softstart board	DXH-SPR-2FR4SB	DXH-SPR-4FR4SB	DXG-SPR-5FR4SB
IGBT module	DXG-SPR-2FR4IGBT	DXG-SPR-4FR4IGBT	DXG-SPR-4FR4IGBT
Rectifier module	DXG-SPR-2FR4RM	DXG-SPR-4FR4RM	DXG-SPR-4FR4RM
Brake chopper module	DXG-SPR-2FR4BCM	DXG-SPR-4FR4BCM	DXG-SPR-4FR4BCM

Frame 5

2

Description	230 V	480 V	575 V
	Catalog Number	Catalog Number	Catalog Number
Standard keypad	DXH-KEY-LCD	DXH-KEY-LCD	DXH-KEY-LCD
Control module kit with keypad	DXH-SPR-CTRLKIT	DXH-SPR-CTRLKIT	DXH-SPR-CTRLKIT
Main control board	DXH-SPR-CTRLBOARD	DXH-SPR-CTRLBOARD	DXH-SPR-CTRLBOARD
Standard cover	DXH-SPR-FR5CVR	DXH-SPR-FR5CVR	DXH-SPR-FR5CVR
EMI-1 board	DXG-SPR-2FR5E1B	DXG-SPR-4FR5E1B	DXG-SPR-4FR5E1B
EMI-2 board	DXG-SPR-2FR5E2B	DXG-SPR-4FR5E2B	DXG-SPR-4FR5E2B
EMI-3 board	DXG-SPR-FR5E3B	DXG-SPR-FR5E3B	DXG-SPR-FR5E3B
Main power board	DXH-SPR-2FR5MPB	DXH-SPR-4FR5MPB	DXG-SPR-5FR5MPB
Control board cover	DXG-SPR-BCOVER	DXG-SPR-BCOVER	DXG-SPR-BCOVER
Main fan kit	DXG-SPR-FR5FANKIT	DXG-SPR-FR5FANKIT	DXG-SPR-FR5FANKIT
Main fan	DXG-SPR-FR5FAN	DXG-SPR-FR5FAN	DXG-SPR-FR5FAN
Control fan	DXG-SPR-FR5CF	DXG-SPR-FR5CF	DXG-SPR-FR5CF
Bus capacitor	DXG-SPR-FR5BC	DXG-SPR-FR5BC	DXG-SPR-FR5BC
Middle chassis cover	DXG-SPR-FR5MCC	DXG-SPR-FR5MCC	DXG-SPR-FR5MCC
Outer housing	DXG-SPR-FR5OH	DXG-SPR-FR5OH	DXG-SPR-FR5OH
UL conduit plate	DXG-SPR-FR5CPUL	DXG-SPR-FR5CPUL	DXG-SPR-FR5CPUL
IEC conduit plate	DXG-SPR-FR5IECCP	DXG-SPR-FR5IECCP	DXG-SPR-FR5IECCP
IGBT module	DXG-SPR-2FR5IGBT	DXG-SPR-4FR5IGBT	DXG-SPR-5FR5IGBT
Rectifier module	DXG-SPR-FR5RM	DXG-SPR-FR5RM	DXG-SPR-5FR5RM
Brake chopper module	DXG-SPR-2FR5BCM	DXG-SPR-4FR5BCM	DXG-SPR-4FR5BCM
DC terminal kit	DXG-SPR-FR5DCKIT	DXG-SPR-FR5DCKIT	DXG-SPR-FR5DCKIT

Frame 6

Description	230 V	480 V	575 V
	Catalog Number	Catalog Number	Catalog Number
Standard keypad	DXH-KEY-LCD	DXH-KEY-LCD	DXH-KEY-LCD
Control module kit with keypad	DXH-SPR-CTRLKIT	DXH-SPR-CTRLKIT	DXH-SPR-CTRLKIT
Main control board	DXH-SPR-CTRLBOARD	DXH-SPR-CTRLBOARD	DXH-SPR-CTRLBOARD
Standard cover	DXH-SPR-FR5CVR	DXH-SPR-FR5CVR	DXH-SPR-FR5CVR
EMI board	DXG-SPR-FR6EB	DXG-SPR-FR6EB	DXG-SPR-FR6EB
Main power board	DXG-SPR-2FR6MPB	DXG-SPR-4FR6MPB	DXG-SPR-5FR6MPB
Control board cover	DXG-SPR-BCOVER	DXG-SPR-BCOVER	DXG-SPR-BCOVER
Main fan kit	DXG-SPR-FR6FANKIT	DXG-SPR-FR6FANKIT	DXG-SPR-FR6FANKIT
Main fan	DXG-SPR-FR6FAN	DXG-SPR-FR6FAN	DXG-SPR-FR6FAN
Control fan	DXG-SPR-FR6CF	DXG-SPR-FR6CF	DXG-SPR-FR6CF
Bus capacitor	DXG-SPR-FR6BC	DXG-SPR-FR6BC	DXG-SPR-FR6BC
Middle chassis cover	DXG-SPR-FR6MCC	DXG-SPR-FR6MCC	DXG-SPR-FR6MCC
Outer housing	DXG-SPR-FR6OH	DXG-SPR-FR6OH	DXG-SPR-FR6OH
UL conduit plate	DXG-SPR-FR6CPUL	DXG-SPR-FR6CPUL	DXG-SPR-FR6CPUL
IEC conduit plate	DXG-SPR-FR6CPIEC	DXG-SPR-FR6CPIEC	DXG-SPR-FR6CPIEC
IGBT Module	DXG-SPR-2FR6IGBT	DXG-SPR-4FR6IGBT	DXG-SPR-5FR6IGBT
Rectifier module	DXG-SPR-FR6RM	DXG-SPR-FR6RM	DXG-SPR-FR6RM
Type 12 grommet kit	DXG-SPR-FR6GRN12	DXG-SPR-FR6GRN12	DXG-SPR-FR6GRN12
Softstart board	DXG-SPR-2FR6SB	DXG-SPR-4FR6SB	DXG-SPR-5FR6SB
Rectifier snubber board	DXG-SPR-2FR6RSB	DXG-SPR-4FR6RSB	DXG-SPR-5FR6RSB
Terminal block kit (1-pole)	DXG-SPR-FR6TB1P	DXG-SPR-FR6TB1P	DXG-SPR-FR6TB1P
Terminal block kit (3-pole)	DXG-SPR-FR6TB3P	DXG-SPR-FR6TB3P	DXG-SPR-FR6TB3P

Technical Data and Specifications

PowerXL Series—DH1 Technical Data and Specifications

Attribute	Description	Specification	
Input ratings	Input voltage U_{in}	208 V to 240 V, 380 V to 500 V, 525 V to 600 V, –15 to 10%	
	Input frequency	50 Hz to 60 Hz (variation up to 45 Hz to 66 Hz)	
	Connection to power	Once per minute or less	
	Starting delay	3 s (FR1 to FR2), 4 s (FR3), 5 s (FR4), 6 s (FR5 and FR6)	
	Short-circuit withstand rating	100 kAIC (fuses and circuit breakers); 5 kAIC (without fuses or breakers)	
Output ratings	Output voltage	0 to U_{in}	
	Continuous output current	I_L : ambient temperature maximum 40 °C, up to 60 °C with derating, overload 1.1 x I_L (1 min./10 min.)	
	Overload current	110% for variable torque	
	Initial output current	200% (2 s / 20 s)	
	Output frequency	0–400 Hz (standard)	
	Frequency resolution	0.01 Hz	
Control characteristics	Control methods	Frequency control Speed control Open-loop speed control Open-loop torque control	
	Switching frequency	230 V / 480 V range: FR1–3: 1 kHz to 12 kHz / FR4–6: 1 kHz to 10 kHz 230 V / 480 V defaults: FR1–3: 4 kHz / FR4–5: 3.6 kHz / FR6: 2 kHz 575 V range: FR1–6: 1 kHz to 6 kHz 575 V defaults: FR1–4: 3 kHz / FR5–6: 2 kHz Automatic switching frequency derating in case of overload.	
	Frequency reference	Analog input: resolution 0.1% (10-bit), accuracy +1% Analog output: resolution 0.1% (10-bit), accuracy +1% Panel reference: resolution 0.01 Hz	
	Field weakening point	20 Hz to 400 Hz	
	Acceleration time	0.1 s to 3000 s	
	Deceleration time	0.1 s to 3000 s	
	Braking torque	DC brake: 30% x Motor Rated Torque (T_n) (without brake chopper) Dynamic braking (with optional brake chopper using an external brake resistor): 100% continuous maximum rating	
	Ambient conditions	Ambient operating temperature	–10 °C (no frost) to +50 °C, up to +60 °C with derating (CT) –10 °C (no frost) to +40 °C, up to +60 °C with derating (VT)
		Storage temperature	–40 °C to +70 °C
		Relative humidity	0–95% RH, noncondensing, non-corrosive
		Air quality: Chemical vapors Mechanical particles	Tested according to IEC 60068-2-60 Test Key: Flowing mixed gas corrosion test, Method 1 (H ₂ S [hydrogen sulfide] and SO ₂ [sulfur dioxide]) Designed according to: IEC 60721-3-3, unit in operation, class 3C2 IEC 60721-3-3, unit in operation, class 3S2
		Altitude	100% load capacity (no derating) up to 3280 ft (1000 m); 1% derating for each 328 ft (100 m) above 3280 ft (1000 m); max. 9842 ft (3000 m) (2000 m for corner grounded earth main systems) For 575 V product, maximum altitude is 6561 ft (2000 m) regardless of main system
		Vibration: • EN 61800-5-1 • EN 60668-2-6	5–150 Hz Displacement amplitude: 1 mm (peak) at 5 Hz to 15.8 Hz (FR1–FR6) Maximum acceleration amplitude: 1g at 15.8 Hz to 150 Hz (FR1–FR6)

PowerXL Series—DH1 Technical Data and Specifications, continued

Attribute	Description	Specification
2 Ambient conditions, continued	Shock:	Storage and shipping: maximum 15 g, 11 ms (in package)
		• ISTA 1 A
		• EN 60068-2-27
	Overvoltage	Overvoltage Category III
	Pollution degree	Pollution Degree 2
	Enclosure class	IP21/Type 1 standard in entire kW/hp range IP54/Type 12 option Note: Keypad or keypad hole plug required to be mounted in drive for IP54/Type 12 rating
	Immunity	Fulfills EN 61800-3 (2004), first and second environment
	MTBF	FR1: 165,457 hours FR2: 134,833 hours FR3: 102,515 hours FR4: 121,567 hours FR5: 108,189 hours FR6: 100,000 hours
	Noise	FR1: 51.2 dB FR2: 58.6 dB FR3: 61.0 dB FR4: 68.0 dB FR5: 69.1 dB FR6: 73.2 dB
	Standards	Safety
EMC		+EMC2: EN 61800-3 (2004), Category C2 The drive can be modified for IT networks and corner grounding TN system
Electrostatic discharge		Second environment, IEC 61000-4-2, 4 kV CD or 8 kV AD, Criterion B
Fast transient burst		Second environment, IEC 61000-4-4, 2 kV/5 kHz, Criterion B
Dielectrical strength		Primary to secondary: 3600 Vac/5100 Vdc Primary to earth: 2000 Vac/2828 Vdc
Approvals		EAC, RCM (C-Tick), RoHS, CE, UL and cUL (see nameplate for more detailed approvals)
Fieldbus connections	Onboard: BACnet/IP, BACnet MS/TP, Modbus TCP, Modbus RTU	
Safety/protections	Overvoltage protection	Yes
	Overvoltage trip limit	230 V drives: 456 V / 480 V drives: 911 V / 575 V drives: 1100 V
	Undervoltage protection	Yes
	Undervoltage trip limit	230 V drives: 211 V / 480 V drives: 370 V / 575 V drives: 550 V
	Earth fault protection	Yes Default: 15% motor FLA Minimum: 0% motor FLA Maximum: 30% motor FLA
	Input phase supervision	Yes
	Motor phase supervision	Yes
	Overcurrent protection	Yes
	Unit overtemperature protection	Yes
	Motor overload protection	Yes
	Motor stall protection	Yes
	Motor underload protection	Yes
	DC bus overvoltage control	Yes
	Short-circuit protection of 24 V reference voltages	Yes
	Surge protection	Yes (differential mode 2 kV; common mode 4 kV 230 V drives: 275 Vac, 10,000 A / 480 V drives: 320 Vac, 8000 A / 575 V drives: 385 Vac, 10,000 A
	Common coated boards	Yes (prevents corrosion)

PowerXL Series—DH1 Technical Data and Specifications—Efficiency**230 V**

Frame Size	Load Torque	Efficiency	
		VT	Input THDi
FR1	25%	92.10%	42.8%
	50%	95.20%	35.2%
	100%	96.70%	29.9%
FR2	25%	90.80%	70.0%
	50%	96.64%	46.6%
	100%	97.30%	33.3%
FR3	25%	97.23%	53.1%
	50%	97.37%	43.6%
	100%	97.00%	30.8%
FR4	25%	94.60%	39.4%
	50%	97.20%	32.4%
	100%	97.60%	25.6%
FR5	25%	94.5	30.50%
	50%	97.80%	30.8%
	100%	97.70%	25.0%

480 V

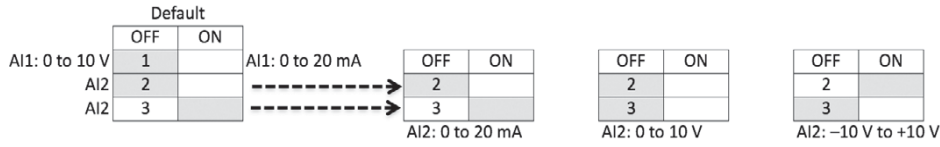
Frame Size	Load Torque	Efficiency	
		VT	Input THDi
FR1	25%	93.30%	54.0%
	50%	97.10%	46.8%
	100%	97.61%	35.3%
FR2	25%	95.90%	59.8%
	50%	97.81%	42.7%
	100%	98.11%	33.8%
FR3	25%	96.40%	69.2%
	50%	97.87%	45.2%
	100%	97.79%	32.6%
FR4	25%	98.00%	56.5%
	50%	97.97%	39.8%
	100%	97.96%	31.5%
FR5	25%	97.8	50.3%
	50%	98.39%	37.0%
	100%	98.14%	29.5%

575 V

Frame Size	Load Torque	Efficiency	
		VT	Input THDi
FR1	25%	97.48%	62.6%
	50%	97.79%	45.6%
	100%	98.10%	36.8%
FR2	25%	98.06%	60.6%
	50%	98.19%	47.2%
	100%	98.20%	36.7%
FR3	25%	97.98%	78.9%
	50%	98.32%	55.5%
	100%	98.10%	36.3%
FR4	25%	98.27%	66.1%
	50%	98.57%	41.6%
	100%	98.30%	31.2%
FR5	25%	98.60%	52.80%
	50%	98.81%	35.9%
	100%	98.60%	28.4%

Wiring Diagram

2



PowerXL Series—DH1 Control Wiring Diagram

External Wiring	Pin	Signal Name	Signal	Default Setting	Description
	1	+10 V	Ref. Output Voltage	—	10 Vdc Supply Source
	2	AI1+ ①	Analog Input 1	0–10 V	Voltage Speed Reference (Programmable to 4–20 mA)
	3	AI1–	Analog Input 1 Ground	—	Analog Input 1 Common (Ground)
	4	AI2+ ①	Analog Input 2	4–20 mA	Current Speed Reference (Programmable to 0–10 V)
	5	AI2–	Analog Input 2 Ground	—	Analog Input 2 Common (Ground)
	6	GND	I/O Signal Ground	—	I/O Ground for Reference and Control
	7	DIN5	Digital Input 5	Preset Speed B0	Sets frequency output to Preset Speed 1
	8	DIN6	Digital Input 6	Fire Mode	Enables drive into Fire Mode
	9	DIN7	Digital Input 7/TI+	Bypass Start	Enables drive into Bypass mode waiting for drive start
	10	DIN8	Digital Input 8/TI–	Force Auto	Input forces drive into Auto Control place
	11	CMB	DI5 to DI8 Common	Grounded	Allows source input
	12	GND	I/O Signal Ground	—	I/O Ground for Reference and Control
	13	24 Vo	+24 Vdc Output	—	Control voltage output (100 mA maximum)
	14	DO1	Digital Output 1	Ready	Shows the drive is ready to run
	15	24 Vo	+24 Vdc Output	—	Control voltage output (100 mA maximum)
	16	GND	I/O Signal Ground	—	I/O Ground for Reference and Control
	17	AO1+	Analog Output 1	Output Frequency	Shows Output frequency to motor 0–60 Hz (4–20 mA)
	18	AO2+	Analog Output 2	Motor Current	Shows Motor current of motor 0–FLA (4–20 mA)
	19	24 Vi	+24 Vdc Input	—	External control voltage input
	20	DIN1	Digital Input 1	Run Forward	Input starts drive in forward direction (start enable)
	21	DIN2	Digital Input 2	Run Reverse	Input starts drive in reverse direction (start enable)
	22	DIN3	Digital Input 3	External Fault	Input causes drive to fault
	23	DIN4	Digital Input 4	Fault Reset	Input resets active faults
	24	CMA	DI1 to DI4 Common	Grounded	Allows source input
	25	A	RS-485 Signal A/+	—	Fieldbus Communication (Modbus, BACnet)
	26	B	RS-485 Signal B/–	—	Fieldbus Communication (Modbus, BACnet)
	27	R3NO	Relay 3 Normally Open	Fault	Relay output 3 shows VFD is Faulted
	28	R1NC	Relay 1 Normally Closed	Bypass Run	Relay output 1 shows VFD is in a bypass run state
	29	R1CM	Relay 1 Common		
	30	R1NO	Relay 1 Normally Open		
	31	R3CM	Relay 3 Common	Fault	Relay output 3 shows VFD is Faulted
	32	R2NC	Relay 2 Normally Closed	Run	Relay output 2 shows VFD is in a drive run state
	33	R2CM	Relay 2 Common		
	34	R2NO	Relay 2 Normally Open		

Notes

The above wiring demonstrates a SINK configuration. It is important that CMA and CMB are wired to ground (as shown by dashed line).

If a SOURCE configuration is desired, wire 24 V to CMA and CMB and close the inputs to ground.

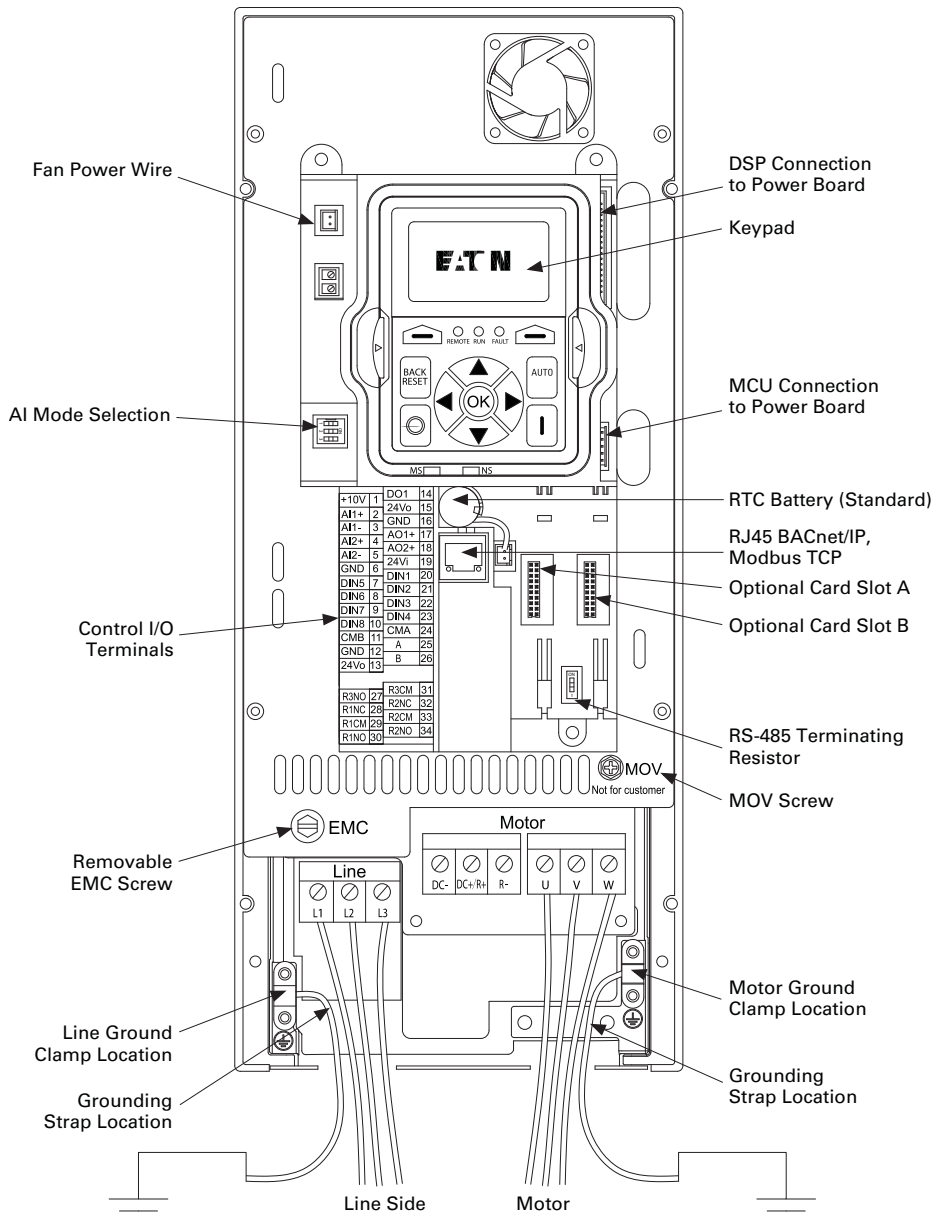
When using the +10 V for AI1, it is important to wire AI1– to ground (as shown by dashed line).

If using +10 V for AI1 or AI2, terminals 3, 5 and 6 need to be jumpered together.

① AI1+ and AI2+ support 10K potentiometer.

Control Board Layout

PowerXL Series—DH1 Control Board Layout



2.8

Adjustable Frequency Drives

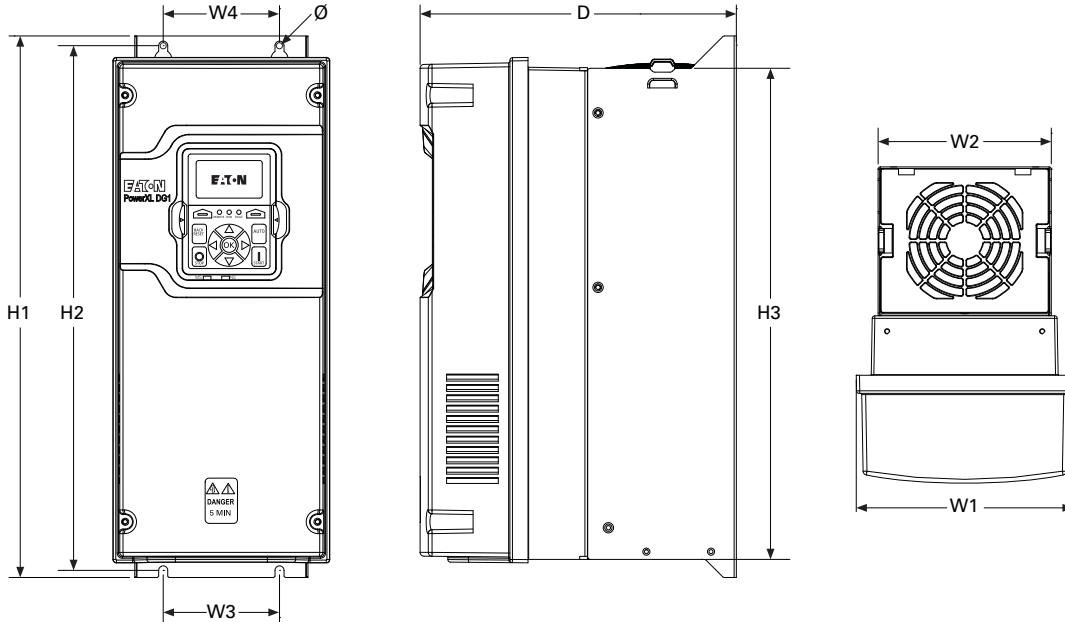
PowerXL DH1 Series Drives

Dimensions

Approximate Dimensions in Inches (mm)

2

PowerXL Series—DH1 Dimensions



Frame Size	Voltage	hp (CT/I _H)	kW	Amperes (CT/I _H)	Approximate Dimensions in Inches (mm)									Weight Lb (kg)
					D	H1	H2	H3	W1	W2	W3	W4	Ø	
FR0	230 Vac	1–2	0.75–1.5	4.8–7.8	6.83	10.58	10.16	9.54	5.00	4.97	4.26	4.26	0.28	4.41
	480 Vac	1.5–5	1.1–3	3.3–7.6	(173.5)	(268.7)	(258.0)	(242.3)	(127.0)	(126.3)	(108.3)	(108.3)	(7.0)	(2.0)
FR1	230 Vac	1–4	0.75–3	4.8–12.5	7.91	12.87	12.28	11.50	6.02	4.80	3.94	3.94	0.28	14.33
	480 Vac	1.5–7.5	1.1–5.5	3.3–12	(200.9)	(326.9)	(311.9)	(292.1)	(153.0)	(121.9)	(100.1)	(100.1)	(7.0)	(6.5)
	575 Vac	3–7.5	2.2–5.5	4.5–10										
FR2	230 Vac	5–10	3.7–7.5	17.5–31	9.63	16.50	15.98	14.96	6.61	5.28	3.54	3.54	0.28	23.37
	480 Vac	10–20	7.5–15	16–31	(244.7)	(419.1)	(405.9)	(380.0)	(167.8)	(134.1)	(90.0)	(90.0)	(7.0)	(10.6)
	575 Vac	10–20	7.5–15	13.5–22										
FR3	230 Vac	15–20	11–15	48–61	10.44	21.97	21.46	20.41	8.06	7.24	4.92	4.92	0.35	49.82
	480 Vac	25–40	18.5–30	38–61	(265.1)	(558.0)	(545.0)	(518.5)	(204.6)	(183.9)	(125.0)	(125.0)	(9.0)	(22.6)
	575 Vac	25–40	18.5–30	27–41										
FR4	230 Vac	25–40	18.5–30	75–114	11.57	24.80	24.31	23.27	9.36	9.13	8.07	8.07	0.35	77.60
	480 Vac	50–75	37–55	72–105	(294.0)	(629.9)	(617.5)	(591.1)	(237.7)	(231.9)	(205.0)	(205.0)	(9.0)	(35.2)
	575 Vac	50–75	37–55	52–80										
FR5	230 Vac	50–75	37–55	143–211	13.41	34.98	29.65	27.83	11.34	11.10	8.66	8.66	0.35	154.32
	480 Vac	100–150	75–110	140–205	(340.7)	(888.5)	(753.1)	(706.9)	(288.0)	(281.9)	(220.0)	(220.0)	(9.0)	(70.0)
	575 Vac	100–150	75–110	100–144										
FR6	230 Vac	100–125	75–90	261–312	14.61	34.04	33.27	40.75	19.13	18.90	15.75	15.75	0.35	281.3
	480 Vac	200–250	132–160	261–310	(371.0)	(864.5)	(845.0)	(1035.0)	(486.0)	(480.0)	(400.0)	(400.0)	(9.0)	(127.6)
	575 Vac	200–250	150–187	208–250										

PowerXL DH1 Series HVAC/R Enclosed Drive



Contents

Description	Page
PowerXL DH1 Series Drives	V6-T2-175
PowerXL DH1 Series Enclosed Drives	
Catalog Number Selection	V6-T2-196
Product Selection	V6-T2-197
Options	V6-T2-206
Dimensions	V6-T2-207

PowerXL DH1 Series Enclosed Drives

Product Description

The DH1 enclosed drive family incorporates the latest Eaton drive technology into pre-engineered enclosed solutions covering the HVAC/R industry's most common applications. Using the benefits of the PowerXL DH1, the enclosed family provides enhanced user safety with short circuit current ratings up to 100 kAIC as well as industry-leading energy efficiency from the patented Active Energy Control® algorithm.

Features and Benefits

- VT rated to meet HVAC/R industry standards
- Available circuit breaker, motor circuit protector, fused disconnect and isolation fusing options to provide input power protection up to 100 kAIC
- Standard 2 and 3 contactor bypass configurations
- Multi-color LED pilot device allows for one light to represent multiple drive states
- Compact disconnect enclosure allows for simple 100 kAIC disconnect platform for simple HVAC/R applications
- Standard NEMA 12 and 3R designs allow for optimized product footprint
- Onboard HVAC/R communications allow for easy connection to most building management systems
- Plenum rated
- DC link choke provides reduction in input harmonics equal to or better than 5% AC line reactor

- The PowerXL DH1 comes standard with the following communication protocols:

- BACnet/IP
- Modbus/TCP
- Modbus RTU
- BACnet MS/TP

Standards and Certifications

- UL 508C



Enclosure Ratings

- NEMA Type 1
- NEMA Type 12
- NEMA Type 3R

Mounting

- Wall mount
- Floor mount: 12-inch legs
- Floor mount: 22-inch legs

Product Range

- 208 V: 1–100 hp
- 230 V: 1–125 hp
- 480 V: 1.5–250 hp

2.8

Adjustable Frequency Drives

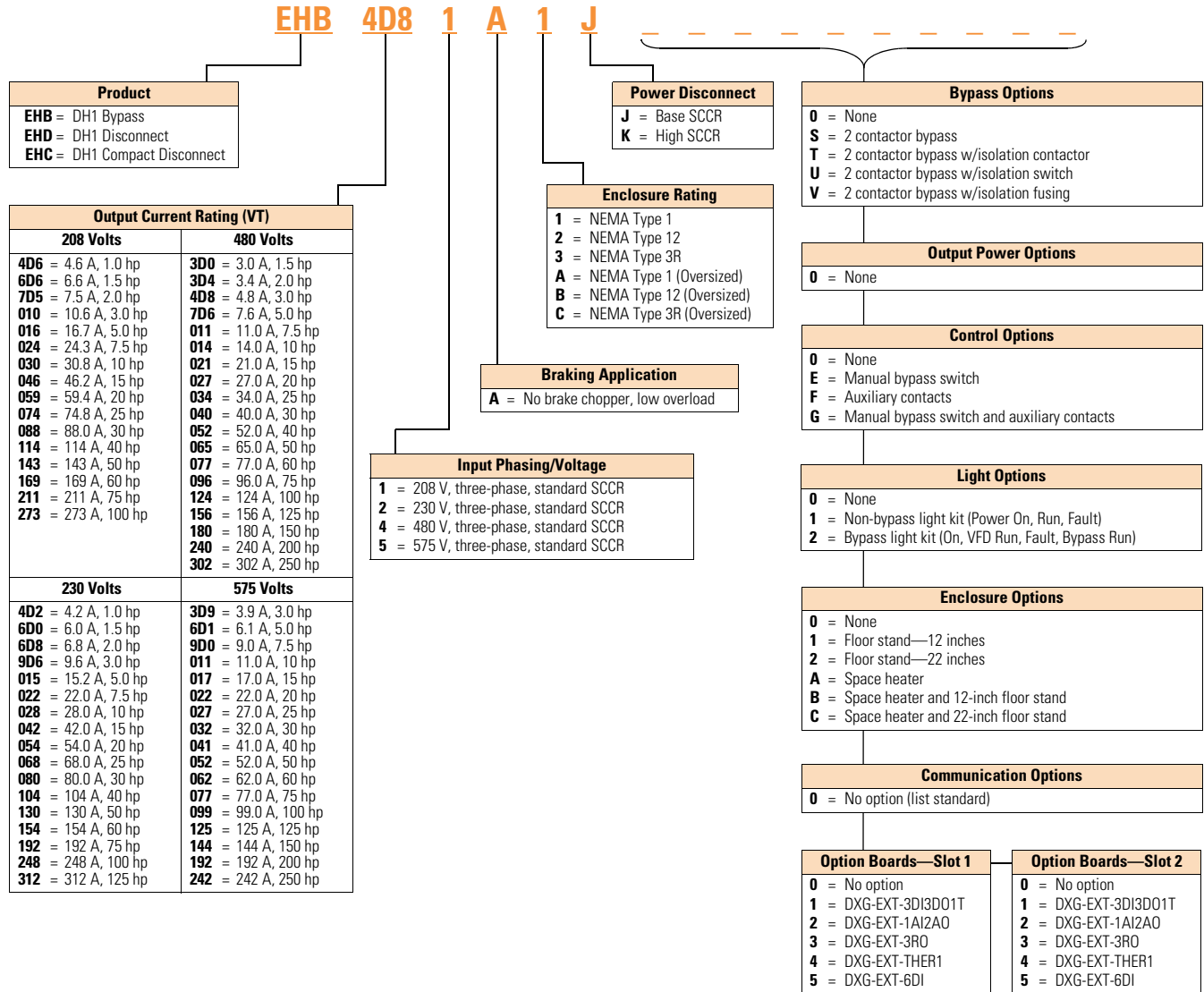
PowerXL DH1 Series Drives

Catalog Number Selection

Catalog Number Selection is for reference only. Not all option combinations may be available.

2

PowerXL DH1 Series Enclosed Drives



Product Selection

EHC—DH1 Compact Disconnect

EHC



208 V

Horsepower	Drive Rated NEC Amps	Catalog Number
Frame Size H1D		
1	4.6	EHC4D61A1K00000000
1.5	6.6	EHC6D61A1K00000000
2	7.5	EHC7D51A1K00000000
3	10.6	EHC0101A1K00000000
Frame Size H2D		
5	16.7	EHC0161A1K00000000
7.5	24.3	EHC0241A1K00000000
10	30.8	EHC0301A1K00000000
Frame Size H3D		
15	46.2	EHC0461A1K00000000
20	59.4	EHC0591A1K00000000
Frame Size H4D		
25	74.8	EHC0741A1K00000000
30	88	EHC0881A1K00000000
40	114	EHC1141A1K00000000

230 V

Horsepower	Drive Rated NEC Amps	Catalog Number
Frame Size H1D		
1	4.2	EHC4D22A1K00000000
1.5	6	EHC6D02A1K00000000
2	6.8	EHC6D82A1K00000000
3	9.6	EHC9D62A1K00000000
Frame Size H2D		
5	15.2	EHC0152A1K00000000
7.5	22	EHC0222A1K00000000
10	28	EHC0282A1K00000000
Frame Size H3D		
15	42	EHC0422A1K00000000
20	54	EHC0542A1K00000000
Frame Size H4D		
25	68	EHC0682A1K00000000
30	80	EHC0802A1K00000000
40	104	EHC1042A1K00000000

480 V

Horsepower	Drive Rated NEC Amps	Catalog Number
Frame Size H1D		
1.5	3	EHC3D04A1K00000000
2	3.4	EHC3D44A1K00000000
3	4.8	EHC4D84A1K00000000
5	7.6	EHC7D64A1K00000000
7.5	11	EHC0114A1K00000000
Frame Size H2D		
10	14	EHC0144A1K00000000
15	21	EHC0214A1K00000000
20	27	EHC0274A1K00000000
Frame Size H3D		
25	34	EHC0344A1K00000000
30	40	EHC0404A1K00000000
40	52	EHC0524A1K00000000
Frame Size H4D		
50	65	EHC0654A1K00000000
60	77	EHC0774A1K00000000
75	96	EHC0964A1K00000000

575 V

Horsepower	Drive Rated NEC Amps	Catalog Number
Frame Size H1D		
3	3.9	EHC3D95A1K00000000
5	6.1	EHC6D15A1K00000000
7.5	9	EHC9D05A1K00000000
Frame Size H2D		
10	11	EHC0115A1K00000000
15	17	EHC0175A1K00000000
20	22	EHC0225A1K00000000
Frame Size H3D		
25	27	EHC0275A1K00000000
30	32	EHC0325A1K00000000
40	41	EHC0415A1K00000000
Frame Size H4D		
50	52	EHC0525A1K00000000
60	62	EHC0625A1K00000000
75	77	EHC0775A1K00000000

EHD—DH1 Disconnect

2



EHD_

208 V—NEMA Type 1

Horsepower	Drive Rated NEC Amps	Catalog Number
Frame Size H1S		
1	4.6	EHD4D61A1J00000000
1.5	6.6	EHD6D61A1J00000000
2	7.5	EHD7D51A1J00000000
3	10.6	EHD0101A1J00000000
Frame Size H2S		
5	16.7	EHD0161A1J00000000
7.5	24.3	EHD0241A1J00000000
10	30.8	EHD0301A1J00000000
Frame Size H3		
15	46.2	EHD0461A1J00000000
20	59.4	EHD0591A1J00000000
Frame Size H4		
25	74.8	EHD0741A1K00000000
30	88	EHD0881A1K00000000
40	114	EHD1141A1K00000000
Frame Size CX		
50	143	EHD1431A1K00000000
60	169	EHD1691A1K00000000
75	211	EHD2111A1K00000000
Frame Size DX		
100	273	EHD2731A1K00000000

208 V—NEMA Type 12

Horsepower	Drive Rated NEC Amps	Catalog Number
Frame Size H3X		
1	4.6	EHD4D61A2J00000000
1.5	6.6	EHD6D61A2J00000000
2	7.5	EHD7D51A2J00000000
3	10.6	EHD0101A2J00000000
5	16.7	EHD0161A2J00000000
7.5	24.3	EHD0241A2J00000000
10	30.8	EHD0301A2J00000000
15	46.2	EHD0461A2J00000000
20	59.4	EHD0591A2J00000000
Frame Size BX		
25	74.8	EHD0741A2K00000000
30	88	EHD0881A2K00000000
40	114	EHD1141A2K00000000
Frame Size CX		
50	143	EHD1431A2K00000000
60	169	EHD1691A2K00000000
75	211	EHD2111A2K00000000
Frame Size DX		
100	273	EHD2731A2K00000000

208 V—NEMA Type 3R

Horsepower	Drive Rated NEC Amps	Catalog Number
Frame Size H3X		
1	4.6	EHD4D61A3J00000000
1.5	6.6	EHD6D61A3J00000000
2	7.5	EHD7D51A3J00000000
3	10.6	EHD0101A3J00000000
5	16.7	EHD0161A3J00000000
7.5	24.3	EHD0241A3J00000000
10	30.8	EHD0301A3J00000000
15	46.2	EHD0461A3J00000000
20	59.4	EHD0591A3J00000000
Frame Size BX		
25	74.8	EHD0741A3K00000000
30	88	EHD0881A3K00000000
40	114	EHD1141A3K00000000
Frame Size CX		
50	143	EHD1431A3K00000000
60	169	EHD1691A3K00000000
75	211	EHD2111A3K00000000
Frame Size DX		
100	273	EHD2731A3K00000000

EHD_

**230 V – NEMA Type 1**

Horsepower	Drive Rated NEC Amps	Catalog Number
Frame Size H1S		
1	4.2	EHD4D22A1J00000000
1.5	6	EHD6D02A1J00000000
2	6.8	EHD6D82A1J00000000
3	9.6	EHD9D62A1J00000000
Frame Size H2S		
5	15.2	EHD0152A1J00000000
7.5	22	EHD0222A1J00000000
10	28	EHD0282A1J00000000
Frame Size H3		
15	42	EHD0422A1J00000000
20	54	EHD0542A1J00000000
Frame Size H4		
25	68	EHD0682A1K00000000
30	80	EHD0802A1K00000000
40	104	EHD1042A1K00000000
Frame Size CX		
50	130	EHD1302A1K00000000
60	154	EHD1542A1K00000000
75	192	EHD1922A1K00000000
Frame Size DX		
100	248	EHD2482A1K00000000
125	312	EHD3122A1K00000000

230 V – NEMA Type 12

Horsepower	Drive Rated NEC Amps	Catalog Number
Frame Size H3X		
1	4.2	EHD4D22A2J00000000
1.5	6	EHD6D02A2J00000000
2	6.8	EHD6D82A2J00000000
3	9.6	EHD9D62A2J00000000
5	15.2	EHD0152A2J00000000
7.5	22	EHD0222A2J00000000
10	28	EHD0282A2J00000000
15	42	EHD0422A2J00000000
20	54	EHD0542A2J00000000
Frame Size BX		
25	68	EHD0682A2K00000000
30	80	EHD0802A2K00000000
40	104	EHD1042A2K00000000
Frame Size CX		
50	130	EHD1302A2K00000000
60	154	EHD1542A2K00000000
75	192	EHD1922A2K00000000
Frame Size DX		
100	248	EHD2482A2K00000000
125	312	EHD3122A2K00000000

230 V – NEMA Type 3R

Horsepower	Drive Rated NEC Amps	Catalog Number
Frame Size H3X		
1	4.2	EHD4D22A3J00000000
1.5	6	EHD6D02A3J00000000
2	6.8	EHD6D82A3J00000000
3	9.6	EHD9D62A3J00000000
5	15.2	EHD0152A3J00000000
7.5	22	EHD0222A3J00000000
10	28	EHD0282A3J00000000
15	42	EHD0422A3J00000000
20	54	EHD0542A3J00000000
Frame Size BX		
25	68	EHD0682A3K00000000
30	80	EHD0802A3K00000000
40	104	EHD1042A3K00000000
Frame Size CX		
50	130	EHD1302A3K00000000
60	154	EHD1542A3K00000000
75	192	EHD1922A3K00000000
Frame Size DX		
100	248	EHD2482A3K00000000
125	312	EHD3122A3K00000000

EHD_



480 V – NEMA Type 1

Horsepower	Drive Rated NEC Amps	Catalog Number
Frame Size H1S		
1.5	3	EHD3D04A1J00000000
2	3.4	EHD3D44A1J00000000
3	4.8	EHD4D84A1J00000000
5	7.6	EHD7D64A1J00000000
7.5	11	EHD0114A1J00000000
Frame Size H2		
10	14	EHD0144A1J00000000
15	21	EHD0214A1J00000000
20	27	EHD0274A1J00000000
Frame Size H3		
25	34	EHD0344A1J00000000
30	40	EHD0404A1J00000000
40	52	EHD0524A1J00000000
Frame Size H4		
50	65	EHD0654A1K00000000
60	77	EHD0774A1K00000000
75	96	EHD0964A1K00000000
Frame Size CX		
100	124	EHD1244A1K00000000
125	156	EHD1564A1K00000000
150	180	EHD1804A1K00000000
Frame Size DX		
200	240	EHD2404A1K00000000
250	302	EHD3024A1K00000000

480 V – NEMA Type 12

Horsepower	Drive Rated NEC Amps	Catalog Number
Frame Size H3X		
1.5	3	EHD3D04A2J00000000
2	3.4	EHD3D44A2J00000000
3	4.8	EHD4D84A2J00000000
5	7.6	EHD7D64A2J00000000
7.5	11	EHD0114A2J00000000
10	14	EHD0144A2J00000000
15	21	EHD0214A2J00000000
20	27	EHD0274A2J00000000
25	34	EHD0344A2J00000000
30	40	EHD0404A2J00000000
40	52	EHD0524A2J00000000
Frame Size BX		
50	65	EHD0654A2K00000000
60	77	EHD0774A2K00000000
75	96	EHD0964A2K00000000
Frame Size CX		
100	124	EHD1244A2K00000000
125	156	EHD1564A2K00000000
150	180	EHD1804A2K00000000
Frame Size DX		
200	240	EHD2404A2K00000000
250	302	EHD3024A2K00000000

480 V – NEMA Type 3R

Horsepower	Drive Rated NEC Amps	Catalog Number
Frame Size H3X		
1.5	3	EHD3D04A3J00000000
2	3.4	EHD3D44A3J00000000
3	4.8	EHD4D84A3J00000000
5	7.6	EHD7D64A3J00000000
7.5	11	EHD0114A3J00000000
10	14	EHD0144A3J00000000
15	21	EHD0214A3J00000000
20	27	EHD0274A3J00000000
25	34	EHD0344A3J00000000
30	40	EHD0404A3J00000000
40	52	EHD0524A3J00000000
Frame Size BX		
50	65	EHD0654A3K00000000
60	77	EHD0774A3K00000000
75	96	EHD0964A3K00000000
Frame Size CX		
100	124	EHD1244A3K00000000
125	156	EHD1564A3K00000000
150	180	EHD1804A3K00000000
Frame Size DX		
200	240	EHD2404A3K00000000
250	302	EHD3024A3K00000000

EHD_

**575 V – NEMA Type 1**

Horsepower	Drive Rated NEC Amps	Catalog Number
Frame Size H1		
3	3.9	EHD3D95A1K00000000
5	6.1	EHD6D15A1K00000000
7.5	9	EHD9D05A1K00000000
Frame Size H2		
10	11	EHD0115A1K00000000
15	17	EHD0175A1K00000000
20	22	EHD0225A1K00000000
Frame Size H3		
25	27	EHD0275A1K00000000
30	32	EHD0325A1K00000000
40	41	EHD0415A1K00000000
Frame Size H4		
50	52	EHD0525A1K00000000
60	62	EHD0625A1K00000000
75	77	EHD0775A1K00000000
Frame Size CX		
100	99	EHD0995A1K00000000
125	125	EHD1255A1K00000000
150	144	EHD1445A1K00000000
Frame Size DX		
200	192	EHD1925A1K00000000
250	242	EHD2425A1K00000000

575 V – NEMA Type 12

Horsepower	Drive Rated NEC Amps	Catalog Number
Frame Size H3X		
3	3.9	EHD3D95A2K00000000
5	6.1	EHD6D15A2K00000000
7.5	9	EHD9D05A2K00000000
10	11	EHD0115A2K00000000
15	17	EHD0175A2K00000000
20	22	EHD0225A2K00000000
25	27	EHD0275A2K00000000
30	32	EHD0325A2K00000000
40	41	EHD0415A2K00000000
Frame Size BX		
50	52	EHD0525A2K00000000
60	62	EHD0625A2K00000000
75	77	EHD0775A2K00000000
Frame Size CX		
100	99	EHD0995A2K00000000
125	125	EHD1255A2K00000000
150	144	EHD1445A2K00000000
Frame Size DX		
200	192	EHD1925A2K00000000
250	242	EHD2425A2K00000000

575 V – NEMA Type 3R

Horsepower	Drive Rated NEC Amps	Catalog Number
Frame Size H3X		
3	3.9	EHD3D95A3K00000000
5	6.1	EHD6D15A3K00000000
7.5	9	EHD9D05A3K00000000
10	11	EHD0115A3K00000000
15	17	EHD0175A3K00000000
20	22	EHD0225A3K00000000
25	27	EHD0275A3K00000000
30	32	EHD0325A3K00000000
40	41	EHD0415A3K00000000
Frame Size BX		
50	52	EHD0525A3K00000000
60	62	EHD0625A3K00000000
75	77	EHD0775A3K00000000
Frame Size CX		
100	99	EHD0995A3K00000000
125	125	EHD1255A3K00000000
150	144	EHD1445A3K00000000
Frame Size DX		
200	192	EHD1925A3K00000000
250	242	EHD2425A3K00000000

EHB—DH1 Bypass

2



EHB_

208 V—NEMA Type 1

Horsepower	Drive Rated NEC Amps	Catalog Number ①
Frame Size H1S		
1	4.6	EHB4D61A1JS0000000
1.5	6.6	EHB6D61A1JS0000000
2	7.5	EHB7D51A1JS0000000
3	10.6	EHB0101A1JS0000000
Frame Size H2S		
5	16.7	EHB0161A1JS0000000
7.5	24.3	EHB0241A1JS0000000
10	30.8	EHB0301A1JS0000000
Frame Size H3		
15	46.2	EHB0461A1JS0000000
20	59.4	EHB0591A1JS0000000
Frame Size H4		
25	74.8	EHB0741A1KS0000000
30	88	EHB0881A1KS0000000
40	114	EHB1141A1KS0000000
Frame Size DX		
50	143	EHB1431A1KS0000000
60	169	EHB1691A1KS0000000
75	211	EHB2111A1KS0000000
100	273	EHB2731A1KS0000000

208 V—NEMA Type 12

Horsepower	Drive Rated NEC Amps	Catalog Number
Frame Size H3X		
1	4.6	EHB4D61A2JS0000000
1.5	6.6	EHB6D61A2JS0000000
2	7.5	EHB7D51A2JS0000000
3	10.6	EHB0101A2JS0000000
5	16.7	EHB0161A2JS0000000
7.5	24.3	EHB0241A2JS0000000
10	30.8	EHB0301A2JS0000000
15	46.2	EHB0461A2JS0000000
20	59.4	EHB0591A2JS0000000
Frame Size CX		
25	74.8	EHB0741A2KS0000000
30	88	EHB0881A2KS0000000
40	114	EHB1141A2KS0000000
Frame Size DX		
50	143	EHB1431A2KS0000000
60	169	EHB1691A2KS0000000
75	211	EHB2111A2KS0000000
100	273	EHB2731A2KS0000000

208 V—NEMA Type 3R

Horsepower	Drive Rated NEC Amps	Catalog Number
Frame Size H3X		
1	4.6	EHB4D61A3JS0000000
1.5	6.6	EHB6D61A3JS0000000
2	7.5	EHB7D51A3JS0000000
3	10.6	EHB0101A3JS0000000
5	16.7	EHB0161A3JS0000000
7.5	24.3	EHB0241A3JS0000000
10	30.8	EHB0301A3JS0000000
15	46.2	EHB0461A3JS0000000
20	59.4	EHB0591A3JS0000000
Frame Size CX		
25	74.8	EHB0741A3KS0000000
30	88	EHB0881A3KS0000000
40	114	EHB1141A3KS0000000
Frame Size DX		
50	143	EHB1431A3KS0000000
60	169	EHB1691A3KS0000000
75	211	EHB2111A3KS0000000
100	273	EHB2731A3KS0000000

Note

① Two contactors.

EHB_



230 V – NEMA Type 1

Horsepower	Drive Rated NEC Amps	Catalog Number ^①
Frame Size H1S		
1	4.2	EHB4D22A1JS0000000
1.5	6	EHB6D02A1JS0000000
2	6.8	EHB6D82A1JS0000000
3	9.6	EHB9D62A1JS0000000
Frame Size H2S		
5	15.2	EHB0152A1JS0000000
7.5	22	EHB0222A1JS0000000
10	28	EHB0282A1JS0000000
Frame Size H3		
15	42	EHB0422A1JS0000000
20	54	EHB0542A1JS0000000
Frame Size H4		
25	68	EHB0682A1KS0000000
30	80	EHB0802A1KS0000000
40	104	EHB1042A1KS0000000
Frame Size DX		
50	130	EHB1302A1KS0000000
60	154	EHB1542A1KS0000000
75	192	EHB1922A1KS0000000
100	248	EHB2482A1KS0000000
125	312	EHB3122A1KS0000000

230 V – NEMA Type 12

Horsepower	Drive Rated NEC Amps	Catalog Number
Frame Size H3X		
1	4.2	EHB4D22A2JS0000000
1.5	6	EHB6D02A2JS0000000
2	6.8	EHB6D82A2JS0000000
3	9.6	EHB9D62A2JS0000000
5	15.2	EHB0152A2JS0000000
7.5	22	EHB0222A2JS0000000
10	28	EHB0282A2JS0000000
15	42	EHB0422A2JS0000000
20	54	EHB0542A2JS0000000
Frame Size CX		
25	68	EHB0682A2KS0000000
30	80	EHB0802A2KS0000000
40	104	EHB1042A2KS0000000
Frame Size DX		
50	130	EHB1302A2KS0000000
60	154	EHB1542A2KS0000000
75	192	EHB1922A2KS0000000
100	248	EHB2482A2KS0000000
125	312	EHB3122A2KS0000000

230 V – NEMA Type 3R

Horsepower	Drive Rated NEC Amps	Catalog Number
Frame Size H3X		
1	4.2	EHB4D22A3JS0000000
1.5	6	EHB6D02A3JS0000000
2	6.8	EHB6D82A3JS0000000
3	9.6	EHB9D62A3JS0000000
5	15.2	EHB0152A3JS0000000
7.5	22	EHB0222A3JS0000000
10	28	EHB0282A3JS0000000
15	42	EHB0422A3JS0000000
20	54	EHB0542A3JS0000000
Frame Size CX		
25	68	EHB0682A3KS0000000
30	80	EHB0802A3KS0000000
40	104	EHB1042A3KS0000000
Frame Size DX		
50	130	EHB1302A3KS0000000
60	154	EHB1542A3KS0000000
75	192	EHB1922A3KS0000000
100	248	EHB2482A3KS0000000
125	312	EHB3122A3KS0000000

Note

① Two contactors.

EHB_

2



480 V – NEMA Type 1

Horsepower	Drive Rated NEC Amps	Catalog Number ^①
Frame Size H1S		
1.5	3	EHB3D04A1JS0000000
2	3.4	EHB3D44A1JS0000000
3	4.8	EHB4D84A1JS0000000
5	7.6	EHB7D64A1JS0000000
7.5	11	EHB0114A1JS0000000
Frame Size H2S		
10	14	EHB0144A1JS0000000
15	21	EHB0214A1JS0000000
20	27	EHB0274A1JS0000000
Frame Size H3		
25	34	EHB0344A1JS0000000
30	40	EHB0404A1JS0000000
40	52	EHB0524A1JS0000000
Frame Size H4		
50	65	EHB0654A1KS0000000
60	77	EHB0774A1KS0000000
75	96	EHB0964A1KS0000000
Frame Size DX		
100	124	EHB1244A1KS0000000
125	156	EHB1564A1KS0000000
150	180	EHB1804A1KS0000000
200	240	EHB2404A1KS0000000
250	302	EHB3024A1KS0000000

480 V – NEMA Type 12

Horsepower	Drive Rated NEC Amps	Catalog Number
Frame Size H3X		
1.5	3	EHB3D04A2JS0000000
2	3.4	EHB3D44A2JS0000000
3	4.8	EHB4D84A2JS0000000
5	7.6	EHB7D64A2JS0000000
7.5	11	EHB0114A2JS0000000
10	14	EHB0144A2JS0000000
15	21	EHB0214A2JS0000000
20	27	EHB0274A2JS0000000
25	34	EHB0344A2JS0000000
30	40	EHB0404A2JS0000000
40	52	EHB0524A2JS0000000
Frame Size CX		
50	65	EHB0654A2KS0000000
60	77	EHB0774A2KS0000000
75	96	EHB0964A2KS0000000
Frame Size DX		
100	124	EHB1244A2KS0000000
125	156	EHB1564A2KS0000000
150	180	EHB1804A2KS0000000
200	240	EHB2404A2KS0000000
250	302	EHB3024A2KS0000000

480 V – NEMA Type 3R

Horsepower	Drive Rated NEC Amps	Catalog Number
Frame Size H3X		
1.5	3	EHB3D04A3JS0000000
2	3.4	EHB3D44A3JS0000000
3	4.8	EHB4D84A3JS0000000
5	7.6	EHB7D64A3JS0000000
7.5	11	EHB0114A3JS0000000
10	14	EHB0144A3JS0000000
15	21	EHB0214A3JS0000000
20	27	EHB0274A3JS0000000
25	34	EHB0344A3JS0000000
30	40	EHB0404A3JS0000000
40	52	EHB0524A3JS0000000
Frame Size CX		
50	65	EHB0654A3KS0000000
60	77	EHB0774A3KS0000000
75	96	EHB0964A3KS0000000
Frame Size DX		
100	124	EHB1244A3KS0000000
125	156	EHB1564A3KS0000000
150	180	EHB1804A3KS0000000
200	240	EHB2404A3KS0000000
250	302	EHB3024A3KS0000000

Note

① Two contactors.

EHB_



575 V – NEMA Type 1

Horsepower	Drive Rated NEC Amps	Catalog Number ^①
Frame Size H1		
3	3.9	EHB3D95A1KS0000000
5	6.1	EHB6D15A1KS0000000
7.5	9	EHB9D05A1KS0000000
Frame Size H2		
10	11	EHB0115A1KS0000000
15	17	EHB0175A1KS0000000
20	22	EHB0225A1KS0000000
Frame Size H3		
25	27	EHB0275A1KS0000000
30	32	EHB0325A1KS0000000
40	41	EHB0415A1KS0000000
Frame Size H4		
50	52	EHB0525A1KS0000000
60	62	EHB0625A1KS0000000
75	77	EHB0775A1KS0000000
Frame Size DX		
100	99	EHB0995A1KS0000000
125	125	EHB1255A1KS0000000
150	144	EHB1445A1KS0000000
200	192	EHB1925A1KS0000000
250	242	EHB2425A1KS0000000

575 V – NEMA Type 12

Horsepower	Drive Rated NEC Amps	Catalog Number
Frame Size H3X		
3	3.9	EHB3D95A2KS0000000
5	6.1	EHB6D15A2KS0000000
7.5	9	EHB9D05A2KS0000000
10	11	EHB0115A2KS0000000
15	17	EHB0175A2KS0000000
20	22	EHB0225A2KS0000000
25	27	EHB0275A2KS0000000
30	32	EHB0325A2KS0000000
40	41	EHB0415A2KS0000000
Frame Size CX		
50	52	EHB0525A2KS0000000
60	62	EHB0625A2KS0000000
75	77	EHB0775A2KS0000000
Frame Size DX		
100	99	EHB0995A2KS0000000
125	125	EHB1255A2KS0000000
150	144	EHB1445A2KS0000000
200	192	EHB1925A2KS0000000
250	242	EHB2425A2KS0000000

575 V – NEMA Type 3R

Horsepower	Drive Rated NEC Amps	Catalog Number
Frame Size H3X		
3	3.9	EHB2425A3KS0000000
5	6.1	EHB3D95A3KS0000000
7.5	9	EHB6D15A3KS0000000
10	11	EHB9D05A3KS0000000
15	17	EHB0115A3KS0000000
20	22	EHB0175A3KS0000000
25	27	EHB0225A3KS0000000
30	32	EHB0275A3KS0000000
40	41	EHB0325A3KS0000000
Frame Size CX		
50	52	EHB0415A3KS0000000
60	62	EHB0525A3KS0000000
75	77	EHB0625A3KS0000000
Frame Size DX		
100	99	EHB0775A3KS0000000
125	125	EHB0995A3KS0000000
150	144	EHB1255A3KS0000000
200	192	EHB1445A3KS0000000
250	242	EHB1925A3KS0000000

Note

① Two contactors.

Options**DH1 Series Drives Options****2****Option Boards Slots 1 and 2**

Description	Suffix Number	Catalog Number
None	0	—
3 x DI, 3 x DO, 1 x thermistor, 24 Vdc/EXT option card	1	DXG-EXT-3DI3DO1T
1 x AI, 2 x AO (isolated to control board) option card	2	DXG-EXT-1AI2AO
3 x relay dry contact (2NO + 1NO/NC) option card	3	DXG-EXT-3R0
3 x PT100 RTD thermistor input option card	4	DXG-EXT-THER1
6 x DI 240 Vac input option card	5	DXG-EXT-6DI

Light Options

Description	Suffix Number
None	0
Non-bypass light kit (Power On, Run, Fault)	1
Bypass light kit (On, VFD Run, Fault, Bypass Run)	2

Enclosure Options

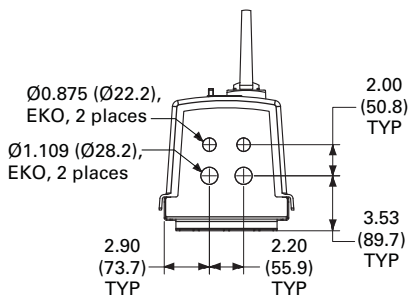
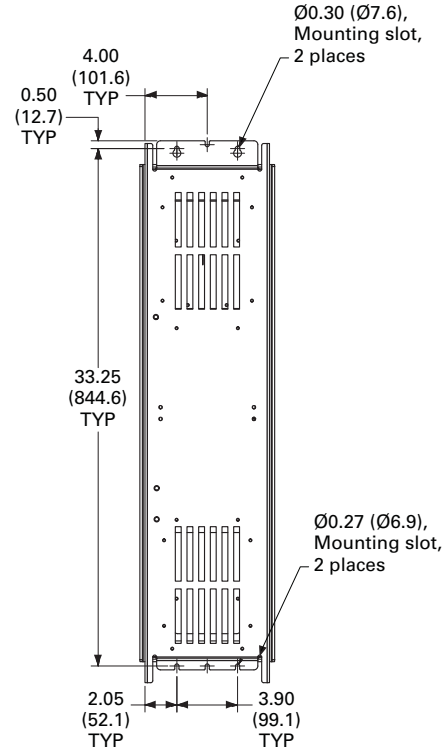
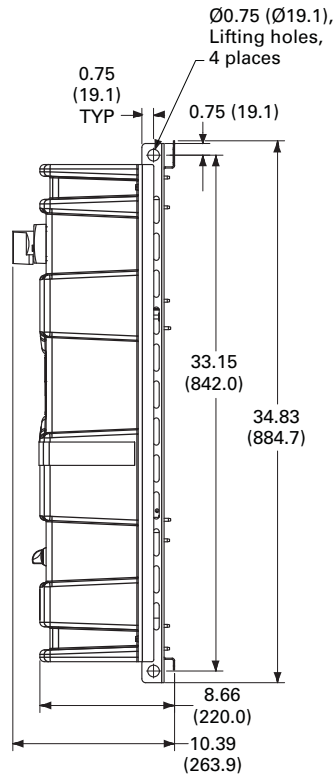
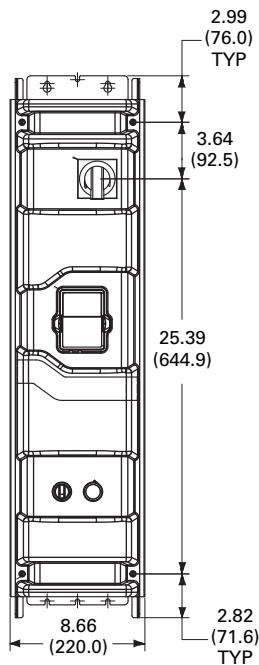
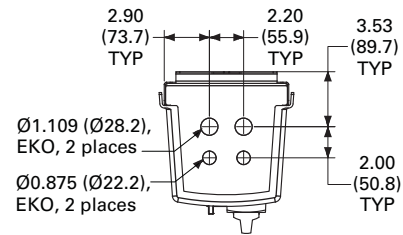
Description	Suffix Number
None	0
Floor stand—12 inches	1
Floor stand—22 inches	2
Space heater	A
Space heater and 12-inch floor stands	B
Space heater and 22-inch floor stands	C

Note: Floor stands are only an option for BX and CX enclosures.

Note: No communication options.

Dimensions

Approximate Dimensions in Inches (mm)

H1S

2.8

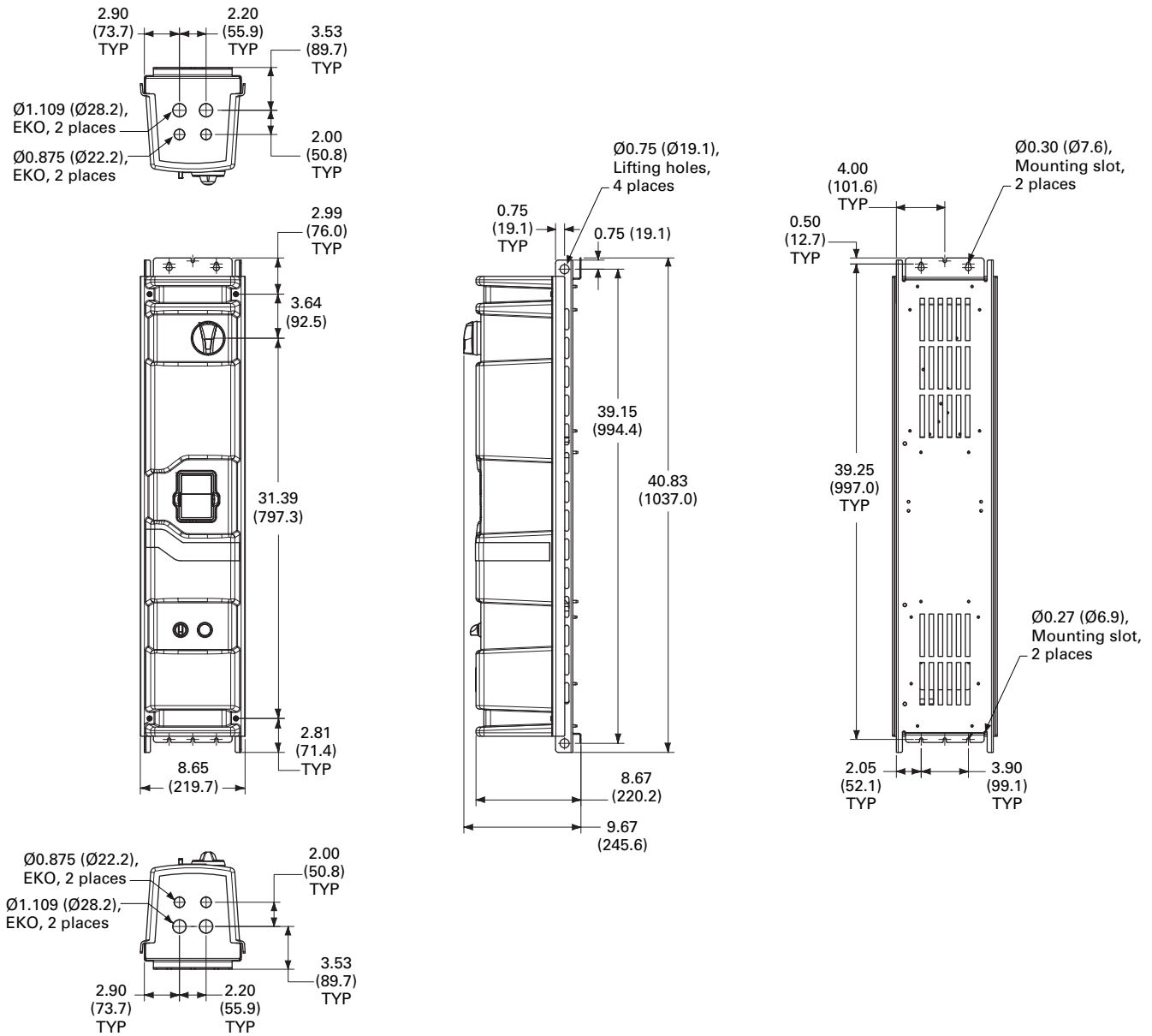
Adjustable Frequency Drives

PowerXL DH1 Series Drives

Approximate Dimensions in Inches (mm)

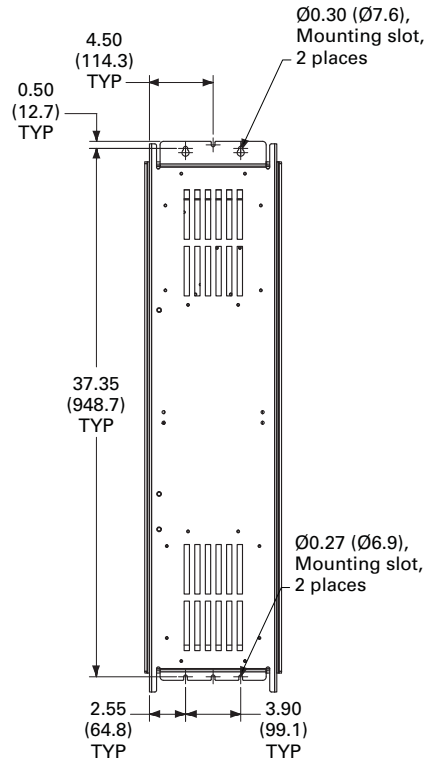
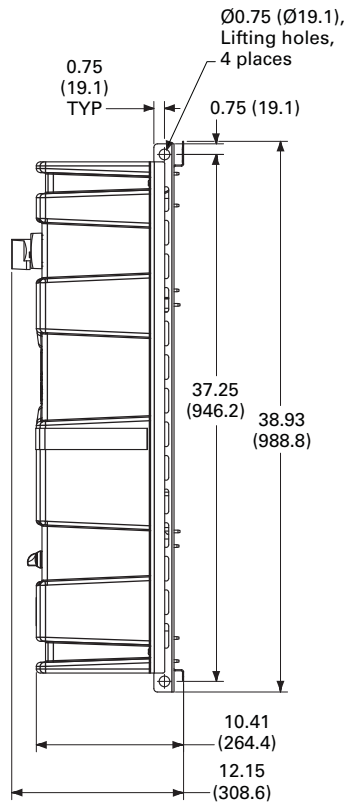
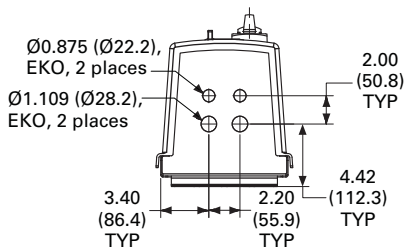
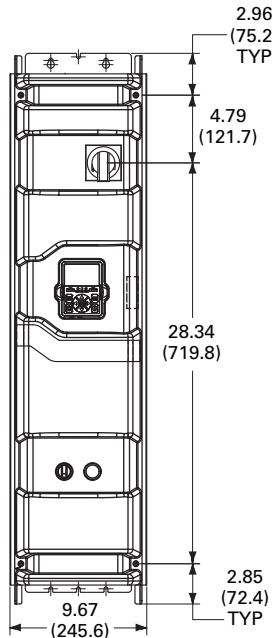
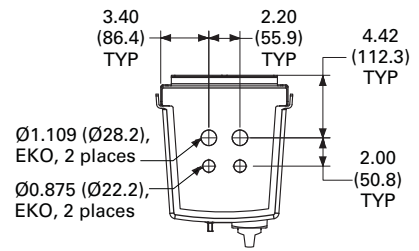
H1

2



Approximate Dimensions in Inches (mm)

H2S



2.8

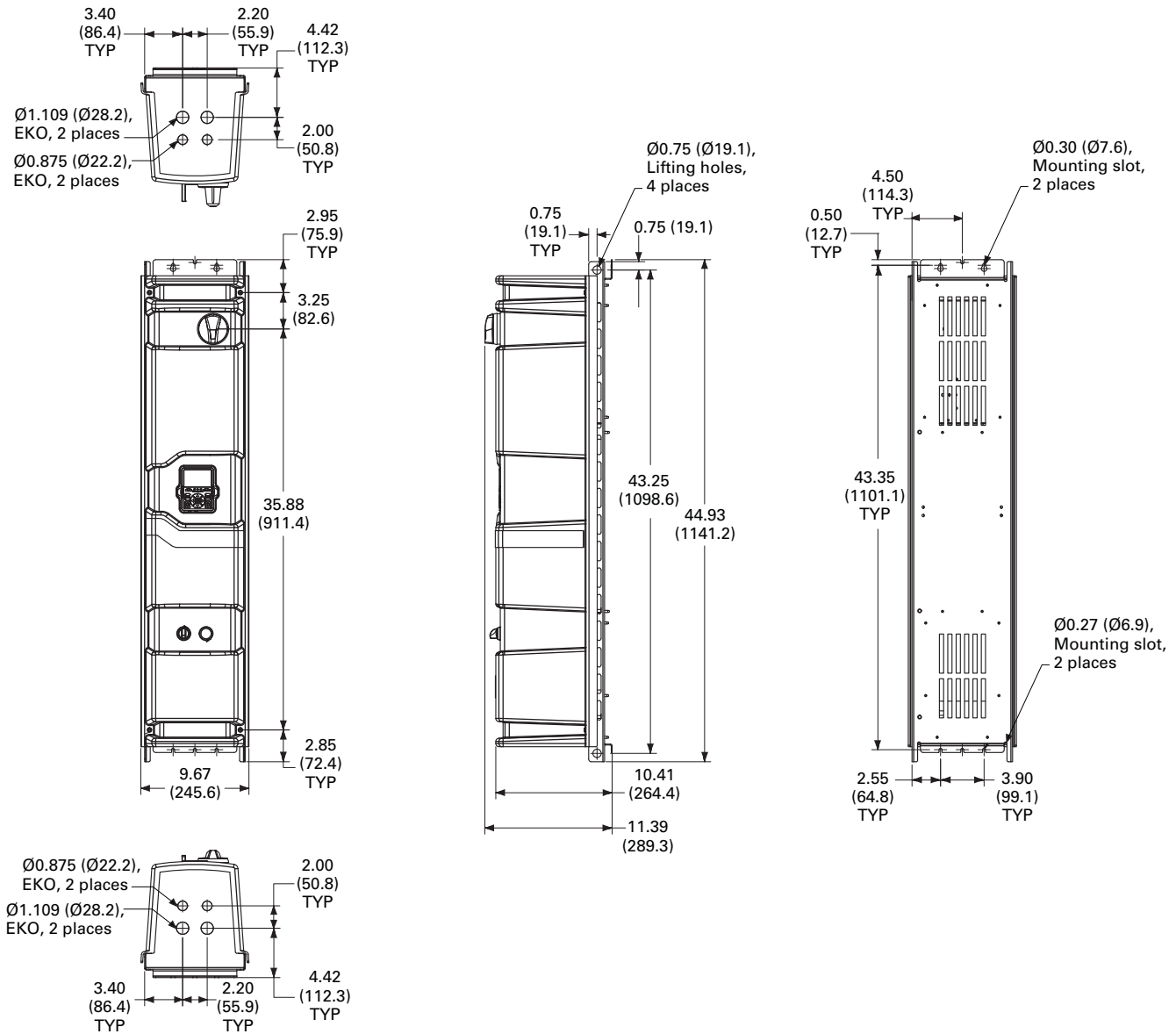
Adjustable Frequency Drives

PowerXL DH1 Series Drives

Approximate Dimensions in Inches (mm)

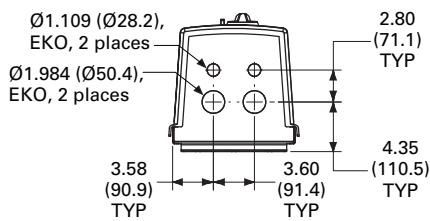
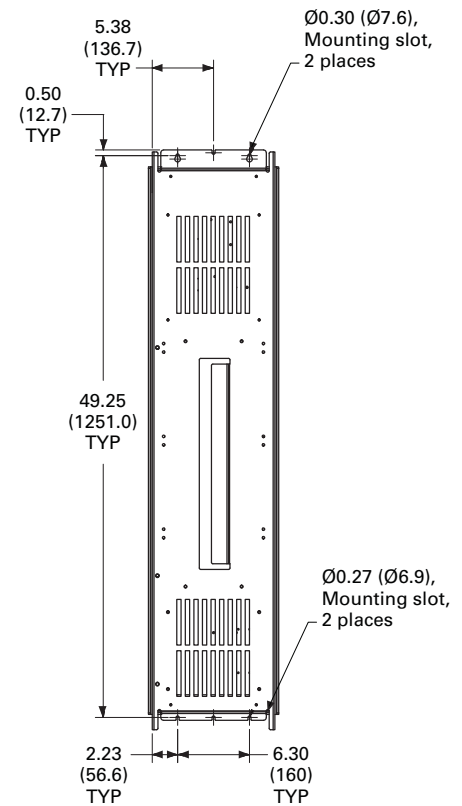
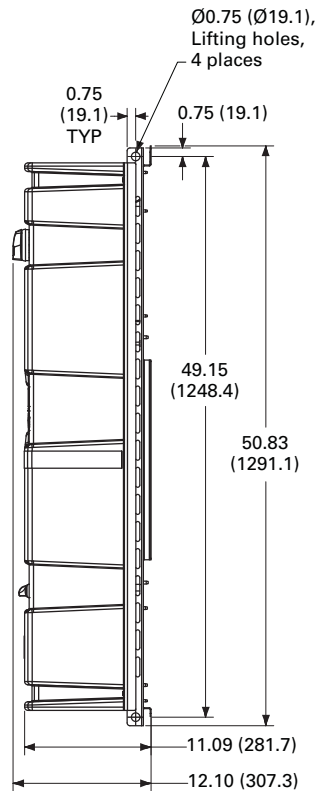
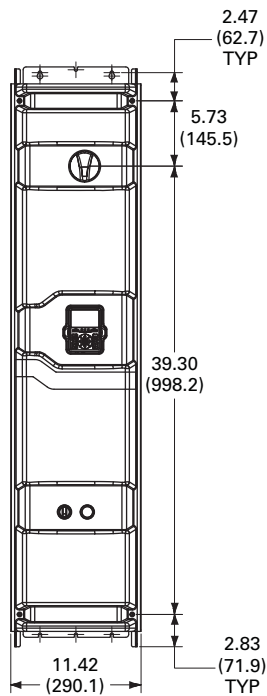
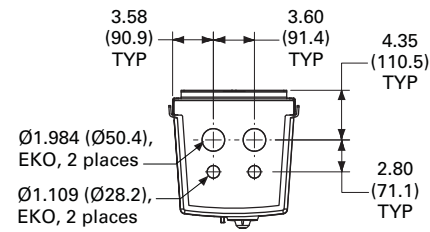
H2

2



Approximate Dimensions in Inches (mm)

H3



2.8

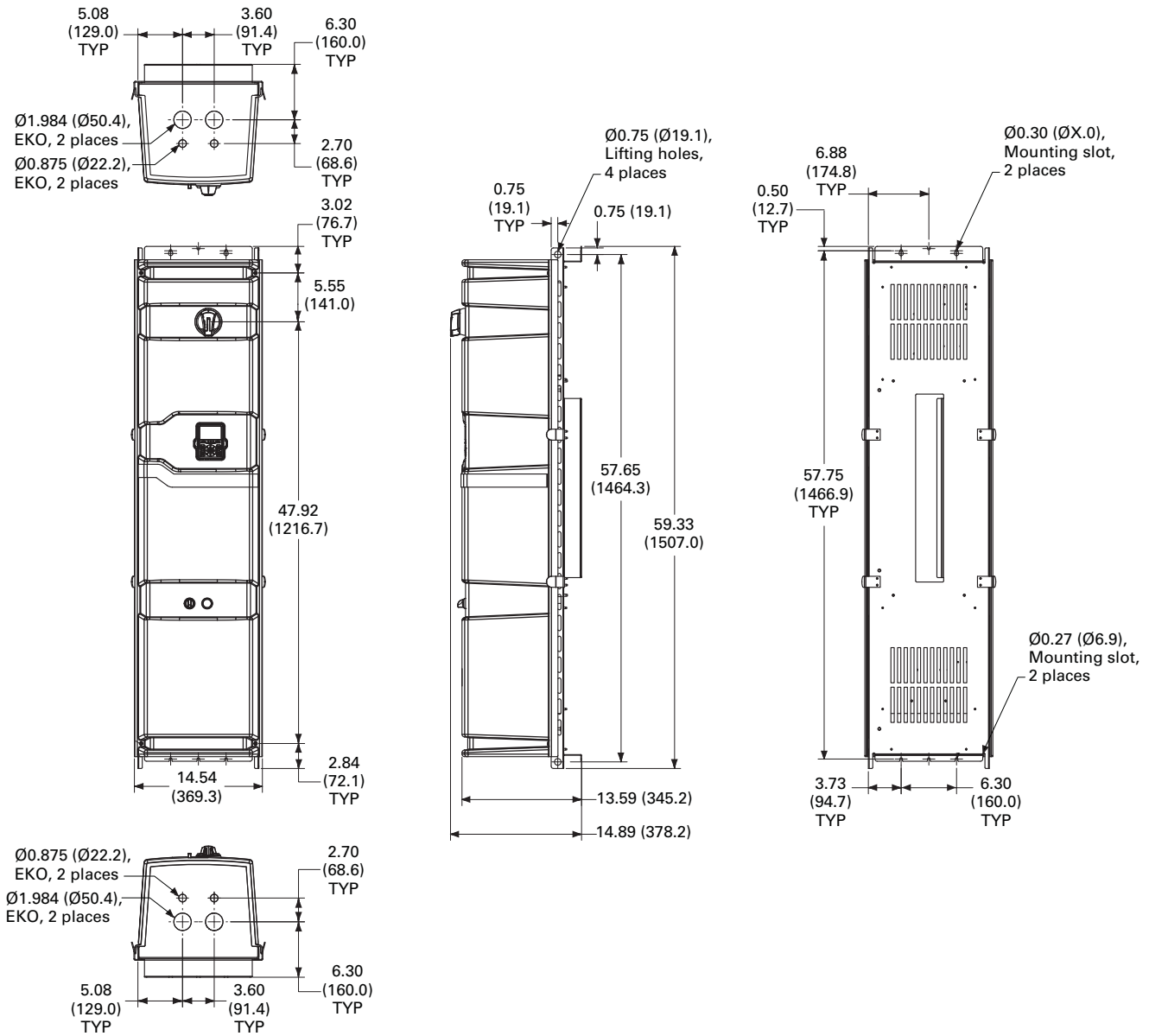
Adjustable Frequency Drives

PowerXL DH1 Series Drives

Approximate Dimensions in Inches (mm)

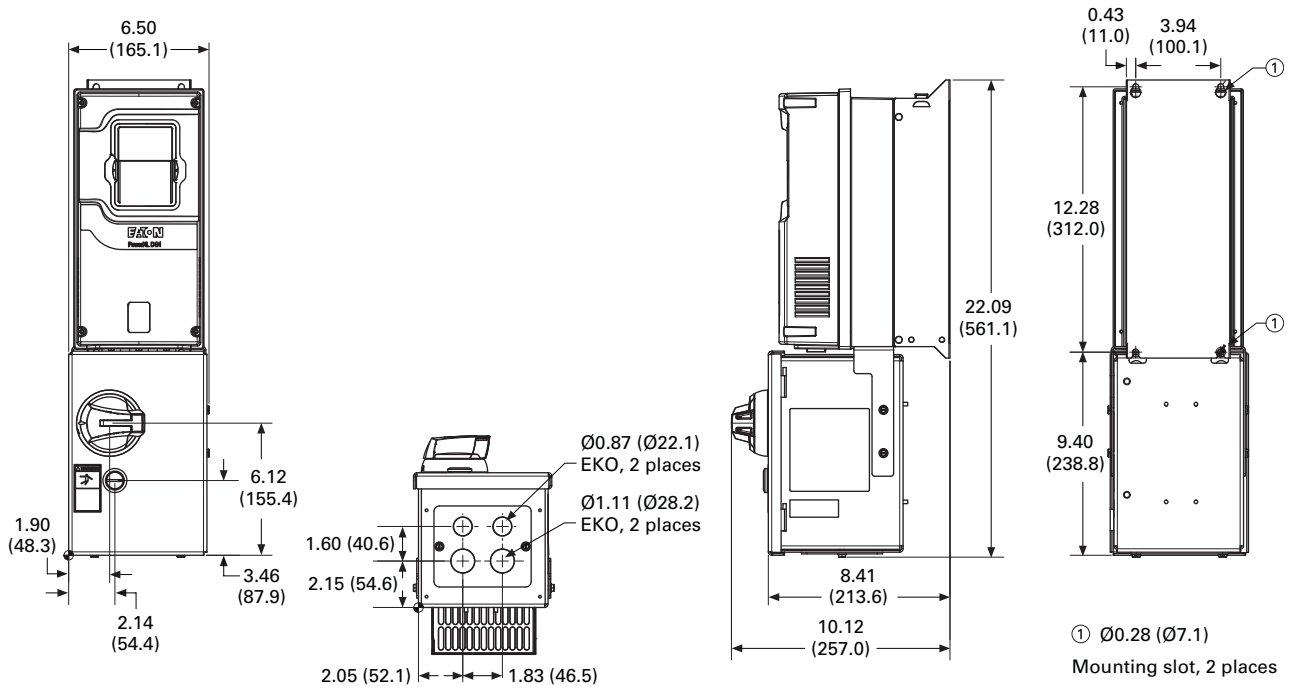
H4

2

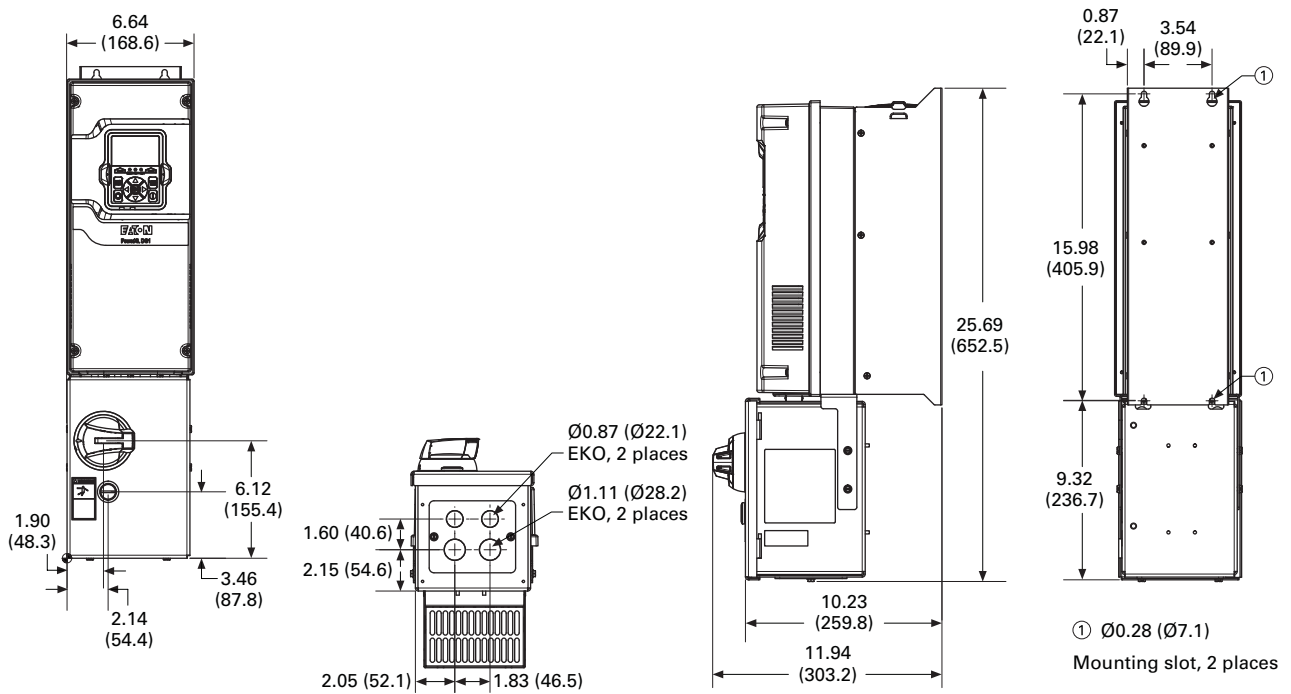


Approximate Dimensions in Inches (mm)

H1D



H2D



2.8

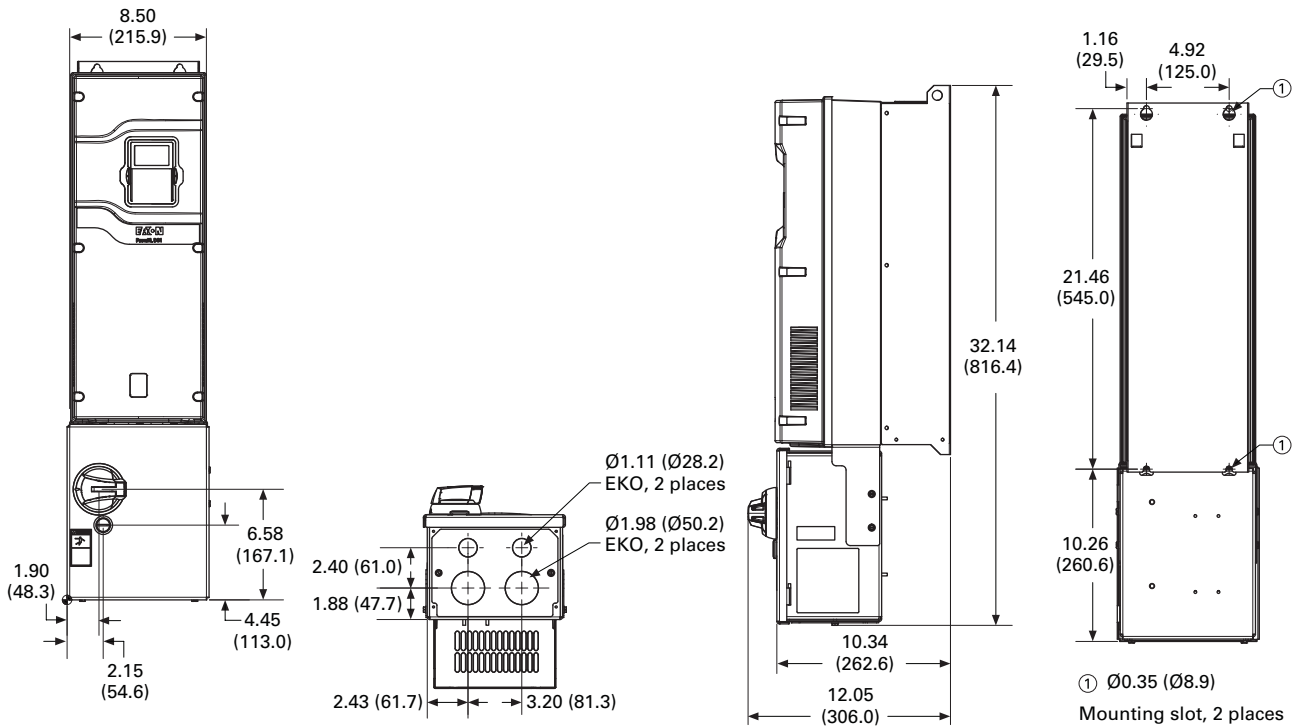
Adjustable Frequency Drives

PowerXL DH1 Series Drives

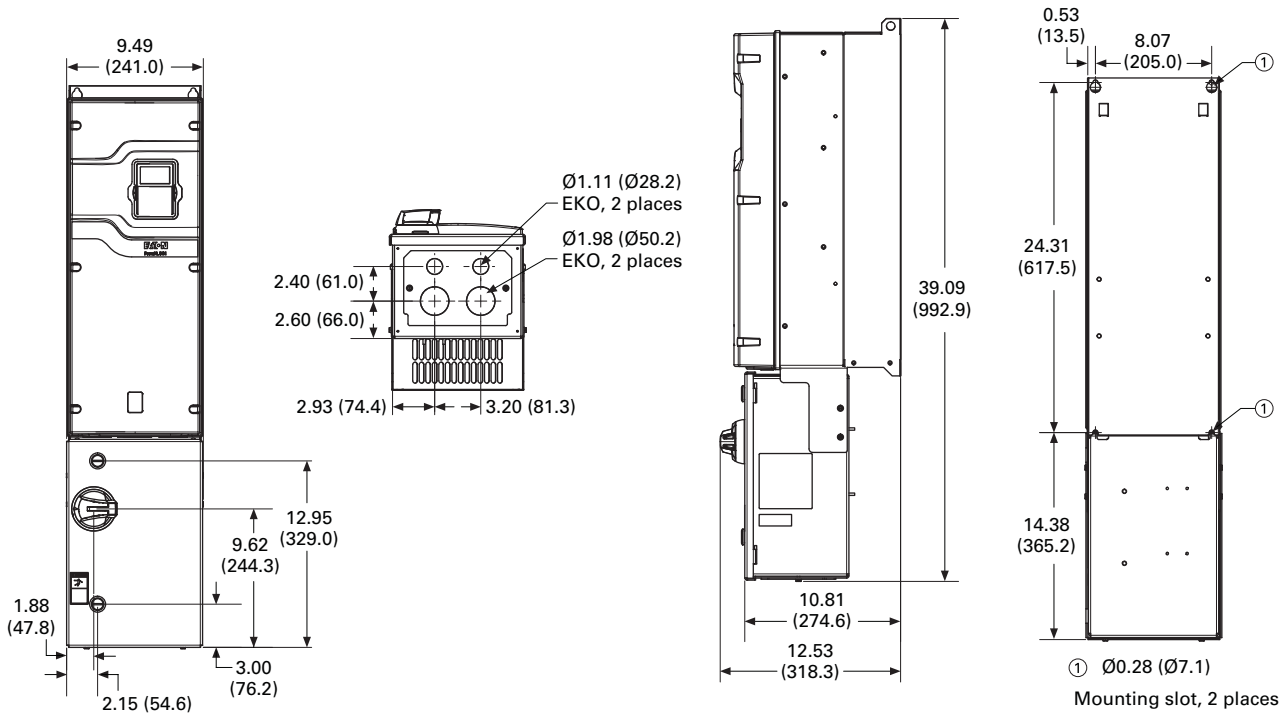
Approximate Dimensions in Inches (mm)

H3D

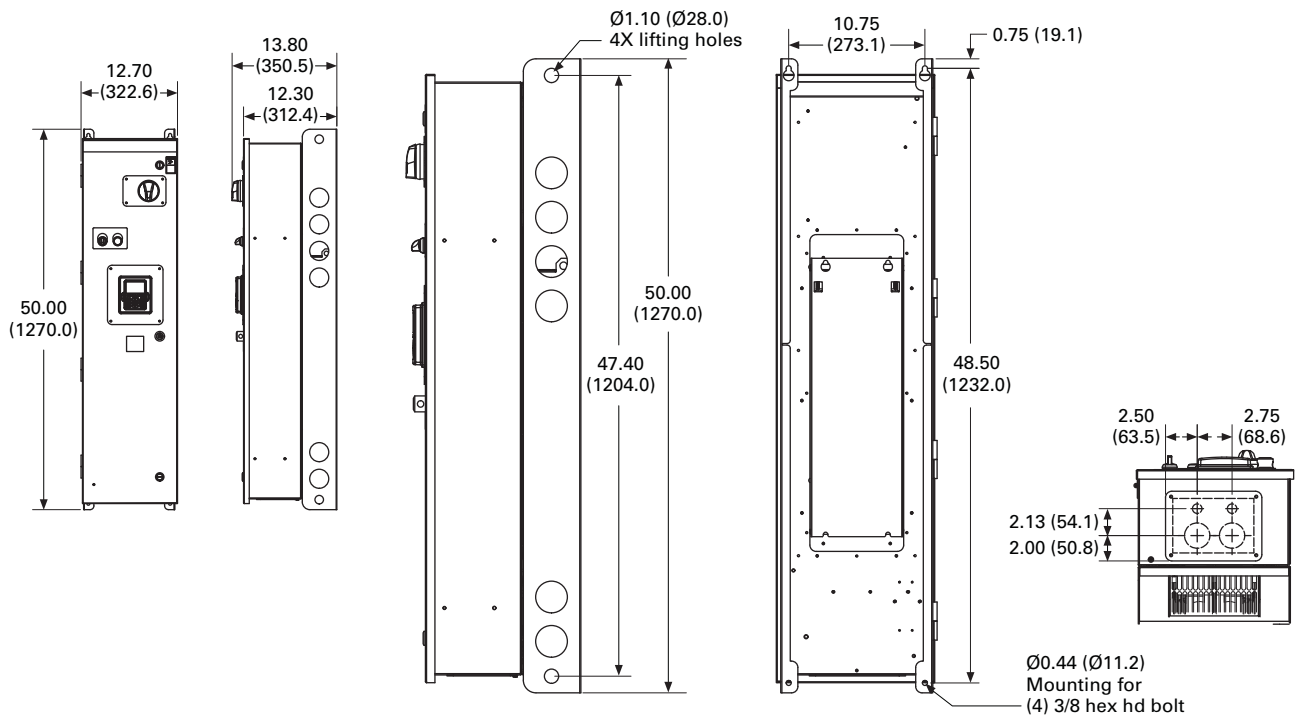
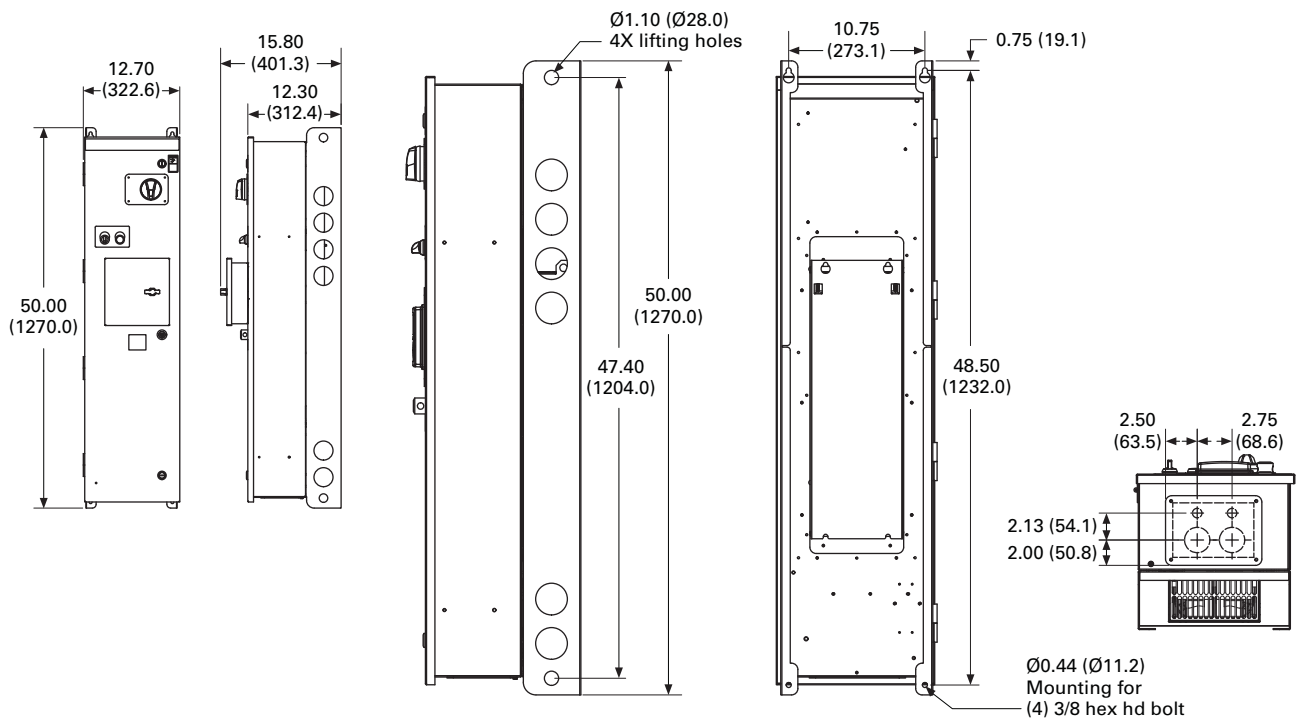
2



H4D



Approximate Dimensions in Inches (mm)

H3X—Type 12**H3X—Type 3R**

2.8

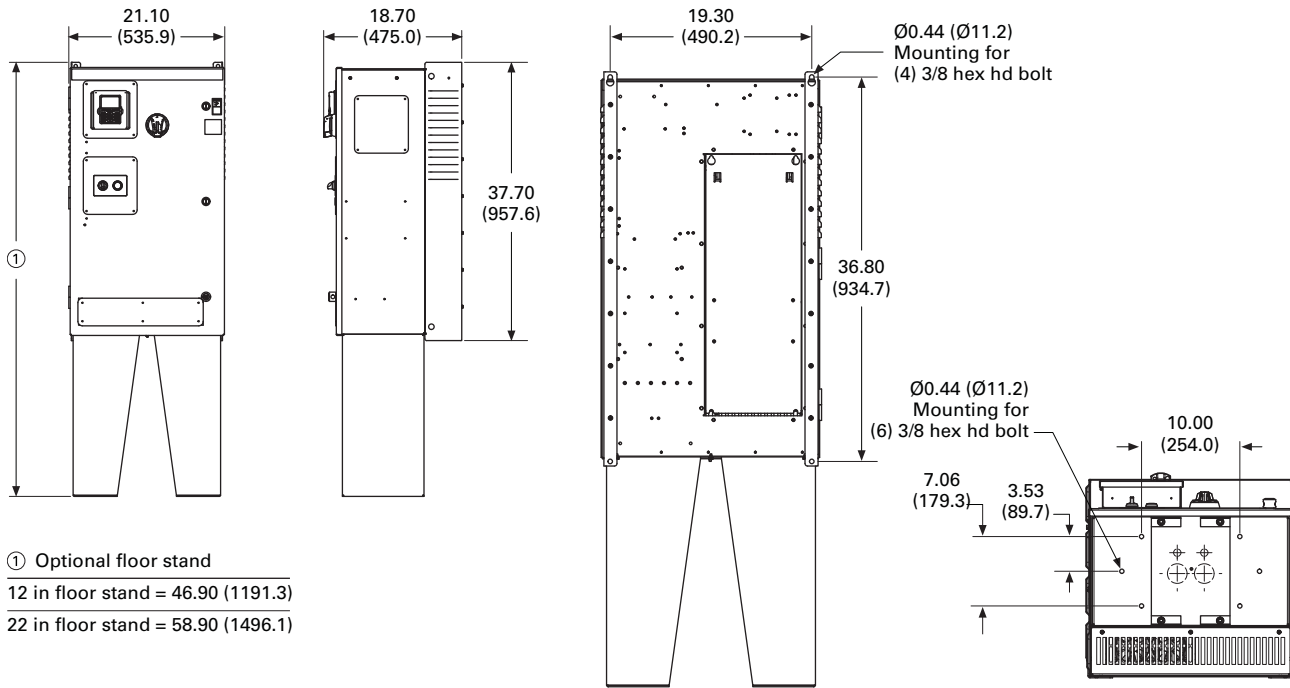
Adjustable Frequency Drives

PowerXL DH1 Series Drives

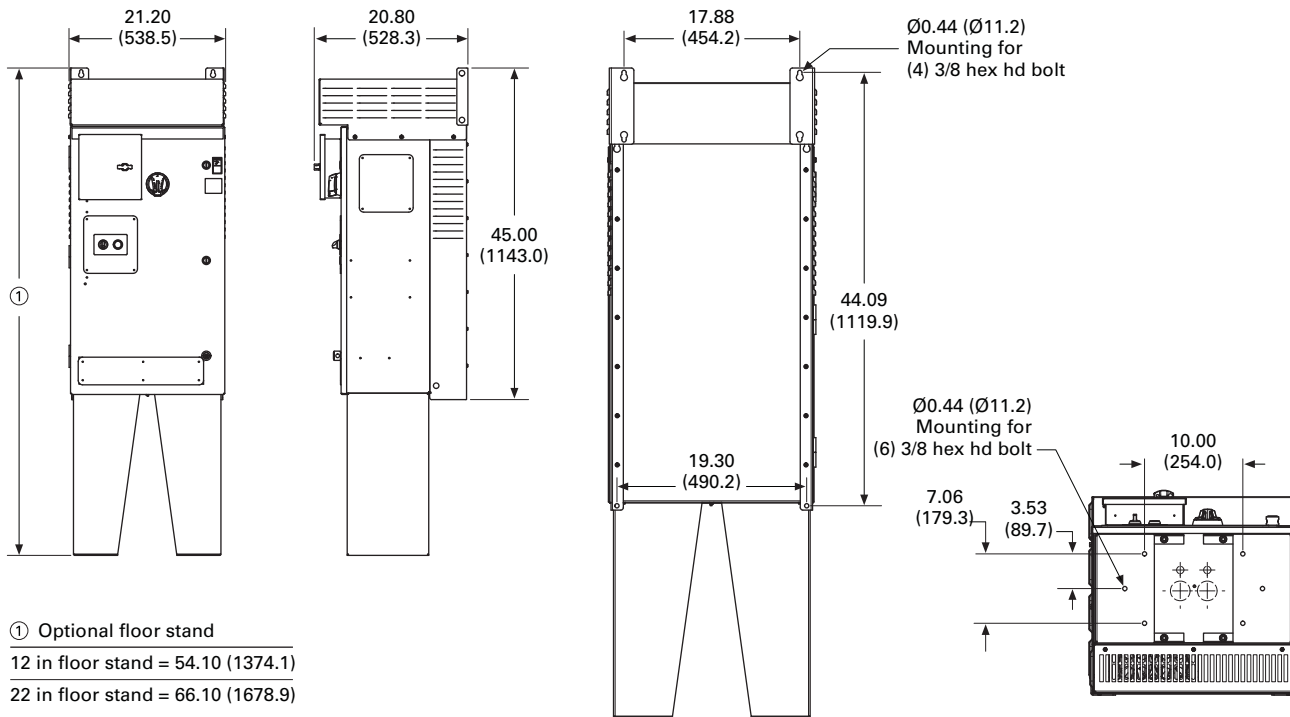
Approximate Dimensions in Inches (mm)

BX—Type 12

2

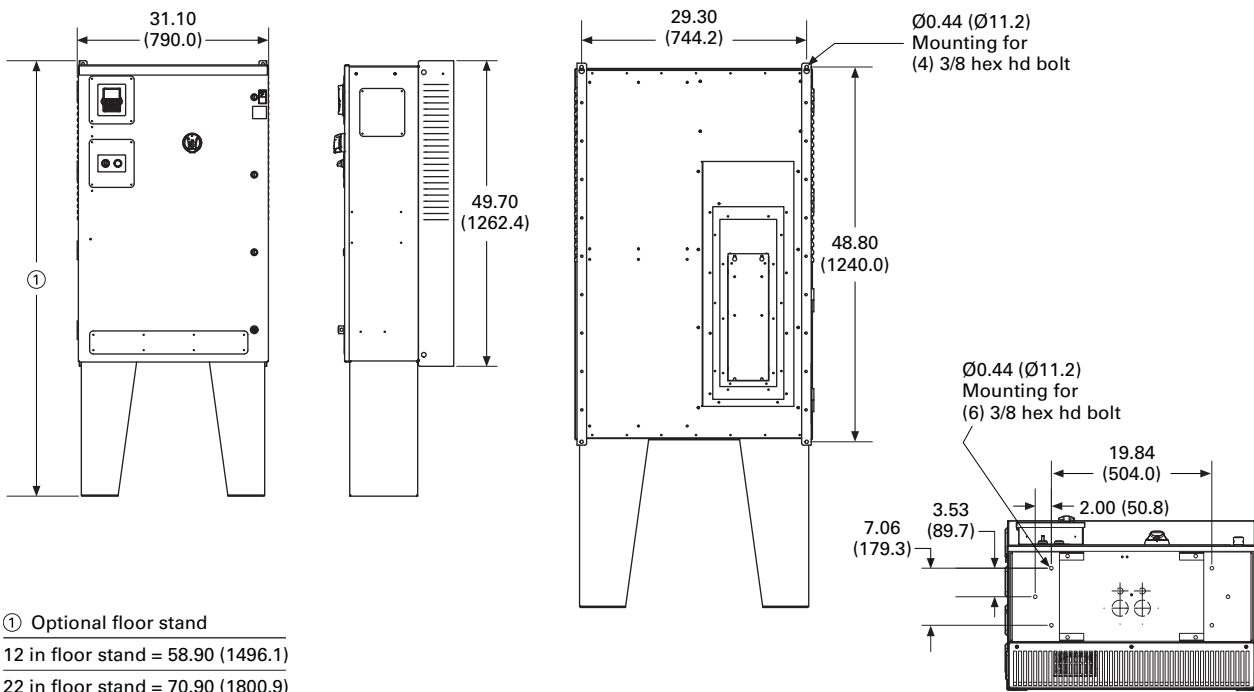


BX—Type 3R

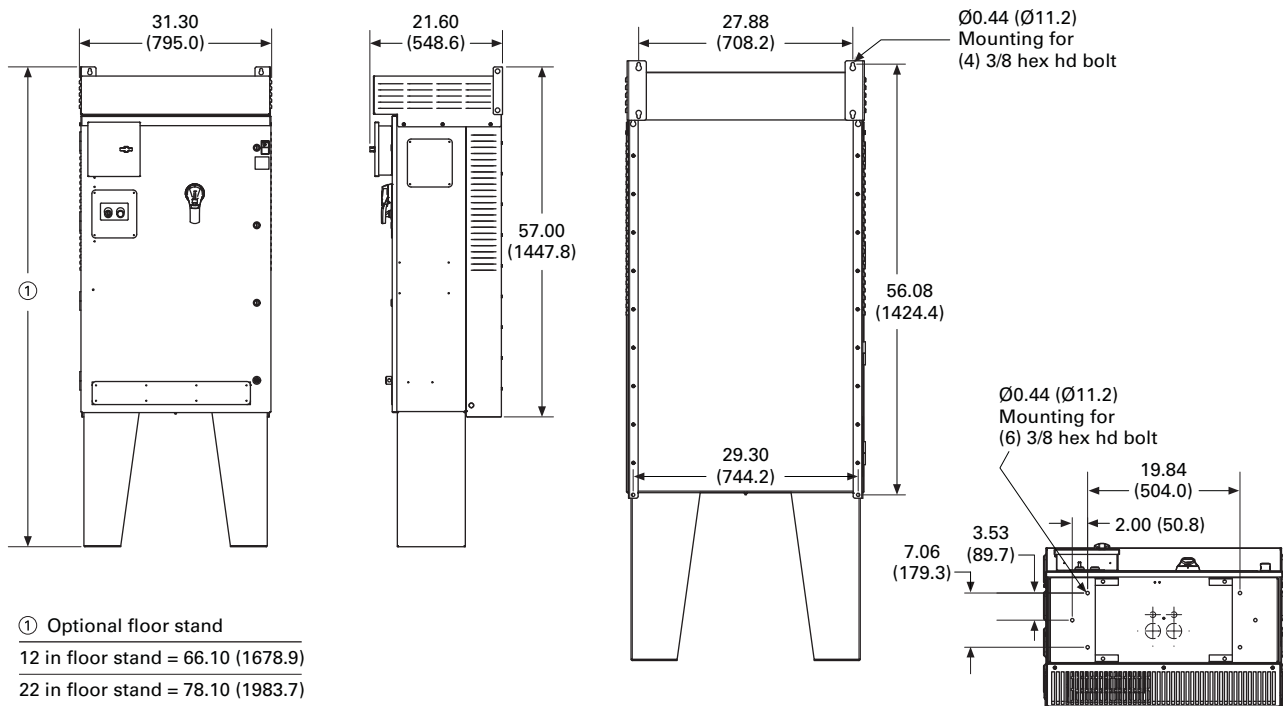


Approximate Dimensions in Inches (mm)

CX—Type 1 and Type 12



CX—Type 3R



2.8

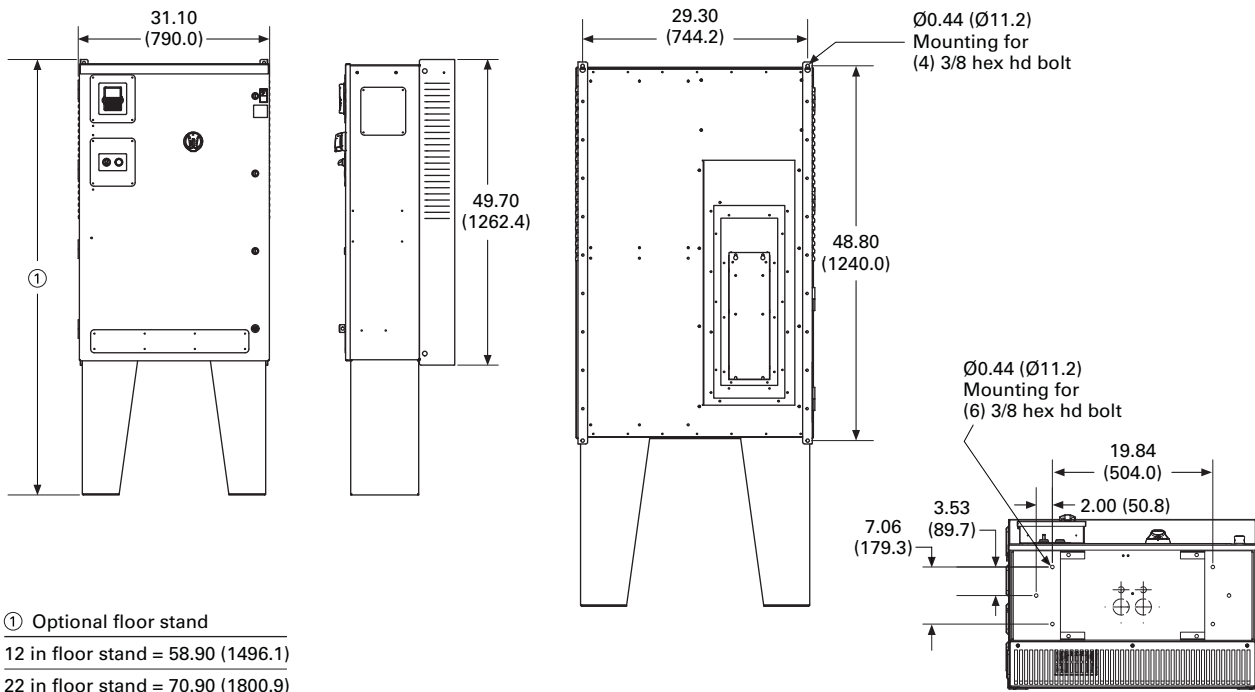
Adjustable Frequency Drives

PowerXL DH1 Series Drives

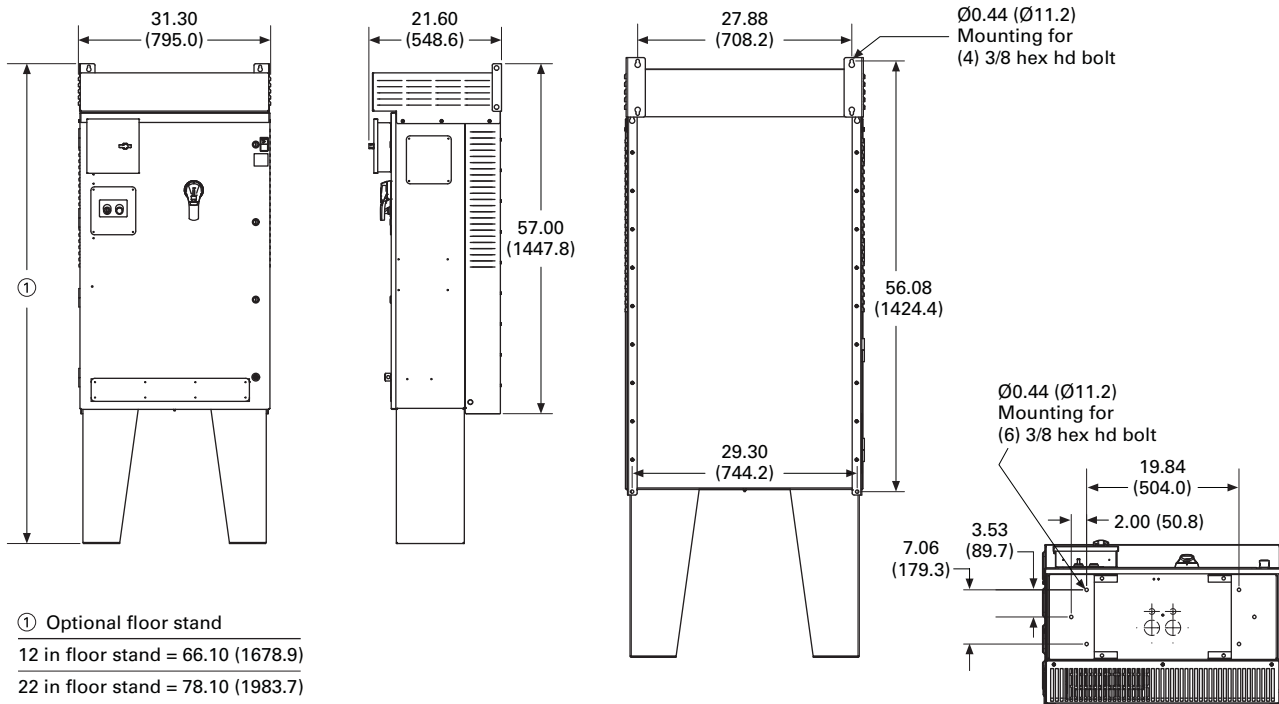
Approximate Dimensions in Inches (mm)

CX-XL—Type 1 and Type 12

2

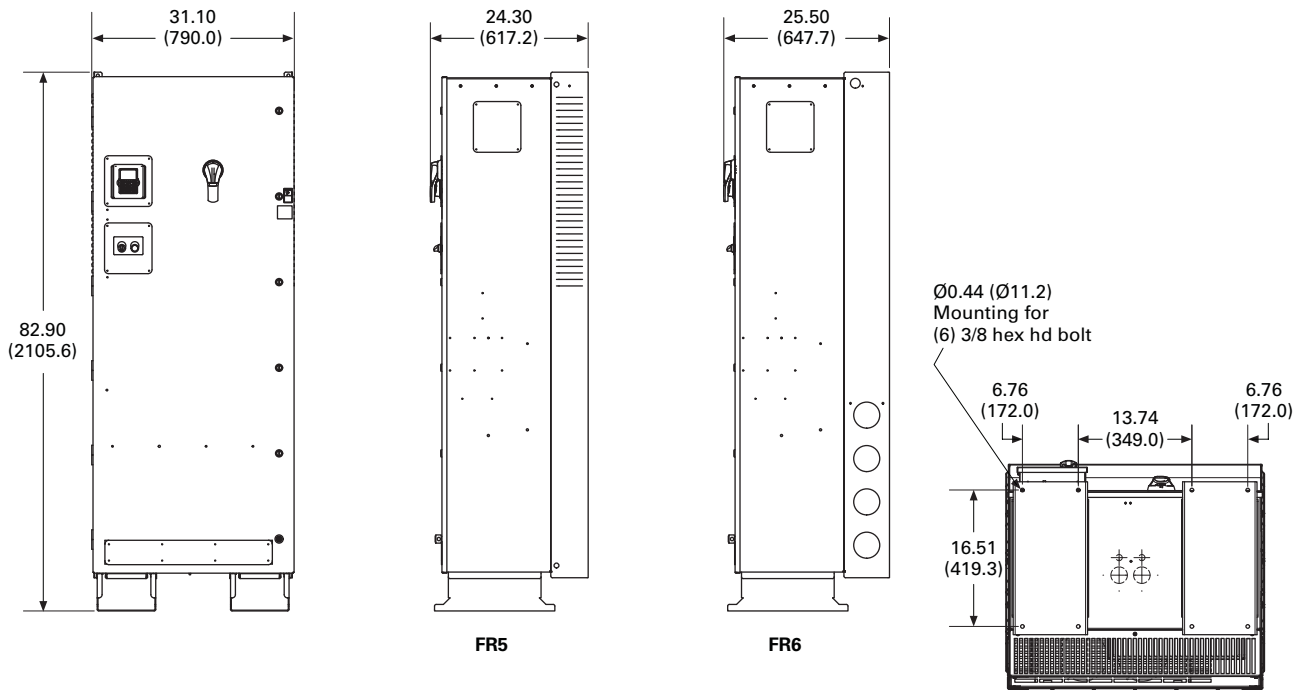


CX-XL—Type 3R

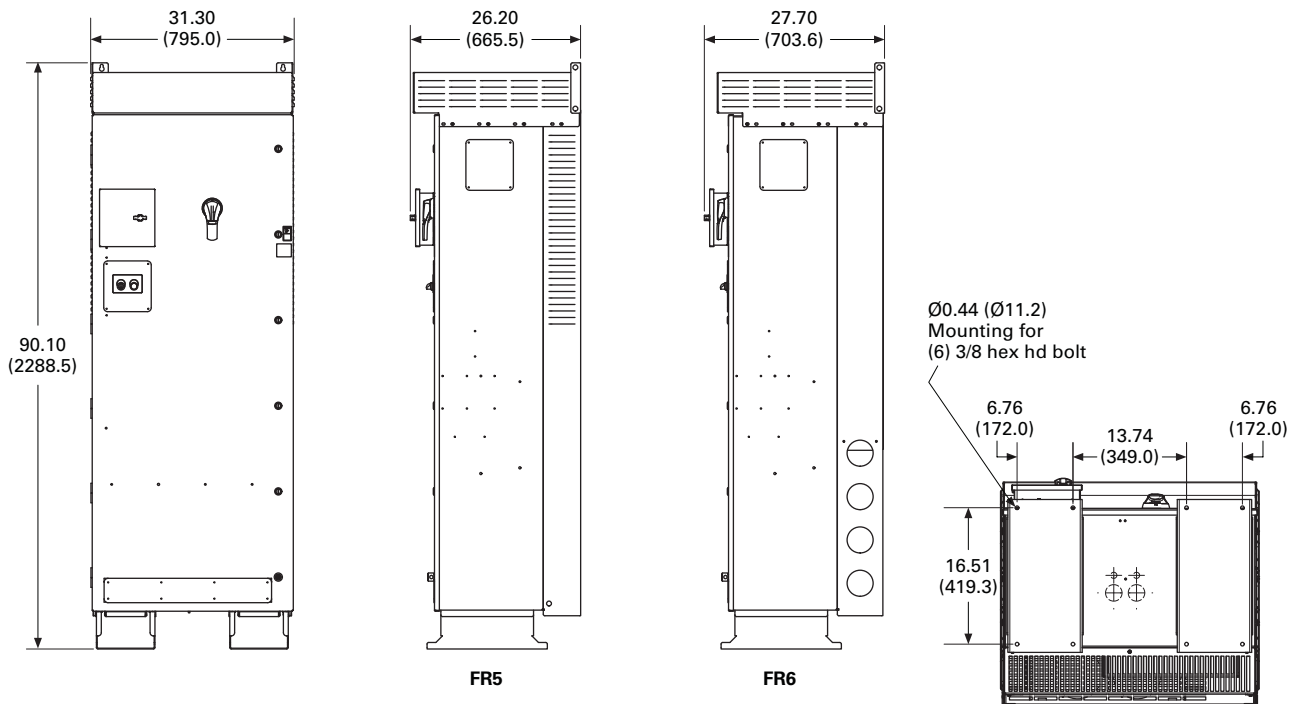


Approximate Dimensions in Inches (mm)

DX—Type 1 and Type 12 (FR5 and FR6)



DX—Type 3R (FR5 and FR6)



2.8

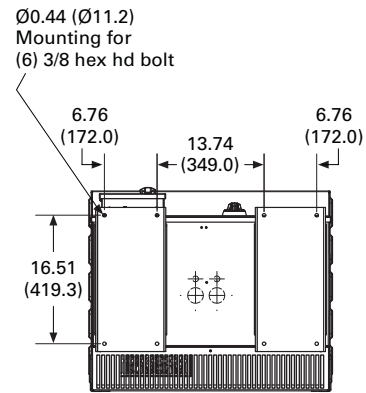
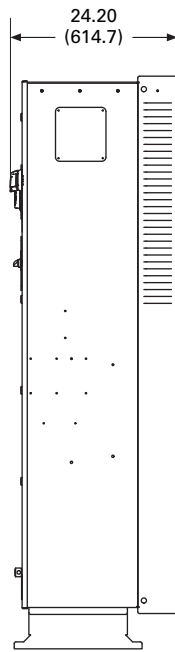
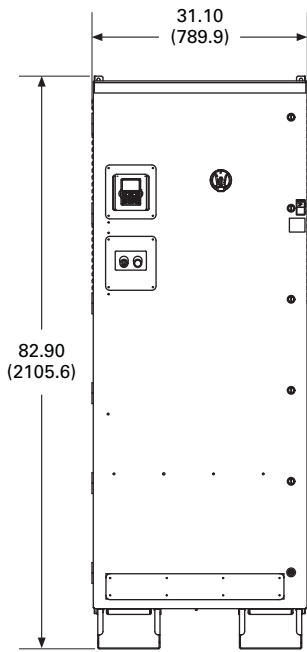
Adjustable Frequency Drives

PowerXL DH1 Series Drives

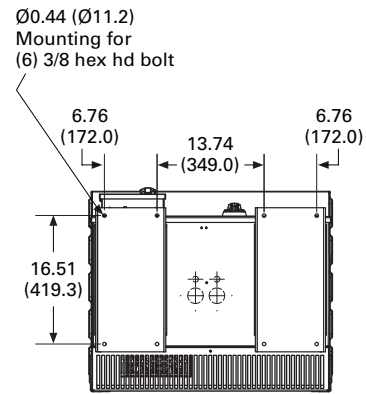
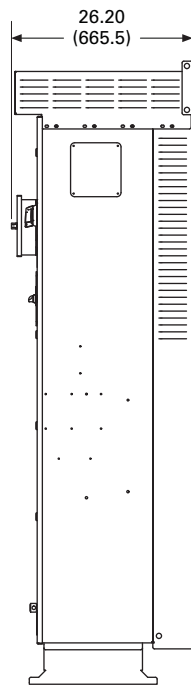
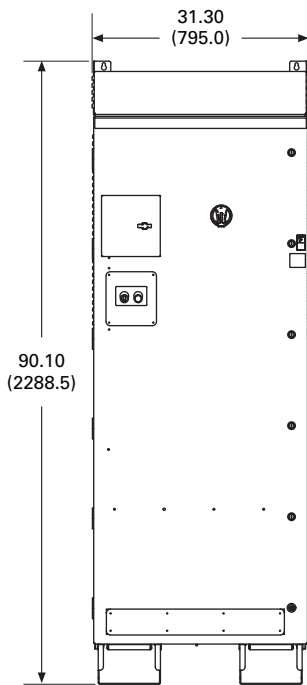
Approximate Dimensions in Inches (mm)

DX-XL—Type 1 and Type 12

2

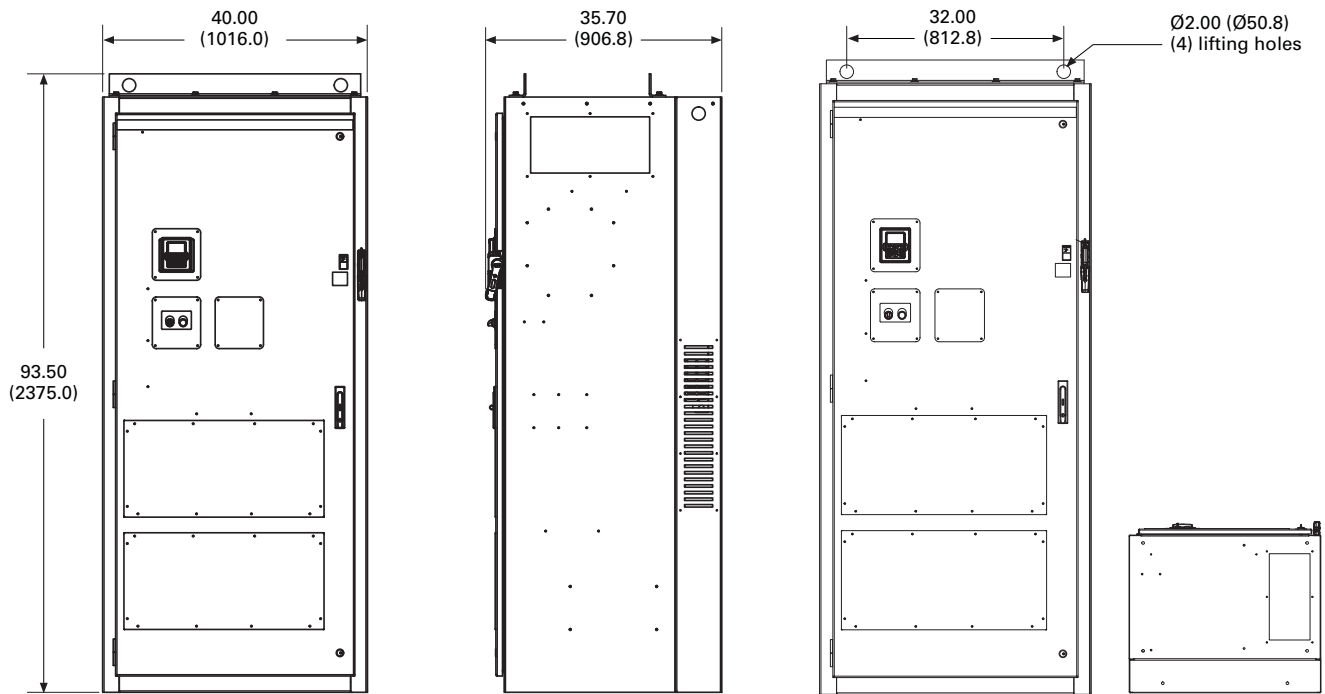


DX-XL—Type 3R

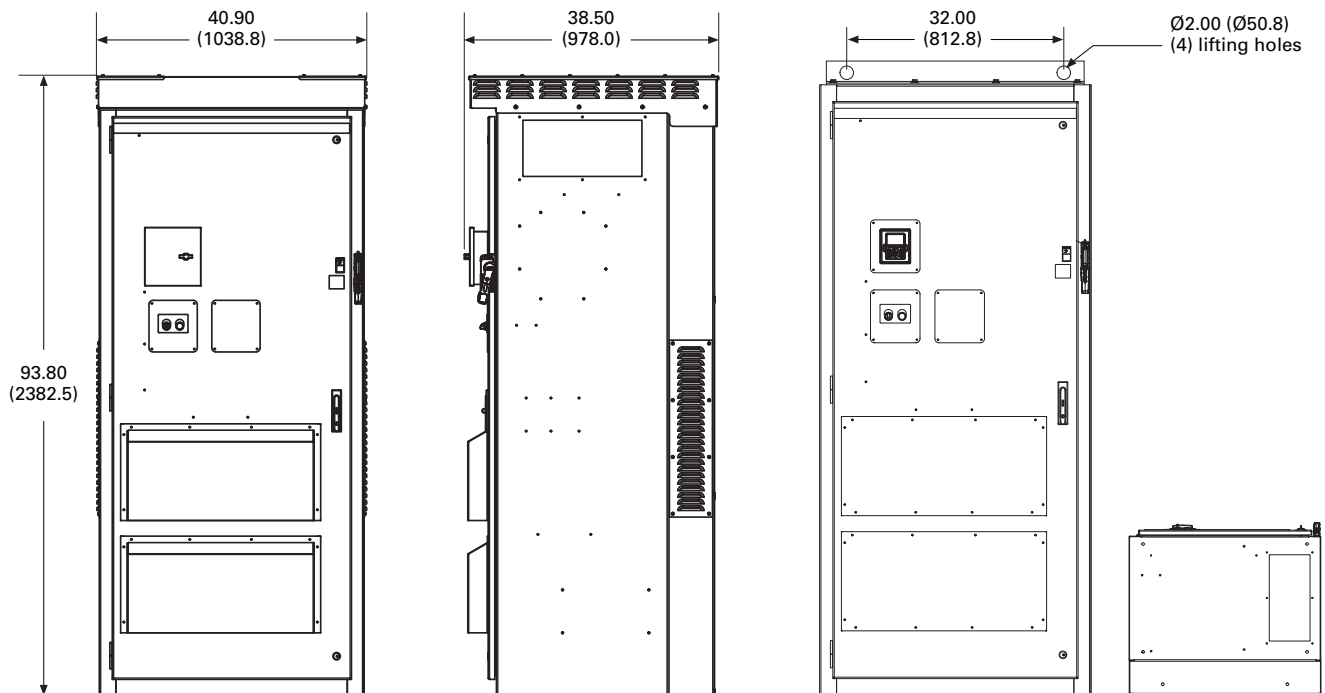


Approximate Dimensions in Inches (mm)

EX-XL—Type 1 and Type 12



EX-XL—Type 3R



2.8

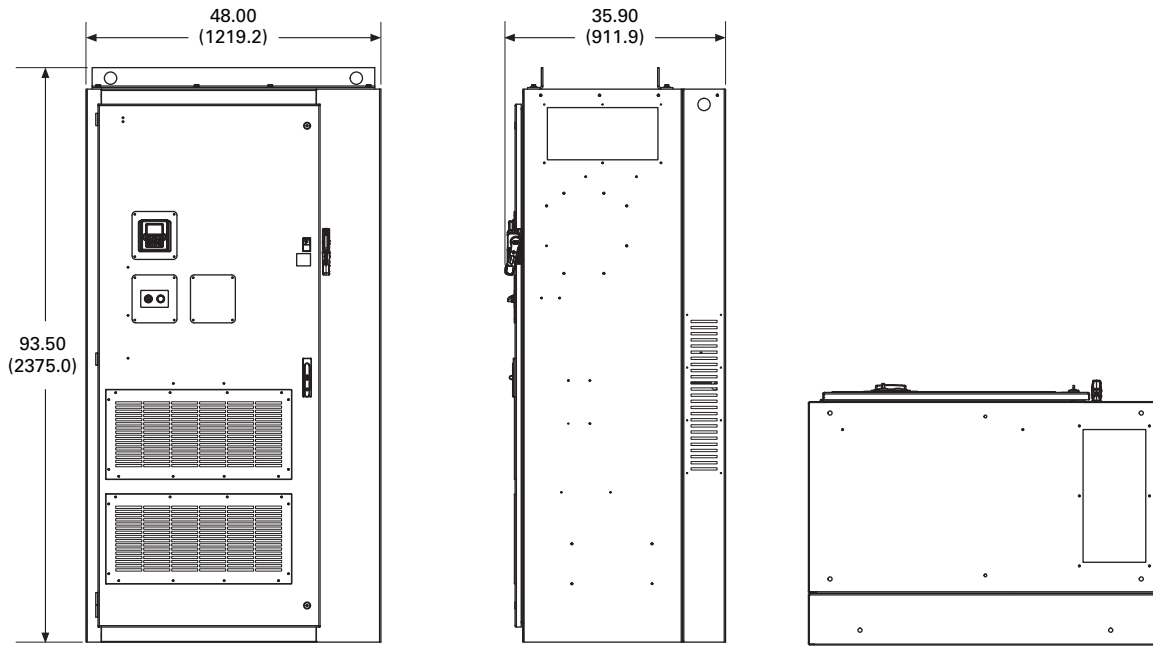
Adjustable Frequency Drives

PowerXL DH1 Series Drives

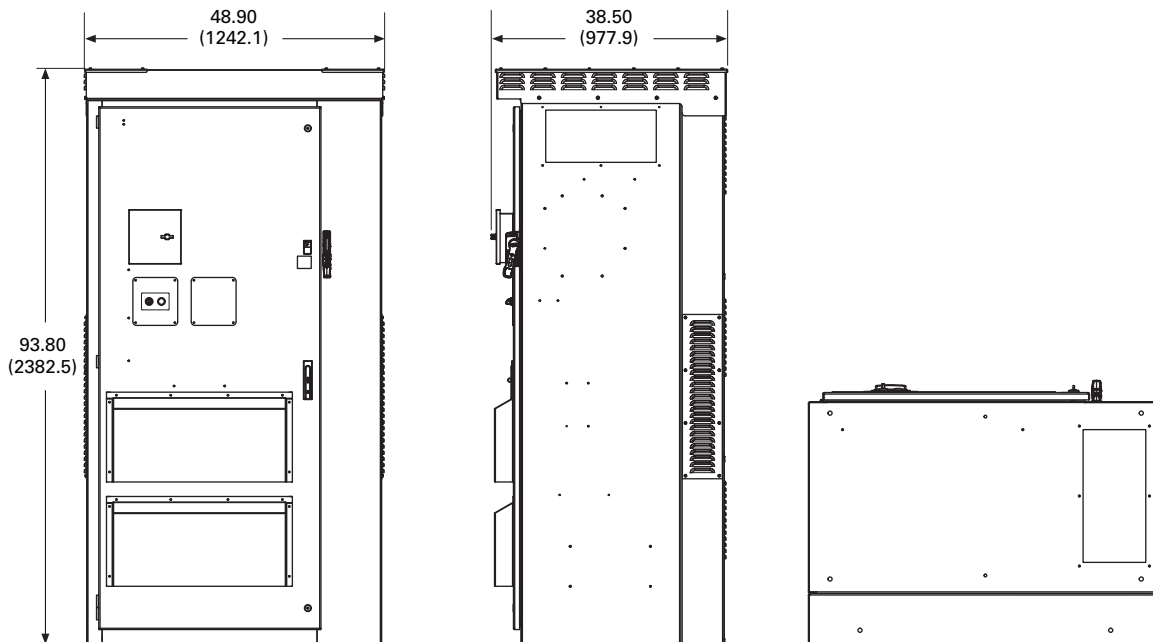
Approximate Dimensions in Inches (mm)

FX-XL—Type 1 and Type 12

2



FX-XL—Type 3R



H-Max Drives



H-Max Drives

Product Description

Eaton's H-Max Series VFD has software and hardware designed specifically for the HVAC, pump industry. The ultra-efficient DC capacitor and power structure allows the drive to consume less energy, lowering greenhouse gases.

The I/O configuration is designed with wiring ergonomics in mind by including removable terminal blocks. The main, easily removable, control board used for all drive frames with six digital IN, two analog IN, one analog OUT, three relay OUT accepts two additional I/O or communication board. In addition, the control board has built-in RS-485 and Ethernet communication.

These drives continue the tradition of robust performance, and raise the bar on features and functionality, ensuring the best solution at the right price.

In addition to the Active Energy Control Algorithm to maximize motor efficiency, the drive boasts an ultra-efficient DC capacitor and power structure to allow less energy consumption, lowering greenhouse gases.

Features and Benefits

Hardware

- Thin metal capacitor design—ultra-efficient drive operation and extended self life (up to five years without reforming)
- Integrated 5% DC link choke with Input surge protection—protects against voltage spikes and provides a clean wave form to the motor
- EMI/RFI filters standard on all drives—meets EMC Category 2 for commercial applications
- Real-time clock—supports calendaring and time stamped fault history
- Graphic LCD display and keypad—supports simple menu navigation as well as on-screen diagnostics and troubleshooting
- HAND-OFF-AUTO and drive-bypass selector on keypad—simplifies control
- Standard I/O: 6DI, 2AI, 1AO, 2 Form C RO (NO/NC), 1 Form A RO (NO)—supports requirements for most installations

Contents

Description

	<i>Page</i>
H-Max Drives	
Catalog Number Selection	V6-T2-224
Product Selection	V6-T2-225
Accessories	V6-T2-229
Replacement Parts	V6-T2-229
Technical Data and Specifications	V6-T2-232
Wiring Diagram	V6-T2-233
Dimensions	V6-T2-234
H-Max IntelliPass and IntelliDisconnect Drives	V6-T2-235

Standards and Certifications

Product

- IEC 61800-5-1
- CE
- UL508C
- cUL
- C-Tick Mark
- OSHPD Seismic Certified
- Plenum Rated



- Onboard RS 485: Modbus, N2, BACnet—meets needs of most communication requirements
- Onboard Ethernet: BACnet/IP, Modbus/TCP—meets needs of most communication requirements
- Two expansion slots—intended to support additional I/O or communication protocols as necessary
- Quick disconnect terminals for I/O connections—supports fast easy installation

Software

- Active energy control—minimizes energy losses in your motor resulting in industry leading energy efficiency for your application
- Quick Start Wizard upon initial power up—supports fast easy installation
- Copy/paste functionality on drive keypad—allows for fast setup of multiple drives
- Pre-programmed I/O—supports fast easy installation for most applications

2.9

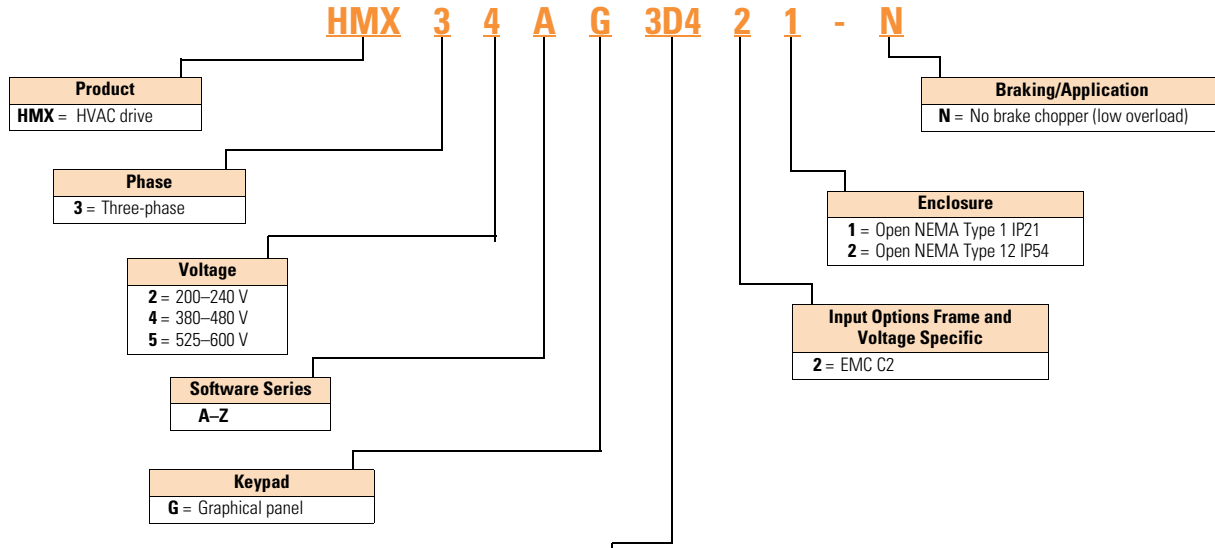
Adjustable Frequency Drives

H-Max Series Drives

Catalog Number Selection

H-Max Series Drives

2



Amperes		
200–240 Volts	380–480 Volts	525–600 Volts
3D7 = 3.7 A–0.75 hp, 0.55 kW	3D4 = 3.4 A–1.5 hp, 1.1 kW	3D9 = 3.9 A, 3 hp, 2.2 kW
4D8 = 4.8 A–1 hp, 0.75 kW	4D8 = 4.8–2 hp, 1.5 kW	6D1 = 6.1 A, 5 hp, 3.7 kW
6D6 = 6.6 A–1.5 hp, 1.1 kW	5D6 = 5.6 A–3 hp, 2.2 kW	9D0 = 9 A, 7.5 hp, 5.5 kW
8D0 = 8 A–2 hp, 1.5 kW	8D0 = 8 A–4 hp, 3 kW	011 = 11 A, 10 hp, 7.5 kW
011 = 11 A–3 hp, 2.2 kW	9D6 = 9.6 A–5 hp, 4 kW	018 = 18 A, 15 hp, 11 kW
012 = 12 A–4 hp, 3 kW	012 = 12 A–7.5 hp, 5.5 kW	022 = 22 A, 20 hp, 15 kW
018 = 18 A–5 hp, 4 kW	016 = 16 A–10 hp, 7.5 kW	027 = 27 A, 25 hp, 18 kW
024 = 24 A–7.5 hp, 5.5 kW	023 = 23 A–15 hp, 11 kW	034 = 34 A, 30 hp, 22 kW
031 = 31 A–10 hp, 7.5 kW	031 = 31 A–20 hp, 15 kW	041 = 41 A, 40 hp, 30 kW
048 = 48 A–15 hp, 11 kW	038 = 38 A–25 hp, 18.5 kW	052 = 52 A, 50 hp, 37 kW
062 = 62 A–20 hp, 15 kW	046 = 46 A–30 hp, 22 kW	062 = 62 A, 60 hp, 45 kW
075 = 75 A–25 hp, 18.5 kW	061 = 61 A–40 hp, 30 kW	080 = 80 A, 75 hp, 55 kW
088 = 88 A–30 hp, 22 kW	072 = 72 A–50 hp, 37 kW	100 = 100 A, 100 hp, 75 kW
105 = 105 A–40 hp, 30 kW	087 = 87 A–60 hp, 45 kW	125 = 125 A, 125 hp, 90 kW
140 = 140 A–50 hp, 37 kW	105 = 105 A–75 hp, 55 kW	144 = 144 A, 150 hp, 110 kW
170 = 170 A–60 hp, 45 kW	140 = 140 A–100 hp, 75 kW	208 = 208 A, 200 hp, 160 kW
205 = 205 A–75 hp, 55 kW	170 = 170 A–125 hp, 90 kW	
261 = 261 A–100 hp, 75 kW	205 = 205 A–150 hp, 110 kW	
310 = 310 A–125 hp, 90 kW	261 = 261 A–200 hp, 132 kW	
	310 = 310 A–250 hp, 160 kW	

Notes

- All boards are varnished (conformed coated). Corrosion resistant.
- Battery included in all drives for real-time clock.
- Keypad kit includes HOA bypass.
- Keypad kit includes HOA, back reset for Europe application.
- EMI/RFI filters included.
- DC link choke included.

Product Selection

H-Max Series Drives—230 Vac

NEMA Type 1



NEMA Type 1/IP21

FS Frame Size	Drive Output Current		Assigned Motor Ratings			Catalog Number
	Low Overload Full Load Amps at 40 °C	Horsepower	Drive kW 230 Vac/50 Hz	230 Vac NEC Amps ①	Low Overload Full Load Amps at 50 °C	
4	3.7	0.75	0.55	3.2	2.6	HMX32AG3D721-N
	4.8	1	0.75	4.2	3.7	HMX32AG4D821-N
	6.6	1.5	1.1	6.6	4.8	HMX32AG6D621-N
	8	2	1.5	6.8	6.6	HMX32AG8D021-N
	11	3	2.2	9.6	8	HMX32AG01121-N
	12.5	4	3	N/A	11	HMX32AG01221-N
5	18	5	4	15.2	12.5	HMX32AG01821-N
	24	7.5	5.5	22	18	HMX32AG02421-N
	31	10	7.5	28	24	HMX32AG03121-N
6	48	15	11	42	31	HMX32AG04821-N
	62	20	15	54	48	HMX32AG06221-N
7	75	25	18.5	68	62	HMX32AG07521-N
	88	30	22	80	75	HMX32AG08821-N
	105	40	30	104	88	HMX32AG10521-N
8	140	50	37	130	105	HMX32AG14021-N
	170	60	45	154	140	HMX32AG17021-N
	205	75	55	192	170	HMX32AG20521-N
9	261	100	75	248	205	HMX32AG26121-N
	310	125	90	N/A	261	HMX32AG31021-N

NEMA Type 12



NEMA Type 12/IP54

FS Frame Size	Drive Output Current		Assigned Motor Ratings			Catalog Number
	Low Overload Full Load Amps at 40 °C	Horsepower	Drive kW 230 Vac/50 Hz	230 Vac NEC Amps ①	Low Overload Full Load Amps at 50 °C	
4	3.7	0.75	0.55	3.2	2.6	HMX32AG3D722-N
	4.8	1	0.75	4.2	3.7	HMX32AG4D822-N
	6.6	1.5	1.1	6.6	4.8	HMX32AG6D622-N
	8	2	1.5	6.8	6.6	HMX32AG8D022-N
	11	3	2.2	9.6	8	HMX32AG01122-N
	12.5	4	3	N/A	11	HMX32AG01222-N
5	18	5	4	15.2	12	HMX32AG01822-N
	24	7.5	5.5	22	18	HMX32AG02422-N
	31	10	7.5	28	24	HMX32AG03122-N
6	48	15	11	42	31	HMX32AG04822-N
	62	20	15	54	48	HMX32AG06222-N
7	75	25	18.5	68	62	HMX32AG07522-N
	88	30	22	80	75	HMX32AG08822-N
	105	40	30	104	88	HMX32AG10522-N
8	140	50	37	130	105	HMX32AG14022-N
	170	60	45	154	140	HMX32AG17022-N
	205	75	55	192	170	HMX32AG20522-N
9	261	100	75	248	205	HMX32AG26122-N
	310	125	90	N/A	261	HMX32AG31022-N

Note

① For sizing reference.

H-Max Series Drives—480 Vac

2

NEMA Type 1



NEMA Type 1/IP21

FS Frame Size	Drive Output Current		Assigned Motor Ratings			Catalog Number
	Low Overload Full Load Amps at 40 °C	Horsepower	Drive kW 400 Vac/50 Hz	480 Vac NEC Amps ①	Low Overload Full Load Amps at 50 °C	
4	3.4	1.5	1.1	2.1	2.6	HMX34AG3D421-N
	4.8	2	1.5	3.4	3.4	HMX34AG4D821-N
	5.6	3	2.2	5.6	4.8	HMX34AG5D621-N
	8.0	4	3.0	N/A	5.6	HMX34AG8D021-N
	9.6	5	4	7.6	8	HMX34AG9D621-N
	12	7.5	5.5	11	9.6	HMX34AG01221-N
5	16	10	7.5	14	12	HMX34AG01621-N
	23	15	11	21	16	HMX34AG02321-N
	31	20	15	27	23	HMX34AG03121-N
6	38	25	18.5	34	31	HMX34AG03821-N
	46	30	22	40	38	HMX34AG04621-N
	61	40	30	52	46	HMX34AG06121-N
7	72	50	37	65	61	HMX34AG07221-N
	87	60	45	77	72	HMX34AG08721-N
	105	75	55	96	87	HMX34AG10521-N
8	140	100	75	124	105	HMX34AG14021-N
	170	125	90	156	140	HMX34AG17021-N
	205	150	110	180	170	HMX34AG20521-N
9	261	200	132	240	205	HMX34AG26121-N
	310	250	160	302	261	HMX34AG31021-N

NEMA Type 12



NEMA Type 12/IP54

FS Frame Size	Drive Output Current		Assigned Motor Ratings			Catalog Number
	Low Overload Full Load Amps at 40 °C	Horsepower	Drive kW 400 Vac/50 Hz	480 Vac NEC Amps ①	Low Overload Full Load Amps at 50 °C	
4	3.4	1.5	1.1	2.1	2.6	HMX34AG3D422-N
	4.8	2	1.5	3.4	3.4	HMX34AG4D822-N
	5.6	3	2.2	5.6	4.8	HMX34AG5D622-N
	8.0	4	3.0	N/A	5.6	HMX34AG8D022-N
	9.6	5	4	7.6	8	HMX34AG9D622-N
	12	7.5	5.5	11	9.6	HMX34AG01222-N
5	16	10	7.5	14	12	HMX34AG01622-N
	23	15	11	21	16	HMX34AG02322-N
	31	20	15	27	23	HMX34AG03122-N
6	38	25	18.5	34	31	HMX34AG03822-N
	46	30	22	40	38	HMX34AG04622-N
	61	40	30	52	46	HMX34AG06122-N
7	72	50	37	65	61	HMX34AG07222-N
	87	60	45	77	72	HMX34AG08722-N
	105	75	55	96	87	HMX34AG10522-N
8	140	100	75	124	105	HMX34AG14022-N
	170	125	90	156	140	HMX34AG17022-N
	205	150	110	180	170	HMX34AG20522-N
9	261	200	132	240	205	HMX34AG26122-N
	310	250	160	302	261	HMX34AG31022-N

Note

① For sizing reference.

H-Max Series Drives—600 Vac

NEMA Type 1



NEMA Type 1/IP21

FS Frame Size	Drive Output Current		Assigned Motor Ratings			Catalog Number
	Low Overload Full Load Amps at 40 °C	Horsepower	Drive kW 575 Vac/50 Hz	575 Vac NEC Amps ①	Low Overload Full Load Amps at 50 °C	
5	3.9	3	2.2	4.6	3.3	HMX35AG3D921-N
	6.1	5	3.7	6.8	5.2	HMX35AG6D121-N
	9	7.5	5.5	9	7.7	HMX35AG9D021-N
	11	10	7.5	10.5	9.4	HMX35AG01121-N
6	18	15	11	19.9	15.3	HMX35AG01821-N
	22	20	15	23.3	18.7	HMX35AG02221-N
	27	25	18	27.2	23	HMX35AG02721-N
	34	30	22	32.8	28.9	HMX35AG03421-N
7	41	40	30	45.3	34.9	HMX35AG04121-N
	52	50	37	53.8	44.2	HMX35AG05221-N
	62	60	45	62.2	52.7	HMX35AG06221-N
8	80	75	55	90	68	HMX35AG08021-N
	100	100	75	106	85	HMX35AG10021-N
	125	125	90	127	106.3	HMX35AG12521-N
9	144	150	110	156	122.4	HMX35AG14421-N
	208	200	160	212	176.8	HMX35AG20821-N

NEMA Type 12



NEMA Type 12/IP54

FS Frame Size	Drive Output Current		Assigned Motor Ratings			Catalog Number
	Low Overload Full Load Amps at 40 °C	Horsepower	Drive kW 575 Vac/50 Hz	575 Vac NEC Amps ①	Low Overload Full Load Amps at 50 °C	
5	3.9	3	2.2	4.6	3.3	HMX35AG3D922-N
	6.1	5	3.7	6.8	5.2	HMX35AG6D122-N
	9	7.5	5.5	9	7.7	HMX35AG9D022-N
	11	10	7.5	10.5	9.4	HMX35AG01122-N
6	18	15	11	19.9	15.3	HMX35AG01822-N
	22	20	15	23.3	18.7	HMX35AG02222-N
	27	25	18	27.2	23	HMX35AG02722-N
	34	30	22	32.8	28.9	HMX35AG03422-N
7	41	40	30	45.3	34.9	HMX35AG04122-N
	52	50	37	53.8	44.2	HMX35AG05222-N
	62	60	45	62.2	52.7	HMX35AG06222-N
8	80	75	55	90	68	HMX35AG08022-N
	100	100	75	106	85	HMX35AG10022-N
	125	125	90	127	106.3	HMX35AG12522-N
9	144	150	110	156	122.4	HMX35AG14422-N
	208	200	160	212	176.8	HMX35AG20822-N

Note

① For sizing reference.

Onboard Network Communications

Johnson Controls Metasys N2

H-Max Series provides communication between the drive and a Johnson Controls Metasys™ N2 network. With this connection, the drive can be controlled, monitored and programmed from the Metasys system. N2 can be selected and programmed by the drive keypad.

BACnet

H-Max Series provides communication to BACnet networks. Data transfer is master-slave/token passing (MS/TP) RS-485.

BACnet/IP

100Base-T interface.

Modbus TCP

Ethernet based protocol.

Modbus RTU

H-Max Series provides communication to Modbus RTU RS-485 as a slave on a Modbus network. Other communication parameters include an address range from 1–247; a parity of None, Odd or Even; and the stop bit is 1.

H-Max Series Option Board Kits Available for Slot B

The factory issued relay option board can be replaced with the following option

boards to customize the drive for your application needs.

The standard board provides 2 Form C RO (NO/NC) and 1 Form A RO (NO).

Option Boards Mounted in Slot B

Option Kit Description	Option Kit Catalog Number
I/O expander card, 2 RO and thermistor input	Relay Board 2

H-Max Series Option Board Kits Available for Slots D and E

Note: Slot C is inactive.

The H-Max Series drives can accommodate a wide selection of expander and adapter option boards to

customize the drive for your application needs. The drive's control unit is designed to accept a total of two option boards.

The H-Max Series factory-installed standard board configuration includes an I/O board and a relay output board.

Option Boards Mounted in Slots D and E

Option Kit Description	Option Kit Catalog Number
6 x DI /DO, each digital input can be individually programmed as digital output	XXM-IO-B1-A
1RO Form C (NO/NC), 1RO Form A (NO), 1 thermistor	XXM-IO-B2-A
1 x AI, 2 x AO (isolated)	XXM-IO-B4-A
3 x RO Form A (NO)	XXM-IO-B5-A
1RO Form A (NO), 5DI 42–240 Vac input	XXM-IO-B9-A
1 x AO, 1 x DO, 1 x RO	XXM-IO-BF-A
LonWorks®	XXM-COM-C4-A

NEMA Type 1 to NEMA Type 12/IP54 Conversion Kit

The NEMA Type 12/IP54 option kit is used to convert a NEMA Type 1 to a NEMA Type 12 drive.

Kit consists of a drive cover, fan kit and plugs.

NEMA Type 12/IP54 Cover

Option Kit Description	Option Kit Catalog Number
FS4-branded N12/IP54 cover with gasket, plastic plug, fans, Eaton logos	FS4-N12KIT
FS5-branded N12/IP54 cover with gasket, plastic plug, fans, Eaton logos	FS5-N12KIT
FS6-branded N12/IP54 cover with gasket, plastic plug, fans, Eaton logos	FS6-N12KIT

Accessories

Flange Kits

The flange kit is used when the power section heat sink is mounted through the back panel of an enclosure.

Flange Kit NEMA Type 12/IP54

Includes flange, mounting brackets, NEMA Type 12 fan components, air shroud screws and plugs.

Frames FS4–FS7 ^{①②}

Description	Catalog Number
NEMA Type 12/IP54	
FS4 N12/IP54 flange kit (mounting N1 drive into N12 enclosure)	FS4-Flange-N12KIT
FS5 N12/IP54 flange kit (mounting N1 drive into N12 enclosure)	FS5-Flange-N12KIT
FS6 N12/IP54 flange kit (mounting N1 drive into N12 enclosure)	FS6-Flange-N12KIT
FS7 N12/IP54 flange kit (mounting N1 drive into N12 enclosure)	FS7-Flange-N12KIT

Keypad Accessories

Remote Mounting Keypad Kit

Frames FS4–FS9

Description	Catalog Number
Remote mounting keypad kit—bezel and cable	OPTRMT-BP-HMAX-WLABL

Drive Demo

H-Max Series Drive Demo

Demos and Power Supply

Description	Catalog Number
H-Max Series bypass demo	H-MAX-BYPASS-DEMO
Hand-held 24 V auxiliary power supply—used to supply power to the control module in order to perform keypad programming before the drive is connected to line voltage	9000XAUX24 V

Notes

- ① For installation of a NEMA Type 1 drive into a NEMA Type 12 oversized enclosure.
- ② Frame size 8 and 9 must be ordered from the factory as a flange mount unit.

Replacement Parts

Control Board/Keypad

Description	Current Catalog Number
H-Max series graphic bypass, HOA	KeypadbypassHOA
H-Max series graphic back, HOA	KeypadbackHOA
H-Max control board replacement	HMX-CONTROLBOARD-B

PC Cable

Description	Catalog Number
Remote download USB to RJ-45 cable with software driver disk	REM-USB-Down

Replacement Relay Board in Slot B

Description	Catalog Number
Replacement relay board qty 2 Form C relay, qty 1 Form A relay	Relay board 1

Main Fan

Description	Catalog Number
FS4 main fan	FS4-Main Fan
FS5 main fan	FS5-Main Fan
FS6 main fan	FS6-Main Fan
FS7 main fan	FS7-Main Fan
FS8 main fan	FS8-Main Fan
FS9 main fan	FS9-Main Fan

Internal Fan

Description	Catalog Number
FS4 internal fan (IP54/NEMA 12)	FS4-Internal Fan
FS5 internal fan (IP54/NEMA 12)	FS5-Internal Fan
FS6 internal fan (IP54/NEMA 12)	FS6-Internal Fan
FS7 internal fan (IP54/NEMA 12)	FS7-Internal Fan
FS8 internal fan (IP54/NEMA 12)	FS8-Internal Fan
FS9 internal fan (IP54/NEMA 12)	FS9-Internal Fan

2.9

Adjustable Frequency Drives

H-Max Series Drives

2

Line and Load Reactors

A line and load reactor is a three-phase inductance filter that can be placed on the line and load side of the AFD to help improve the harmonic performance of the system. Consult the factory for additional filtering options and further technical details.

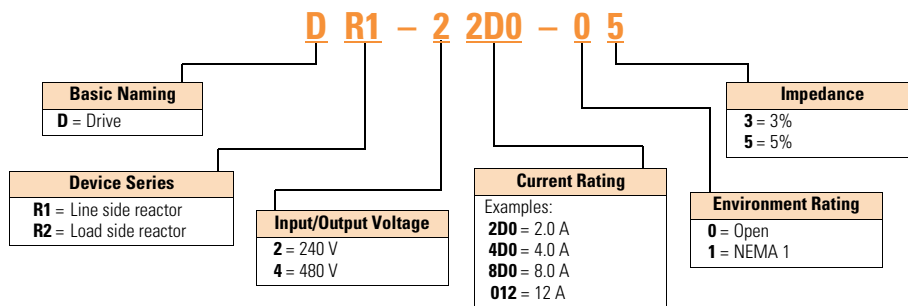
DR1 Line Reactor

A line reactor helps to provide a moderate reduction in current harmonics similar to a DC choke. It also provides increased input protection for AFD and its semiconductors from line transients helping to extend the life of the AFD.

DR2 Output Reactor

An output filter is used to reduce the transient voltage (dV/dt) at the motor terminals. The output filter is recommended for cable lengths exceeding 100 ft (30 m) with a drive of 3 hp and above and for cable lengths of 33 ft (10 m) with a drive of 2 hp and below.

Line and Load Reactors—Catalog Number Selection



Line and Load Reactors—240 V

hp (VT)	Open Load Reactor		Line Reactor		NEMA 1 Load Reactor		Line Reactor	
	3%	5%	3%	5%	3%	5%	3%	5%
0.75	DR2-24D0-03	DR2-24D0-05	DR1-23D2-03	DR1-23D2-05	DR2-24D0-13	DR2-24D0-15	DR1-23D2-13	DR1-23D2-15
1	DR2-24D0-03	DR2-28D0-05	DR1-24D2-03	DR1-24D2-05	DR2-24D0-13	DR2-28D0-15	DR1-24D2-13	DR1-24D2-15
1.5	DR2-28D0-03	DR2-28D0-05	DR1-26D0-03	DR1-26D0-05	DR2-28D0-13	DR2-28D0-15	DR1-26D0-13	DR1-26D0-15
2	DR2-28D0-03	DR2-28D0-05	DR1-26D8-03	DR1-26D8-05	DR2-28D0-13	DR2-28D0-15	DR1-26D8-13	DR1-26D8-15
3	DR2-2012-03	DR2-2012-05	DR1-29D6-03	DR1-29D6-05	DR2-2012-13	DR2-2012-15	DR1-29D6-13	DR1-29D6-15
5	DR2-2018-03	DR2-2018-05	DR1-2015-03	DR1-2015-05	DR2-2018-13	DR2-2018-15	DR1-2015-13	DR1-2015-15
7.5	DR2-2025-03	DR2-2025-05	DR1-2022-03	DR1-2022-05	DR2-2025-13	DR2-2025-15	DR1-2022-13	DR1-2022-15
10	DR2-2035-03	DR2-2035-05	DR1-2028-03	DR1-2028-05	DR2-2035-13	DR2-2035-15	DR1-2028-13	DR1-2028-15
15	DR2-2045-03	DR2-2045-05	DR1-2042-03	DR1-2042-05	DR2-2045-13	DR2-2045-15	DR1-2042-13	DR1-2042-15
20	DR2-2055-03	DR2-2055-05	DR1-2054-03	DR1-2054-05	DR2-2055-13	DR2-2055-15	DR1-2054-13	DR1-2054-15
25	DR2-2080-03	DR2-2080-05	DR1-2068-03	DR1-2068-05	DR2-2080-13	DR2-2080-15	DR1-2068-13	DR1-2068-15
30	DR2-2080-03	DR2-2100-05	DR1-2080-03	DR1-2080-05	DR2-2080-13	DR2-2100-15	DR1-2080-13	DR1-2080-15
40	DR2-2100-03	DR2-2100-05	DR1-2104-03	DR1-2104-05	DR2-2100-13	DR2-2100-15	DR1-2104-13	DR1-2104-15
50	DR2-2130-03	DR2-2130-05	DR1-2130-03	DR1-2130-05	DR2-2130-13	DR2-2130-15	DR1-2130-13	DR1-2130-15
60	DR2-2160-03	DR2-2200-15	DR1-2154-03	DR1-2154-05	DR2-2160-13	DR2-2200-15	DR1-2154-13	DR1-2154-15
75	DR2-2200-13	DR2-2200-15	DR1-2192-03	DR1-2192-05	DR2-2200-13	DR2-2200-15	DR1-2192-13	DR1-2192-15
100	DR2-2225-13	DR2-2225-15	DR1-2248-03	DR1-2248-05	DR2-2225-13	DR2-2225-15	DR1-2248-13	DR1-2248-15
125	DR2-2320-13	DR2-2320-15	DR1-2312-03	DR1-2312-05	DR2-2320-13	DR2-2320-15	DR1-2312-13	DR1-2312-15

Line and Load Reactors—480 V

hp (VT)	Open Load Reactor	
	3%	5%
	1.5	DR2-44D0-05
2	DR2-44D0-03	DR2-44D0-05
3	DR2-48D0-03	DR2-48D0-05
5	DR2-48D0-03	DR2-48D0-05
7.5	DR2-4012-03	DR2-4012-05
10	DR2-4018-03	DR2-4018-05
15	DR2-4025-03	DR2-4025-05
20	DR2-4025-03	DR2-4025-05
25	DR2-4035-03	DR2-4035-05
30	DR2-4045-03	DR2-4045-05
40	DR2-4055-03	DR2-4055-05
50	DR2-4080-03	DR2-4080-05
60	DR2-4100-03	DR2-4080-05
75	DR2-4100-03	DR2-4100-05
100	DR2-4130-03	DR2-4130-05
125	DR2-4160-03	DR2-4160-05
150	DR2-4200-13	DR2-4200-15
200	DR2-4250-13	DR2-4250-15

Line Reactor	
3%	5%
DR1-43D0-03	DR1-43D0-05
DR1-43D4-03	DR1-43D4-05
DR1-44D8-03	DR1-44D8-05
DR1-47D6-03	DR1-47D6-05
DR1-4011-03	DR1-4011-05
DR1-4014-03	DR1-4014-05
DR1-4021-03	DR1-4021-05
DR1-4027-03	DR1-4027-05
DR1-4034-03	DR1-4034-05
DR1-4040-03	DR1-4040-05
DR1-4052-03	DR1-4052-05
DR1-4065-03	DR1-4065-05
DR1-4077-03	DR1-4077-05
DR1-4096-03	DR1-4096-05
DR1-4124-03	DR1-4124-05
DR1-4156-03	DR1-4156-05
DR1-4180-03	DR1-4180-05
DR1-4240-03	DR1-4240-05

NEMA 1 Load Reactor		Line Reactor	
3%	5%	3%	5%
DR2-44D0-13	DR2-44D0-15	DR1-43D0-13	DR1-43D0-15
DR2-44D0-13	DR2-44D0-15	DR1-43D4-13	DR1-43D4-15
DR2-48D0-13	DR2-48D0-15	DR1-44D8-13	DR1-44D8-15
DR2-48D0-13	DR2-48D0-15	DR1-47D6-13	DR1-47D6-15
DR2-4012-13	DR2-4012-15	DR1-4011-13	DR1-4011-15
DR2-4018-13	DR2-4018-15	DR1-4014-13	DR1-4014-15
DR2-4025-13	DR2-4025-15	DR1-4021-13	DR1-4021-15
DR2-4025-13	DR2-4025-15	DR1-4027-13	DR1-4027-15
DR2-4035-13	DR2-4035-15	DR1-4034-13	DR1-4034-15
DR2-4045-13	DR2-4045-15	DR1-4040-13	DR1-4040-15
DR2-4055-13	DR2-4055-15	DR1-4052-13	DR1-4052-15
DR2-4080-13	DR2-4080-15	DR1-4065-13	DR1-4065-15
DR2-4100-13	DR2-4080-15	DR1-4077-13	DR1-4077-15
DR2-4100-13	DR2-4100-15	DR1-4096-13	DR1-4096-15
DR2-4130-13	DR2-4130-15	DR1-4124-13	DR1-4124-15
DR2-4160-13	DR2-4160-15	DR1-4156-13	DR1-4156-15
DR2-4200-13	DR2-4200-15	DR1-4180-13	DR1-4180-15
DR2-4250-13	DR2-4250-15	DR1-4240-13	DR1-4240-15

Technical Data and Specifications

2

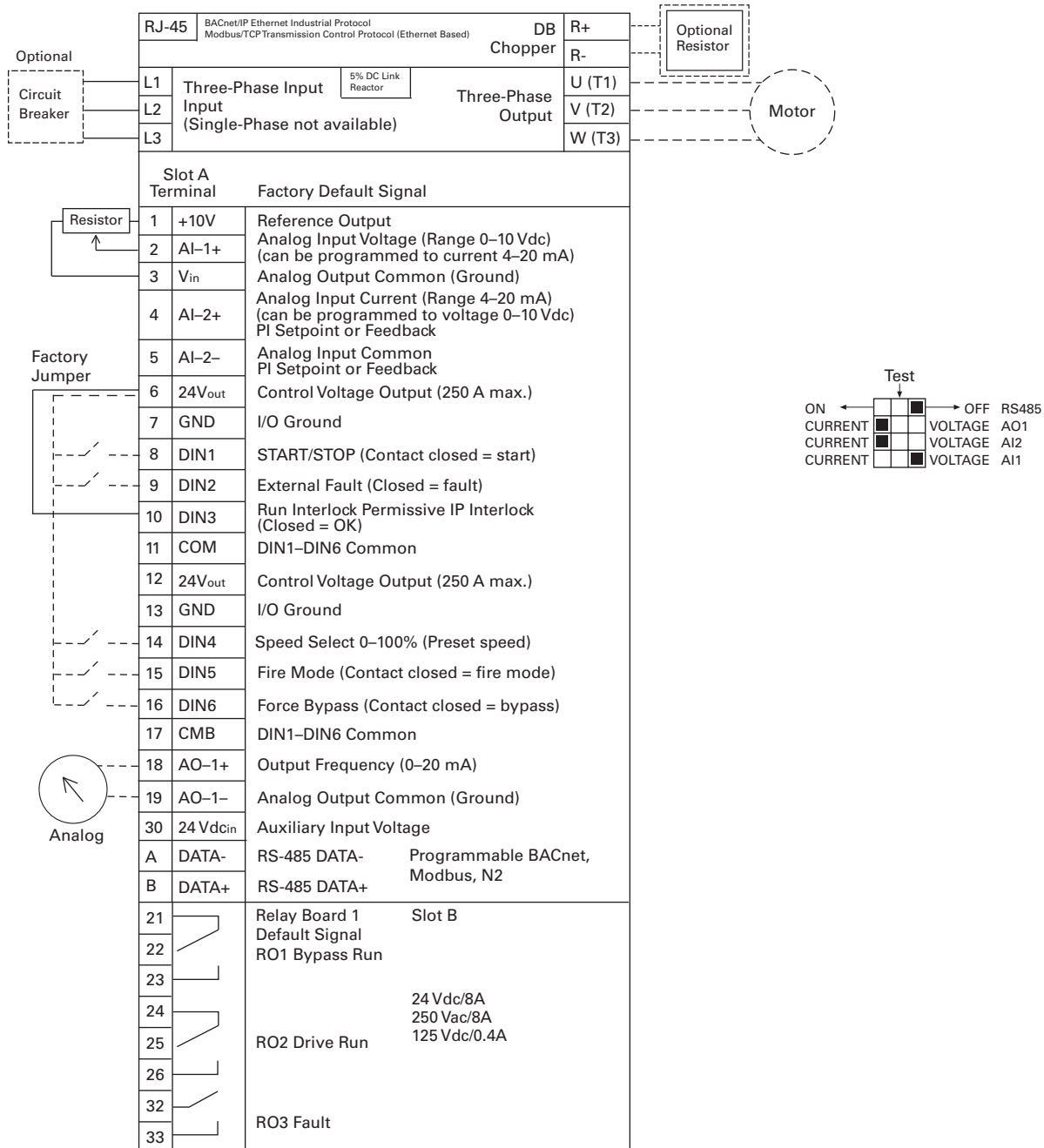
H-Max Series Drives

Description	Specification
Input Ratings	
Input voltage (V_{in})	200–240 Vac, 380–480 Vac, 525–600 Vac, –10%/+10%
Input frequency (f_{in})	50/60 Hz (variation up to 47–66 Hz)
Connection to power	Once per minute or less (typical operation)
Short-circuit withstand rating	100 kAIC
Output Ratings	
Output voltage	0 to V_{in}/U_{in} line voltage in
Continuous output current	Ambient temperature max. 104 °F (40 °C)
I_L overload	1.1 x I_L (1 min./10 min.)
Overload current	110% (1 min./10 min.)
Initial output current	150% for two seconds
Output frequency	0 to 320 Hz
Frequency resolution	0.01 Hz
Control Characteristics	
Control method	Frequency control (V/f) open loop sensorless vector control
Switching frequency	1–310 amps FS4–9: default 6 kHz
Frequency reference	Analog input: Resolution 0.1% (10-bit), accuracy $\pm 1\%$ Panel reference: Resolution 0.01 Hz
Field weakening point	8 to 320 Hz
Acceleration time	0.1 to 3000 seconds
Deceleration time	0.1 to 3000 seconds
Braking torque	DC brake: 30% x T_n
Ambient Conditions	
Ambient operating temperature	FS4–FS9: 14 °F (–10 °C), no frost to 104 °F (40 °C) (Drive can operate at 122 °F (50 °C), see Pages V6-T2-225 and V6-T2-226)
Storage temperature	–40° to 158 °F (–40° to 70 °C)
Relative humidity	0 to 95% RH, noncondensing, non-corrosive, no dripping water
Air quality	Chemical vapors: IEC 60721-3-3, unit in operation, Class 3C2; Mechanical particles: IEC 60721-3-3, unit in operation, Class 3S2
Altitude	100% load capacity (no derating) up to 3280 ft (1000 m); 1% derating for each 328 ft (100 m) above 3280 ft (1000 m); max. 9842 ft (3000 m); 380–480 V
Vibration	FS4–FS9: EN 61800-5-1, EN 60068-2-6; 5 to 150 Hz, displacement amplitude 1 mm (peak) at 5 to 15.8 Hz, max. acceleration amplitude 1G at 15.8 to 150 Hz
Shock	EN 61800-5-1, EN 60068-2-27 UPS Drop test (for applicable UPS weights) Storage and shipping: max. 15 g, 11 ms (in package)
Enclosure class	NEMA Type 1/IP21 or NEMA Type 12/IP54 (keypad required for IP54/Type 12)
Standards	
EMC	Immunity: Fulfills all EMC immunity requirements; Emissions: EN 61800-3, LEVEL H (EMC C2)
Emissions	EMC level dependent— +EMC 2: EN61800-3 (2004) Category C2 Delivered with Class C2 EMC filtering as default.
Efficiency	97.5% at 480 V 96.6% at 208/230 V

Description	Specification
Control Connections	
Analog input voltage	0 to 10 V, $R = 200$ kohms differential Resolution 0.1%; Accuracy $\pm 1\%$ DIP switch selection (voltage/current)
Analog input current	0(4) to 20 mA; $R_i = 250$ ohms differential
Digital inputs (6)	Positive or negative logic; 18 to 30 Vdc
Auxiliary voltage	+24 V $\pm 10\%$, max. 250 mA
Output reference voltage	+10 V $\pm 3\%$, max. load 10 mA
Analog output	0–10 V, 0(4) to 20 mA; R_L max. 500 ohms; Resolution 10 bit; Accuracy $\pm 2\%$ DIP switch selection (voltage/current)
Relay outputs	3 programmable, 2 Form C, 1 Form A relay outputs Switching capacity: 24 Vdc/8 A, 250 Vac/8 A, 125 Vdc/0.4 A
Hard wire jumper	Between terminal 6 and 10 factory default
DIP switch setting default	RS-485 = off A01 = current A12 = current A11 = voltage
Protections	
Overcurrent protection	Yes
Overvoltage protection	Yes
DC bus regulation anti-trip	Yes (accelerates or decelerates the load)
Undervoltage protection	Yes
Earth fault protection	Yes (in case of earth fault in motor or motor cable, only the frequency converter is protected)
Input phase supervision	Yes (trips if any of the input phases are missing)
Motor phase supervision	Yes (trips if any of the output phases are missing)
Overtemperature protection	Yes
Motor overload protection	Yes
Motor stall protection	Yes
Motor underload protection	Yes
Short-circuit protection	Yes
Surge protection	Yes (varistor input)
Conformed coated (varnished) boards	Yes (prevents corrosion)

Wiring Diagram

Control Input/Output, PID Application

**Standards**

- Digital inputs D1–D6, relay out, analog in/out are freely programmed
- The user can assign a single input to multiple functions

Includes

- Six digital input
- Two analog input
- One analog output
- Three relay output
- RS-485
- Ethernet (BACnet and Modbus)

Reliability

- Pretested components
- Conformal coated (varnished) boards
- 40 °C rated
- 110% overload for one minute
- Eaton Electrical Services & Systems national network of AF drive specialists

2.9

Adjustable Frequency Drives

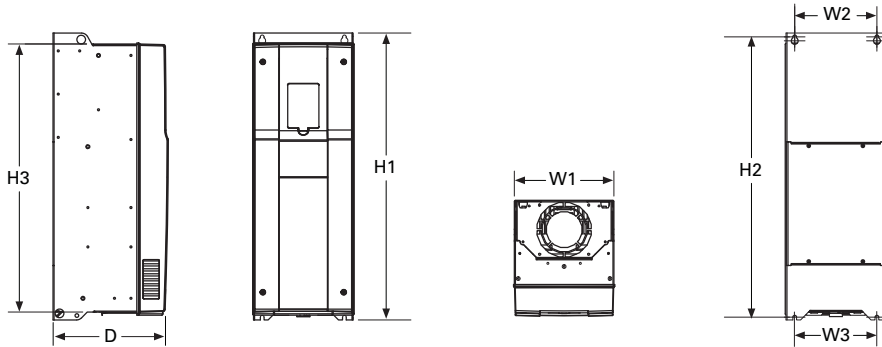
H-Max Series Drives

Dimensions

Approximate Dimensions in Inches (mm)

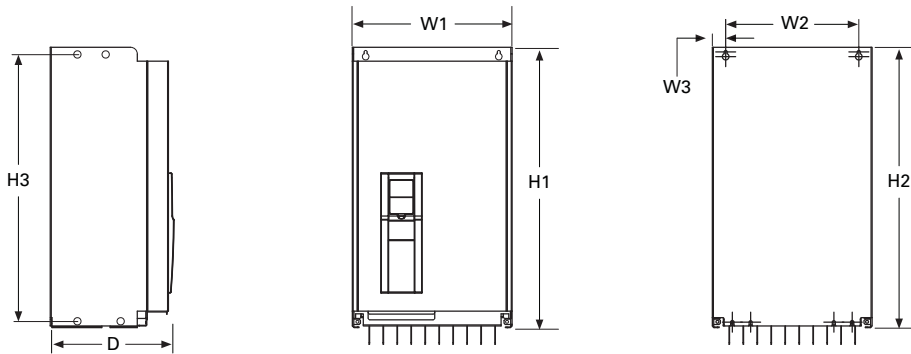
2

H-Max Series Frames FS4-FS7



Voltage	hp	kW	Amps	D	H1	Hole Center-to-Center H2	H3	W1	W2	W3	Weight in Lbs (kg)
FS4											
230 Vac	0.75-4	0.55-3.0	3.7-12.5	7.77 (197.3)	12.89 (327.5)	12.32 (313.0)	11.22 (285.0)	5.04 (128.0)	3.94 (100.0)	3.94 (100.0)	13.2 (6)
480 Vac	1.5-7.5	1.1-5.5	3.4-12								
FS5											
230 Vac	5-10	4-7.5	18-31	8.73 (221.6)	16.50 (419.0)	15.98 (406.0)	15.04 (382.0)	5.67 (144.0)	4.53 (115.0)	3.94 (100.0)	22.0 (10)
480 Vac	10-20	7.5-15	16-31								
FS6											
230 Vac	15-20	11-15	48-62	9.29 (236.0)	21.93 (557.0)	21.28 (540.5)	20.24 (514.0)	7.68 (195.0)	5.83 (148.0)	5.83 (148.0)	44.1 (20)
480 Vac	25-40	18.5-30	38-61								
FS7											
230 Vac	25-30	18.5-30	75-105	10.49 (266.5)	25.98 (660.0)	25.39 (645.0)	24.29 (617.0)	9.06 (230.0)	7.48 (190.0)	7.48 (190.0)	82.6 (37.5)
480 Vac	50-75	37-55	72-105								

H-Max Series Frames FS8 and FS9



Voltage	hp	kW	Amps	D	H1	Hole Center-to-Center H2	H3	W1	W2	W3	Weight in Lbs (kg)
FS8											
230 Vac	50-75	37-55	140-205	13.76 (349.6)	38.02 (965.7)	37.26 (946.4)	37.26 (946.4)	11.42 (290.1)	9.29 (236.0)	1.42 (36.0)	154.3 (70)
480 Vac	100-150	75-110									
FS9											
230 Vac	100-120	75-90	261-310	14.63 (371.6)	33.09 (890.4)	31.89 (810.0)	31.89 (810.0)	18.90 (480.0)	15.75 (400.0)	1.57 (40.0)	238.1 (108)
480 Vac	200-250	132-160									

Note: For flange dimension, please reference User Manual.

H-Max IntelliPass and IntelliDisconnect Drives



Contents

Description	Page
H-Max Drives	V6-T2-223
H-Max IntelliPass and IntelliDisconnect Drives	
Catalog Number Selection	V6-T2-236
Product Selection	V6-T2-237
Technical Data and Specifications	V6-T2-247
Wiring Diagrams	V6-T2-248
Dimensions	V6-T2-250

H-Max IntelliPass and IntelliDisconnect Drives

Product Description

The IntelliPass electronic bypass is a two or optional three contactor design using a 24 Vdc **XT** Series contactor with an optional manual override switch that allows the unit to run in bypass without the H-Max Series drive.

The IntelliPass software parameters utilize engineering units common to the HVAC industry. Onboard startup wizard guarantees flawless commissioning with plug-and-play screen entry. Available in NEMA/UL Type 1, Type 12 and Type 3R with optional pre-engineered operator devices to meet all customized specification requirements.

The IntelliPass construction features allow for easy installation, reliable operation and serviceability with additional onboard wire space, and removable conduit plates with knockouts.

Features and Benefits

Industry-leading energy saving solution—uses the Eaton H-Max drive with Active Energy Control algorithm.

Built to be as tough as the application—Eaton's robust design boasts an industrial grade enclosure and industry proven components.

- Industrial Power Supply
- **XT** Contactors
- 22 mm Pilot Devices

Built-in electronic bypass capability with external 24 Vdc power supply allows the H-Max drive to control the bypass circuit through the keypad, digital input or BMS communications and in fault conditions.

Designed with Our Customers in Mind

- Removable top and bottom entry panels
- Door-mounted graphic display and keypad
- Easily accessible connection terminals with removable I/O terminal connections

Engineered Product Solution

- The Eaton H-Max IntelliPass and IntelliDisconnect products are available with a variety of factory tested and certified options meeting or exceeding UL508C requirements

Standards and Certifications

Product

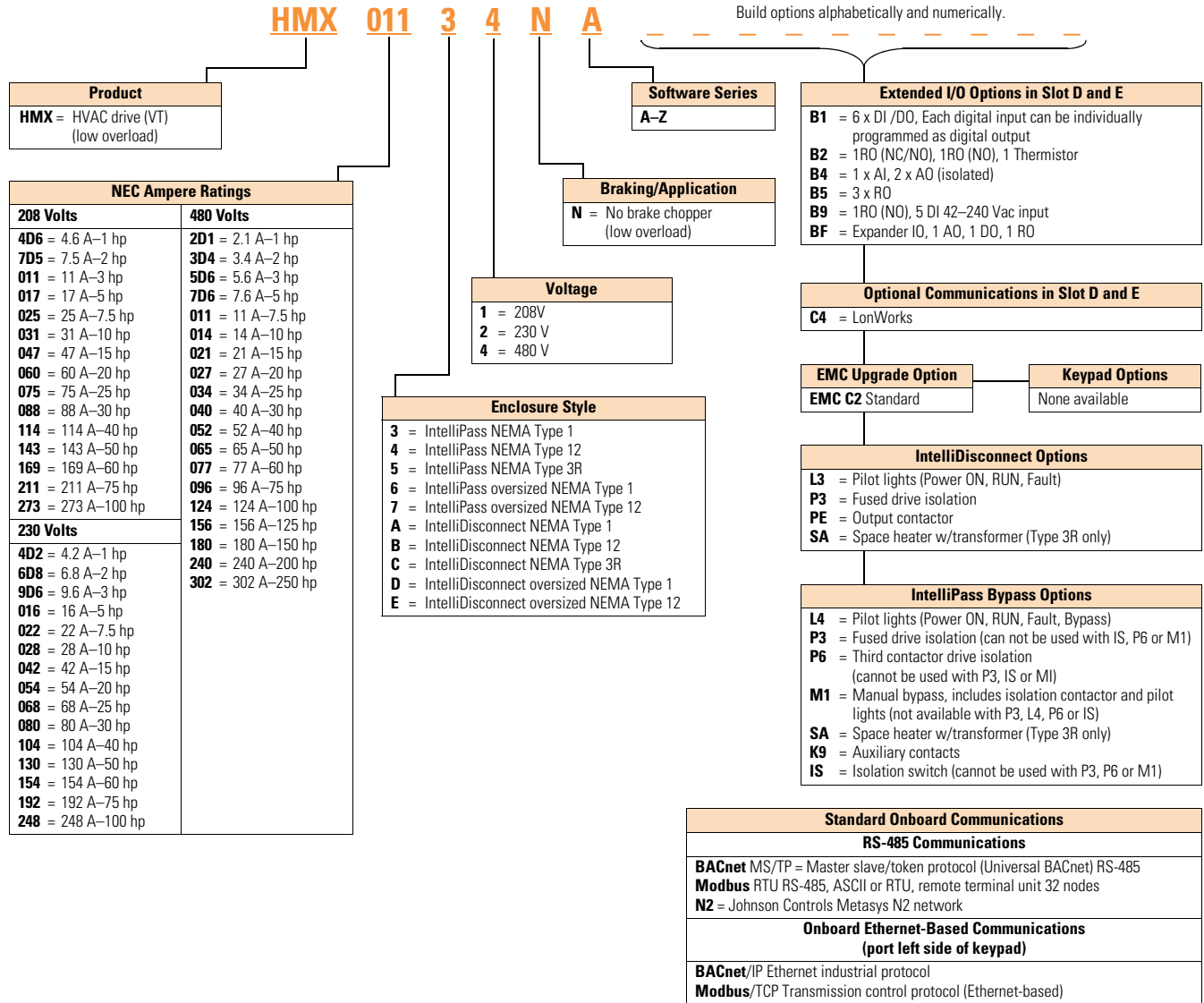
- IEC 61800-5-1
- UL508C
- cUL
- OSHPD Seismic Certified



Catalog Number Selection

H-Max Series IntelliPass and IntelliDisconnect Drives

2



Notes

- IntelliPass—two contactor electronic bypass standard.
- All boards are varnished. Corrosion resistant.
- Battery included in all drives for real-time clock. Three year lifetime.
- Keypad kit includes HOA bypass.
- EMI/RFI filters included.
- DC link choke included.
- IntelliDisconnect includes 1 Form C and 1 Form A
- IntelliPass includes 1 Form A.
- When L3 or L4 option is selected, 1 Form A relay is used as well.
- For more relays required, select/order the B5 option card.

Product Selection

H-Max Series IntelliPass NEMA Type 1—Two Contactor Bypass Standard

HMX

**208 Vac**

Enclosure Frame Size	Horsepower	Drive Rated NEC Amps	Catalog Number
FS4	1	4.6	HMX4D631NA
	2	7.5	HMX7D531NA
	3	11	HMX01131NA
FS5	5	17	HMX01731NA
	7.5	25	HMX02531NA
	10	31	HMX03131NA
FS6	15	47	HMX04731NA
FS7	20	60	HMX06031NA
	25	75	HMX07531NA
	30	88	HMX08831NA

230 Vac

Enclosure Frame Size	Horsepower	Drive Rated NEC Amps	Catalog Number
FS4	1	4.2	HMX4D232NA
	2	6.8	HMX6D832NA
	3	9.6	HMX9D632NA
FS5	5	16	HMX01632NA
	7.5	22	HMX02232NA
	10	28	HMX02832NA
FS6	15	42	HMX04232NA
FS7	20	54	HMX05432NA
	25	68	HMX06832NA
	30	80	HMX08032NA

480 Vac

Enclosure Frame Size	Horsepower	Drive Rated NEC Amps	Catalog Number
FS4	1	2.1	HMX2D134NA
	2	3.4	HMX3D434NA
	3	5.6	HMX5D634NA
	5	7.6	HMX7D634NA
	7.5	11	HMX01134NA
FS5	10	14	HMX01434NA
	15	21	HMX02134NA
	20	27	HMX02734NA
FS6	25	34	HMX03434NA
	30	40	HMX04034NA
	40	52	HMX05234NA
FS7	50	65	HMX06534NA
	60	77	HMX07734NA
	75	96	HMX09634NA

NotesFor Wiring Diagrams, see **Page V6-T2-249**.For NEMA 12 or 3R enclosures, see Catalog Number Selection on **Page V6-T2-236**.

Call Technical Support for NEMA 3R specifics. Enclosure size and weight differ from NEMA 1 and 12 products.

H-Max Series IntelliPass NEMA Type 12—Two Contactor Bypass Standard

2

HMX_

**208 Vac**

Enclosure Frame Size	Horsepower	Drive Rated NEC Amps	Catalog Number
FS4	1	4.6	HMX4D641NA
	2	7.5	HMX7D541NA
	3	11	HMX01141NA
FS5	5	17	HMX01741NA
	7.5	25	HMX02541NA
	10	31	HMX03141NA
FS6	15	47	HMX04741NA
FS7	20	60	HMX06041NA
	25	75	HMX07541NA
	30	88	HMX08841NA
D	40	114	HMX11471NA
	50	143	HMX14371NA
	60	169	HMX16971NA
5	75	211	HMX21171NA
	100	273	HMX27371NA

230 Vac

Enclosure Frame Size	Horsepower	Drive Rated NEC Amps	Catalog Number
FS4	1	4.2	HMX4D242NA
	2	6.8	HMX6D842NA
	3	9.6	HMX9D642NA
FS5	5	16	HMX01642NA
	7.5	22	HMX02242NA
	10	28	HMX02842NA
FS6	15	42	HMX04242NA
FS7	20	54	HMX05442NA
	25	68	HMX06842NA
	30	80	HMX08042NA
D	40	104	HMX10472NA
	50	130	HMX13072NA
	60	154	HMX15472NA
	75	192	HMX19272NA
5	100	248	HMX24872NA

Notes

For Wiring Diagrams, see **Page V6-T2-249**.

For NEMA 12 or 3R enclosures, see Catalog Number Selection on **Page V6-T2-236**.

Call Technical Support for NEMA 3R specifics. Enclosure size and weight differ from NEMA 1 and 12 products.

HMX_

480 Vac



Enclosure Frame Size	Horsepower	Drive Rated NEC Amps	Catalog Number
FS4	1	2.1	HMX2D144NA
	2	3.4	HMX3D444NA
	3	5.6	HMX5D644NA
	5	7.6	HMX7D644NA
	7.5	11	HMX01144NA
FS5	10	14	HMX01444NA
	15	21	HMX02144NA
	20	27	HMX02744NA
FS6	25	34	HMX03444NA
	30	40	HMX04044NA
	40	52	HMX05244NA
FS7	50	65	HMX06544NA
	60	77	HMX07744NA
	75	96	HMX09644NA
D	100	124	HMX12747NA
	125	156	HMX15674NA
	150	180	HMX18074NA
5	200	240	HMX24074NA
	250	302	HMX30274NA

H-Max Series IntelliPass NEMA Type 3R—Two Contactor Bypass Standard

HMX_

208 Vac



Enclosure Frame Size	Horsepower	Drive Rated NEC Amps	Catalog Number
A	1	4.6	HMX4D651NA
	2	7.5	HMX7D551NA
	3	11	HMX01151NA
A	5	17	HMX01751NA
	7.5	25	HMX02551NA
	10	31	HMX03151NA
B	15	47	HMX04751NA
C	20	60	HMX06051NA
	25	75	HMX07551NA
	30	88	HMX08851NA
D	40	114	HMX11451NA
	50	143	HMX14351NA
	60	169	HMX16951NA
F	75	211	HMX21151NA
	100	273	HMA27351NA

NotesFor Wiring Diagrams, see **Page V6-T2-249**.For NEMA 12 or 3R enclosures, see Catalog Number Selection on **Page V6-T2-236**.

Call Technical Support for NEMA 3R specifics. Enclosure size and weight differ from NEMA 1 and 12 products.

HMX_

**230 Vac**

Enclosure Frame Size	Horsepower	Drive Rated NEC Amps	Catalog Number
A	1	4.2	HMX4D252NA
	2	6.8	HMX6D852NA
	3	9.6	HMX9D652NA
A	5	16	HMX01652NA
	7.5	22	HMX02252NA
	10	28	HMX02852NA
	15	42	HMX04252NA
B	20	54	HMX05452NA
C	25	68	HMX06852NA
	30	80	HMX08052NA
D	40	104	HMX10452NA
	50	130	HMX13052NA
	60	154	HMX15452NA
	75	192	HMX19252NA
F	100	248	HMX24852NA

480 Vac

Enclosure Frame Size	Horsepower	Drive Rated NEC Amps	Catalog Number
A	1	2.1	HMX2D154NA
	2	3.4	HMX3D454NA
	3	5.6	HMX5D654NA
	5	7.6	HMX7D654NA
	7.5	11	HMX01154NA
A	10	14	HMX01454NA
	15	21	HMX02154NA
	20	27	HMX02754NA
B	25	34	HMX03454NA
	30	40	HMX04054NA
	40	52	HMX05254NA
C	50	65	HMX06554NA
	60	77	HMX07754NA
	75	96	HMX09654NA
D	100	124	HMX12544NA
	125	156	HMX15654NA
	150	180	HMX18054NA
F	200	240	HMX24054NA
	250	302	HMX30254NA

Notes

For Wiring Diagrams, see **Page V6-T2-249**.

For NEMA 12 or 3R enclosures, see Catalog Number Selection on **Page V6-T2-236**.

Call Technical Support for NEMA 3R specifics. Enclosure size and weight differ from NEMA 1 and 12 products.

H-Max Series IntelliDisconnect NEMA Type 1—Main Disconnect Standard

HMX

**208 Vac**

Enclosure Frame Size	Horsepower	Drive Rated NEC Amps	Catalog Number
FS4	1	4.6	HMX4D6A1NA
	2	7.5	HMX7D5A1NA
	3	11	HMX011A1NA
FS5	5	17	HMX017A1NA
	7.5	25	HMX025A1NA
	10	31	HMX031A1NA
FS6	15	47	HMX047A1NA
FS7	20	60	HMX060A1NA
	25	75	HMX075A1NA
	30	88	HMX088A1NA

230 Vac

Enclosure Frame Size	Horsepower	Drive Rated NEC Amps	Catalog Number
FS4	1	4.2	HMX4D2A2NA
	2	6.8	HMX6D8A2NA
	3	9.6	HMX9D6A2NA
FS5	5	16	HMX016A2NA
	7.5	22	HMX022A2NA
	10	28	HMX028A2NA
FS6	15	42	HMX042A2NA
FS7	20	54	HMX054A2NA
	25	68	HMX068A2NA
	30	80	HMX080A2NA

480 Vac

Enclosure Frame Size	Horsepower	Drive Rated NEC Amps	Catalog Number
FS4	1	2.1	HMX2D1A4NA
	2	3.4	HMX3D4A4NA
	3	5.6	HMX5D6A4NA
	5	7.6	HMX7D6A4NA
	7.5	11	HMX011A4NA
FS5	10	14	HMX014A4NA
	15	21	HMX021A4NA
	20	27	HMX027A4NA
FS6	25	34	HMX034A4NA
	30	40	HMX040A4NA
	40	52	HMX052A4NA
FS7	50	65	HMX065A4NA
	60	77	HMX077A4NA
	75	96	HMX096A4NA

Notes

For Wiring Diagrams, see [Page V6-T2-249](#).

For NEMA 12 or 3R enclosures, see Catalog Number Selection on [Page V6-T2-236](#).

Call Technical Support for NEMA 3R specifics. Enclosure size and weight differ from NEMA 1 and 12 products.

H-Max Series IntelliDisconnect NEMA Type 12—Main Disconnect Standard

2

HMX_

**208 Vac**

Enclosure Frame Size	Horsepower	Drive Rated NEC Amps	Catalog Number
FS4	1	4.6	HMX4D6B1NA
	2	7.5	HMX7D5B1NA
	3	11	HMX011B1NA
FS5	5	17	HMX017B1NA
	7.5	25	HMX025B1NA
	10	31	HMX031B1NA
FS6	15	47	HMX047B1NA
FS7	20	60	HMX060B1NA
	25	75	HMX075B1NA
	30	88	HMX088B1NA
D	40	114	HMX114E1NA
	50	143	HMX143E1NA
	60	169	HMX169E1NA
5	75	211	HMX211E1NA
	100	273	HMA273E1NA

230 Vac

Enclosure Frame Size	Horsepower	Drive Rated NEC Amps	Catalog Number
FS4	1	4.2	HMX4D2B2NA
	2	6.8	HMX6D8B2NA
	3	9.6	HMX9D6B2NA
FS5	5	16	HMX016B2NA
	7.5	22	HMX022B2NA
	10	28	HMX028B2NA
FS6	15	42	HMX042B2NA
FS7	20	54	HMX054B2NA
	25	68	HMX068B2NA
	30	80	HMX080B2NA
D	40	104	HMX104E2NA
	50	130	HMX130E2NA
	60	154	HMX154E2NA
	75	192	HMX192E2NA
5	100	248	HMX248E2NA

Notes

For Wiring Diagrams, see **Page V6-T2-249**.

For NEMA 12 or 3R enclosures, see Catalog Number Selection on **Page V6-T2-236**.

Call Technical Support for NEMA 3R specifics. Enclosure size and weight differ from NEMA 1 and 12 products.

HMX_

**480 Vac**

Enclosure Frame Size	Horsepower	Drive Rated NEC Amps	Catalog Number
FS4	1	2.1	HMX2D1B4NA
	2	3.4	HMX3D4B4NA
	3	5.6	HMX5D6B4NA
	5	7.6	HMX7D6B4NA
	7.5	11	HMX011B4NA
FS5	10	14	HMX014B4NA
	15	21	HMX021B4NA
	20	27	HMX027B4NA
FS6	25	34	HMX034B4NA
	30	40	HMX040B4NA
	40	52	HMX052B4NA
FS7	50	65	HMX065B4NA
	60	77	HMX077B4NA
	75	96	HMX096B4NA
D	100	124	HMX12E44NA
	125	156	HMX156E4NA
	150	180	HMX180E4NA
5	200	240	HMX240E4NA
	250	302	HMX302E4NA

Notes

For Wiring Diagrams, see **Page V6-T2-249**.

For NEMA 12 or 3R enclosures, see Catalog Number Selection on **Page V6-T2-236**.

Call Technical Support for NEMA 3R specifics. Enclosure size and weight differ from NEMA 1 and 12 products.

H-Max Series IntelliDisconnect NEMA Type 3R—Main Disconnect Standard

2

HMX

**208 Vac**

Enclosure Frame Size	Horsepower	Drive Rated NEC Amps	Catalog Number
A	1	4.6	HMX4D6C1NA
	2	7.5	HMX7D5C1NA
	3	11	HMX011C1NA
A	5	17	HMX017C1NA
	7.5	25	HMX025C1NA
	10	31	HMX031C1NA
	15	47	HMX047C1NA
B	20	60	HMX060C1NA
C	25	75	HMX075C1NA
	30	88	HMX088C1NA
D	40	114	HMX114C1NA
	50	143	HMX143C1NA
	60	169	HMX169C1NA
F	75	211	HMX211C1NA
	100	273	HMA273C1NA

230 Vac

Enclosure Frame Size	Horsepower	Drive Rated NEC Amps	Catalog Number
A	1	4.2	HMX4D2C2NA
	2	6.8	HMX6D8C2NA
	3	9.6	HMX9D6C2NA
A	5	16	HMX016C2NA
	7.5	22	HMX022C2NA
	10	28	HMX028C2NA
	15	42	HMX042C2NA
B	20	54	HMX054C2NA
C	25	68	HMX068C2NA
	30	80	HMX080C2NA
D	40	104	HMX104C2NA
	50	130	HMX130C2NA
	60	154	HMX154C2NA
	75	192	HMX192C2NA
F	100	248	HMX248C2NA

Notes

For Wiring Diagrams, see **Page V6-T2-249**.

For NEMA 12 or 3R enclosures, see Catalog Number Selection on **Page V6-T2-236**.

Call Technical Support for NEMA 3R specifics. Enclosure size and weight differ from NEMA 1 and 12 products.

HMX_

480 Vac



Enclosure Frame Size	Horsepower	Drive Rated NEC Amps	Catalog Number
A	1	2.1	HMX2D1C4NA
	2	3.4	HMX3D4C4NA
	3	5.6	HMX5D6C4NA
	5	7.6	HMX7D6C4NA
	7.5	11	HMX011C4NA
A	10	14	HMX014C4NA
	15	21	HMX021C4NA
	20	27	HMX027C4NA
B	25	34	HMX034C4NA
	30	40	HMX040C4NA
	40	52	HMX052C4NA
C	50	65	HMX065C4NA
	60	77	HMX077C4NA
	75	96	HMX096C4NA
D	100	124	HMX124C4NA
	125	156	HMX156C4NA
	150	180	HMX180C4NA
F	200	240	HMX240C4NA
	250	302	HMX302C4NA

NotesFor Wiring Diagrams, see **Page V6-T2-249**.For NEMA 12 or 3R enclosures, see Catalog Number Selection on **Page V6-T2-236**.

Call Technical Support for NEMA 3R specifics. Enclosure size and weight differ from NEMA 1 and 12 products.

Onboard Network Communications**Johnson Controls Metasys N2**

H-Max Series provides communication between the drive and a Johnson Controls Metasys™ N2 network. With this connection, the drive can be controlled, monitored and programmed from the Metasys system. N2 can be selected and programmed by the drive keypad.

BACnet

H-Max Series provides communication to BACnet networks. Data transfer is master-slave/token passing (MS/TP) RS-485.

BACnet/IP

100Base-T interface.

Modbus TCP

Ethernet based protocol.

Modbus RTU

H-Max Series provides communication to Modbus RTU RS-485 as a slave on a Modbus network. Other communication parameters include an address range from 1 to 247; a parity of None, Odd or Even; and the stop bit is 1.

2.9

Adjustable Frequency Drives

H-Max Series Drives

2

H-Max Series Option Board Kits Available for Slots D and E

The H-Max Series drives can accommodate a wide selection of expander and adapter option boards to

customize the drive for your application needs. The drive's control unit is designed to accept a total of two option boards.

The H-Max Series factory-installed standard board configuration includes an I/O board and a relay output board.

Option Boards Mounted in Slots D and E

Option Kit Description	Option Kit Catalog Number
6 x DI /DO, each digital input can be individually programmed as digital output	XXM-IO-B1-A
1RO Form C (NO/NC), 1RO Form A (NO), 1 thermistor	XXM-IO-B2-A
1 x AI, 2 x AO (isolated)	XXM-IO-B4-A
3 x RO Form A (NO)	XXM-IO-B5-A
1RO Form A (NO), 5DI 42–240 Vac input	XXM-IO-B9-A
LonWorks	XXM-COM-C4-A
1 x AO, 1 x DO, 1 x RO	XXM-IO-BF-A

Extended I/O Options in Slot D and E

Description	Suffix Number
6 x DI /DO, Each digital input can be individually programmed as digital output	B1
1RO (NC/NO), 1RO (NO), 1 Thermistor	B2
1 x AI, 2 x AO (isolated)	B4
3 x RO	B5
1RO (NO), 5 DI 42–240 Vac input	B9
Expander IO, 1 AO, 1 DO, 1 RO	BF

Optional Communications in Slot D and E

Description	Suffix Number
LonWorks	C4

IntelliDisconnect Options

Description	Suffix Number
Pilot lights (Power ON, RUN, Fault)	L3
Fused drive isolation (cannot be used with PE)	P3
Output contactor (cannot be used with P3)	PE
Space heater w/transformer (Type 3R only)	SA

IntelliPass Bypass Options

Description	Suffix Number
Pilot lights (Power ON, RUN, Fault)	L4
Fused drive isolation (can not be used with P6)	P3
Third contactor drive isolation (cannot be used with P3 or IS)	P6
Manual bypass switch located on front door	M1
Space heater w/transformer (Type 3R only)	SA
Auxiliary contacts	K9
Isolation switch	IS

Standard Onboard Communications

Description	Suffix Number
RS-485 Communications	
BACnet MS/TP = Master slave/token protocol (Universal BACnet) RS-485	BACnet
Modbus RTU RS-485, ASCII or RTU, remote terminal unit 32 nodes	Modbus
Johnson Controls Metasys N2 network	N2
Onboard Ethernet-Based Communications (port left side of keypad)	
BACnet/IP Ethernet industrial protocol	BACnet
Modbus/TCP Transmission control protocol (Ethernet-based)	Modbus

Technical Data and Specifications

Primary Design Features

Description	IntelliPass	IntelliDisconnect
CB MMP	Standard	Standard
2 contactor bypass	Standard	N/A
Electrical interlock	Standard	N/A
Third contactor (isolation)	Optional	N/A

H-Max Series Drives

Description	Specification
Input Ratings	
Input voltage (V_{in})	208, 230, 480 Vac, -10%/+10%
Input frequency (f_{in})	50/60 Hz (variation up to 47–66 Hz)
Connection to power	Once per minute or less (typical operation)
Short-circuit withstand rating	65 kAIC combination
Output Ratings	
Output voltage	0 to V_{in}/U_{in} line voltage in
Continuous output current	Ambient temperature max. 104 °F (40 °C)
I_L overload	1.1 x I_L (1 min./10 min.)
Overload current	110% (1 min./10 min.)
Initial output current	150% for two seconds
Output frequency	0 to 320 Hz
Frequency resolution	0.01 Hz
Control Characteristics	
Control method	Frequency control (V/f) open loop sensorless vector control
Switching frequency	1–310 amps; adjustable with parameter 2.6.9 FS4–FS7: default 6 kHz
Frequency reference	Analog input: Resolution 0.1% (10-bit), accuracy $\pm 1\%$ Panel reference: Resolution 0.01 Hz
Field weakening point	8 to 320 Hz
Acceleration time	0.1 to 3000 seconds
Deceleration time	0.1 to 3000 seconds
Braking torque	DC brake: 30% x T_n
Ambient Conditions	
Ambient operating temperature	FS4–FS7: 14 °F (-10 °C), no frost to 104 °F (40 °C) (Drive can operate at 122 °F (50 °C))
Storage temperature	-40° to 158 °F (-40° to 70 °C)
Relative humidity	0 to 95% RH, noncondensing, non-corrosive, no dripping water
Air quality	Chemical vapors: IEC 60721-3-3, unit in operation, Class 3C2; Mechanical particles: IEC 60721-3-3, unit in operation, Class 3S2
Altitude	100% load capacity (no derating) up to 3280 ft (1000 m); 1% derating for each 328 ft (100 m) above 3280 ft (1000 m); max. 9842 ft (3000 m); 380–480 V
Enclosure class	NEMA Type 1/IP21 or NEMA Type 12/IP54 (keypad required for IP54/Type 12)

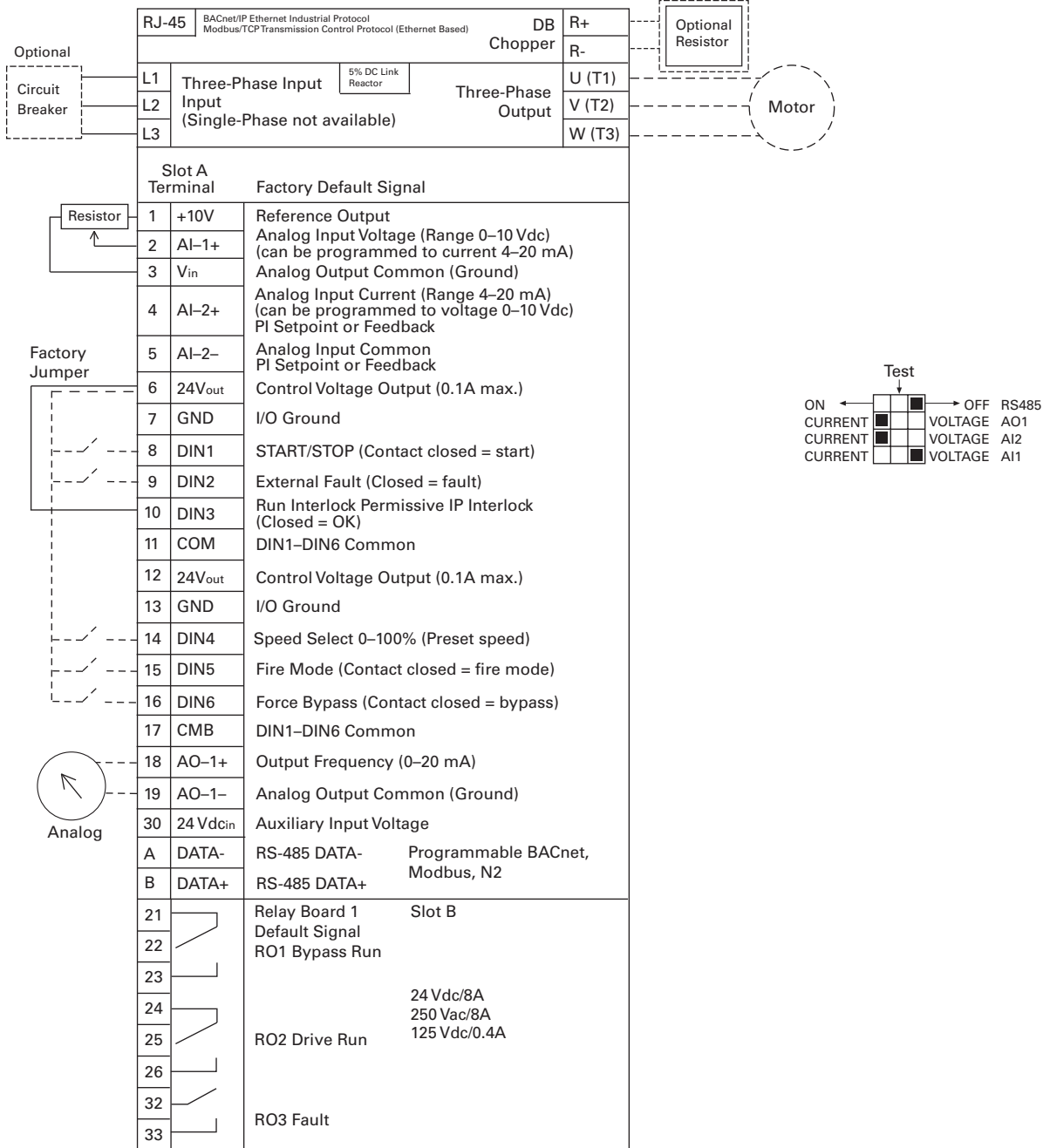
Description	IntelliPass	IntelliDisconnect
Isolation switch	Optional	N/A
Top entry (power)	Standard	Standard
Bottom entry (power)	Standard	Standard
Output contactor	Standard	Optional

Description	Specification
Standards	
EMC	Immunity: Fulfills all EMC immunity requirements; Emissions: EN 61800-3, LEVEL H (EMC C2)
Emissions	EMC level dependent— +EMC 2: EN61800-3 (2004) Category C2 Delivered with Class C2 EMC filtering as default.
Control Connections	
Analog input voltage	0 to 10 V, $R = 200$ kohms differential Resolution 0.1%; Accuracy $\pm 1\%$ DIP switch selection (voltage/current)
Analog input current	0(4) to 20 mA; $R_i = 250$ ohms differential
Digital inputs (6)	Positive or negative logic; 18 to 30 Vdc
Auxiliary voltage	+24 V $\pm 10\%$, max. 250 mA
Output reference voltage	+10 V $\pm 3\%$, max. load 10 mA
Analog output	0–10 V, 0(4) to 20 mA; R_L max. 500 ohms; Resolution 10 bit; Accuracy $\pm 2\%$; DIP switch selection (voltage/current)
Relay outputs	IntelliDisconnect: 2 programmable, 1 Form C, 1 Form A IntelliPass: 1 programmable, 1 Form A With L3 or L4 option, 1 Form A relay is used Switching capacity: 24 Vdc/8 A, 250 Vac/8 A, 125 Vdc/0.4 A
Hard wire jumper	Between terminal 6 and 10 factory default
DIP switch setting default	RS-485 = off A01 = current A12 = current A11 = voltage
Protections	
Overcurrent protection	Yes
Overvoltage protection	Yes
DC bus regulation anti-trip	Yes (accelerates or decelerates the load)
Undervoltage protection	Yes
Earth fault protection	Yes (in case of earth fault in motor or motor cable, only the frequency converter is protected)
Input phase supervision	Yes (trips if any of the input phases are missing)
Motor phase supervision	Yes (trips if any of the output phases are missing)
Overtemperature protection	Yes
Motor overload protection	Yes
Motor stall protection	Yes
Motor underload protection	Yes
Short-circuit protection	Yes
Surge protection	Yes (varistor input)
Conformed coated (varnished) board	Yes (prevents corrosion)

Wiring Diagrams

Control Input/Output, PID Application

2



Standards

- Digital inputs D1–D6, relay out, analog in/out are freely programmed
- The user can assign a single input to multiple functions

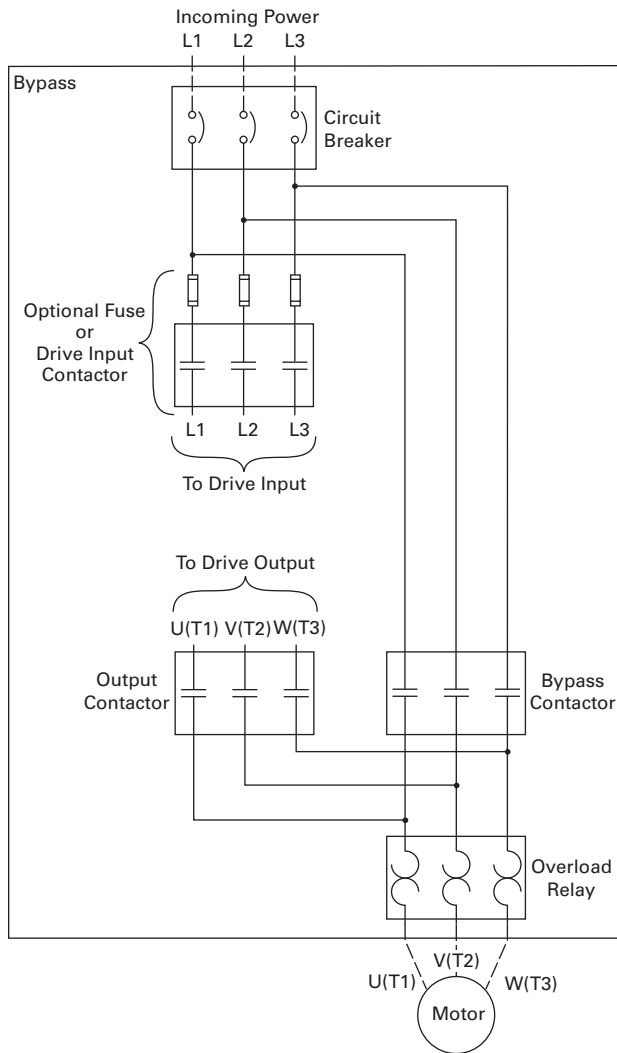
Includes

- Six digital input
- Two analog input
- One analog output
- Three relay outputs (2 relays are factory wired for bypass operation in IntelliPass configurations)
- RS-485
- Ethernet

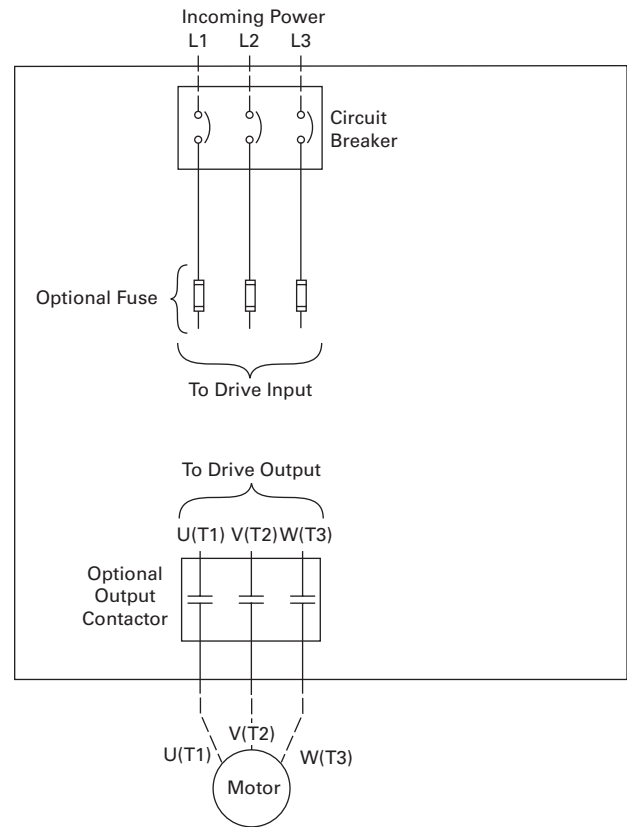
Reliability

- Pretested components
- Conformal coated (varnished) boards
- 40 °C rated
- 110% overload for one minute
- Eaton Electrical Services & Systems national network of AF drive specialists

H-Max Series IntelliPass



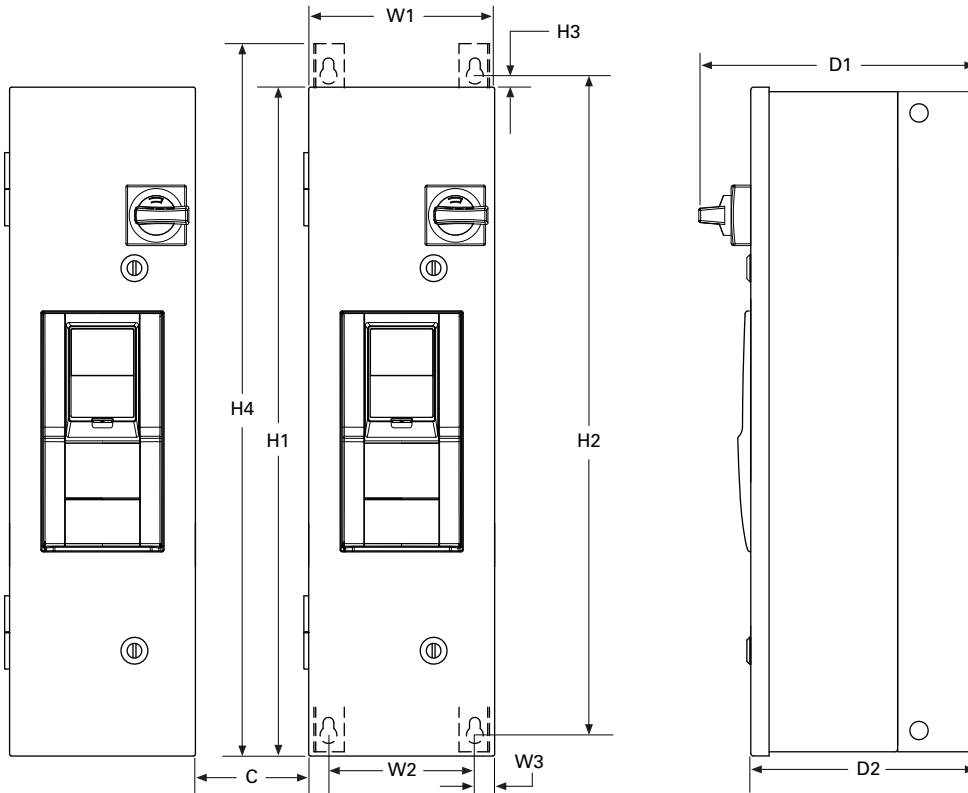
H-Max Series IntelliDisconnect Power Wiring



Dimensions

Approximate Dimensions in Inches (mm)

2 H-Max Series IntelliPass and IntelliDisconnect Drives



Distance to mount multiple drives.

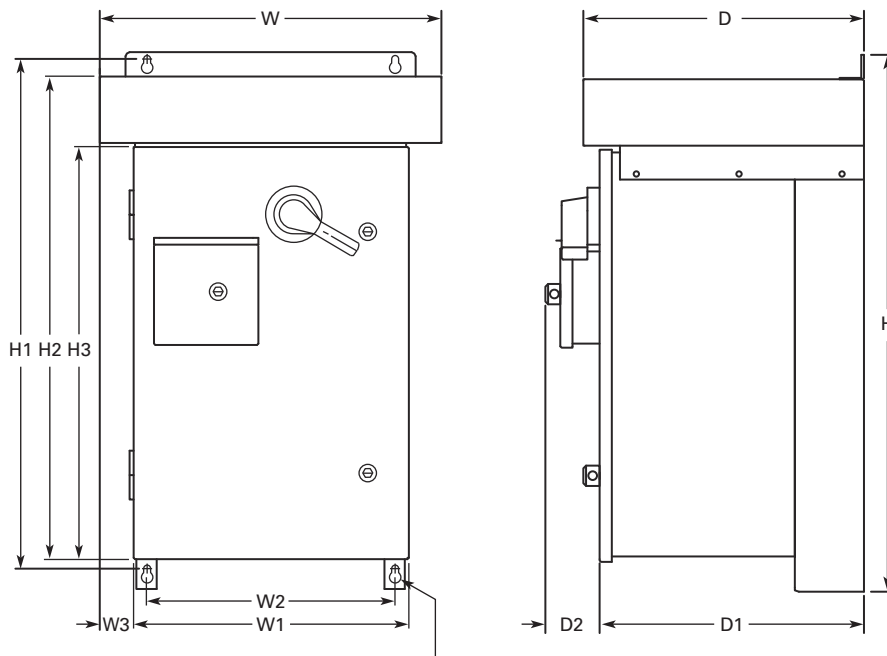
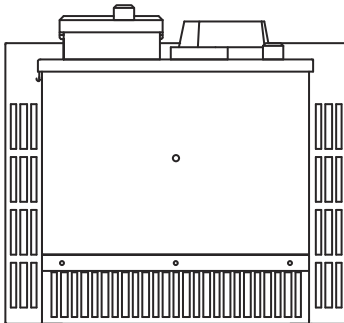
	Top	Bottom
FR4	4.00 (101.6)	2.00 (50.8)
FR5	4.75 (120.7)	2.50 (63.5)
FR6	6.50 (165.1)	3.25 (82.6)
FR7	10.00 (254.0)	4.00 (101.6)

Consult factory or use manual for final dimensions.

Frame Size	Voltage	Horsepower (I _L)	H1	H2	H3	H4	C	W1	W2	W3	D1	D2	Weight in Lbs (kg)
FS4	208	1-3	30.00 (762.0)	29.41 (747.1)	0.25 (6.35)	31.00 (787.4)	3.00 (76.2)	7.88 (200.2)	6.25 (158.8)	0.75 (19.1)	12.49 (317.2)	10.36 (263.1)	45 (20.41)
	230	1-3											
	480	1-7.5											
FS5	208	5-10	37.00 (939.8)	36.72 (932.7)	0.25 (6.35)	38.31 (973.0)	3.00 (76.2)	9.60 (243.8)	7.97 (202.4)	0.75 (19.1)	15.35 (390.0)	13.22 (335.8)	57.5 (26.10)
	230	5-10											
	480	10-20											
FS6	208	15-20	45.45 (1154.4)	44.81 (1138.2)	0.25 (6.35)	46.4 (1178.6)	4.00 (101.6)	11.44 (290.6)	9.75 (247.6)	0.75 (19.1)	15.80 (401.3)	13.67 (347.2)	98.0 (44.45)
	230	15-20											
	480	25-40											
FS7	208	25-30	58.51 (1486.2)	57.87 (1470.0)	0.25 (6.35)	59.46 (1510.3)	5.00 (127.0)	14.52 (368.8)	12.83 (325.9)	0.75 (19.1)	15.68 (398.3)	13.72 (348.5)	165.0 (74.84)
	230	25-30											
	480	50-75											

Note: C distance is spacing required to mount multiple drives.

Approximate Dimensions in Inches (mm)

Enclosure Box A NEMA Type 3R0.44 (11.2)
Mounting
Holes
(4 Places)

Voltage AC	hp (I _L)	H	H1	H2	H3	W	W1	W2	W3	D	D1	D2	Approx. Weight Lbs (kg)	Approx. Shipping Weight Lbs (kg)
Three-Phase														
208 V	1-10	33.00	31.36	29.67	25.35	21.05	16.92	15.30	2.07	17.24	16.26	3.31	170 (77)	215 (98)
230 V	1-10	(838.2)	(796.5)	(753.6)	(643.9)	(534.7)	(429.8)	(388.6)	(52.6)	(437.9)	(413.0)	(84.1)		
480 V	1-20													

2.9

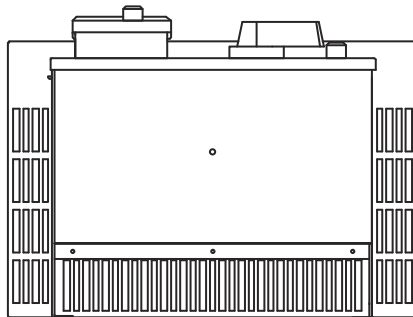
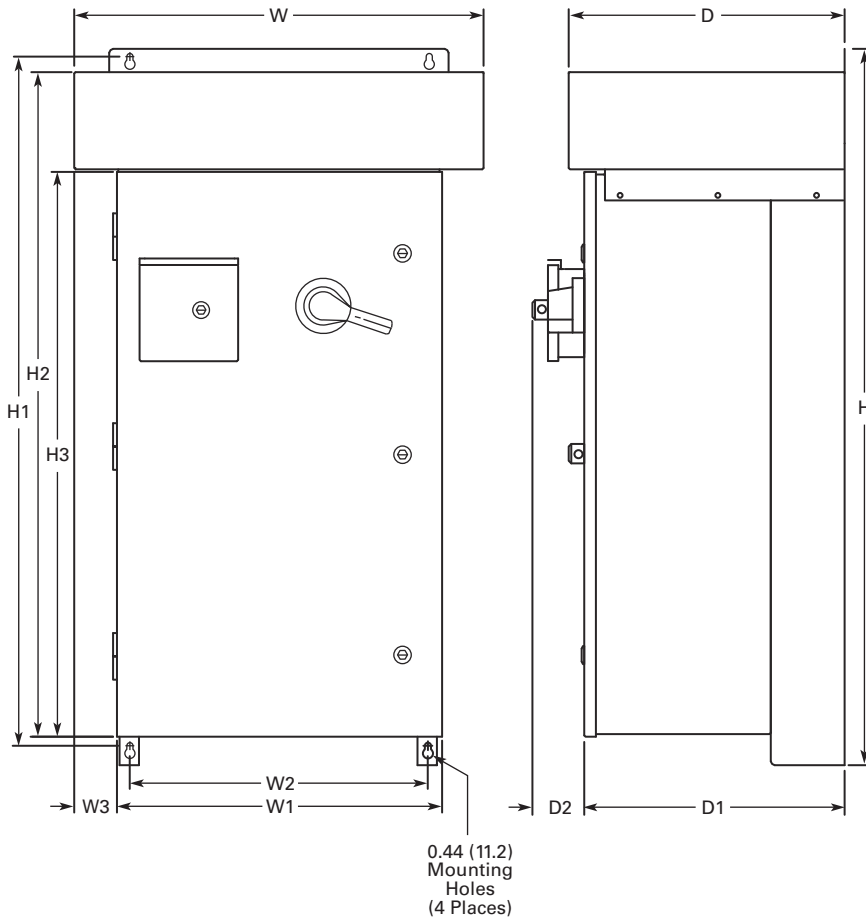
Adjustable Frequency Drives

H-Max Series Drives

Approximate Dimensions in Inches (mm)

Enclosure Box B NEMA Type 3R

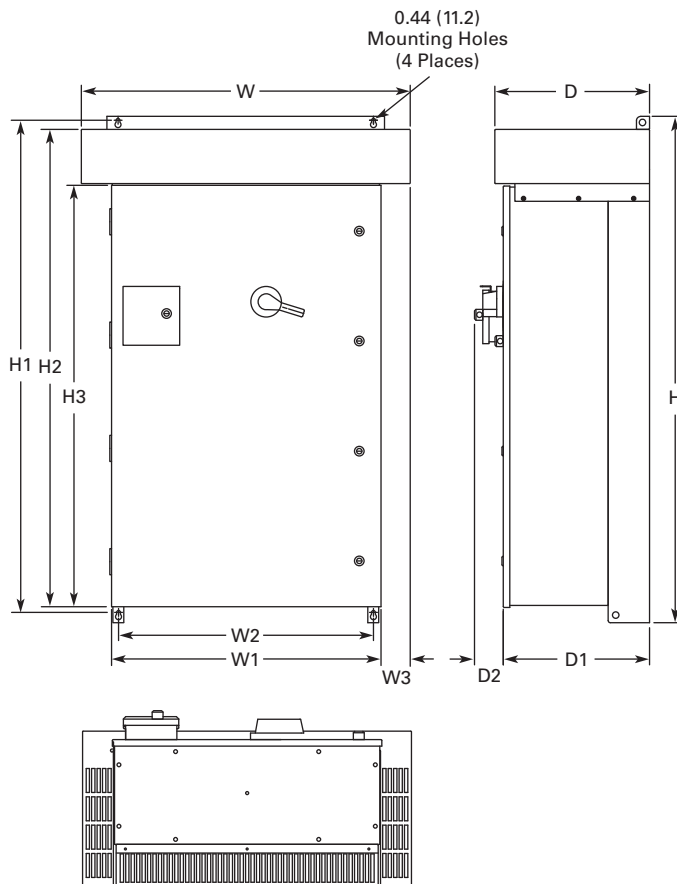
2



Voltage AC	hp (I _L)	H	H1	H2	H3	W	W1	W2	W3	D	D1	D2	Approx. Weight Lbs (kg)	Approx. Shipping Weight Lbs (kg)
Three-Phase														
208 V	15	46.09 (1170.7)	44.45 (1129.0)	42.77 (1086.4)	36.35 (923.3)	26.31 (668.3)	20.92 (531.4)	19.30 (490.2)	2.69 (68.3)	17.74 (450.6)	16.76 (425.7)	3.31 (84.1)	235 (107)	290 (132)
230 V	15													
480 V	25-40													

Approximate Dimensions in Inches (mm)

Enclosure Box C NEMA Type 3R



Voltage AC	hp (I _L)	H	H1	H2	H3	W	W1	W2	W3	D	D1	D2	Approx. Weight Lbs (kg)
Three-Phase													
208	20–30	58.09 (1475.5)	56.45 (1433.8)	54.77 (1391.2)	48.35 (1228.1)	37.73 (958.3)	30.92 (785.4)	29.30 (744.2)	3.34 (84.8)	17.74 (450.6)	16.77 (426.0)	3.31 (84.1)	①
230	20–30												
480	50–75												

Note

① Consult factory.

2.9

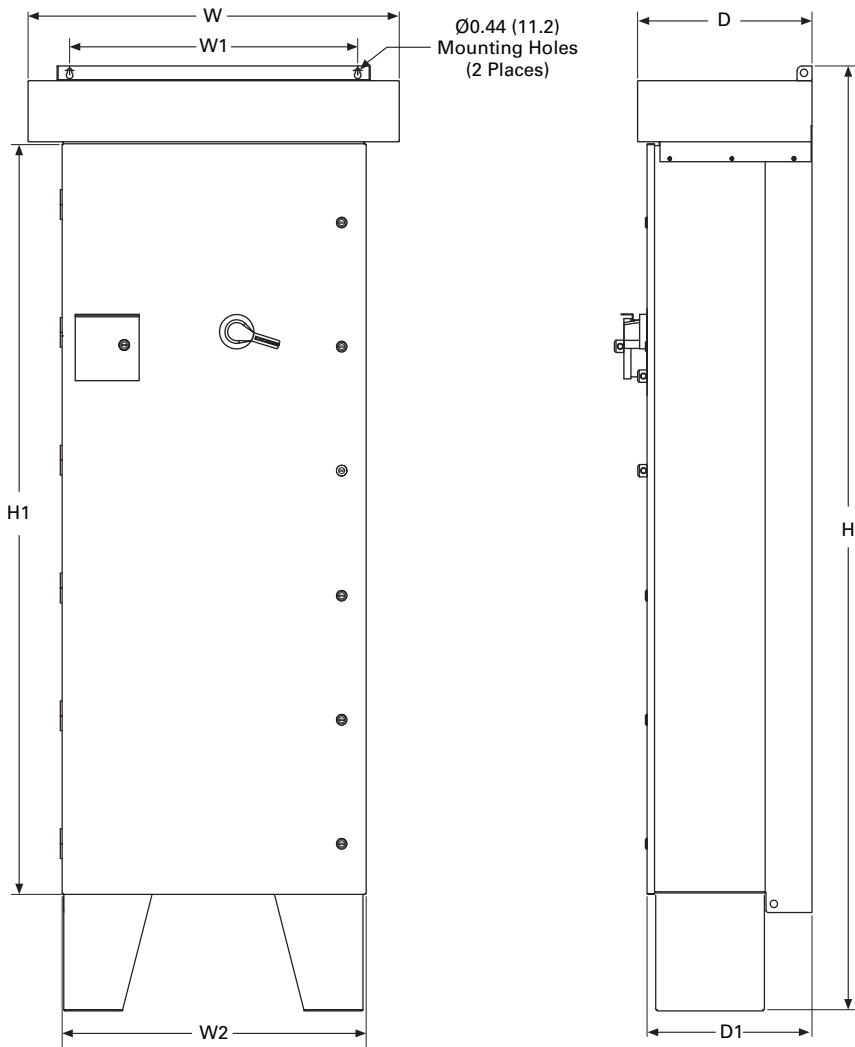
Adjustable Frequency Drives

H-Max Series Drives

Approximate Dimensions in Inches (mm)

Enclosure Box D

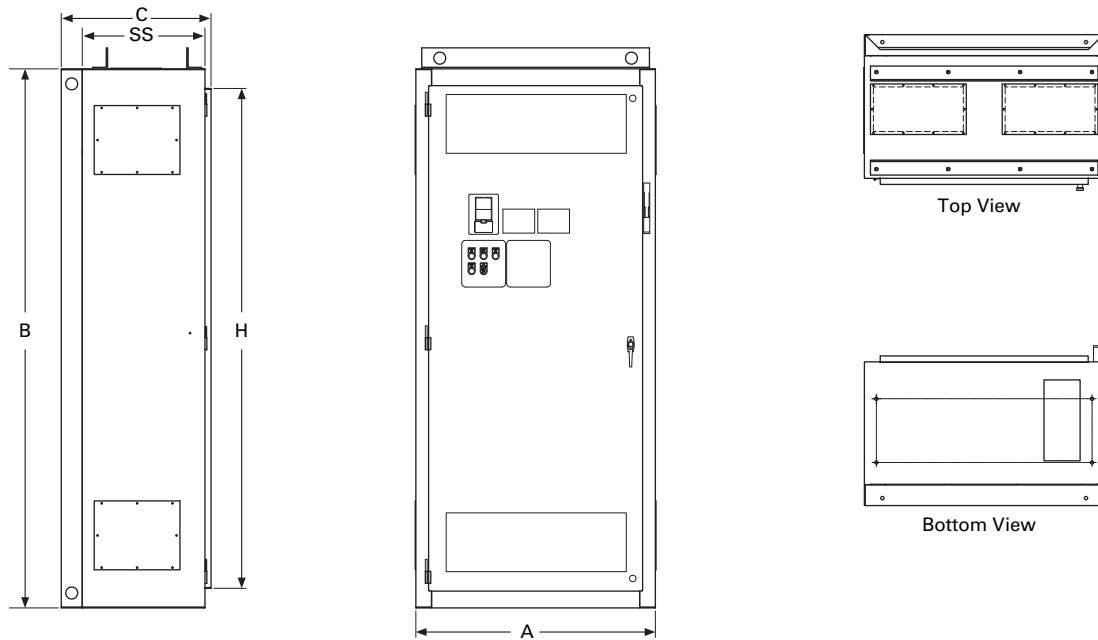
2



Voltage AC	hp (I _L)	H	H1	W	W1	W2	D	D1	Approx. Weight Lbs (kg)
NEMA Type 12									
208	40–60	80.00	76.27	31.00	29.30	30.92	16.76	16.76	850
		(2032.0)	(1937.3)	(787.4)	(744.2)	(785.4)	(425.7)	(425.7)	(386)
230	40–75								
480	100–150								
NEMA Type 3R									
208	40–60	96.00	76.27	37.73	29.30	30.92	17.74	16.76	900
		(2438.4)	(1937.3)	(958.3)	(744.2)	(785.4)	(450.6)	(425.7)	(409)
230	40–75								
480	100–150								

Approximate Dimensions in Inches (mm)

Enclosure Box 5



Voltage AC	hp (I _L)	Wide A	High B	Deep C	SS	Mounting D	D1	F	G	Door Height (H)	Approx. Weight Lbs (kg)
Three-phase											
208	75–100	40.00 (1016.0)	90.00 (2286.0)	25.00 (635.0)	20.50 (520.7)	36.00 (914.4)	2.00 (50.8)	8.00 (203.2)	10.80 (274.3)	83.45 (2119.6)	1275 (578)
230	100										
480	200–250										

2.9

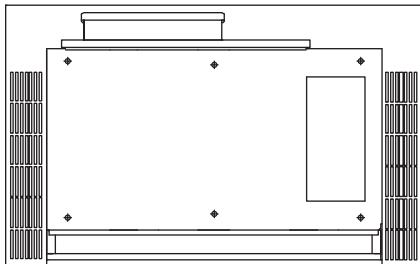
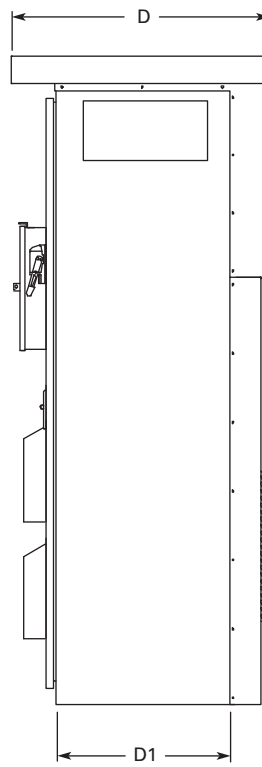
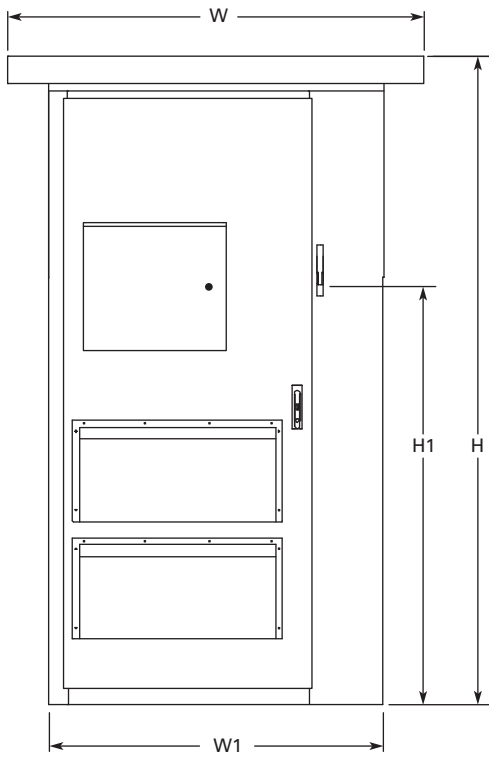
Adjustable Frequency Drives

H-Max Series Drives

Approximate Dimensions in Inches (mm)

Enclosure Box F

2



Voltage AC	hp (I _L)	H	H1	W	W1	D	D1	Approx. Weight Lbs (kg)
Three-Phase								
208	75–100	93.58 (2377.0)	69.51 (1765.5)	60.00 (1524.0)	48.00 (1219.2)	37.50 (952.5)	26.00 (660.4)	1700 (772)
230	100							
480	200–250							

SPX Drives



Product Description

The SPX Series Adjustable Frequency Drives from Eaton's Electrical Sector are specifically designed for high performance applications. Equipped with high processing power, the SPX can use information from an encoder or a resolver in order to provide very precise motor control. Sensorless vector and simple frequency control are also supported. Typical applications requiring high performance are: master-slave drives, positioning applications, winder tension control and synchronization.

The core of the SPX is a fast microprocessor, providing high dynamic performance for applications where good motor handling and reliability are required. It can be used both in open loop applications as well as in applications requiring encoder feedback.

The SPX supports fast drive-to-drive communication. It also offers an integrated data logger functionality for analysis of dynamic events without the need of additional hardware. Simultaneous fast monitoring of several drives can be done by using the 9000Xdrive tool and CAN communication. In applications where reliability and quality are essential for high-performance, the SPX is the logical choice.

Contents

Description

	<i>Page</i>
SPX Drives	
Features and Benefits	V6-T2-258
Standards and Certifications	V6-T2-258
Catalog Number Selection	V6-T2-259
Product Selection	V6-T2-260
Accessories	V6-T2-265
Options	V6-T2-266
Replacement Parts	V6-T2-273
Technical Data and Specifications	V6-T2-280
Dimensions	V6-T2-281

The Eaton family of drives includes DA1, DC1, H-Max, M-Max, SVX and SPX. 9000X Series drive ratings are rated for either high overload (I_H) or low overload (I_L). I_L indicates 110% overload capacity for 1 minute out of 10 minutes. I_H indicates 150% overload capacity for 1 minute out of 10 minutes.

Features and Benefits

- Speed error <0.01 %, depending on the encoder
- Incremental or absolute encoder support
- Encoder voltages of 5 V (RS-422), 15 V or 24 V, depending on the option card
- Full torque control at all speeds, including zero
- Torque accuracy <2%; <5% down to zero speed
- Starting torque >200%, depending on motor and drive sizing
- Integrated datalogger for system analysis
- Fast multiple drive monitoring with PC
- Full capability for master/slave configurations
- High-speed bus (12 Mbit/s) for fast inter-drive communication
- High-speed applications (up to 7200 Hz) possible with special software
- Robust design—proven 500,000 hours MTBF
- Integrated 3% line reactors standard on drives from FR4 through FR9
- Line reactor is included but is separated from chassis
- EMI/RFI Filters H standard up to 200 hp I_H 480 V, 100 hp I_H 230 V
- Simplified operating menu allows for typical programming changes, while programming mode provides control of everything
- Quick Start Wizard built into the programming of the drive ensures a smooth start-up
- Keypad can display up to three monitored parameters simultaneously
- LOCAL/REMOTE operation from keypad
- Copy/paste function allows transfer of parameter settings from one drive to the next
- Standard NEMA Type 12/IP54 keypad on all drives
- Hand-held auxiliary 240 power supply allows programming/monitoring of control module without applying full power to the drive
- The SPX can be flexibly adapted to a variety of needs using our pre-installed “Seven in One” precision application programs consisting of:
 - Basic
 - Standard
 - Local/remote
 - Multi-step speed control
 - PID control
 - Multi-purpose control
 - Pump and fan control with auto change
- Additional I/O and communication cards provide plug and play functionality
- I/O connections with simple quick connection terminals
- Control logic can be powered from an external auxiliary control panel, internal drive functions and fieldbus if necessary
- Brake chopper standard from: 1–30 hp/380–500 V 3/4–15 hp/208–230 V
- NEMA Type 1/IP21 enclosures available Frame Sizes FR4–FR11, NEMA Type 12/IP54 enclosures available Frame Sizes FR4–FR10 (FR10 and FR11 freestanding drives)
- Open chassis FR10 and greater
- Standard option board configuration includes an A9 I/O board and an A2 relay output board installed in slots A and B

Standards and Certifications

Product

- IEC 61800-2

Safety

- UL 508C

EMC (at default settings)

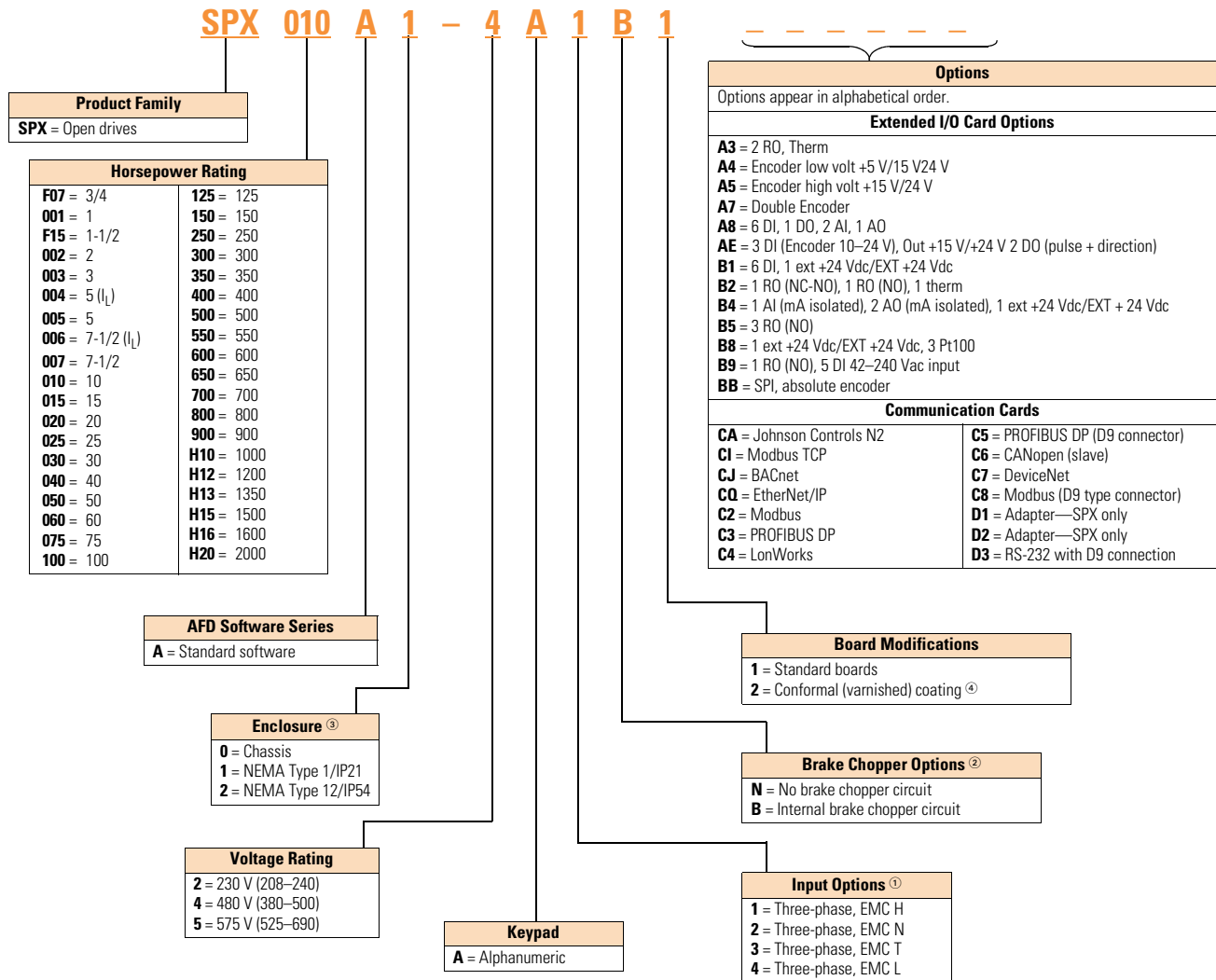
- Immunity: Fulfills all EMC immunity requirements; Emissions: EN 61800-3, LEVEL H

- UL Listed
- CE



Catalog Number Selection

SPX Adjustable Frequency Drives



Notes

- ① All 230 V drives and 480 V drives up to 200 hp (I_H) are only available with input option **1** (EMC level H), 480 V drives 250 hp (I_H) or larger are available with input option **2** (EMC level N), 575 V drives 200 hp (I_H) or larger are available with input option **2**. 575 V drives up to 150 hp (I_H) are available with input option **4** (EMC level L). 480 V and 690 V freestanding drives are available with input option **4** (EMC level L).
- ② 480 V drives up to 30 hp (I_H) are only available with brake chopper option **B**. 480 V drives 40 hp (I_H) or larger come standard with brake chopper option **N**. 230 V drives up to 15 hp (I_H) are only available with brake chopper option **B**. 230 V drives 20 hp and larger come standard with brake chopper option **N**. All 575 V drives come standard without brake chopper option (**N**). **N = No** brake chopper.
- ③ 480 V drives 250–350 hp (I_H) and 690 V drives 200–300 hp (I_H) are available with enclosure style **0** (chassis). 480 V and 690 V FR10 freestanding drives are available with **1** (NEMA Type 1/IP21) or **2** (NEMA Type 12/IP54). FR11 freestanding drives are only available with enclosure style **1** (NEMA Type 1/IP21).
- ④ Factory promise delivery. Consult sales office for availability.
- ⑤ For High-Resistance Ground systems, any SVX/SPX drive can be used if the HRG system has ground supervision. If no ground supervision feature is available, use EMC class N or T.

Product Selection

230 V Drives

2

SPX Open Drives



208–240 V, NEMA Type 1/IP21 Drives

Frame Size	hp (I _H)	Current (I _H)	hp (I _L)	Current (I _L)	Catalog Number
FR4	3/4	3.7	1	4.8	SPXF07A1-2A1B1
	1	4.8	1-1/2	6.6	SPX001A1-2A1B1
	1-1/2	6.6	2	7.8	SPXF15A1-2A1B1
	2	7.8	3	11	SPX002A1-2A1B1
	3	11	—	12.5	SPX003A1-2A1B1
FR5	—	12.5	5	17.5	SPX004A1-2A1B1
	5	17.5	7-1/2	25	SPX005A1-2A1B1
	7-1/2	25	10	31	SPX007A1-2A1B1
FR6	10	31	15	48	SPX010A1-2A1B1
	15	48	20	61	SPX015A1-2A1B1
FR7	20	61	25	75	SPX020A1-2A1N1
	25	75	30	88	SPX025A1-2A1N1
	30	88	40	114	SPX030A1-2A1N1
FR8	40	114	50	140	SPX040A1-2A1N1
	50	140	60	170	SPX050A1-2A1N1
	60	170	75	205	SPX060A1-2A1N1
FR9	75	205	100	261	SPX075A1-2A1N1
	100	261	—	—	SPX100A1-2A1N1

208–240 V, NEMA Type 12/IP54 Drives

Frame Size	hp (I _H)	Current (I _H)	hp (I _L)	Current (I _L)	Catalog Number
FR4	3/4	3.7	1	4.8	SPXF07A2-2A1B1
	1	4.8	1-1/2	6.6	SPX001A2-2A1B1
	1-1/2	6.6	2	7.8	SPXF15A2-2A1B1
	2	7.8	3	11	SPX002A2-2A1B1
	3	11	—	12.5	SPX003A2-2A1B1
FR5	—	12.5	5	17.5	SPX004A2-2A1B1
	5	17.5	7-1/2	25	SPX005A2-2A1B1
	7-1/2	25	10	31	SPX007A2-2A1B1
FR6	10	31	15	48	SPX010A2-2A1B1
	15	48	20	61	SPX015A2-2A1B1
FR7	20	61	25	75	SPX020A2-2A1N1
	25	75	30	88	SPX025A2-2A1N1
	30	88	40	114	SPX030A2-2A1N1
FR8	40	114	50	140	SPX040A2-2A1N1
	50	140	60	170	SPX050A2-2A1N1
	60	170	75	205	SPX060A2-2A1N1
FR9	75	205	100	261	SPX075A2-2A1N1
	100	261	—	—	SPX100A2-2A1N1

480 V Drives

SPX Open Drives



380–500 V, NEMA Type 1/IP21 Drives

Frame Size	hp (I _H)	Current (I _H)	hp (I _L)	Current (I _L)	Catalog Number
FR4	1	2.2	1-1/2	3.3	SPX001A1-4A1B1
	1-1/2	3.3	2	4.3	SPXF15A1-4A1B1
	2	4.3	3	5.6	SPX002A1-4A1B1
	3	5.6	5	7.6	SPX003A1-4A1B1
	5	7.6	—	9	SPX005A1-4A1B1
	—	9	7-1/2	12	SPX006A1-4A1B1
FR5	7-1/2	12	10	16	SPX007A1-4A1B1
	10	16	15	23	SPX010A1-4A1B1
	15	23	20	31	SPX015A1-4A1B1
FR6	20	31	25	38	SPX020A1-4A1B1
	25	38	30	46	SPX025A1-4A1B1
	30	46	40	61	SPX030A1-4A1B1
FR7	40	61	50	72	SPX040A1-4A1N1
	50	72	60	87	SPX050A1-4A1N1
	60	87	75	105	SPX060A1-4A1N1
FR8	75	105	100	140	SPX075A1-4A1N1
	100	140	125	170	SPX100A1-4A1N1
	125	170	150	205	SPX125A1-4A1N1
FR9	150	205	200	261	SPX150A1-4A1N1
	200	245	250	300	SPX200A1-4A1N1

380–500 V, NEMA Type 1/IP21 Freestanding Drives

Frame Size	hp (I _H)	Current (I _H)	hp (I _L)	Current (I _L)	Catalog Number
FR10	250	330	300	385	SPX250A1-4A4N1
	300	385	350	460	SPX300A1-4A4N1
	350	460	400	520	SPX350A1-4A4N1
FR11	400	520	500	590	SPX400A1-4A4N1
	500	590	550	650	SPX500A1-4A4N1
	550	650	600	730	SPX550A1-4A4N1

Note

Integrated fuses as standard. Limited option selection available; 115 V transformer (KB), light kit (L1), HOA (K4), speed potentiometer w/HOA (K2), Disconnect switch (P2). See Freestanding Option selection on **Page V6-T2-272**.

2.10

Adjustable Frequency Drives

SPX Drives

SPX Open Drives

2



380–500 V, NEMA Type 12/IP54 Drives

Frame Size	hp (I _H)	Current (I _H)	hp (I _L)	Current (I _L)	Catalog Number
FR4	1	2.2	1-1/2	3.3	SPX001A2-4A1B1
	1-1/2	3.3	2	4.3	SPXF15A2-4A1B1
	2	4.3	3	5.6	SPX002A2-4A1B1
	3	5.6	5	7.6	SPX003A2-4A1B1
	5	7.6	—	9	SPX005A2-4A1B1
	—	9	7-1/2	12	SPX006A2-4A1B1
FR5	7-1/2	12	10	16	SPX007A2-4A1B1
	10	16	15	23	SPX010A2-4A1B1
	15	23	20	31	SPX015A2-4A1B1
FR6	20	31	25	38	SPX020A2-4A1B1
	25	38	30	46	SPX025A2-4A1B1
	30	46	40	61	SPX030A2-4A1B1
FR7	40	61	50	72	SPX040A2-4A1N1
	50	72	60	87	SPX050A2-4A1N1
	60	87	75	105	SPX060A2-4A1N1
FR8	75	105	100	140	SPX075A2-4A2N1
	100	140	125	170	SPX100A2-4A1N1
	125	170	150	205	SPX125A2-4A1N1
FR9	150	205	200	261	SPX150A2-4A1N1
	200	245	250	300	SPX200A2-4A1N1

380–500 V, NEMA Type 12/IP54 Freestanding Drives

Frame Size	hp (I _H)	Current (I _H)	hp (I _L)	Current (I _L)	Catalog Number
FR10	250	330	300	385	SPX250A2-4A4N1
	300	385	350	460	SPX300A2-4A4N1
	350	460	400	520	SPX350A2-4A4N1

380–500 V, Open Chassis Drives

Frame Size	hp (I _H)	Current (I _H)	hp (I _L)	Current (I _L)	Catalog Number
FR10	250	330	300	385	SPX250A0-4A2N1
	300	385	—	460	SPX300A0-4A2N1
	350	460	400	520	SPX350A0-4A2N1
FR11	400	520	500	590	SPX400A0-4A2N1
	500	590	—	650	SPX500A0-4A2N1
	—	650	600	730	SPX550A0-4A2N1
FR12	600	730	—	820	SPX600A0-4A2N1
	—	820	700	920	SPX650A0-4A2N1
	700	920	800	1030	SPX700A0-4A2N1
FR13	800	1030	900	1150	SPX800A0-4A2N1
	900	1150	1000	1300	SPX900A0-4A2N1
	1000	1300	1200	1450	SPXH10A0-4A2N1
FR14	1200	1600	1500	1770	SPXH12A0-4A2N1
	1600	1940	1800	2150	SPXH16A0-4A2N1

Notes

Integrated fuses as standard. Limited option selection available; 115 V transformer (KB), light kit (L1), HOA (K4), speed potentiometer w/HOA (K2), disconnect switch (P2). See Freestanding Option selection on [Page V6-T2-272](#).

① FR10–FR14 includes 3% line reactor, but it is not integral to chassis.

575 V Drives

SPX Open Drives



525–690 V, NEMA Type 1/IP21 Drives

Frame Size	hp (I _H)	Current (I _H)	hp (I _L)	Current (I _L)	Catalog Number
FR6	2	3.3	3	4.5	SPX002A1-5A4N1
	3	4.5	—	5.5	SPX003A1-5A4N1
	—	5.5	5	7.5	SPX004A1-5A4N1
	5	7.5	7-1/2	10	SPX005A1-5A4N1
	7-1/2	10	10	13.5	SPX007A1-5A4N1
	10	13.5	15	18	SPX010A1-5A4N1
	15	18	20	22	SPX015A1-5A4N1
	20	22	25	27	SPX020A1-5A4N1
	25	27	30	34	SPX025A1-5A4N1
FR7	30	34	40	41	SPX030A1-5A4N1
	40	41	50	52	SPX040A1-5A4N1
FR8	50	52	60	62	SPX050A1-5A4N1
	60	62	75	80	SPX060A1-5A4N1
	75	80	100	100	SPX075A1-5A4N1
FR9	100	100	125	125	SPX100A1-5A4N1
	125	125	150	144	SPX125A1-5A4N1
	150	144	—	170	SPX150A1-5A4N1
	—	170	200	208	SPX175A1-5A4N1

525–690 V, NEMA Type 1/IP21 Freestanding Drives

Frame Size	hp (I _H)	Current (I _H)	hp (I _L)	Current (I _L)	Catalog Number
FR10	200	208	250	261	SPX200A1-5A4N1
	250	261	300	325	SPX250A1-5A4N1
	300	325	400	385	SPX300A1-5A4N1
FR11	400	385	450	460	SPX400A1-5A4N1
	450	460	500	502	SPX450A1-5A4N1
	500	502	550	590	SPX500A1-5A4N1

Note

Integrated fuses as standard. Limited option selection available; 115 V transformer (KB), light kit (L1), HOA (K4), speed potentiometer w/HOA (K2), disconnect switch (P2). See Freestanding Option selection on **Page V6-T2-272**.

2.10

Adjustable Frequency Drives

SPX Drives

SPX Open Drives

2



525–690 V, NEMA Type 12/IP54 Drives

Frame Size	hp (I _H)	Current (I _H)	hp (I _L)	Current (I _L)	Catalog Number
FR6	2	3.3	3	4.5	SPX002A2-5A4N1
	3	4.5	—	5.5	SPX003A2-5A4N1
	—	5.5	5	7.5	SPX004A2-5A4N1
	5	7.5	7-1/2	10	SPX005A2-5A4N1
	7-1/2	10	10	13.5	SPX007A2-5A4N1
	10	13.5	15	18	SPX010A2-5A4N1
	15	18	20	22	SPX015A2-5A4N1
	20	22	25	27	SPX020A2-5A4N1
FR7	25	27	30	34	SPX025A2-5A4N1
	30	34	40	41	SPX030A2-5A4N1
	40	41	50	52	SPX040A2-5A4N1
FR8	50	52	60	62	SPX050A2-5A4N1
	60	62	75	80	SPX060A2-5A4N1
	75	80	100	100	SPX075A2-5A4N1
FR9	100	100	125	125	SPX100A2-5A4N1
	125	125	150	144	SPX125A2-5A4N1
	150	144	—	170	SPX150A2-5A4N1
	—	170	200	208	SPX175A2-5A4N1

525–690 V, NEMA Type 12/IP54 Freestanding Drives

Frame Size	hp (I _H)	Current (I _H)	hp (I _L)	Current (I _L)	Catalog Number
FR10	200	208	250	261	SPX200A2-5A4N1
	250	261	300	325	SPX250A2-5A4N1
	300	325	400	385	SPX300A2-5A4N1

525–690 V, Open Chassis Drives

Frame Size	hp (I _H)	Current (I _H)	hp (I _L)	Current (I _L)	Catalog Number
FR10	200	208	250	261	SPX200A0-5A2N1
	250	261	300	325	SPX250A0-5A2N1
	300	325	400	385	SPX300A0-5A2N1
FR11	400	385	450	460	SPX400A0-5A2N1
	450	460	500	502	SPX450A0-5A2N1
	500	502	—	590	SPX500A0-5A2N1
FR12	—	590	600	650	SPX550A0-5A2N1
	600	650	700	750	SPX600A0-5A2N1
	700	750	800	820	SPX700A0-5A2N1
FR13	800	820	900	920	SPX800A0-5A2N1
	900	920	1000	1030	SPX900A0-5A2N1
	1000	1030	1250	1180	SPXH10A0-5A2N1
FR14	1350	1300	1500	1500	SPXH13A0-5A2N1
	1500	1500	2000	1900	SPXH15A0-5A2N1
	2000	1900	2300	2250	SPXH20A0-5A2N1

Notes

Integrated fuses as standard. Limited option selection available; 115 V transformer (KB), light kit (L1), HOA (K4), speed potentiometer w/HOA (K2), disconnect switch (P2). See Freestanding Option selection on [Page V6-T2-272](#).

⊙ FR10–FR14 includes 3% line reactor, but it is not integral to chassis.

Accessories

Demo Drive and Power Supply

Demo Drive and Power Supply

Description	Catalog Number
9000X demo drive	9000XDEMO

9000X Series—SVX/SPX Conversion and Flange Kits

The Type 12/IP54 option kit is used to convert a Type 1/IP21 to a Type 12/IP54 drive. The kit includes:

NEMA Type 12 / IP54 Conversion Kits

Frame Size	Catalog Number
Frame 4 Type 12/IP54 kit	OPTN12FR4
Frame 5 Type 12/IP54 kit	OPTN12FR5
Frame 6 Type 12/IP54 kit	OPTN12FR6

Flange Kits

The flange kit is used when the power section heat sink is mounted through the back panel of an enclosure. The kit includes hardware and supporting steel plates.

NEMA Type 12 / IP54 Conversion Kits

Kit

Frame Size	Catalog Number
Frame 4 flange kit Type 12/IP54	OPTTHR4
Frame 5 flange kit Type 12/IP54	OPTTHR5
Frame 6 flange kit Type 12/IP54	OPTTHR6
Frame 7 flange kit Type 12/IP54	OPTTHR7
Frame 8 flange kit Type 12/IP54	OPTTHR8
Frame 9 flange kit Type 12/IP54	OPTTHR9

2.10

Adjustable Frequency Drives

SPX Drives

Options

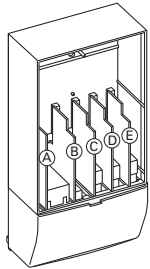
9000X Series Option Board Kits

2

The 9000X Series drives can accommodate a wide selection of expander and adapter option boards to customize the drive for your application needs. The drive's control unit is designed to accept a total of five option boards.

The 9000X Series factory installed standard board configuration includes an A9 I/O board and an A2 relay output board, which are installed in slots A and B.

Option Boards



Option Board Kits

Option Kit Description ^①	Allowed Slot Locations ^②	Field Installed Catalog Number	Factory Installed Option Designator	SVX Ready Programs						
				Basic	Local/Remote	Standard	MSS	PID	Multi-P.	PFC
Standard I/O Cards										
6 DI, 1 DO, 2 AI, 1 AO, 1 +10 Vdc ref, 2 ext +24 Vdc/EXT +24 Vdc	A	OPTA9	—	■	■	■	■	■	■	■
2 RO (NC-NO)	B	OPTA2	—	■	■	■	■	■	■	■
Extended I/O Cards										
2 RO, therm	B	OPTA3	A3	—	■	■	■	■	■	■
Encoder low volt +5 V/15 V/24 V	C	OPTA4	A4	—	■	■	■	■	■	■
Encoder high volt +15 V/24 V	C	OPTA5	A5	—	■	■	■	■	■	■
Double encoder—SPX only	C	OPTA7	A7	■	■	■	■	■	■	■
6 DI, 1 DO, 2 AI, 1 AO	A	OPTA8	A8	—	■	■	■	■	■	■
6 DI, 1 DO, 2 AI, 1 AO, 1 +10 Vdc ref, 2 ext +24 Vdc/EXT +24 Vdc	A	OPTA1	—	■	■	■	■	■	■	■
3 DI (encoder 10–24 V), out +15 V/+24 V, 2 DO (pulse+direction)—SPX only	C	OPTAE	AE	■	■	■	■	■	■	■
6 DI, 1 DO, 2 AI, 1 AO, 1 +10 Vdc ref, 2 ext +24 Vdc/EXT +24 Vdc	A	OPTAFA1	—	■	■	■	■	■	■	■
6 DI, 1 ext +24 Vdc/EXT +24 Vdc	B, C, D , E	OPTB1	B1	—	—	—	—	—	■	■
1 RO (NC-NO), 1 RO (NO), 1 therm	B, C, D , E	OPTB2	B2	—	—	—	—	—	■	■
1 AI (mA isolated), 2 AO (mA isolated), 1 ext +24 Vdc/EXT +24 Vdc	B, C, D , E	OPTB4	B4	—	■	■	■	■	■	■
3 RO (NO)	B, C, D , E	OPTB5	B5	—	—	—	—	—	■	■
1 ext +24 Vdc/EXT +24 Vdc, 3 Pt100	B, C, D , E	OPTB8	B8	—	—	—	—	—	—	—
1 RO (NO), 5 DI 42–240 Vac input	B, C, D , E	OPTB9	B9	—	—	—	—	—	■	■
SPI, absolute encoder	C	OPTBB	BB	—	—	—	—	—	—	—
Communication Cards										
Modbus RTU	D, E	OPTC2	C2	■	■	■	■	■	■	■
Modbus RTU (D9 connector)	D, E	OPTC8	C8	■	■	■	■	■	■	■
PROFIBUS DP	D, E	OPTC3	C3	■	■	■	■	■	■	■
PROFIBUS DP (D9 connector)	D, E	OPTC5	C5	■	■	■	■	■	■	■
Johnson Controls N2	D, E	OPTC2	CA	—	—	—	—	—	—	—
BACnet MSTP	D, E	OPTCJ	CJ	■	■	■	■	■	■	■
LonWorks	D, E	OPTC4	C4	■	■	■	■	■	■	■
CANopen (slave)	D, E	OPTC6	C6	■	■	■	■	■	■	■
DeviceNet	D, E	OPTC7	C7	■	■	■	■	■	■	■
Modbus TCP	D, E	OPTCI	CI	■	■	■	■	■	■	■
EtherNet/IP	D, E	OPTCQ	CQ	■	■	■	■	■	■	■
PROFINET, Modbus TCP, EtherNet/IP (dual-port) ^④	D, E	OPTC9	E9	■	■	■	■	■	■	■
EtherCAT (dual-port) ^④	D, E	OPTCQ	EC	■	■	■	■	■	■	■
SPX adapter	D, E	OPTD1	D1	■	■	■	■	■	■	■
SPX adapter	D, E	OPTD2	D2	■	■	■	■	■	■	■
RS-232 adapter	D, E	OPTD3	D3	■	■	■	■	■	■	■

Notes

- ① AI = Analog Input; AO = Analog Output, DI = Digital Input, DO = Digital Output, RO = Relay Output
- ② Option card must be installed in one of the slots listed for that card. Slot indicated in bold is the preferred location.
- ③ OPTC2 is a multi-protocol option card.

Modbus RTU Network Communications

The Modbus Network Card OPTC2 is used for connecting the SVX Drive as a slave on a Modbus network. The interface is connected by a 9-pin DSUB connector (female) and the baud rate ranges from 300 to 19,200 baud. Other communication parameters include an address range from 1 to 247; a parity of None, Odd or Even; and the stop bit is 1.

PROFIBUS Network Communications

The PROFIBUS Network Card OPTC3 is used for connecting the SVX Drive as a slave on a PROFIBUS-DP network. The interface is connected by a 9-pin DSUB connector (female). The baud rates range from 9.6 Kbaud to 12 Mbaud, and the addresses range from 1 to 127.

LonWorks Network Communications

The LonWorks Network Card OPTC4 is used for connecting the SVX Drive on a LonWorks network. This interface uses Standard Network Variable Types (SNVT) as data types. The channel connection is achieved using a FTT-10 A Free Topology transceiver via a single twisted transfer cable. The communication speed with LonWorks is 78 kBits/s.

CANopen (Slave) Communications

The CANopen (Slave) Network Card OPTC6 is used for connecting the SVX Drive to a host system. According to ISO11898 standard cables to be chosen for CANbus should have a nominal impedance of 120 ohms, and specific line delay of nominal 5 nS/m. 120 ohms line termination resistors required for installation.

DeviceNet Network Communications

The DeviceNet Network Card OPTC7 is used for connecting the SVX Drive on a DeviceNet Network. It includes a 5.08 mm pluggable connector. Transfer method is via CAN using a two-wire twisted shielded cable with two-wire bus power cable and drain. The baud rates used for communication include 125 Kbaud, 250 Kbaud and 500 Kbaud.

Johnson Controls Metasys N2 Network Communications

The OPTC2 fieldbus board provides communication between the SVX Drive and a Johnson Controls Metasys™ N2 network. With this connection, the drive can be controlled, monitored and programmed from the Metasys system. The N2 fieldbus is available as a factory installed option and as a field installable kit.

Modbus/TCP Network Communications

The Modbus/TCP Network Card OPTCI is used for connecting the SVX Drive to Ethernet networks utilizing Modbus protocol. It includes an RJ-45 pluggable connector. This interface provides a selection of standard and custom register values to communicate drive parameters. The board supports 10 Mbps and 100 Mbps communication speeds. The IP address of the board is configurable over Ethernet using a supplied software tool.

BACnet Network Communications

The BACnet Network Card OPTCJ is used for connecting the SVX Drive to BACnet networks. It includes a 5.08 mm pluggable connector. Data transfer is Master-Slave/Token Passing (MS/TP) RS-485. This interface uses a collection of 30 Binary Value Objects (BVOs) and 35 Analog Value Objects (AVOs) to communicate drive parameters. The card supports 9.6, 19.2 and 38.4 Kbaud communication speeds and supports network addresses 1–127.

EtherNet/IP Network Communications

The OPTCQ is used for connecting the SVX Drive to Ethernet/Industrial Protocol networks. It includes an RJ-45 pluggable connector. The interface uses CIP objects to communicate drive parameters (CIP is "Common Industrial Protocol", the same protocol used by DeviceNet). The board supports 10 Mbps and 100 Mbps communication speeds. The IP address of the board is configurable by Static, BOOTP and DHCP methods.

2.10

Adjustable Frequency Drives

SPX Drives

Control Panel Options

Factory Options

2

Description	Factory Installed Option Code	Field Installed NEMA Type 1/IP21 Catalog Number
Local/Remote Keypad SVX Control Panel —This option is standard on all drives and consists of an RS-232 connection, backlit alphanumeric LCD display with nine indicators for the RUN status and two indicators for the control source. The nine pushbuttons on the panel are used for panel programming and monitoring of all SVX parameters. The panel is detachable and isolated from the input line potential. Include LOC/REM key to choose control location.	A	KEYPAD-LOC/REM
Keypad Remote Mounting Kit —This option is used to remote mount the SVX keypad. The footprint is compatible to the SV9000 remote mount kit. Includes 10 ft cable, keypad holder and mounting hardware.	—	OPTRMT-KIT-9000X
Keypad Blank —9000X Series select keypad for use with special and custom applications.	—	KEYPAD-BLANK

Miscellaneous Options

Description	Catalog Number
9000XDrive —A PC-based tool for controlling and monitoring of the SVX. Features include: loading parameters that can be saved to a file or printed, setting references, starting and stopping the motor, monitoring signals in graphical or text form, and real-time display. To avoid damage to the drive or computer, SVDrivecable must be used.	9000XDRIVE
SVDrivecable —6 ft (1.8 m) RS-232 cable (22 gauge) with a 7-pin connector on each end. Should be used in conjunction with the 9000XDrive option to avoid damage to the SVX or computer. The same cable can be used for downloading specialized applications to the drive.	SVDRIVECABLE
External Dynamic Braking Resistors —Used with the dynamic braking chopper circuit to absorb motor regenerative energy for stopping the load and to dissipate the energy flowing back into the drive. Resistors are separated into standard duty and heavy-duty. Standard duty is defined as 20% duty or less with 100% braking torque, while heavy-duty is defined as 50% duty or less with 150% braking torque.	See Page V6-T2-269

SPX Drive Options

Brake Chopper Options

The brake chopper circuit option is used for applications that require dynamic braking. Dynamic braking resistors are not included with drive purchase. Consult the factory for additional dynamic braking resistor selections that are supplied separately. A list of common resistors are listed below and are complete indoor assemblies, include a pre-wired terminal block and a thermal switch, and are not UL Listed.

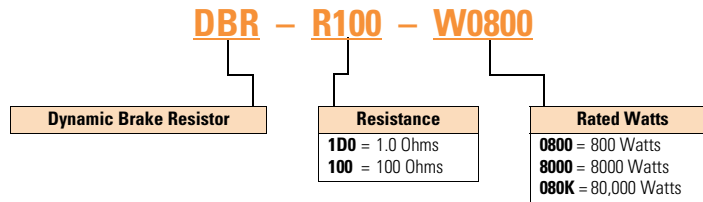
Duty Cycle

The duty cycle rating is based on a 60-second period. For example, the 20% duty cycle resistor can carry 100% current for 12 seconds out of every 60 seconds, while the 50% duty cycle resistor can carry 150% current for 30 seconds out of every 60 seconds.

Torque

If the braking torque required is less than 15%, dynamic braking is not required because the regenerated energy will be dissipated in the drive and motor losses.

Dynamic Brake Resistor—Catalog Number Selection



230 V Brake Resistors

Drive hp (CT/I _H)	Minimum Ohms	20% Duty Cycle, 100% Torque		50% Duty Cycle, 150% Torque	
		Catalog Number	Dimensions (Inches)	Catalog Number	Dimensions (Inches)
0.75	30.0	DBR-R100-W0400	12W x 5D x 5H	DBR-R100-W0800	12W x 7D x 5H
1	30.0	DBR-R100-W0400	12W x 5D x 5H	DBR-R100-W0800	12W x 7D x 5H
1.5	30.0	DBR-R100-W0400	12W x 5D x 5H	DBR-R036-W1200	12W x 10D x 5H
2	30.0	DBR-R100-W0400	12W x 5D x 5H	DBR-R036-W1200	12W x 10D x 5H
3	30.0	DBR-R036-W0800	12W x 7D x 5H	DBR-R036-W2000	12W x 16D x 5H
4	30.0	DBR-R036-W0800	12W x 7D x 5H	DBR-R030-W2400	19W x 10D x 5H
5	30.0	DBR-R036-W0800	12W x 7D x 5H	DBR-R030-W2800	19W x 13D x 5H
7.5	20.0	DBR-R020-W1200	12W x 10D x 5H	DBR-R020-W4800	26.5W x 13D x 5H
10	10.0	DBR-R015-W1600	12W x 13D x 5H	DBR-R112-W6000	26.5W x 13D x 5H
15	10.0	DBR-R012-W2400	19W x 10D x 5H	DBR-R010-W9000	28W x 10D x 10H
20	3.3	DBR-R9D3-W3200	19W x 10D x 5H	DBR-R3D4-W012K	28W x 10D x 10H
25	3.3	DBR-R5D5-W4000	26.5W x 10D x 5H	DBR-R5D1-W015K	28W x 16D x 10H
30	3.3	DBR-R4D8-W4800	26.5W x 10D x 5H	DBR-R4D1-W020K	28W x 16D x 10H
40	1.4	DBR-R004-W6000	26.5W x 13D x 5H	DBR-R3D4-W025K	30W x 18D x 16H
50	1.4	DBR-R3D1-W7500	26.5W x 16D x 5H	DBR-R2D1-W030K	30W x 18D x 24H
60	1.4	DBR-R2D8-W9000	26.5W x 16D x 5H	DBR-R002-W036K	30W x 18D x 24H
75	1.4	DBR-R2D6-W012K	28W x 10D x 10H	DBR-R1D5-W045K	30W x 18D x 32H
100	1.4	DBR-R002-W015K	28W x 16D x 10H	DBR-R1D4-W060K	30W x 18D x 40H

2.10

Adjustable Frequency Drives

SPX Drives

2

480 V Brake Resistors

Drive hp (CT/l _H)	Minimum Ohms	20% Duty Cycle, 100% Torque		50% Duty Cycle, 150% Torque	
		Catalog Number	Dimensions (Inches)	Catalog Number	Dimensions (Inches)
1	63.0	DBR-R100-W0400	12W x 5D x 5H	DBR-R100-W0800	12W x 7D x 5H
1.5	63.0	DBR-R100-W0400	12W x 5D x 5H	DBR-R100-W1200	12W x 10D x 5H
2	63.0	DBR-R100-W0400	12W x 5D x 5H	DBR-R100-W1200	12W x 10D x 5H
3	63.0	DBR-R100-W0800	12W x 7D x 5H	DBR-R100-W2000	12W x 16D x 5H
5	63.0	DBR-R100-W0800	12W x 7D x 5H	DBR-R100-W2800	19W x 13D x 5H
6	63.0	DBR-R100-W1200	12W x 10D x 5H	DBR-R070-W4000	19W x 16D x 5H
7.5	63.0	DBR-R100-W1200	12W x 10D x 5H	DBR-R063-W4800	26.5W x 13D x 5H
10	63.0	DBR-R063-W1600	12W x 13D x 5H	DBR-R063-W6000	26.5W x 16D x 5H
15	42.0	DBR-R042-W2400	19W x 10D x 5H	DBR-R042-W9000	28W x 10D x 10H
20	21.0	DBR-R030-W3200	19W x 13D x 5H	DBR-R023-W012K	28W x 13D x 10H
25	21.0	DBR-R030-W4000	19W x 16D x 5H	DBR-R021-W015K	28W x 13D x 10H
30	14.0	DBR-R020-W4800	26.5W x 13D x 5H	DBR-R014-W020K	30W x 18D x 24H
40	6.5	DBR-R112-W6000	26.5W x 13D x 5H	DBR-R007-W025K	30W x 18D x 16H
50	6.5	DBR-R013-W7500	26.5W x 16D x 5H	DBR-R8D5-W030K	30W x 18D x 24H
60	6.5	DBR-R010-W9000	28W x 10D x 10H	DBR-R7D3-W036K	30W x 18D x 24H
75	3.3	DBR-R009-W012K	28W x 13D x 10H	DBR-R3D3-W045K	30W x 18D x 32H
100	3.3	DBR-R5D1-W015K	28W x 16D x 10H	DBR-R004-W060K	30W x 18D x 40H
125	3.3	DBR-R4D1-W020K	28W x 16D x 10H	DBR-R004-W070K	30W x 18D x 48H
150	3.3	DBR-R3D4-W025K	30W x 18D x 16H	DBR-R3D5-W085K	30W x 18D x 56H
200	3.3	DBR-R3D3-W030K	30W x 18D x 24H	DBR-R3D3-W110K	30W x 18D x 72H
250	1.4	DBR-R2D5-W036K	30W x 18D x 24H	Ⓢ	—
300	1.4	DBR-R1D5-W045K	30W x 18D x 32H	Ⓢ	—
350	1.4	DBR-R1D4-W060K	30W x 18D x 40H	Ⓢ	—
400	0.9	DBR-R1D4-W060K	30W x 18D x 40H	Ⓢ	—
500	0.9	DBR-R0D9-W080K	30W x 18D x 48H	Ⓢ	—
550	0.9	DBR-R001-W085K	30W x 18D x 56H	Ⓢ	—

Note

Ⓢ Consult factory.

575 V Brake Resistors

Drive hp (CT/l _H)	Minimum Ohms	20% Duty Cycle, 100% Torque		50% Duty Cycle, 150% Torque	
		Catalog Number	Dimensions (Inches)	Catalog Number	Dimensions (Inches)
2	100.0	DBR-R100-W0400	12W x 5D x 5H	DBR-R100-W1200	12W x 10D x 5H
3	100.0	DBR-R100-W0800	12W x 7D x 5H	DBR-R100-W2000	12W x 16D x 5H
4	100.0	DBR-R100-W0800	12W x 7D x 5H	DBR-R100-W2400	19W x 10D x 5H
5	100.0	DBR-R100-W0800	12W x 7D x 5H	DBR-R100-W2800	19W x 13D x 5H
7.5	100.0	DBR-R100-W1200	12W x 10D x 5H	DBR-R100-W4800	26.5W x 13D x 5H
10	30.0	DBR-R063-W1600	12W x 13D x 5H	DBR-R063-W6000	26.5W x 16D x 5H
15	30.0	DBR-R042-W2400	19W x 10D x 5H	DBR-R042-W9000	28W x 10D x 10H
20	30.0	DBR-R030-W3200	19W x 13D x 5H	DBR-R030-W012K	28W x 13D x 10H
25	30.0	DBR-R030-W4000	19W x 16D x 5H	DBR-R030-W015K	28W x 16D x 10H
30	18.0	DBR-R020-W4800	26.5W x 13D x 5H	DBR-R020-W020K	30W x 18D x 16H
40	18.0	DBR-R030-W6000	26.5W x 16D x 5H	DBR-R184-W025K	30W x 18D x 16H
50	9.0	DBR-R013-W7500	26.5W x 16D x 5H	DBR-R012-W030K	30W x 18D x 24H
60	9.0	DBR-R010-W9000	28W x 10D x 10H	DBR-R010-W036K	30W x 18D x 24H
75	9.0	DBR-R009-W012K	28W x 13D x 10H	DBR-R009-W045K	30W x 18D x 24H
100	7.0	DBR-R013-W015K	28W x 16D x 10H	DBR-R8D4-W060K	30W x 18D x 40H
125	7.0	DBR-R8D2-W020K	30W x 18D x 10H	DBR-R007-W070K	30W x 18D x 40H
150	7.0	DBR-R007-W025K	30W x 18D x 16H	DBR-R006-W085K	30W x 18D x 56H
175	7.0	DBR-R007-W030K	30W x 18D x 24H	DBR-R007-W100K	30W x 18D x 72H
200	2.5	DBR-R3D3-W030K	30W x 18D x 24H	DBR-R2D6-W110K	30W x 18D x 64H
250	2.5	DBR-R2D5-W036K	30W x 18D x 24H	DBR-R003-W140K	30W x 18D x 72H
300	2.5	DBR-R3D3-W045K	30W x 18D x 32H	⊕	—
400	1.7	DBR-R002-W060K	30W x 18D x 48H	⊕	—
450	1.7	DBR-R1D8-W070K	30W x 18D x 48H	⊕	—
500	1.7	DBR-R002-W080K	30W x 18D x 56H	⊕	—

Note

⊕ Consult factory.

2.10

Adjustable Frequency Drives

SPX Drives

Control/Communication Options

Available Control/Communications Options

2

Option	Description	Option Type
K2	Door-Mounted Speed Potentiometer with HOA Selector Switch —Provides the SPX with the ability to start/stop and adjust the speed reference from door-mounted control devices or remotely from customer supplied inputs. In HAND position, the drive will start and the speed is controlled by the door-mounted speed potentiometer. The drive will be disabled in the OFF position. When AUTO is selected, the drive run and speed control commands are via user-supplied dry contact and 4–20 mA signal.	Control
K4	HAND/OFF/AUTO Switch for Non-Bypass Configurations —Provides a three-position selector switch that allows the user to select either a HAND or AUTO mode of operation. HAND mode is defaulted to keypad operation, and AUTO mode is defaulted to control from an external terminal source. These modes of operation can be configured via programming to allow for alternate combinations of start and speed sources. Start and speed sources include keypad, I/O and fieldbus.	Control
KB	115 V Control Transformer, 550 VA —Provides a fused control power transformer with additional 550 VA at 115 V for customer use.	Control
L1	Power On and Fault Pilot Lights —Provide a white power on light that indicates power to the enclosed cabinet and a red fault light that indicates a drive fault has occurred.	Light
P2	Disconnect Switch —Disconnect switch option is applicable only with NEMA Type 1/IP21 and NEMA Type 12/IP54 Freestanding drives. Allows a convenient means of disconnecting the SPX from the line, and the operating mechanism can be padlocked in the OFF position. This is factory-mounted in the enclosure.	Input

SPX Freestanding Options

480 V and 690 V Control Options, 200–550 hp ^①

Description	Catalog Number Suffix
Door-mounted speed potentiometer with HOA selector switch	K2
HAND/OFF/AUTO switch (22 mm)	K4
115 volt control transformer 550 VA	KB

480 V and 690 V Light Options, 200–550 hp ^①

Description	Catalog Number Suffix
Power on/fault pilot lights	L1

Input Options, 200–550 hp ^①

Description	Catalog Number Suffix
Disconnect switch	P2 ^②

Notes

^① Consult factory for adder information.

^② Applicable with FR10 and FR11 freestanding designs only.

Replacement Parts

FR4 Spare Parts

Category	Description	Quantity/ Drive	230 V Catalog Number	480 V Catalog Number	575 V Catalog Number
Control fan	NEMA Type 12 control fan ^①	1	PP01086	PP01086	—
Control module ^②	SPX control module	1	CPBS0000000000	CPBS0000000000	—
	Standard slot A I/O card	1	OPTA9	OPTA9	—
	Standard slot B I/O card	1	OPTA2	OPTA2	—
Keypad ^②	SVX/SPX keypad	1	KEYPAD-LOC/REM	KEYPAD-LOC/REM	—
Main fan ^②	DC fan (main)	1	PP01060	PP01060	—
Other	Mounting kit, fixing kit	1	FR00040	FR00040	—
	Mounting kit, fixing kit, N12 ^①	1	FR00079	FR00079	—
	Control cover, plastic, N1	1	FR00006	FR00006	—

FR5 Spare Parts

Category	Description	Quantity/ Drive	230 V Catalog Number	480 V Catalog Number	575 V Catalog Number
Control fan	NEMA Type 12 control fan ^①	1	PP01088	PP01088	—
Control module ^②	SPX control module	1	CPBS0000000000	CPBS0000000000	—
	Standard slot A I/O card	1	OPTA9	OPTA9	—
	Standard slot B I/O card	1	OPTA2	OPTA2	—
Keypad ^②	SVX/SPX keypad	1	KEYPAD-LOC/REM	KEYPAD-LOC/REM	—
Main fan ^②	DC fan (main)	1	PP01061	PP01061	—
Other	Mounting kit, fixing kit	1	FR00050	FR00050	—
	Mounting kit, fixing kit, N12 ^①	1	FR00081	FR00081	—
	Control cover, plastic, N1	1	FR05011	FR05011	—

FR6 Spare Parts

Category	Description	Quantity/ Drive	230 V Catalog Number	480 V Catalog Number	575 V Catalog Number
Control fan	NEMA Type 12 control fan ^①	1	PP01049	PP01049	—
Control module ^②	SPX control module	1	CPBS0000000000	CPBS0000000000	CPBS0000000000
	Standard slot A I/O card	1	OPTA9	OPTA9	OPTA9
	Standard slot B I/O card	1	OPTA2	OPTA2	OPTA2
Keypad ^②	SVX/SPX keypad	1	KEYPAD-LOC/REM	KEYPAD-LOC/REM	KEYPAD-LOC/REM
Main fan ^②	DC fan (main)	1	PP01062	PP01062	—
Other	Mounting kit, fixing kit	1	FR00060	FR00060	FR00060
	Mounting kit, fixing kit, N12 ^①	1	FR00082	FR00082	FR00082
	Control cover, plastic, N1	1	FR06011	FR06011	FR06011

FR7 Spare Parts

Category	Description	Quantity/ Drive	230 V Catalog Number	480 V Catalog Number	575 V Catalog Number
Control fan	NEMA Type 12 control fan ^①	1	PP01049	PP01049	PP01049
Control module ^②	SPX control module	1	CPBS0000000000	CPBS0000000000	CPBS0000000000
	Standard slot A I/O card	1	OPTA9	OPTA9	OPTA9
	Standard slot B I/O card	1	OPTA2	OPTA2	OPTA2
Keypad ^②	SVX/SPX keypad	1	KEYPAD-LOC/REM	KEYPAD-LOC/REM	KEYPAD-LOC/REM
Main fan ^②	DC fan (main)	1	PP01063	PP01063	PP01063
Other	Mounting kit, fixing kit	1	FR07071	FR07071	FR07071
	Mounting kit, fixing kit, N12 ^①	1	FR07072	FR07072	FR07072
	Control cover, plastic, N1	1	FR07011	FR07011	FR07011

Notes

^① Only for NEMA Type 12/IP54 Type drives.

^② Factory recommended spare parts.

2.10

Adjustable Frequency Drives

SPX Drives

2

FR8 Spare Parts

Category	Description	Quantity/ Drive	230 V Catalog Number	480 V Catalog Number	575 V Catalog Number
Control fan	NEMA Type 12 control fan ^①	1	CP01180	CP01180	CP01180
Control module ^②	SPX control module	1	CPBS0000000000	CPBS0000000000	CPBS0000000000
	Standard slot A I/O card	1	OPTA9	OPTA9	OPTA9
	Standard slot B I/O card	1	OPTA2	OPTA2	OPTA2
Keypad ^②	SVX/SPX keypad	1	KEYPAD-LOC/REM	KEYPAD-LOC/REM	KEYPAD-LOC/REM
Main AC fan	Fan AC	1	PP01123	PP01123	PP01123
	Fan fuse	2	PP20202	PP20202	PP20202
	Starting cap	1	S00734	S00734	S00734
	Fan driver board AC	1	VB00599	VB00799	VB00799
	Isolation transformer (fan)	1	S0000113	S0000113	S0000113
Main DC fan ^②	DC fan	1	PP00071	PP00071	PP00071
	DC power supply	1	S01016	S01016	S01016
Other	Front cover, N12 ^①	1	FR08079	FR08079	FR08079
	Conduit plate, N12	1	FR08082	FR08082	FR08082
	Front cover, N1	1	FR08106	FR08106	FR08106

FR9 Spare Parts

Category	Description	Quantity/ Drive	230 V Catalog Number	480 V Catalog Number	575 V Catalog Number
Control fan	50 mm fan	1	PP09041	PP09041	PP09041
	80 mm fan	1	PP01068	PP01068	PP01068
Control module ^①	SPX control module	1	CPBS0000000000	CPBS0000000000	CPBS0000000000
	Standard slot A I/O card	1	OPTA9	OPTA9	OPTA9
	Standard slot B I/O card	1	OPTA2	OPTA2	OPTA2
Converter	Power module ^②	1	FR09-0261-2-ANV	FR09-0261-4-ANV	FR09-0125-5-ANV
		1	FR09-0300-2-ANV	FR09-0300-4-ANV	FR09-0144-5-ANV
		1	—	—	FR09-0170-5-ANV
	Driver board	1	S00583	S00583	S00583
	Shunt board ^②	6	—	VB00535	VB00537
		6	—	VB00536	VB00542
6		—	—	VB00543	
DC section	Balancing resistor	3	PP00052	PP00052	PP00052
	Bus capacitor	8	S00335	S00335	PP01041
	DC busbars DC-	1	FR09043	FR09043	FR09043
	DC busbars DC+	1	FR09044	FR09044	FR09044
	DC busbars connection	1	FR09045	FR09045	FR09045
	DC busbars +/- insulator	1	FR09046	FR09046	FR09046
	DC busbars -/con insulator	1	FR09047	FR09047	FR09047
Inverter	Rectifier module	1	FR09826	FR09822	FR09823
	Diode	3	CP01268	CP01268	CP01268
	Rectifier board	1	—	VB00459	VB00460
Keypad ^①	SVX/SPX keypad	1	KEYPAD-LOC/REM	KEYPAD-LOC/REM	KEYPAD-LOC/REM
Main DC fan ^①	DC fan	1	PP00072	PP00072	PP00072
	DC power supply	1	S01017	S01017	S01017
Other	Front cover power	1	FR09012	FR09012	FR09012
	Front cover connection	1	FR09013	FR09013	FR09013
	Front power conduit	1	FR09014	FR09014	FR09014

Notes

- ① Only for NEMA Type 12/IP54 Type drives.
- ② Factory recommended spare parts.
- ③ Select one part number based on the amperage rating of the drive. Please contact EatonCare at 877-ETN-CARE for assistance.

FR10 Spare Parts

Category	Description	Quantity/ Drive	230 V Catalog Number	480 V Catalog Number	575 V Catalog Number
Control	Fiber board	1	—	S00451	S00451
	ASIC board	1	—	S00457	S00457
Control fan	ASIC fan	1	—	PP01096	PP01096
Control module ^①	SPX control module	1	—	CPBS0000000000	CPBS0000000000
	Standard slot A I/O card	1	—	OPTA9	OPTA9
	Standard slot B I/O card	1	—	OPTA2	OPTA2
Converter	Power module ^②	1	—	FR10-0385-4-ANV	FR10-0261-5-ANV
		1	—	FR10-0460-4-ANV	FR10-0325-5-ANV
		1	—	FR10-0520-4-ANV	FR10-0385-5-ANV
		1	—	—	FR10-0416-5-ANV
	Driver board	1	—	S00450	S00450
	Driver adapter board	1	—	VB00330	VB00330
	Shunt board ^②	6	—	VB00497	VB00510
		6	—	VB00498	VB00511
		6	—	VB00537	VB00545
	Covers	Top cover	1	—	FR10340
Side cover		2	—	FR10341	FR10341
DC section	Balancing resistor	2	—	PP13027	PP13028
	DC busbars kit (right)	1	—	S0000005	S0000005
	Bus capacitor	12	—	S00335	S00336
Inverter	Rectifier module	1	—	FR10823	FR10823
	Charging resistor	1	—	PP00066	PP00066
	Diode	3	—	PP01177	PP01177
	Rectifier board	1	—	S00591	S00592
Keypad ^①	SVX/SPX keypad	1	—	KEYPAD-LOC/REM	KEYPAD-LOC/REM
Main DC fan ^①	DC fan	2	—	PP00072	PP00072
	DC power supply	2	—	S01017	S01017

Notes

^① Factory recommended spare parts.

^② Select one part number based on the amperage rating of the drive. Please contact EatonCare at 877-ETN-CARE for assistance.

2.10

Adjustable Frequency Drives

SPX Drives

FR11 Spare Parts

2

Category	Description	Quantity/ Drive	230 V Catalog Number	480 V Catalog Number	575 V Catalog Number
Control	Fiber board	1	—	S00451	S00451
	ASIC board	1	—	S00457	S00457
Control fan	ASIC fan	1	—	PP01096	PP01096
Control module ①	SPX control module	1	—	CPBS0000000000	CPBS0000000000
	Standard slot A I/O card	1	—	OPTA9	OPTA9
	Standard slot B I/O card	1	—	OPTA2	OPTA2
Converter	Power module ②	1	—	FR11-0590-4-ANV	FR11-0460-5-ANV
		1	—	FR11-0650-4-ANV	FR11-0502-5-ANV
		1	—	FR11-0730-4-ANV	FR11-0590-5-ANV
	Driver board	1	—	S00452	S00452
	Driver adapter board	1	—	VB00330	VB00330
	Shunt board ②	9	—	VB00513	VB00512
		9	—	VB00514	VB00546
		9	—	VB00538	VB00547
	Covers	Top cover	1	—	FR11345
DC section	Balancing resistor	3	—	PP13027	PP13027
	DC busbars kit (right)	3	—	S0000005	S0000005
	Bus capacitor	18	—	S00335	S00335
Inverter	Rectifier module	1	—	FR10823	FR10823
	Diode	3	—	PP01177	PP01177
	Rectifier board	1	—	S00591	S00591
Keypad ①	SVX/SPX keypad	1	—	KEYPAD-LOC/REM	KEYPAD-LOC/REM
Main DC fan ①	DC fan	2	—	PP00072	PP00072
	DC power supply	2	—	S01017	S01017

Notes

① Factory recommended spare parts.

② Select one part number based on the amperage rating of the drive. Please contact EatonCare at 877-ETN-CARE for assistance.

FR12 Spare Parts

Category	Description	Quantity/ Drive	230 V Catalog Number	480 V Catalog Number	575 V Catalog Number
Control	Fiber board	2	—	S00451	S00451
	ASIC board	2	—	S00457	S00457
	Star coupler	1	—	S00593	S00593
Control fan	ASIC fan	2	—	PP01096	PP01096
Control module ^①	SPX control module	1	—	CPBS0000000000	CPBS0000000000
	Standard slot A I/O card	1	—	OPTA9	OPTA9
	Standard slot B I/O card	1	—	OPTA2	OPTA2
Converter	Power module ^②	1	—	FR12-0820-4-ANV	FR12-0650-5-ANV
		1	—	FR12-0920-4-ANV	FR12-0750-5-ANV
		1	—	FR12-1030-4-ANV	FR12-0820-5-ANV
	Driver board	2	—	S00450	S00450
	Driver adapter board	2	—	VB00330	VB00330
	Shunt board	12	—	VB00498	VB00511
	Covers	Top cover	2	—	FR10340
Side cover		4	—	FR10341	FR10341
DC section	Balancing resistor	4	—	PP13027	PP13027
	DC busbars kit (right)	2	—	S0000005	S0000005
	Bus capacitor	24	—	S00335	S00336
Inverter	Rectifier module	2	—	FR10823	FR10823
	Diode	3	—	PP01177	PP01177
	Rectifier board	2	—	S00591	S00591
Keypad ^①	SVX/SPX keypad	1	—	KEYPAD-LOC/REM	KEYPAD-LOC/REM
Main DC fan ^①	DC fan	4	—	PP00072	PP00072
	DC power supply	4	—	S01017	S01017

Notes

^① Factory recommended spare parts.

^② Select one part number based on the amperage rating of the drive. Please contact EatonCare at 877-ETN-CARE for assistance.

FR13 Spare Parts

2

Category	Description	Quantity/ Drive	230 V Catalog Number	480 V Catalog Number	575 V Catalog Number
Control	ASIC board	1	—	S00457	S00457
	ASIC assembly	1	—	60S01030	60S01030
Control fan	ASIC fan	1	—	PP01096	PP01096
Control module ^①	SPX control module	1	—	CPBS0000000000	CPBS0000000000
	Standard slot A I/O card	1	—	OPTA9	OPTA9
	Standard slot B I/O card	1	—	OPTA2	OPTA2
Converter	Power module ^②	3	—	FI13-1150-4-ANV	FR13-1030-5-ANV
		3	—	FI13-1300-4-ANV	FR13-1180-5-ANV
		3	—	FI13-1450-4-ANV	FR13-920-5-ANV
	Driver board	3	—	S00454	S00454
	Driver adapter board	2	—	VB00330	VB00330
	Shunt board ^②	18	—	VB00505	VB00516
		18	—	VB00514	VB00517
18		—	VB00541	VB00547	
Covers	Top cover	3	—	FI10001	FI10001
	Side cover	3	—	FI10003	FI10003
DC section	Balancing resistor	6	—	PP13034	PP13034
	Bus capacitor	36	—	S00335	S00336
	DC busbars kit	3	—	FI13329	FI13329
Inverter	Rectifier module	2	—	FR10823	FR10823
	Diode	3	—	PP01177	PP01177
	Rectifier board	2	—	S00591	S00591
Keypad ^①	SVX/SPX keypad	1	—	KEYPAD-LOC/REM	KEYPAD-LOC/REM
Main DC fan ^①	DC fan	4	—	PP00072	PP00072
	DC power supply	4	—	S01017	S01017

Notes

^① Factory recommended spare parts.

^② Select one part number based on the amperage rating of the drive. Please contact EatonCare at 877-ETN-CARE for assistance.

FR14 Spare Parts

Category	Description	Quantity/ Drive	230 V Catalog Number	480 V Catalog Number	575 V Catalog Number
Control	ASIC board	2	—	S00457	S00457
	Star coupler	1	—	S00593	S00593
	ASIC assembly	2	—	60S01030	60S01030
	Star coupler kit	1	—	FR10860	FR10860
Control fan	ASIC fan	2	—	PP01096	PP01096
Control module ^①	SPX control module	1	—	CPBS0000000000	CPBS0000000000
	Standard slot A I/O card	1	—	OPTA9	OPTA9
	Standard slot B I/O card	1	—	OPTA2	OPTA2
Converter	Power module ^②	1	—	FR14-1770-4-ANV	FR14-1500-5-ANV
		1	—	FR14-2150-4-ANV	FR14-1900-5-ANV
		1	—	FR14-2700-4-ANV	FR14-2250-5-ANV
	Driver board	6	—	S00454	S00454
	Driver adapter board	2	—	VB00330	VB00330
	Shunt board ^②	36	—	VB00541	VB00516
		36	—	—	VB00517
Covers	Top cover	6	—	FI10001	FI10001
	Side cover	6	—	FI10003	FI10003
DC section	Balancing resistor	6	—	PP13034	PP13034
	Bus capacitor	72	—	S00335	S00336
	DC busbars kit	6	—	FI13329	FI13329
Inverter	Rectifier module	2	—	FR10823	FR10823
	Diode	3	—	PP01177	PP01177
	Rectifier board	2	—	S00591	S00591
Keypad ^①	SVX/SPX keypad	1	—	KEYPAD-LOC/REM	KEYPAD-LOC/REM
Main DC fan ^①	DC fan	6	—	PP00072	PP00072
	DC power supply	6	—	S01017	S01017

Notes

^① Factory recommended spare parts.

^② Select one part number based on the amperage rating of the drive. Please contact EatonCare at 877-ETN-CARE for assistance.

Technical Data and Specifications

2

SPX Drives

Description	Specification
Input Ratings	
Input voltage (V_{in})	+10%/–15%
Input frequency (f_{in})	50/60 Hz (variation up to 45–66 Hz)
Connection to power	Once per minute or less (typical operation)
High withstand rating	100 kAIC
Output Ratings	
Output voltage	0 to V_{in}
Continuous output current	I_H rated 100% at 122 °F (50 °C), FR9 and below I_L rated 100% at 104 °F (40 °C), FR9 and below I_H/I_L 100% at 104 °F (40 °C), FR10 and above
Overload current (I_H/I_L)	150% I_H , 110% I_L for 1 min.
Output frequency	0 to 320 Hz
Frequency resolution	0.01 Hz
Initial output current (I_H)	250% for 2 seconds
Efficiency	>96%
Control Characteristics	
Control method	Frequency control (V/f) Open loop: sensorless vector control Closed loop: frequency control Closed loop: vector control
Switching frequency	Adjustable with parameter 2.6.9
Frame 4–6	1 to 16 kHz; default 10 kHz
Frame 7–12	1 to 10 kHz; default 3.6 kHz
Frequency reference	Analog input: Resolution 0.1% (10-bit), accuracy $\pm 1\%$ V/Hz Panel reference: Resolution 0.01 Hz
Field weakening point	30 to 320 Hz
Acceleration time	0 to 3000 sec.
Deceleration time	0 to 3000 sec.
Braking torque	DC brake: 30% $\times T_n$ (without brake option)
Ambient Conditions	
Ambient operating temperature	14 °F (–10 °C), no frost to 122 °F (50 °C) I_H (FR4–FR9) 14 °F (–10 °C), no frost to 104 °F (40 °C) I_L (FR10 and up) 14 °F (–10 °C), no frost to 104 °F (40 °C) I_L (all frames)
Storage temperature	–40° to 158 °F (–40° to 70 °C)
Relative humidity	0 to 95% RH, noncondensing, non-corrosive, no dripping water
Air quality	Chemical vapors: IEC 721-3-3, unit in operation, class 3C2; Mechanical particles: IEC 721-3-3, unit in operation, class 3S2
Altitude	100% load capacity (no derating) up to 3280 ft (1000 m); 1% derating for each 328 ft (100 m) above 3280 ft (1000 m); max. 9842 ft (3000 m)
Vibration	EN 50178, EN 60068-2-6; 5 to 50 Hz, displacement amplitude 1 mm (peak) at 3 to 15.8 Hz, max. acceleration amplitude 1G at 15.8 to 150 Hz
Shock	EN 50178, EN 60068-2-27 UPS Drop test (for applicable UPS weights) Storage and shipping: max. 15 g, 11 ms (in package)
Enclosure class	NEMA 1/IP21 or NEMA 12/IP54, open chassis/IP20

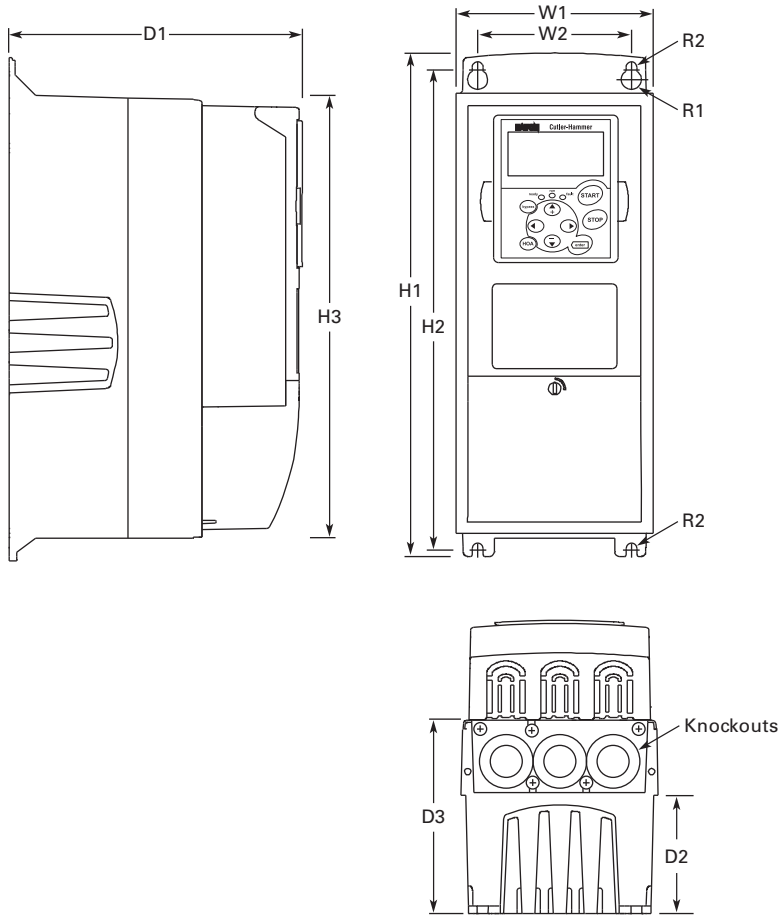
Description	Specification
Control Connections	
Analog input voltage	0 to 10 V, $R = 200$ kohms (–10 to 10 V joystick control) resolution 0.1%; accuracy $\pm 1\%$
Analog input current	0(4) to 20 mA; R_i —250 ohms differential
Digital inputs (6)	Positive or negative logic; 18 to 30 Vdc
Auxiliary voltage	+24 V $\pm 15\%$, max. 250 mA
Output reference voltage	+10 V +3%, max. load 10 mA
Analog output	0(4) to 20 mA; R_L max. 500 ohms; resolution 10 bit; Accuracy $\pm 2\%$
Digital outputs	Open collector output, 50 mA/48V
Relay outputs	2 programmable Form C relay outputs switching capacity: 24 Vdc/8 A, 250 Vac/8 A, 125 Vdc/0.4 A
Protections	
Overcurrent protection	Trip limit 4.0 $\times I_H$ instantaneously
Overvoltage protection	Yes
Undervoltage protection	Yes
Earth fault protection	In case of earth fault in motor or motor cable, only the frequency converter is protected
Input phase supervision	Trips if any of the input phases are missing
Motor phase supervision	Trips if any of the output phases are missing
Overtemperature protection	Yes
Motor overload protection	Yes
Motor stall protection	Yes
Motor underload protection	Yes
Short-circuit protection	Yes (+24 V and +10 V reference voltages)
High Performance Features	
Speed error	<0.01%, depending on the encoder
Encoder support	Incremental or absolute
Encoder voltages	5 V (RS-422), 15 V or 24 V, depending on the option card
Torque control	Full torque control at all speeds, including zero
Torque accuracy	<2%; <5% down to zero speed
Starting torque	>200%, depending on motor and drive sizing
Master/slave configurations	Full capability
System analysis	Integrated data logger
PC communication	Fast multiple drive monitoring with PC
Inter-drive communication	High-speed bus (12 Mbits/s)
High-speed applications	Up to 7200 Hz (special software required)

Dimensions

Approximate Dimensions in Inches (mm)

9000X Drives

NEMA Type 1/IP21 and NEMA Type 12/IP54, FR4, FR5 and FR6



Voltage	hp (I _H)	H1	H2	H3	D1	D2	D3	W1	W2	R1 Dia.	R2 Dia.	Weight Lbs (kg)	Knockouts at Inches (mm)
FR4													
230 V	3/4–3	12.9	12.3	11.5	7.5	3.0	5.0	5.04	3.9	0.5	0.3	11.0 (5)	3 at 10.1 (28)
480 V	1–5	(327)	(313)	(292)	(190)	(77)	(126)	(128)	(100)	(13)	(7)		
FR5													
230 V	5–7-1/2	16.5	16.0	15.3	8.4	3.9	5.8	5.7	3.9	0.5	0.3	17.9 (8)	2 at 1.5 (37)
480 V	7-1/2–15	(419)	(406)	(389)	(214)	(100)	(148)	(144)	(100)	(13)	(7)		1 at 10.1 (28)
FR6													
230 V	10–15	22.0	21.3	20.4	9.3	4.2	6.5	7.7	5.8	0.6	0.4	40.8 (19)	3 at 1.5 (37)
480 V	20–30	(558)	(541)	(519)	(237)	(105)	(165)	(195)	(148)	(15.5)	(9)		
575 V	2–25												

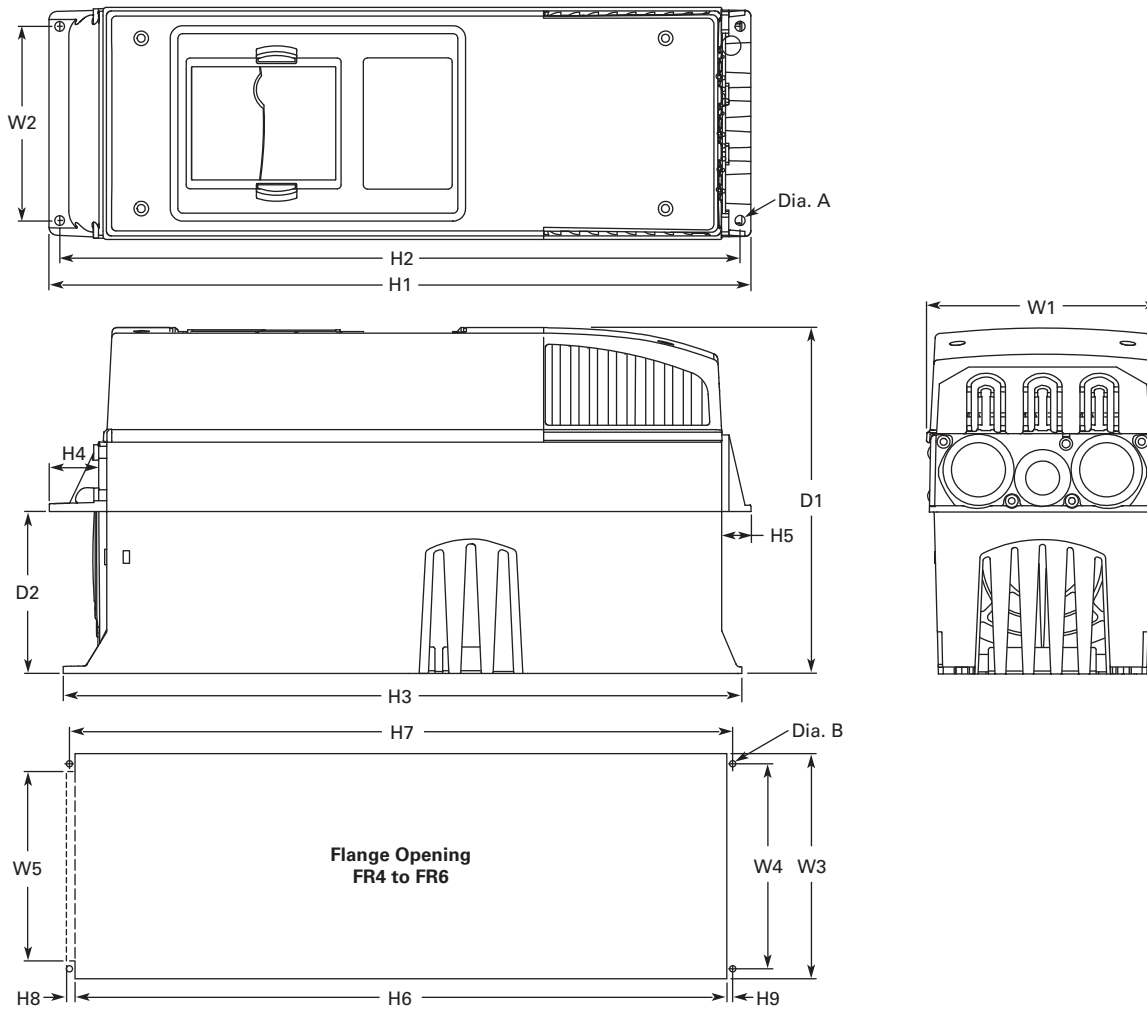
2.10 Adjustable Frequency Drives

SPX Drives

Approximate Dimensions in Inches (mm)

NEMA Type 1/IP21 and NEMA Type 12/IP54 with Flange Kit, FR4, FR5 and FR6

2



FR4, FR5 and FR6 with Flange Kit

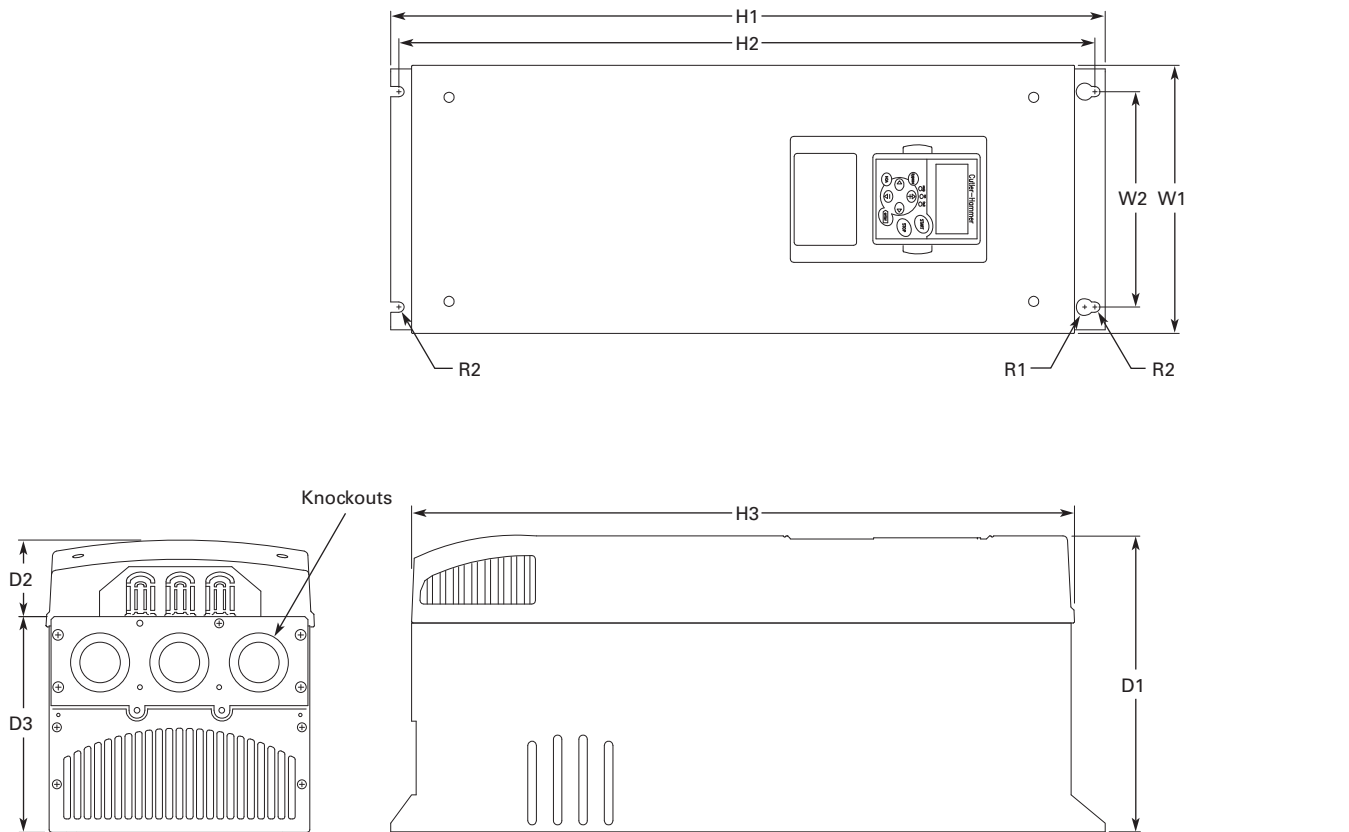
W1	W2	H1	H2	H3	H4	H5	D1	D2	Dia. A
FR4									
5.0 (128)	4.5 (113)	13.3 (337)	12.8 (325)	12.9 (327)	1.2 (30)	0.9 (22)	7.5 (190)	3.0 (77)	0.3 (7)
FR5									
5.6 (143)	4.7 (120)	17.0 (434)	16.5 (420)	16.5 (419)	1.4 (36)	0.7 (18)	8.4 (214)	3.9 (100)	0.3 (7)
FR6									
7.7 (195)	6.7 (170)	22.0 (560)	21.6 (549)	22.0 (558)	1.2 (30)	0.8 (20)	9.3 (237)	4.2 (106)	0.3 (7)

Flange Opening, FR4 to FR6

W3	W4	W5	H6	H7	H8	H9	Dia. B
FR4							
4.8 (123)	4.5 (113)	—	12.4 (315)	12.8 (325)	—	0.2 (5)	0.3 (7)
FR5							
5.3 (135)	4.7 (120)	—	16.2 (410)	16.5 (420)	—	0.2 (5)	0.3 (7)
FR6							
7.3 (185)	6.7 (170)	6.2 (157)	21.2 (539)	21.6 (549)	0.3 (7)	0.2 (5)	0.3 (7)

Approximate Dimensions in Inches (mm)

NEMA Type 1/IP21 and NEMA Type 12/IP54, FR7



Voltage	hp (I _H)	H1	H2	H3	D1	D2	D3	W1	W2	R1 Dia.	R2 Dia.	Weight Lbs (kg)	Knockouts at Inches (mm) N1 (O.D.)
230 V	20–30	24.8 (630)	24.2 (614)	23.2 (590)	10.1 (257)	3.0 (77)	7.3 (184)	9.3 (237)	7.5 (190)	0.7 (18)	0.4 (9)	77.2 (35)	3 at 1.5 (37)
480 V	40–60												
575 V	30–40												

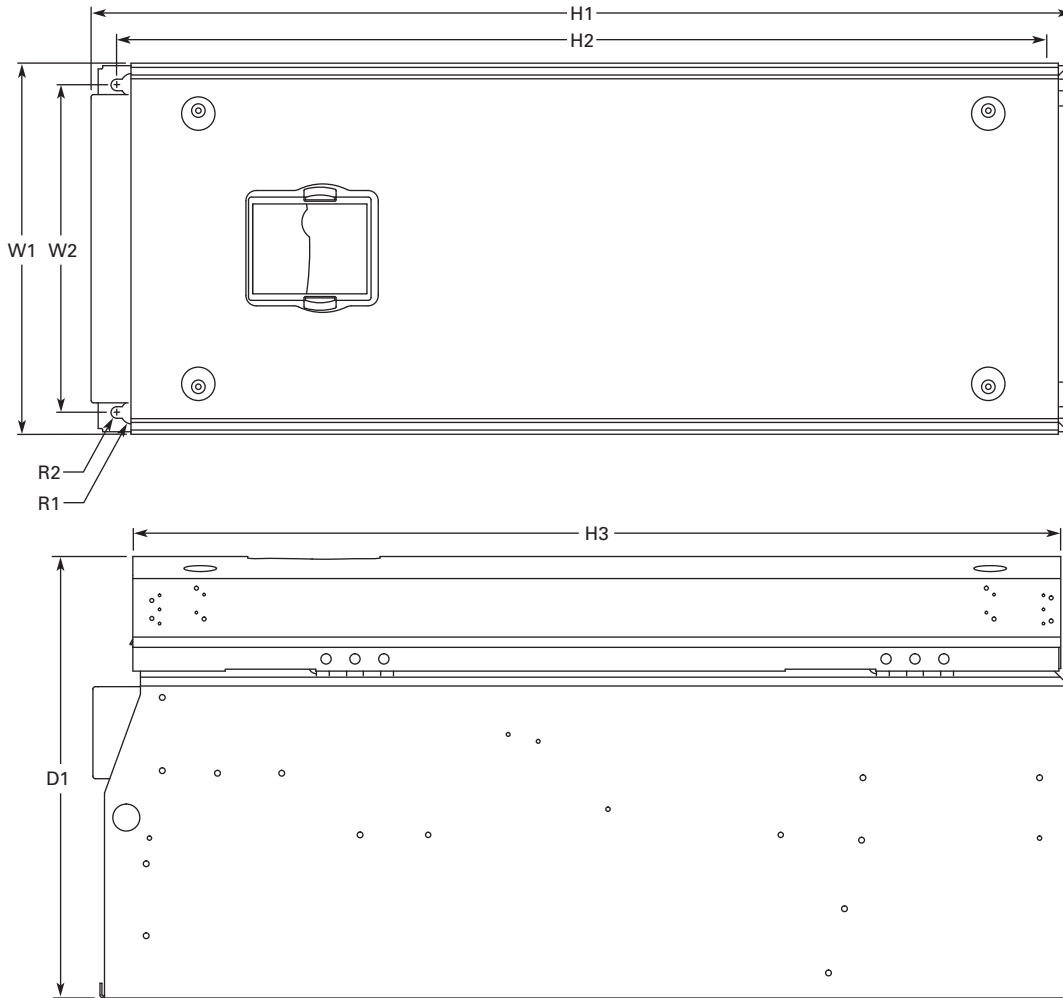
2.10 Adjustable Frequency Drives

SPX Drives

Approximate Dimensions in Inches (mm)

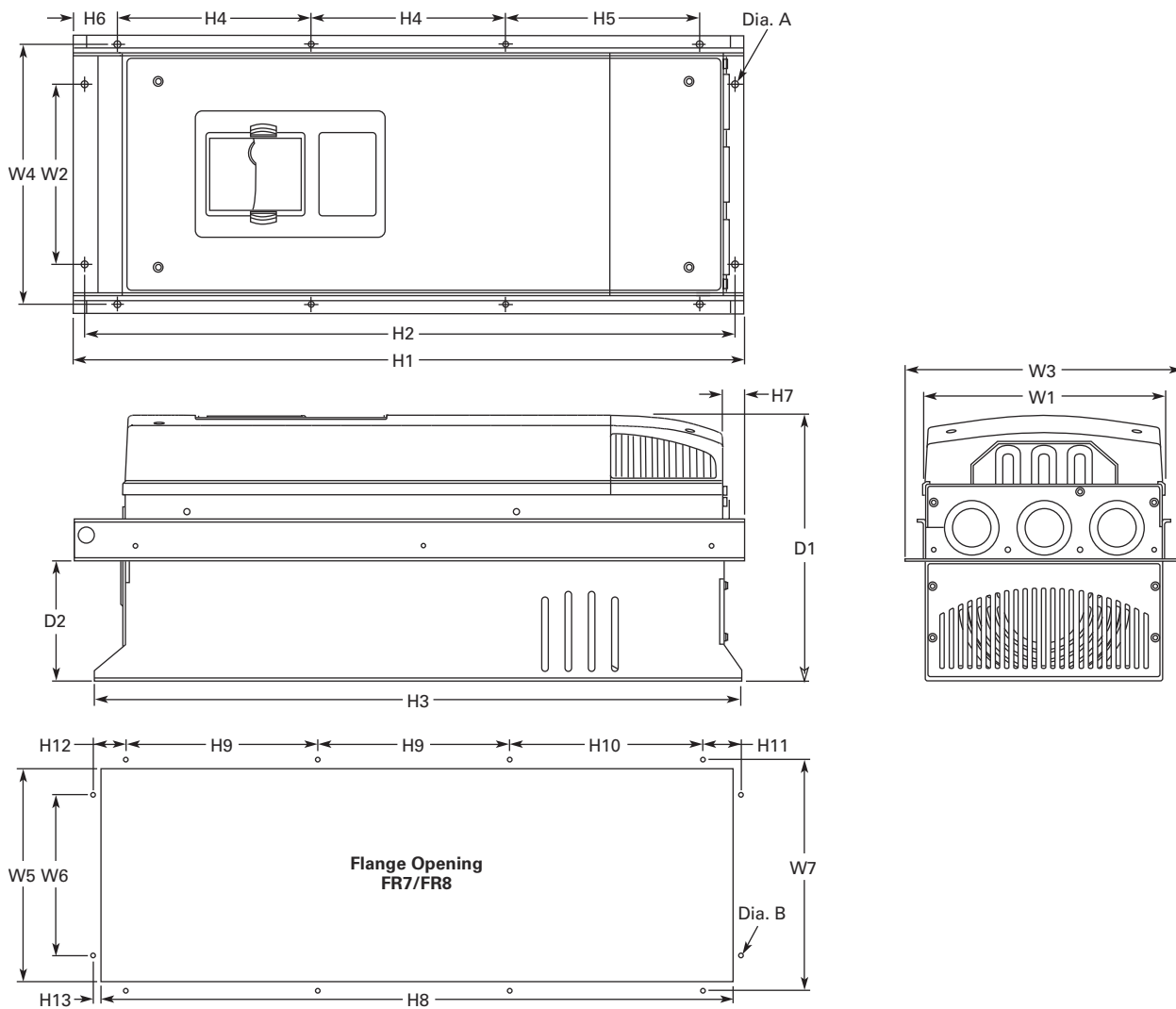
NEMA Type 1/IP21 and NEMA Type 12/IP54, FR8

2



Voltage	hp (I _H)	D1	H1	H2	H3	W1	W2	R1 Dia.	R2 Dia.	Weight Lbs (kg)
230 V	40–60	13.5 (344)	30.1 (764)	28.8 (732)	28.4 (721)	11.5 (291)	10 (255)	0.7 (18)	0.4 (9)	127 (58)
480 V	75–125									
575 V	50–75									

Approximate Dimensions in Inches (mm)

NEMA Type 1/IP21 and NEMA Type 12/IP54, with Flange Kit, FR7 and FR8

W1	W2	W3	W4	H1	H2	H3	H4	H5	H6	H7	D1	D2	Dia. A
FR7													
9.3 (237)	6.8 (175)	10.6 (270)	10.0 (253)	25.6 (652)	24.9 (632)	24.8 (630)	7.4 (189)	7.4 (189)	0.9 (23)	0.8 (20)	10.1 (257)	4.6 (117)	0.3 (6)
FR8													
11.2 (285)	—	14.0 (355)	13.0 (330)	32.8 (832)	—	29.3 (745)	10.2 (258)	10.4 (265)	1.7 (43)	2.2 (57)	13.5 (344)	4.3 (110)	0.4 (9)

Flange Opening, FR7 and FR8

W5	W6	W7	H8	H9	H10	H11	H12	H13	Dia. B
FR7									
9.2 (233)	6.9 (175)	10.0 (253)	24.4 (619)	7.4 (189)	7.4 (189)	1.4 (35)	1.3 (32)	1.0 (25)	0.3 (6)
FR8									
11.9 (301)	—	13.0 (330)	31.9 (810)	10.2 (258)	10.4 (265)	—	—	1.3 (33)	0.4 (9)

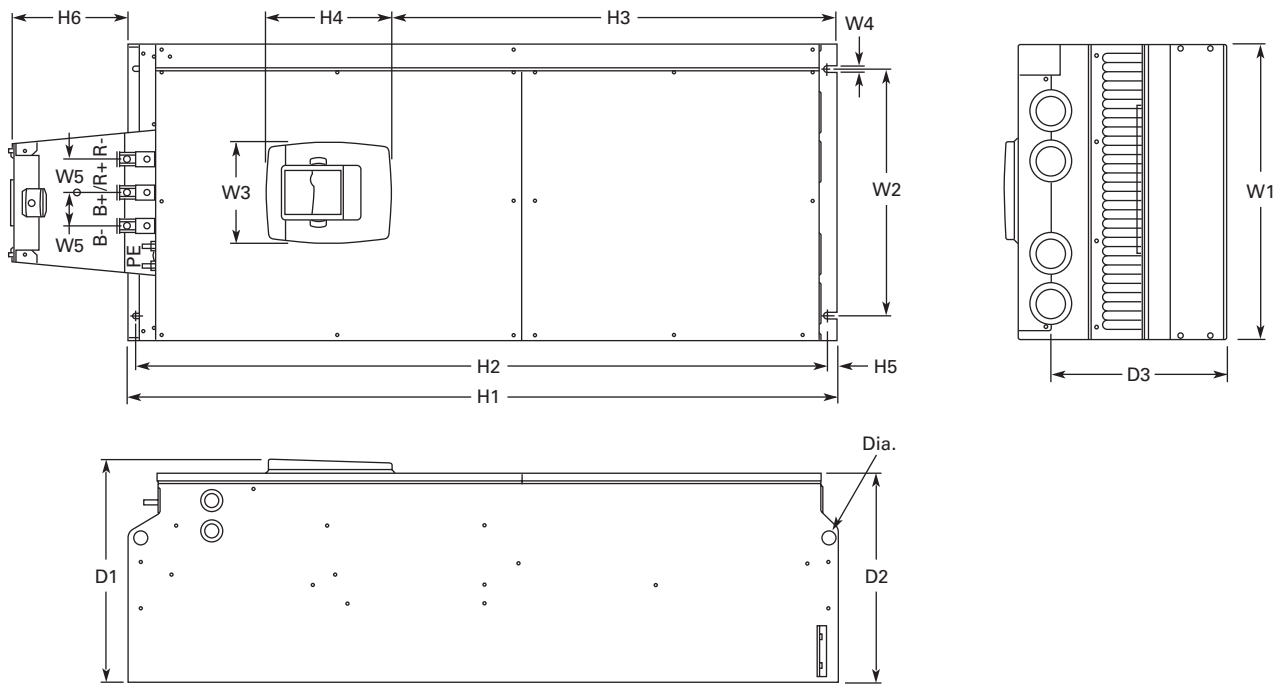
2.10 Adjustable Frequency Drives

SPX Drives

Approximate Dimensions in Inches (mm)

NEMA Type 1/IP21 and NEMA Type 12/IP54, FR9

2



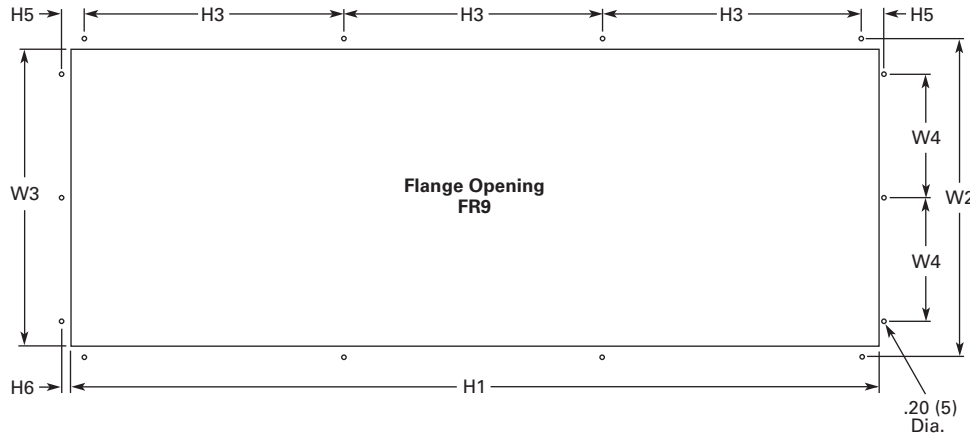
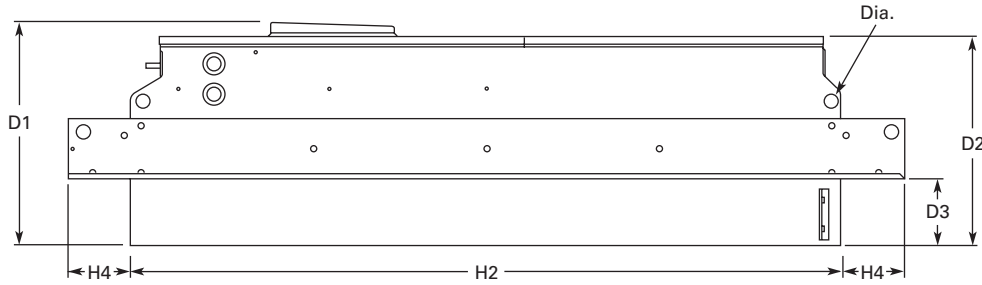
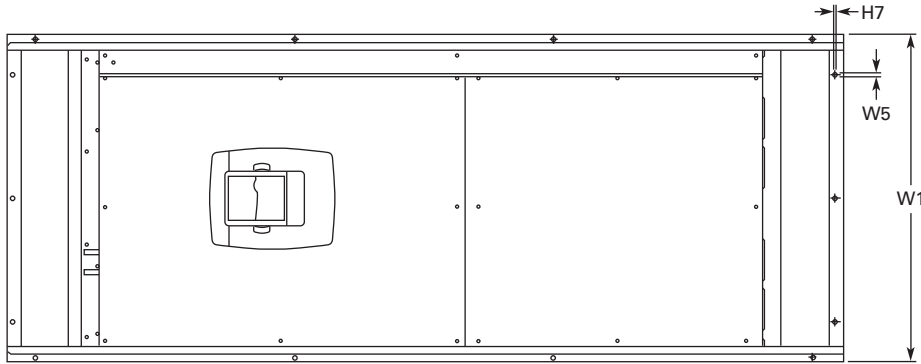
Voltage	hp (I _H)	W1	W2	W3	W4	H1	H2	H3	H4 ①	D1	D2	D3	Dia.	Weight Lbs (kg)
230 V	75–100	18.9 (480)	15.7 (400)	0.4 (9)	2.1 (54)	45.3 (1150)	44.1 (1120)	0.6 (16)	7.4 (188)	14.2 (361.5)	13.4 (340)	11.2 (285)	0.8 (21)	321.9 (146)
480 V	150–200													
575 V	100–175													

Note

① Brake resistor terminal box (H6) included when brake chopper ordered.

Approximate Dimensions in Inches (mm)

NEMA Type 1/IP21 and NEMA Type 12/IP54, FR9 with Flange Kit



W1	W2	W3	W4	W5	H1	H2	H3	H4	H5	H6	H7	D1	D2	D3	Dia.
20.9 (530)	20.0 (510)	19.1 (485)	7.9 (200)	0.2 (5.5)	51.7 (1312)	45.3 (1150)	16.5 (420)	3.9 (100)	1.4 (35)	0.4 (9)	0.1 (2)	24.9 (362)	13.4 (340)	4.3 (109)	0.8 (21)

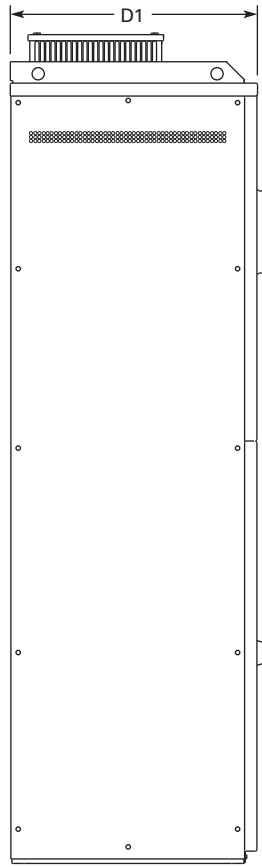
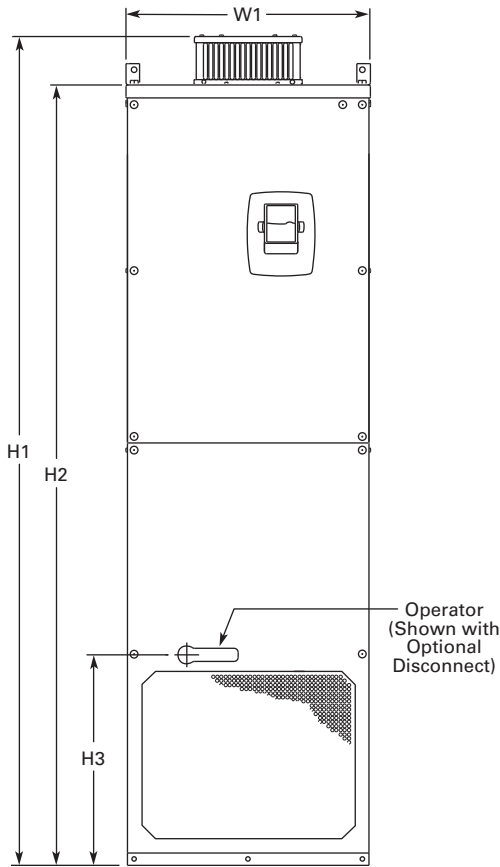
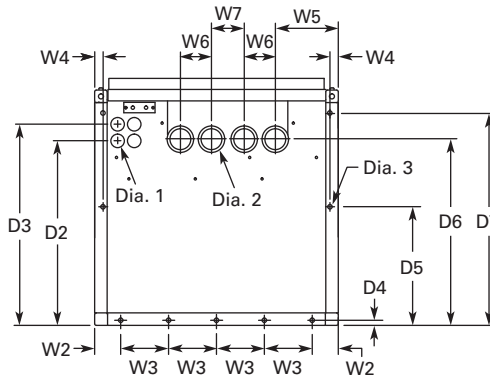
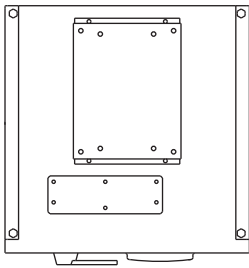
2.10 Adjustable Frequency Drives

SPX Drives

Approximate Dimensions in Inches (mm)

NEMA Type 1/IP21 and NEMA Type 12/IP54, FR10 Freestanding

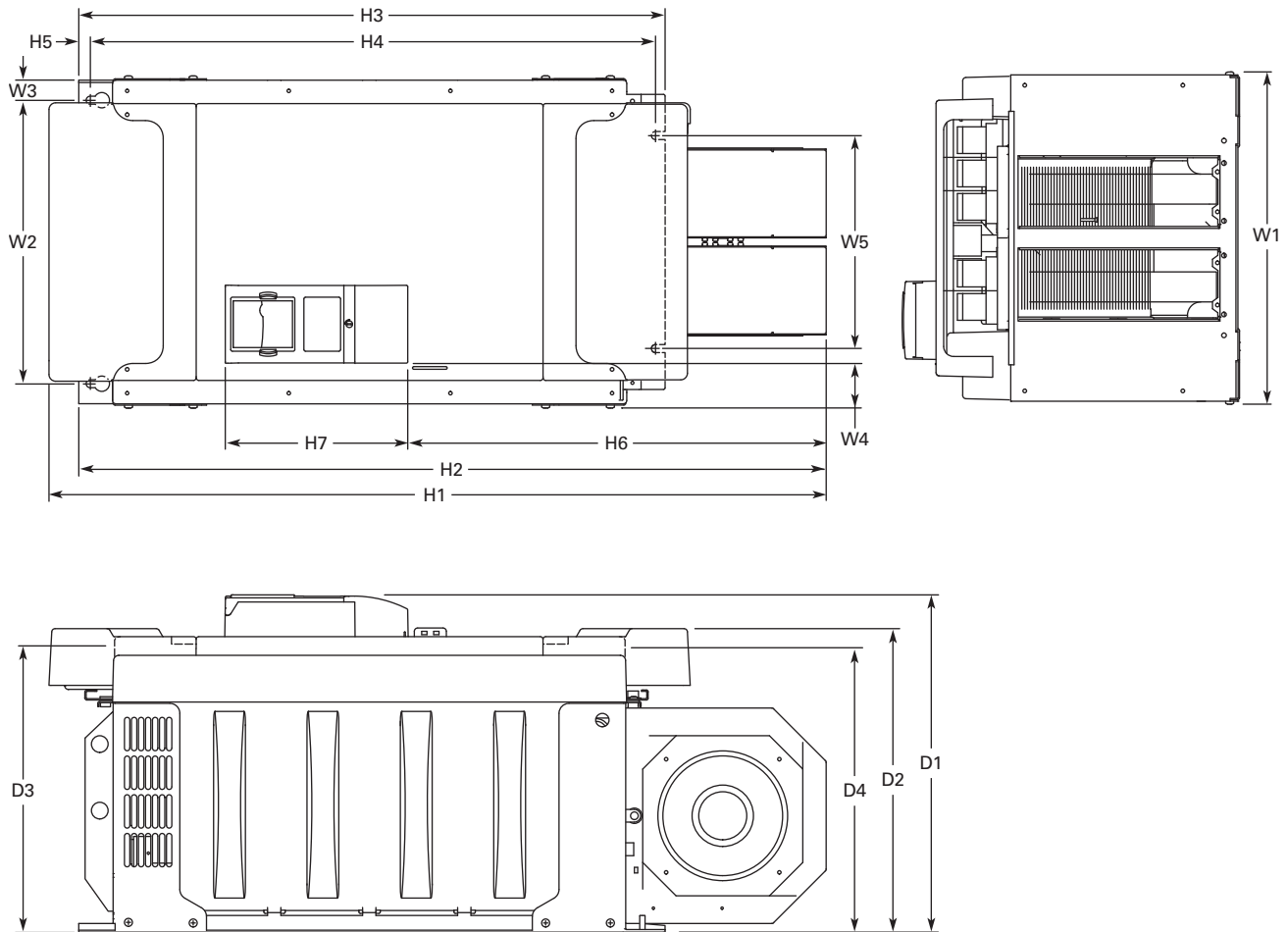
2



Volts	hp (I _H)	W1	W2	W3	W4	W5	W6	W7	H1	H2	H3	D1	D2	D3	D4	D5	D6	D7	Dia. 1	Dia. 2	Dia. 3	Weight Lbs (kg)
480 V	250–350	23.43	2.46	4.53	0.79	5.95	2.95	30.11	79.45	74.80	20.18	23.70	17.44	19.02	0.47	11.22	17.60	20.08	0.83	1.89	0.43	875 (389)
690 V	200–300	(595)	(62.5)	(115)	(20)	(151)	(75)	(79)	(2018)	(1900)	(512.5)	(602)	(443)	(483)	(12)	(285)	(447)	(510)	(21)	(48)	(11)	

Approximate Dimensions in Inches (mm)

FR10 Open Chassis ①



Voltage	hp (I _H)	W1	W2	W3	W4	W5	H1	H2	H3	H4	H5	H6	H7	D1	D2	D3	D4	Weight Lbs (kg)
480 V	250–350	19.7 (500)	16.7 (425)	1.2 (30)	2.6 (67)	12.8 (325)	45.9 (1165)	44.1 (1121)	34.6 (879)	33.5 (850)	0.7 (17)	24.7 (627)	10.8 (275)	19.9 (506)	17.9 (455)	16.7 (423)	16.6 (421)	518 (235)
575 V	200–300																	

Note

① SPXX FR12 is built of two FR10 modules. Please refer to SPX installation manual for mounting instructions.

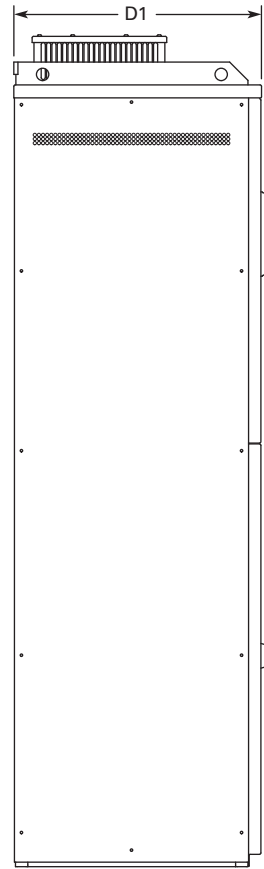
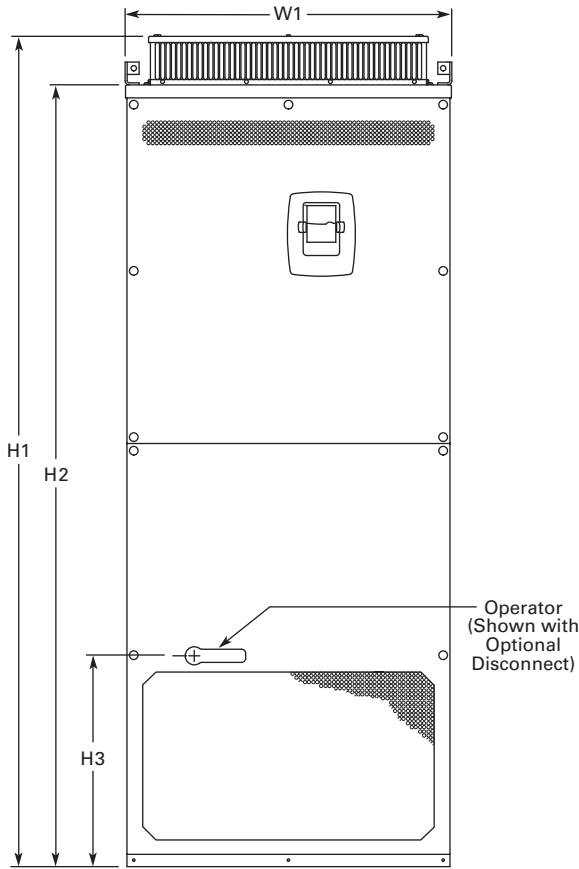
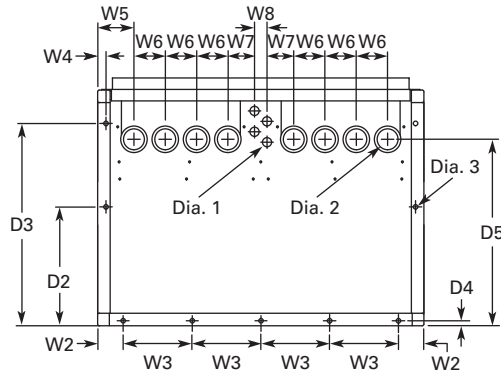
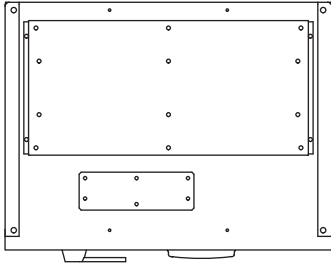
2.10 Adjustable Frequency Drives

SPX Drives

Approximate Dimensions in Inches (mm)

NEMA Type 1/IP21, FR11 Freestanding Drive

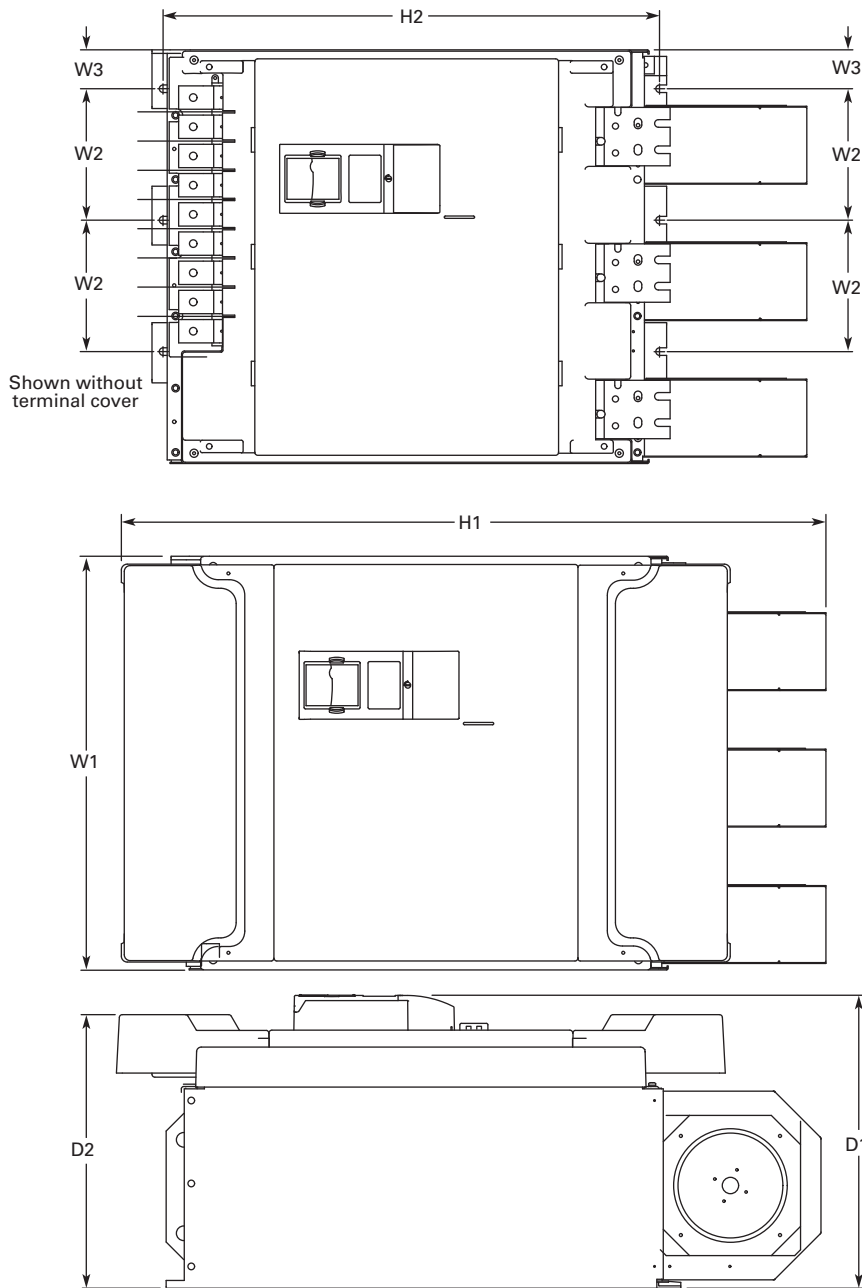
2



Voltage	hp (I _H)	W1	W2	W3	W4	W5	W6	W7	W8	H1	H2	H3	D1	D2	D3	D4	D5	Dia. 1	Dia. 2	Dia. 3	Weight Lbs (kg)
480 V	400–550	31.26 (794)	2.40 (61)	6.50 (165)	0.79 (20)	3.43 (87)	2.95 (75)	2.52 (64)	1.18 (30)	79.45 (2018)	74.80 (1900)	20.18 (512.5)	23.70 (602)	11.22 (285)	19.09 (485)	0.47 (12)	17.60 (447)	0.83 (21)	1.89 (48)	0.35 x 0.43 (9 x 11)	526 (239)
690 V	400–500																				

Approximate Dimensions in Inches (mm)

FR11 Open Chassis



Voltage	hp (I _H)	W1	W2	W3	H1	H2	D1	D2	Weight Lbs (kg)
480 V	400-550	27.9 (709)	8.6 (225)	2.6 (67)	45.5 (1155)	33.5 (850)	19.8 (503)	18.4 (468)	833 (378)
575 V	400-500								

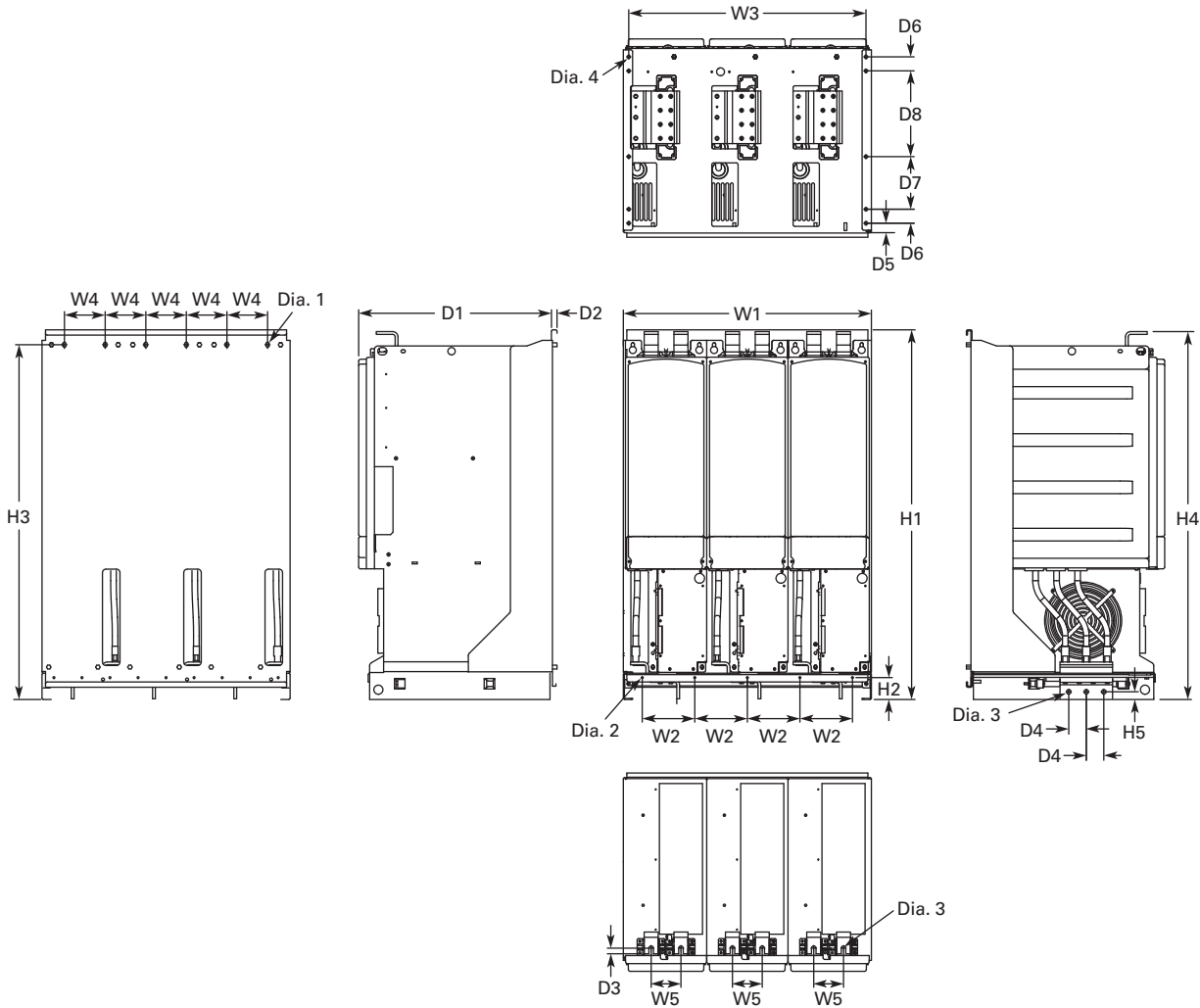
2.10 Adjustable Frequency Drives

SPX Drives

Approximate Dimensions in Inches (mm)

FR13, Open Chassis Inverter

2



W1	W2	W3	W4	W5	H1	H2	H3	H4	H5	D1	D2	D3	D4	D5	D6	D7	D8	Dia. 1	Dia. 2	Dia. 3	Dia. 4	Weight Lbs (kg)
27.87	5.91	26.65	4.57	3.35	41.54	2.46	39.86	41.34	0.79	21.77	0.51	0.63	1.97	1.06	1.57	5.91	9.64	0.35x0.59	0.18	0.51	0.37	683 (310)
(708)	(150)	(677)	(116)	(85)	(1055)	(62.5)	(1012.5)	(1050)	(20)	(553)	(13)	(16)	(50)	(27)	(40)	(150)	(244.8)	(9x15)	(4.6)	(13)	(9.5)	

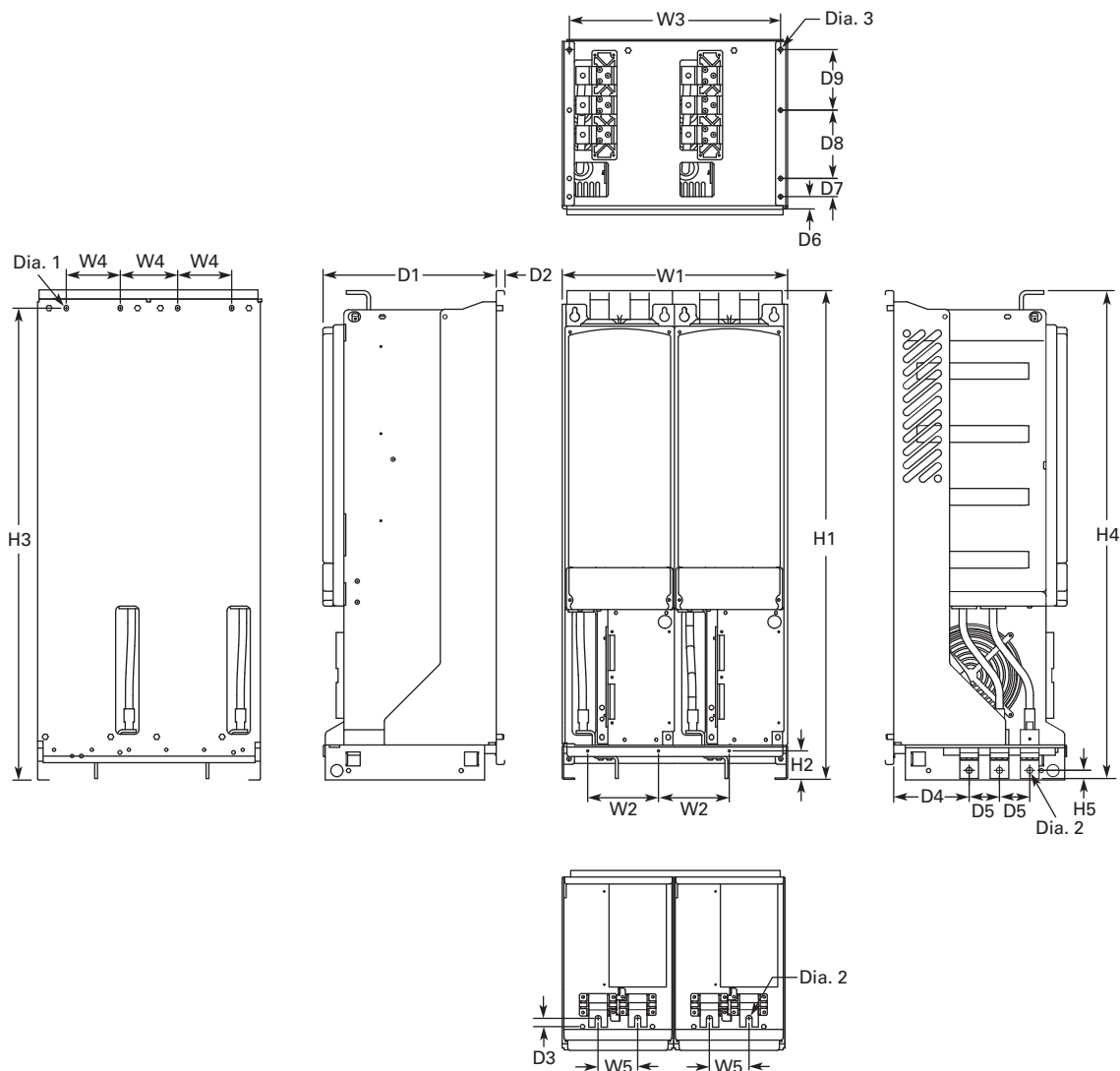
Notes

9000X FR14 is built of two FR13 modules. Please refer to SPX installation manual for mounting instructions.

FR13 is built from an inverter module and a converter module. Please refer to SPX installation manual for mounting instructions.

Approximate Dimensions in Inches (mm)

FR13, Open Chassis Converter



W1	W2	W3	W4	W5	H1	H2	H3	H4	H5	D1	D2	D3	D4	D5	D6	D7	D8	D9	Dia. 1	Dia. 2	Dia. 3	Weight Lbs (kg)
18.74 (476)	5.91 (150)	17.52 (445)	4.57 (116)	3.35 (85)	41.54 (1055)	2.46 (62.5)	39.86 (1012.5)	41.34 (1050)	0.69 (17.5)	14.69 (373)	0.51 (13)	0.73 (18.5)	6.42 (163)	2.56 (65)	1.06 (27)	1.57 (40)	5.91 (150)	5.24 (133)	0.35x0.59 (9x15)	0.51 (13)	0.37 (9.5)	295 (134)

Number of Input Units

480 V			690 V		
Catalog Number	hp	Input Modules	Catalog Number	hp	Input Modules
SPX800 A0-4 A2N1	800	2	SPX800 A0-5 A2N1	800	2
			SPX900 A0-5 A2N1	900	2
			SPXH10 A0-5 A2N1	1000	2

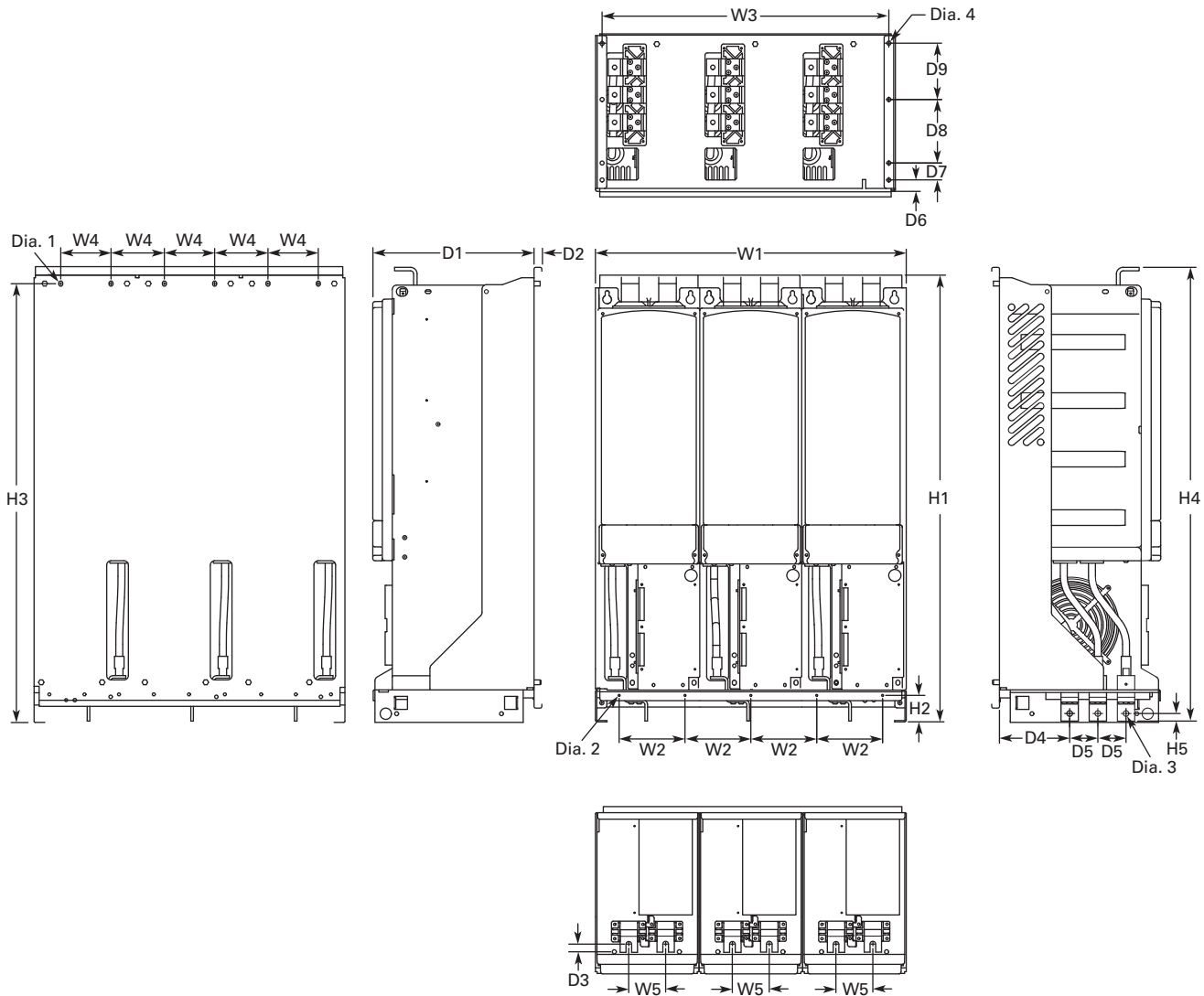
2.10 Adjustable Frequency Drives

SPX Drives

Approximate Dimensions in Inches (mm)

FR13, Open Chassis Converter—900/1000 hp 480 V

2



W1	W2	W3	W4	W5	H1	H2	H3	H4	H5	D1	D2	D3	D4	D5	D6	D7	D8	D9	Dia. 1	Dia. 2	Dia. 3	Dia. 4	Weight Lbs (kg)
27.87 (708)	5.91 (150)	26.65 (677)	4.57 (116)	3.35 (85)	41.54 (1055)	2.46 (62.5)	39.86 (1012.5)	41.34 (1050)	0.69 (17.5)	14.69 (373)	0.51 (13)	0.73 (18.5)	6.42 (163)	2.56 (65)	1.06 (27)	1.57 (40)	5.91 (150)	5.24 (133)	0.35x0.59 (9x15)	0.18 (4.6)	0.51 (13)	0.37 (9.5)	443 (201)

Number of Input Units

480 V Catalog Number	hp	Input Modules
SPX900 A0-4 A2N1	900	3
SPXH10 A0-4 A2N1	1000	3

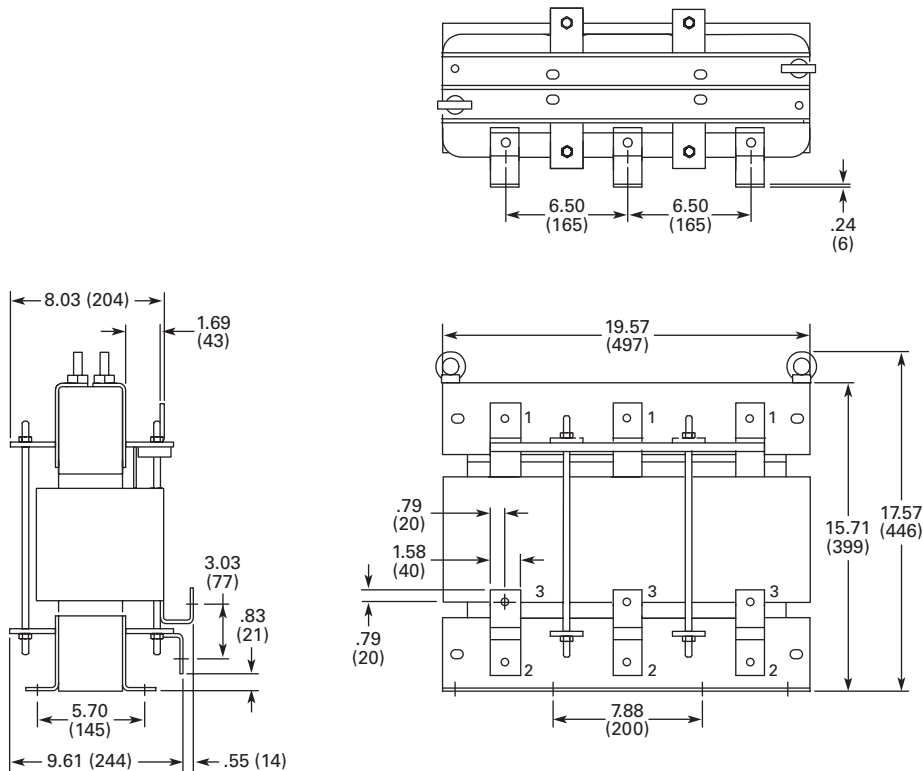
Approximate Dimensions in Inches (mm)

AC Choke Dimensions

Choke Types

Catalog Number	Frame Size	Choke Type ^①	Catalog Number	Frame Size	Choke Type ^①
Voltage Range 380–500 V			Voltage Range 525–690 V		
SPX 250 4	FR10	CHK0400	SPX 200 5	FR10	CHK0261
SPX 300 4		CHK0520	SPX 250 5		CHK0400
SPX 350 4		CHK0520	SPX 300 5		CHK0400
SPX 400 4	FR11	2 x CHK0400	SPX 400 5	FR11	CHK0520
SPX 500 4		2 x CHK0400	SPX 450 5		CHK0520
SPX 550 4		2 x CHK0400	SPX 500 5		2 x CHK0400
SPX 600 4	FR12	2 x CHK0520	SPX 550 5	FR12	2 x CHK0400
SPX 650 4		2 x CHK0520	SPX 600 5		2 x CHK0400
SPX 700 4		2 x CHK0520	SPX 700 5		2 x CHK0400
SPX 800 4	FR13	2 x CHK0400	SPX 800 5	FR13	2 x CHK0400
SPX 900 4		3 x CHK0520	SPX 900 5		2 x CHK0400
SPX H10 4		3 x CHK0520	SPX H10 5		2 x CHK0400
SPX H12 4	FR14	4 x CHK0520	SPX H13 5	FR14	4 x CHK0400
SPX H16 4		6 x CHK0400	SPX H15 5		6 x CHK0400

CHK0520



Note

^① Chokes are provided with all FR10–FR14 drives.

2.10

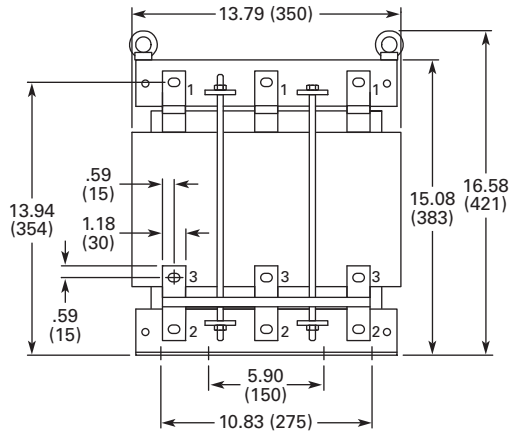
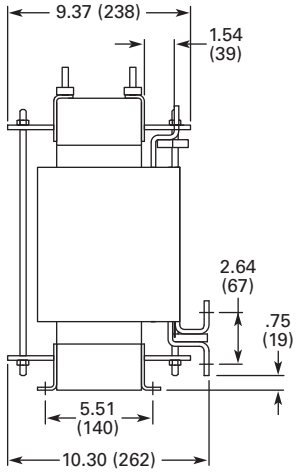
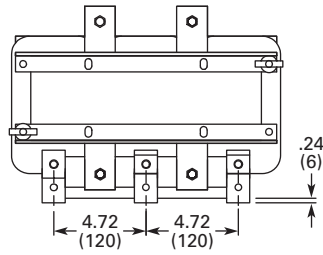
Adjustable Frequency Drives

SPX Drives

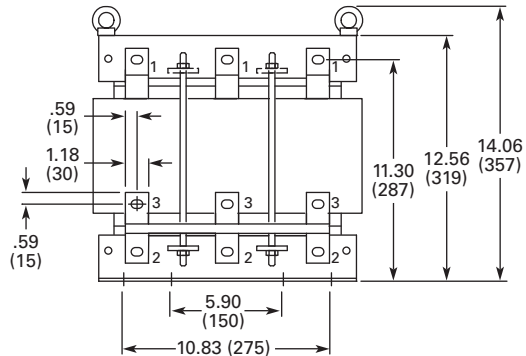
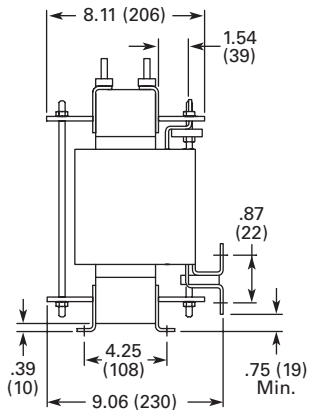
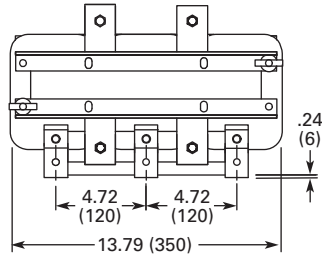
Approximate Dimensions in Inches (mm)

CHK0400

2



CHK0261



Clean Power Drives



Contents

Description**Page**

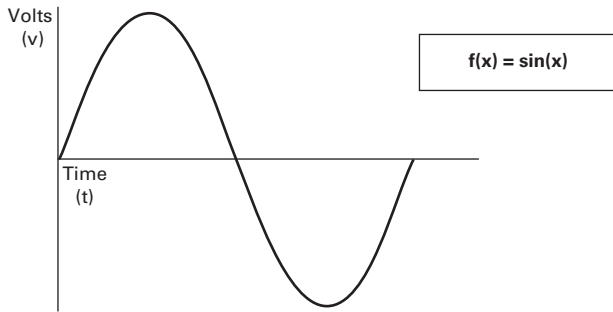
Clean Power Drives Overview	V6-T2-298
Enclosed Passive Filtered Drives	
EGF Enclosed Drives	V6-T2-305
CFX Enclosed Drives	V6-T2-325
HCX Enclosed 12-Pulse Drives	V6-T2-351
CPX Enclosed 18-Pulse Drives	V6-T2-355
RGX Enclosed Regenerative Drives	V6-T2-379

Clean Power Drives Overview

What Are Harmonics?

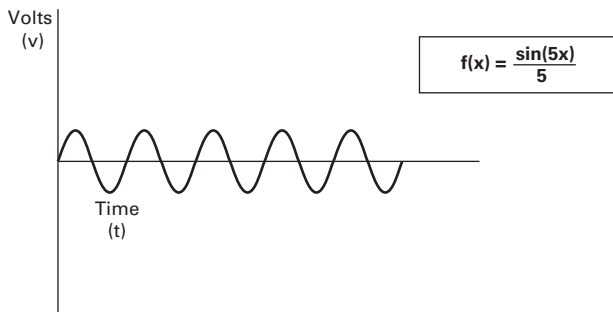
Take a perfect wave with a fundamental frequency of 60 Hz, which is close to what is supplied by the power company.

Perfect Wave



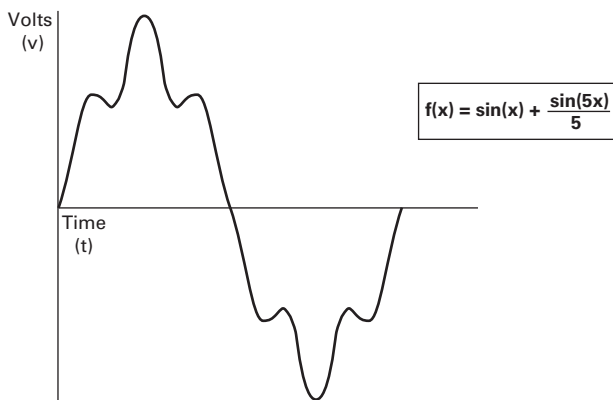
Add a second wave that is five times the fundamental frequency—300 Hz (typical of frequency added to the line by a fluorescent light).

Second Wave



Combine the two waves. The result is a 60 Hz supply rich in fifth harmonics.

Resulting Supply



What Causes Harmonics?

Harmonics are the result of nonlinear loads that convert AC line voltage to DC. Examples of equipment that are non-linear loads are listed below:

- AC variable frequency drives
- DC drives
- Fluorescence lighting, computers, UPS systems
- Industrial washing machines, punch presses, welders, etc.

How Can Harmonics Due to VFDs Be Diminished?

By applying drives from the Eaton Clean Power drives family: EGF and CFX passive filtered drives, HCX 12-pulse drives, EGP and CPX 18-pulse drives, and RGX regenerative drives.

What Are Linear Loads?

Linear loads are primarily devices that run across the line and do not add harmonics. Motors are prime examples. The downside to having large motor linear loads is that they draw more energy than a VFD, because of their inability to control motor speed. In most applications there is a turn down valve used with the motor which will reduce the flow of the material, without significantly reducing the load to the motor. While this provides some measure of speed control, it is extremely inefficient.

Why Be Concerned About Harmonics?

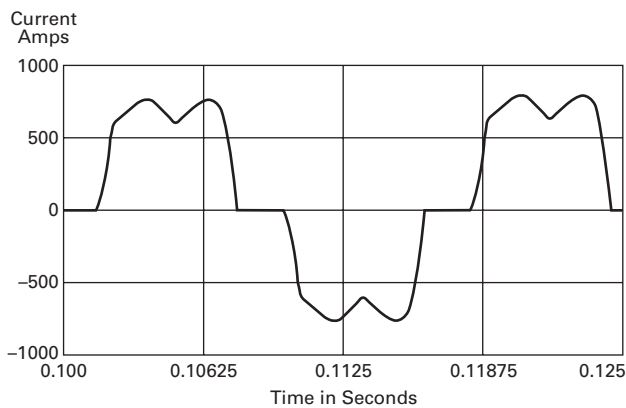
1. **Installation and utility costs increase.** Harmonics cause damage to transformers and lower efficiencies due to the voltage drop. These losses can become significant (from 16.6–21.6%) which can have a dramatic effect on the HVAC systems that are controlling the temperatures of the building where the transformer and drive equipment reside.
2. **Downtime and loss of productivity.** Telephones and data transmissions links may not be guaranteed to work on the same power grids polluted with harmonics.
3. **Downtime and nuisance trips of drives and other equipment.** Emergency generators have up to three times the impedance that is found in a conventional utility source. Thus the harmonic voltage can be up to three times as large, causing risk of operation problems.
4. **Larger motors must be used.** Motors running across the line that are connected on polluted power distribution grids can overheat or operate at lower efficiency due to harmonics.
5. **Higher installation costs.** Transformers and power equipment must be oversized to accommodate the loss of efficiencies. This is due to the harmonic currents circulating through the distribution without performing useful work.

How Does a VFD Convert Three-Phase AC to a Variable Output Voltage and Frequency?

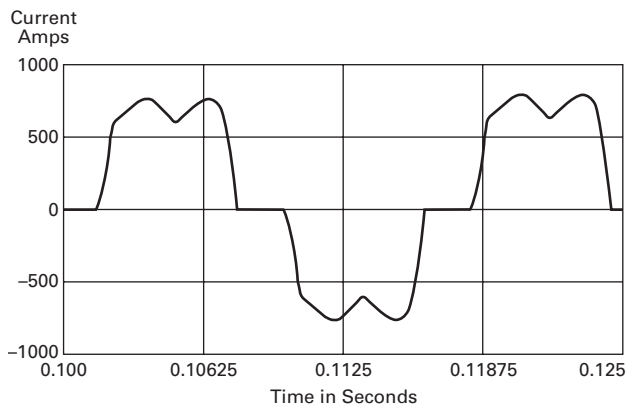
The six-pulse VFD: The majority of all conventional drives that are built consist of a six-pulse configuration. The figure below represents a six-diode rectifier design that converts three-phase utility power to DC. The inverter section uses IGBTs to convert DC power to a simulated AC sine wave that can vary in frequency from 0–400 Hz.

The six-pulse VFD drive creates harmonic current distortion. The harmonic current that is created is energy that can not be used by customers and causes external heat and losses to all components including other drives that are on the same power distribution. The figure is a 100 hp drive with 45 A of damaging harmonic current.

100 hp Six-Diode Rectifier Design



100 hp Six-Pulse Nonproductive Harmonic Current



Six-Pulse Nonproductive Harmonic Current

Six-Pulse Circuit

Current harmonics

$I_1 = 100\%$	$I_{11} = 6.10\%$	$I_{19} = 1.77\%$
$I_5 = 22.5\%$	$I_{13} = 4.06\%$	$I_{23} = 1.12\%$
$I_7 = 9.38\%$	$I_{17} = 2.26\%$	$I_{25} = 0.86\%$

Power = 100 hp

Harmonic current = 45 amps

Guidelines of Meeting IEEE Std. 519-2014 Harmonic Distortion Limits

The IEEE 519-2014 Specification is a standard that provides guidelines for commercial and industrial

users that are implementing medium and low voltage equipment.

Current Distortion Limits for Systems Rated 120 V through 69 kV

Maximum Harmonic Current Distortion in percent of I_L

Individual Harmonic Order (Odd Harmonics) ^{①②}

I_{sc}/I_L	$3 \leq h < 11$	$11 \leq h < 17$	$17 \leq h < 23$	$23 \leq h < 35$	$35 \leq h \leq 50$	TDD
< 20 ^③	4.0	2.0	1.5	0.6	0.3	5.0
$20 < 50$	7.0	3.5	2.5	1.0	0.5	8.0
$50 < 100$	10.0	4.5	4.0	1.5	0.7	12.0
$100 < 1000$	12.0	5.5	5.0	2.0	1.0	15.0
> 1000	15.0	7.0	6.0	2.5	1.4	20.0

Notes

- ① Even harmonics are limited to 25% of the odd harmonic limits shown in table above.
- ② Current distortions that result in a DC offset, e.g., half-wave converters, are not allowed.
- ③ All power generation equipment is limited to these values of current distortion, regardless of actual I_{sc}/I_L .

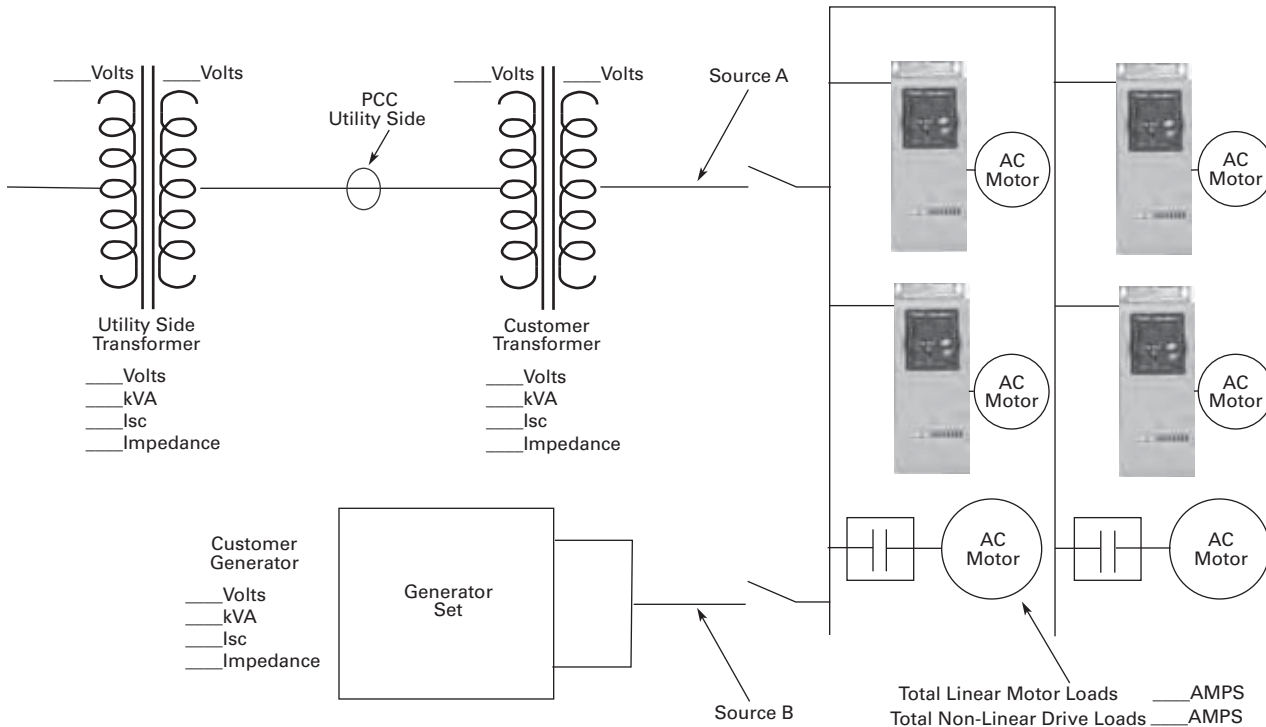
where

I_{sc} = maximum short-circuit current at PCC.

I_L = maximum demand load current (fundamental frequency component) at the PCC under normal load operating conditions.

One-Line Diagram for Harmonic Analysis

2



The best way to estimate AFD harmonic contribution to an electrical system is to perform a harmonic analysis based on known system characteristics. The one line in this figure would provide the data to complete the calculations.

Terms

- PCC (Point of Common Coupling) is defined as the electrical connecting point between the utility and multiple customers per the specifications in IEEE 519
- POA (Point of Analysis) is defined as where the harmonic calculations are taken

An oscilloscope can make all measurements at the PCC or POA to do an on-site harmonic evaluation.

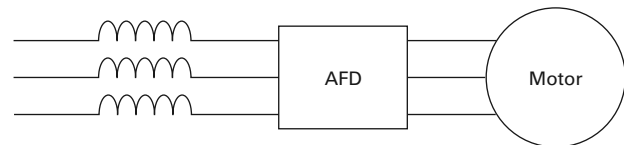
Harmonic Reduction Methods to Meet IEEE 519

1. Line Reactor

A line reactor is a three-phase series inductance on the line side of an AFD. If a line reactor is applied on all AFDs, it is possible to meet IEEE guidelines where 10–25% of system loads are AFDs, depending on the stiffness of the line and the value of line reactance. Line reactors are available in various values of percent impedance, most typically 1–1.5%, 3% and 5%.

Note: The SVX/SPX drives come standard with a nominal 3% input impedance.

Line Reactor



Advantages

- Low cost
- Can provide moderate reduction in voltage and current harmonics
- Available in various values of percent impedance
- Provides increased input protection for AFD and its semiconductors from line transients

Disadvantages

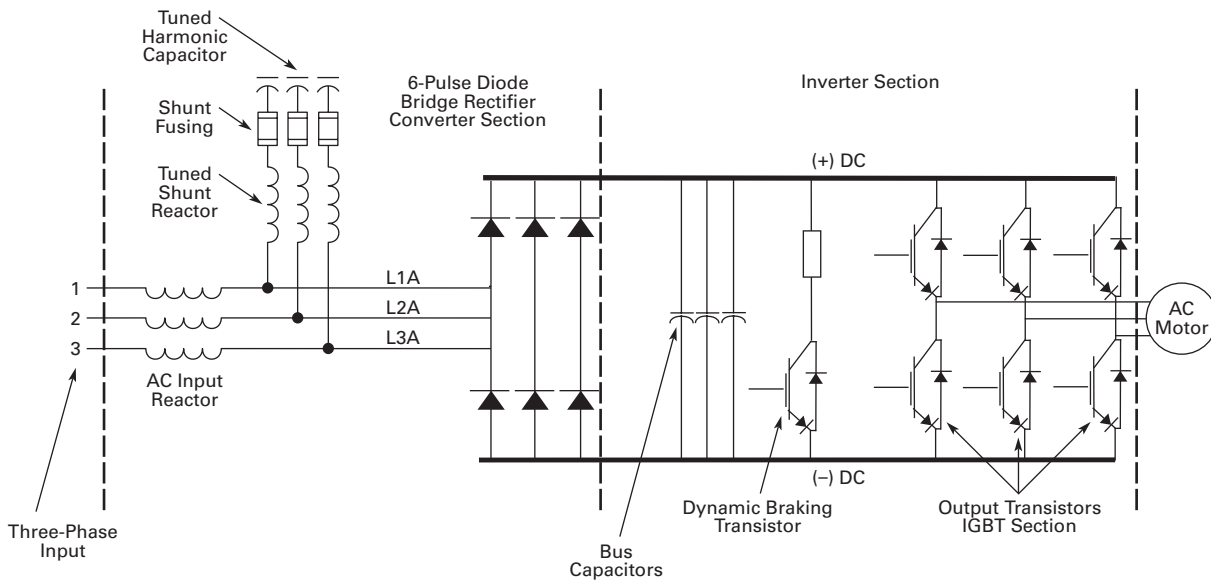
- May not reduce harmonic levels to below IEEE 519-2014 guidelines
- Voltage drop due to IR loss

2. Passive Filters

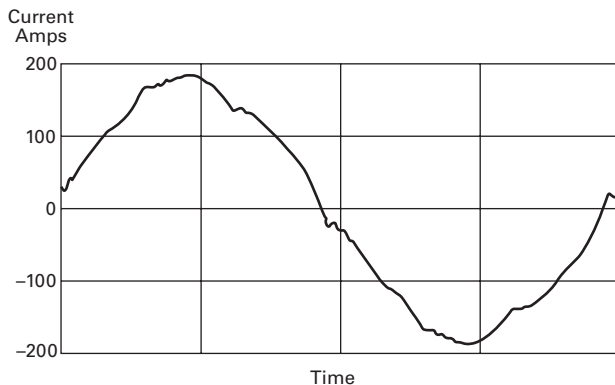
Tuned harmonic filters involve the series connection of an inductor with the shunt connection of an inductor and capacitor to form a low impedance path to ground for

a specific range of frequencies. This path presents an alternative to the flow of harmonic currents back into the utility source.

Enclosed Drive with Integrated Passive Filter



100 hp Enclosed 480 V Drive with Integrated Passive Filter



100 hp Enclosed 480 V Drive with Integrated Passive Filter

Passive Filter

Current harmonics

$I_1 = 100\%$	$I_{11} = 0.24\%$	$I_{19} = 0.50\%$
$I_5 = 3.76\%$	$I_{13} = 1.1\%$	$I_{23} = 0.55\%$
$I_7 = 1.65\%$	$I_{17} = 0.80\%$	$I_{25} = 0.80\%$

Power = 100 hp

$H_c = 8.6$ Amps

Advantages

- Low cost for smaller horsepower applications
- More effective harmonic attenuation than 12-pulse drives
- Provides increased input protection for AFD from line transients

Disadvantages

- Capacitors age over time, unlike magnetics
- Not as effective as 18-pulse drives
- Challenging to retrofit with bypass applications

2.11

Adjustable Frequency Drives

Clean Power Drives

2

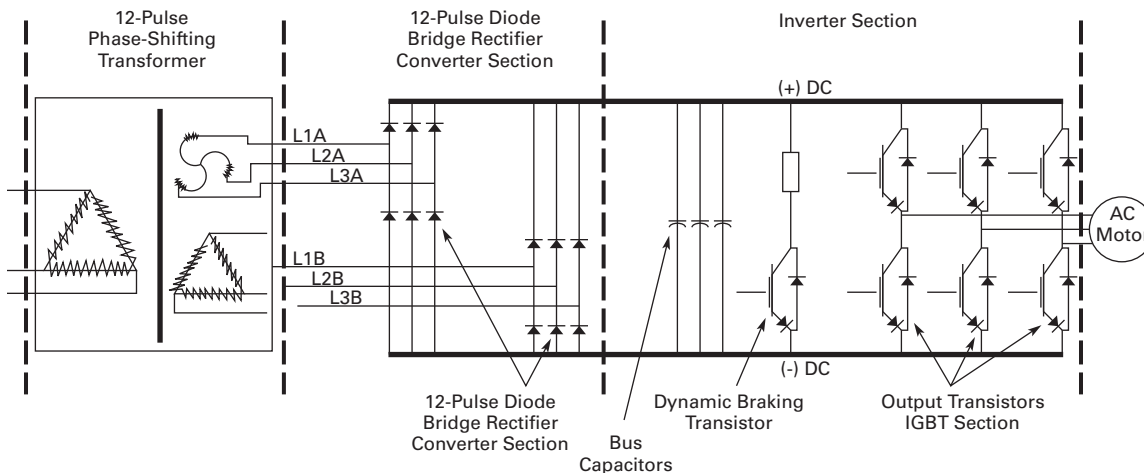
3. 12-Pulse Converters

A 12-pulse converter incorporates two separate AFD input semiconductor bridges, which are fed from 30° phase shifted power sources with identical impedance. The sources may be two isolation transformers, where one is a delta/wye design (which provides the phase shift) and

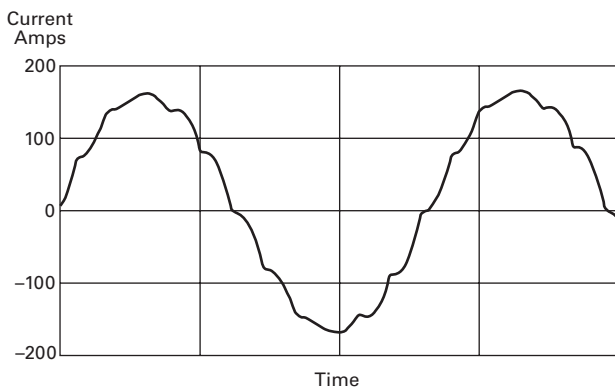
the second a delta/delta design (which does not phase shift). The 12-pulse arrangement allows the harmonics from the first converter to cancel the harmonics of the second. Up to approximately 85% reduction of harmonic current and voltage distortion may be achieved (over standard

six-pulse converter). This permits a facility to use a larger percentage of AFD loads under IEEE 519-2014 guidelines than allowable using line reactors or DC chokes. A harmonic analysis is required to guarantee compliance with guidelines.

Basic 12-Pulse Rectifier with "Phase Shifting" Transformer



100 hp 480 V Drive with 12-Pulse Rectifier



100 hp 480 V Drive with 12-Pulse Rectifier

12-Pulse Circuit

Current harmonics

$I_1 = 100\%$	$I_{11} = 4.19\%$	$I_{19} = 0.06\%$
$I_5 = 1.25\%$	$I_{13} = 2.95\%$	$I_{23} = 0.87\%$
$I_7 = 0.48\%$	$I_{17} = 0.21\%$	$I_{25} = 0.73\%$

Power = 100 hp

$H_c = 20$ Amps

Advantages

- Reasonable cost, although significantly more than reactors or chokes
- Substantial reduction (up to approx. 85%) in voltage and current harmonics
- Provides increased input protection for AFD and its semiconductors from line transients

Disadvantages

- Impedance matching of phase shifted sources is critical to performance
- Transformers often require separate mounting or larger AFD enclosures
- May not reduce distribution harmonic levels to below IEEE 519-2014 guidelines
- Cannot retrofit for most AFDs

4. 18-Pulse Converters

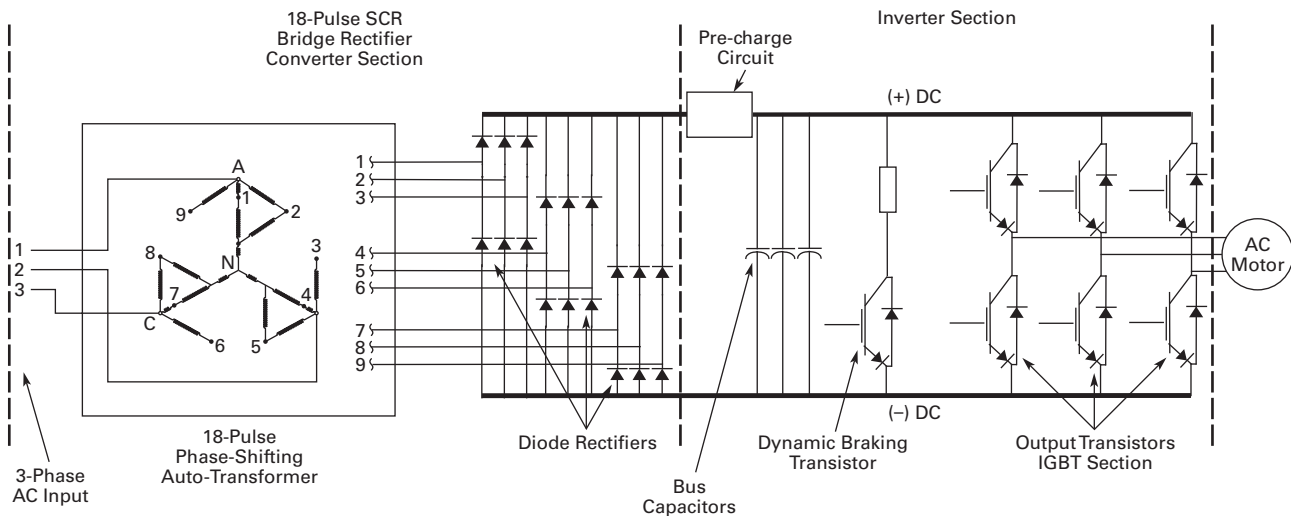
When the total load is comprised of non-linear load such as drives, and the ratio is I_{SC}/I_L , the greatest harmonic mitigation is required. Under these conditions, the currents drawn from the supply need to be sinusoidal and “clean” such that system interference and additional

losses are negligible. Eaton’s enclosed 18-pulse drive uses a phase-shifting auto-transformer with delta-connected winding that carries only the ampere-turns caused by the difference in load currents. This results in nine separate phases. In this type of configuration, the

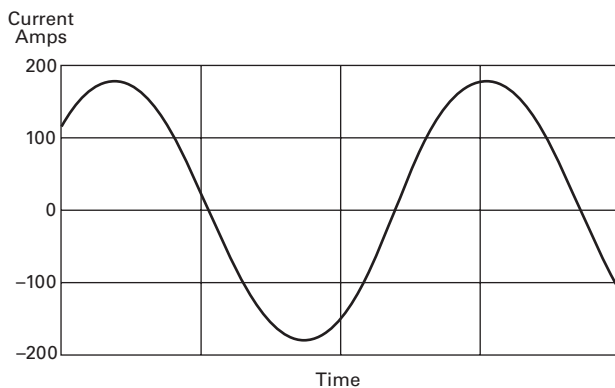
total kVA rating of the transformer magnetic system was only 48% that of the motor load. A traditional isolated transformer system, with multipulse windings, would require the full kVA rating to be supported, which is more common in an MV step-down transformer.

The integrated 18-pulse drive, with near sine wave input current and low harmonics will meet the requirements of IEEE 519-2014 under all practical operating conditions. The comparisons with six-pulse passive filter and 12-pulse systems are shown on **Pages V6-T2-299, V6-T2-301** and below.

Basic 18-Pulse Rectifier with Phase-Shifting Auto-Transformer



100 hp 480 V Drive with 18-Pulse Rectifiers



100 hp 480 V Drive with 18-Pulse Rectifiers

18-Pulse Clean Power

Current harmonics

$I_1 = 100\%$	$I_{11} = 0.24\%$	$I_{19} = 1.00\%$
$I_5 = 0.16\%$	$I_{13} = 0.10\%$	$I_{23} = 0.01\%$
$I_7 = 0.03\%$	$I_{17} = 0.86\%$	$I_{25} = 0.01\%$

Power = 100 hp

$H_c = 5.9$ Amps

Advantages

- Effectively guarantees compliance with IEEE 519-2014
- Provides increased input protection for AFD and its semiconductors from line transients
- Up to 4 times the harmonic reduction of 12-pulse methods
- Smaller transformer than isolation transformer used in 12-pulse converter
- Minimizes ripple current in capacitors, doubling expected capacitor life

Disadvantages

- Not as cost effective as some other methods at small (<50) horsepower

2.11

Adjustable Frequency Drives

Clean Power Drives

Enclosed Passive Filtered Drives

2



Contents

<i>Description</i>	<i>Page</i>
Clean Power Drives Overview	V6-T2-298
Enclosed Passive Filtered Drives	
EGX Enclosed Drives	V6-T2-305
CFX Enclosed Drives	V6-T2-325
Enclosed 12-Pulse Drives	V6-T2-351
Enclosed 18-Pulse Drives	V6-T2-355
Enclosed Regenerative Drives	V6-T2-379

EGF Enclosed Drives



EGF Enclosed Drives

Product Description

Eaton's Enclosed EGF Drives combine harmonic distortion reduction and true power factor performance with the latest in Eaton adjustable frequency drive technology to deliver an industry-leading solution. This pre-engineered passive filtered solution prevents transformer overheating and overloading of breakers and feeders, which enables the application of adjustable frequency drives on generators and other high impedance power systems.

Features and Benefits

- Tuned passive filter
- Delivers 5–8% THD
- Generator compatible
- Uses the same DG1, SVX or SPX drive that is stocked in the warehouse
- Simple to retrofit
- Provides a low-impedance path to ground for the harmonic frequencies
- Meets IEEE 519-2014
- Excellent cost for performance
- Small footprint, compact enclosure design
- Insensitive to voltage imbalance
- Customizable cover control options
- Padlockable disconnect
- The PowerXL DG1 comes standard with the following communication protocols:
 - EtherNet/IP
 - Modbus/TCP
 - Modbus RTU
 - BACnet MS/TP

Standards and Certifications

- UL 508C



Contents

Description

	<i>Page</i>
Clean Power Drives Overview	V6-T2-298
Enclosed Passive Filtered Drives	
EGF Enclosed Drives	
Product Identification	V6-T2-326
Catalog Number Selection	V6-T2-306
Production Selection	V6-T2-308
Enclosure Selection	V6-T2-309
Options	V6-T2-310
Technical Data and Specifications	V6-T2-311
Wiring Diagram	V6-T2-313
Dimensions	V6-T2-314
CFX Enclosed Drives	V6-T2-325
Enclosed 12-Pulse Drives	V6-T2-351
Enclosed 18-Pulse Drives	V6-T2-355
Enclosed Regenerative Drives	V6-T2-379

Communication Options

- PROFIBUS-DP
- LonWorks
- CANopen
- DeviceNet

Enclosure Ratings

- NEMA Type 1
- NEMA Type 12
- NEMA Type 3R

Mounting

- Wall mount
- Floor mount: 12-inch legs
- Floor mount: 22-inch legs

Product Range

- 480 V: 1–250 hp

2.11

Adjustable Frequency Drives

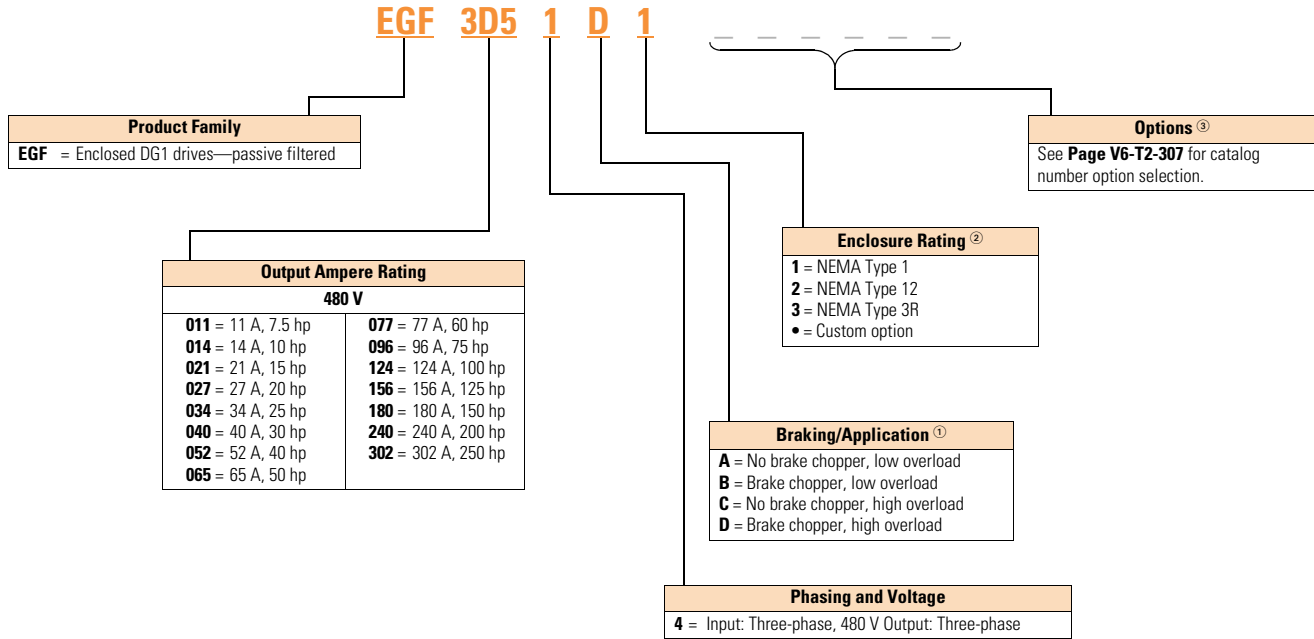
Clean Power Drives

Catalog Number Selection

Catalog Number Selection is for reference only. Not all option combinations may be available.

2

EGF Enclosed—Base Catalog Number



Notes

- ① Brake chopper is a factory-installed option only. Braking resistors sold separately. See DG1 drives starting on **Page V6-T2-59** for selection.
- ② Additional enclosure options including NEMA 4 and 4X are available. Please contact the factory for configuration and pricing.
- ③ Part number configuration continued on the following page.

Catalog Number Selection is for reference only. Not all option combinations may be available.

EGF Enclosed—Catalog Number Options

EGF 3D5 1 D 1

Base Catalog Number Example

See **Page V6-T2-306** for base catalog number selection.

Power Disconnect Options

- 0 = None
- 1 = MCP disconnect ^①
- 2 = Circuit breaker
- 3 = Circuit breaker/isolation fusing
- 5 = Circuit breaker/isolation fusing/SPD
- 8 = Circuit breaker/SPD
- A = Fused disconnect
- B = Fused disconnect/SPD
- E = Isolation fuses
- G = Isolation fuses/SPD
- = Custom option ^②

Bypass Options ^③

- 0 = None
- 1 = Manual HOA bypass
- 2 = Manual HOA bypass/isolation fusing
- 4 = Manual HOA bypass/isolation fusing/SPD
- 7 = Manual HOA bypass/SPD
- H = Manual HOA RVSS bypass
- J = Manual HOA RVSS bypass/isolation fusing
- L = Manual HOA RVSS bypass/isolation fusing/SPD
- P = Manual HOA RVSS bypass/SPD
- = Custom option ^②

Output Power Options ^④

- 0 = None
- A = Output contactor
- B = 3% Output reactor
- D = dV/dt filter
- E = 3% Output Reactor/output contactor
- G = dV/dt/output contactor
- = Custom option ^②

Control Options ^⑤

- 0 = None
- 1 = Speed pot
- 2 = Start-stop pushbutton
- 3 = Start-stop pushbutton with speed pot
- A = HOA switch
- B = Start-stop pushbutton with speed pot & HOA switch
- C = Start-stop pushbutton with HOA switch
- D = HOA switch with speed pot
- = Custom option ^②

Option Boards 2

Same options and codes as Option Boards 1

Option Boards 1

- 0 = No option
- 1 = 3 x DI, 3 x DO, 1 Thermistor, 24 Vdc/EXT
- 2 = 1 x AI, 2 x AO (isolated to control board)
- 3 = 3 x relay dry contact (2NO + 1NO/NC)
- 4 = 3 x PT100 RTD thermistor input
- 5 = 6 DI 240 Vac input
- = Custom option ^②

Communication Options

- 0 = No option
- 1 = PROFIBUS-DP
- 3 = CANopen (slave)
- 4 = DeviceNet
- 5 = PROFIBUS-DP (D9 connector)
- D = SmartWire-DT
- = Custom option ^②

Enclosure Options

- 0 = None
- 1 = Floor stand—12 inches
- 2 = Floor stand—22 inches
- A = Space heater
- B = Space heater & 12-inch floor stands
- C = Space heater & 22-inch floor stands
- = Custom option ^②

Light Options ^⑤

- 0 = None
- 1 = Non-bypass light kit—Power On, Run, Fault
- 2 = Bypass light kit—On, VFD Run, Fault, Bypass Run
- = Custom option ^②

Notes

- ① HMCP disconnect option required and only available when bypass is selected.
- ② More options are available as Engineered to Order through the Bid Manager tool.
- ③ All bypass options include third contactor for drive isolation when in bypass mode.
- ④ Output contactor not available with bypass. Bypass comes standard with output contactor.
- ⑤ Pilot devices are 22 mm standard. 30 mm options are available as engineered to order through the Bid Manager tool.

Production Selection

2

EGF Enclosed Drive



480 V Drives—Constant Torque (CT)/High Overload (IH) Enclosed Drives

hp	Current (A)	Drive Frame Size	NEMA Type 1 Base Catalog Number ①	NEMA Type 12 Base Catalog Number ①	NEMA Type 3R Base Catalog Number ①
7.5	11	2	EGF0114D1	EGF0114D2	EGF0114D3
10	14	2	EGF0144D1	EGF0144D2	EGF0144D3
15	21	2	EGF0214D1	EGF0214D2	EGF0214D3
20	27	3	EGF0274D1	EGF0274D2	EGF0274D3
25	34	3	EGF0344D1	EGF0344D2	EGF0344D3
30	40	3	EGF0404D1	EGF0404D2	EGF0404D3
40	52	4	EGF0524C1	EGF0524C2	EGF0524C3
50	65	4	EGF0654C1	EGF0654C2	EGF0654C3
60	77	4	EGF0774C1	EGF0774C2	EGF0774C3
75	96	5	EGF0964C1	EGF0964C2	EGF0964C3
100	124	5	EGF1244C1	EGF1244C2	EGF1244C3
125	156	5	EGF1564C1	EGF1564C2	EGF1564C3
150 ②	180	6	EGF1804C1 ②	EGF1804C2 ②	EGF1804C3 ②
200 ②	240	6	EGF2404C1 ②	EGF2404C2 ②	EGF2404C3 ②

EGF Enclosed Drive



480 V Drives—Variable Torque (VT)/Low Overload (IL) Enclosed Drives

hp	Current (A)	Drive Frame Size	NEMA Type 1 Base Catalog Number ①	NEMA Type 12 Base Catalog Number ①	NEMA Type 3R Base Catalog Number ①
7.5	11	1	EGF0114B1	EGF0114B2	EGF0114B3
10	14	2	EGF0144B1	EGF0144B2	EGF0144B3
15	21	2	EGF0214B1	EGF0214B2	EGF0214B3
20	27	2	EGF0274B1	EGF0274B2	EGF0274B3
25	34	3	EGF0344B1	EGF0344B2	EGF0344B3
30	40	3	EGF0404B1	EGF0404B2	EGF0404B3
40	52	3	EGF0524B1	EGF0524B2	EGF0524B3
50	65	4	EGF0654A1	EGF0654A2	EGF0654A3
60	77	4	EGF0774A1	EGF0774A2	EGF0774A3
75	96	4	EGF0964A1	EGF0964A2	EGF0964A3
100	124	5	EGF1244A1	EGF1244A2	EGF1244A3
125	156	5	EGF1564A1	EGF1564A2	EGF1564A3
150	180	5	EGF1804A1	EGF1804A2	EGF1804A3
200 ②	240	6	EGF2404A1 ②	EGF2404A2 ②	EGF2404A3 ②
250 ②	302	6	EGF3024A1 ②	EGF3024A2 ②	EGF3024A3 ②

Notes

- ① Table is for base catalog number reference only. For complete catalog number selection, see **Page V6-T2-306**.
- ② Available in 2017.

Enclosure Selection

EGF Enclosed Drives

Enclosure selection charts are based on physical space limitations only and only to be used as a reference. For actual enclosure sizing, refer to Bid Manager.

Note: Filtered enclosure sizing includes dedicated space for passive filter, input fuses, circuit breaker or fusible disconnect, CPT, SPD, heater/thermostat, control relay and terminal blocks.

Filtered Enclosure X-Space

Enclosure Size	Frame 1	Frame 2	Frame 3	Frame 4	Frame 5
AX	—	—	—	—	—
BX	0	0	—	—	—
CX	3	3	2	2	—
DX	14	14	13	13	10

Filtered Power Options X-Space

Power Options	Frame 1	Frame 2	Frame 3	Frame 4	Frame 5
3% Output reactor	1	1	3	5	6
dV/dt filter	3	3	3	5	6
Output contactor	1	1	1	1	1

Note: Filtered bypass enclosure sizing includes dedicated space for a passive filter, input fuses, MCP, CPT, input contactor, output bypass contactors, overload relay, SPD, heater/thermostat, control relay and terminal blocks.

Filtered Bypass Enclosure X-Space

Enclosure Size	Frame 1	Frame 2	Frame 3	Frame 4	Frame 5
AX	—	—	—	—	—
BX	—	—	—	—	—
CX	2	1	0	—	—
DX	13	12	11	10	6

Filtered Bypass Power Options X-Space

Power Options	Frame 1	Frame 2	Frame 3	Frame 4	Frame 5
RVSS Bypass	1	1	3	5	6
3% Output reactor	2	2	2	3	4
dV/dt filter	3	3	3	5	6

Accessories

The PowerXL Series—DG1 drives can accommodate a wide selection of expander and adapter option boards to customize the drive for your application needs. The drive's control unit is designed to accept a total of two additional option boards.

The PowerXL Series—DG1 drives come with a factory-installed standard board configuration including the following:

- Standard I/O:
 - 8DI, 1DO
 - 2AI, 2AO
 - 2FC, 1FA relays
- Standard communications:
 - EtherNet/IP, Modbus TCP
 - RS-485: Modbus RTU, BACnet MS/TP

PowerXL Series—DG1 I/O Card Kits

Description	Catalog Number
3 x DI, 3 x DO, 1 x thermistor, 24 Vdc/EXT option card	DXG-EXT-3DI3DO1T
1 x AI, 2 x AO (isolated to control board) option card	DXG-EXT-1AI2AO
3 x relay dry contact (2NO + 1NO/NC) option card	DXG-EXT-3RO
3 x PT100 RTD thermistor input option card	DXG-EXT-THER1
6 x DI 240 Vac input option card	DXG-EXT-6DI

PowerXL Series—DG1 Communication Card Kits

Description	Catalog Number
PROFIBUS-DP communication card	DXG-NET-PROFB
CANopen communication card	DXG-NET-CANOPEN
DeviceNet communication card	DXG-NET-DEVICENET
PROFIBUS DB9 to 5-pin adapter card	DXG-NET-PROAD
SmartWire communication card and module	DXG-NET-SWD ^①

Note

^① Available January 2017.

Options

2

Input Power Options

Option	Description
HMCP Disconnect	The HMCP motor protection circuit breaker uses an electronic trip unit to provide typical motor overload relay functionality and short-circuit protection against potential phase-to-phase or phase-to-ground faults.
Circuit Breaker	Utilizes a circuit breaker to provide a means of short-circuit protection for the power cables between it and the drive, and protection from high-level ground faults on the power cable. Allows a convenient means of disconnecting the drive from the line, and the operating mechanism can be padlocked in the OFF position. This is factory mounted in the enclosure.
Isolation Fusing	Provides high-level fault protection of the drive input power circuit from the load side of the fuses to the input side of the power transistors. This option consists of three 200 kA fuses that are factory mounted in the enclosure.
3% Input Reactor	The input reactor is a three-phase series inductance on the line side of an AFD. It is used to provide a reduction in voltage and current harmonics. It also provides increased input protection for AFD and its semiconductors from line transients.
SPD	Provides a UL 1449 surge protection device (SPD) rated for 40 kA/ph that is connected to the line side terminals.
Fused Disconnect	Utilizes fusing to provide a means of short-circuit protection for the power cables between it and the drive, and protection from high-level ground faults on the power cable. Allows a convenient means of disconnecting the drive from the line, and the operating mechanism can be padlocked in the OFF position. This is factory mounted in the enclosure.

Bypass Options

Option	Description
Manual HOA Bypass	Provides a three-position selector switch that allows the user to select either a HAND or AUTO mode of operation. HAND mode is defaulted keypad operation, and AUTO mode is defaulted to control from an external terminal source. These modes of operation can be configured via programming to allow for alternate combinations of start and speed sources. Start and speed sources include keypad, I/O and fieldbus.
Manual HOA RVSS Bypass	This option adds a reduced voltage soft starter to bypass assembly for soft starting in bypass mode.

Output Power Options

Option	Description
Output Contactor	Provides a means for positive disconnection of the drive output from the motor terminals. The contactor coil is controlled by the drive's run or permissive logic. NC and NO auxiliary contacts rated at 10 A, 600 Vac are provided for customer use. This option includes a low VA 115 Vac fused control power transformer and is factory mounted in the enclosure.
3% Output Reactor	The output reactor is a three-phase series inductance on the load side of a VFD. It is used to reduce transient voltage (dv/dt) and peak voltages at the motor terminals. A 3% output filter is recommended for motor cable lengths up to 300 ft (10 m).
dV/dt Filter	Used to reduce the transient voltage (dV/dt) at the motor terminals. Recommended for motor cable lengths over 300 ft (10 m) and up to 1000 ft (304.8 m). This option is mounted in the enclosure.

Control Options

Option	Description
Speed Pot	Provides the ability to adjust the frequency reference using a door-mounted potentiometer. This option uses the 10 Vdc reference to generate a 0–10 V signal at the analog voltage input signal terminal. When the HOA bypass option is added, the speed is controlled when the HOA switch is in the HAND position. Without the HOA bypass option, a two-position switch (labeled local/remote) is provided on the keypad to select speed reference from the speed potentiometer or a remote speed signal.
HOA Switch	Provides a three-position selector switch that allows the user to select either a HAND or AUTO mode of operation. HAND mode is defaulted to keypad operation, and AUTO mode is defaulted to control from an external terminal source. These modes of operation can be configured via drive programming to allow for alternate combinations of start and speed sources. Start and speed sources include Keypad, I/O and fieldbus.
Start-Stop Pushbutton	Provides door-mounted START and STOP pushbuttons for either bypass or non-bypass configurations.

Light Options

Option	Description
Non-Bypass Light Kit—Power On, Run, Fault	Provides a white POWER ON light that indicates power to the enclosed cabinet, a green RUN light that indicates the drive is running and a red FAULT light that indicates a drive fault has occurred.
Bypass Light Kit—On, VFD Run, Fault, Bypass Run	Provides a white POWER ON light that indicates power to the enclosed cabinet, a green RUN light that indicates the drive is running, a red FAULT light that indicates a drive fault has occurred and an amber light that indicates when the motor is running in Bypass mode.

Enclosure Options

Option	Description
Floor Stand 12 in	Converts a normally wall-mounted enclosure to a floor-standing enclosure with a height of 12 in (304.8 mm).
Floor Stand 22 in	Converts a normally wall-mounted enclosure to a floor-standing enclosure with a height of 22 in (558.8 mm).

Technical Data and Specifications

PowerXL Series—DG1 Technical Data and Specifications

Attribute	Description	Specification	
Input ratings	Input voltage U_{in}	208 V, 230 V, 480 V, 575 V, –15 to 10%	
	Input frequency	50 Hz to 60 Hz (variation up to 45 Hz to 66 Hz)	
	Connection to power	Once per minute or less	
	Starting delay	3 s (FR1 to FR2), 4 s (FR3), 5 s (FR4), 6 s (FR5 and FR6)	
	Short-circuit withstand rating	100 kAIC (fuses and circuit breakers)	
Output ratings	Output voltage	0 to U_{in}	
	Output current	I_L : ambient temperature maximum 40 °C, up to 60 °C with derating, overload 1.1 x I_L (1 min./10 min.) I_H : ambient temperature maximum 50 °C, up to 60 °C with derating, overload 1.5 x I_H (1 min./10 min.)	
	Initial output current	200% (2 s / 20 s)	
	Output frequency	0–400 Hz (standard)	
	Frequency resolution	0.01 Hz	
Control characteristics	Control methods	Frequency control Speed control Open-loop speed control Open-loop torque control	
	Switching frequency	230 V / 480 V range: FR1–3: 1 kHz to 12 kHz FR4–6: 1 kHz to 10 kHz 230 V / 480 V defaults: FR1–3: 4 kHz FR4–5: 3.6 kHz FR6: 2 kHz 575 V range: FR1–6: 1 kHz to 6 kHz 575 V defaults: FR1–4: 3 kHz FR5–6: 2 kHz Automatic switching frequency derating in case of overload.	
	Frequency reference	Analog input: resolution 0.1% (10-bit), accuracy +1% Analog output: resolution 0.1% (10-bit), accuracy +1% Panel reference: resolution 0.01 Hz	
	Field weakening point	20 Hz to 400 Hz	
	Acceleration time	0.1 s to 3000 s	
	Deceleration time	0.1 s to 3000 s	
	Braking torque	DC brake: 30% x Motor Rated Torque (T_n) (without brake chopper) Dynamic braking (with optional brake chopper using an external brake resistor): 100% continuous maximum rating	
	Ambient conditions	Ambient operating temperature	–10 °C (no frost) to +40 °C
		Storage temperature	–40 °C to +70 °C
		Relative humidity	0–95% RH, noncondensing, non-corrosive
Air quality: • Chemical vapors • Mechanical particles		Tested according to IEC 60068-2-60 Test Key: Flowing mixed gas corrosion test, Method 1 (H ₂ S [hydrogen sulfide] and SO ₂ [sulfur dioxide]) Designed according to: IEC 60721-3-3, unit in operation, class 3C2 IEC 60721-3-3, unit in operation, class 3S2	
Altitude		100% load capacity (no derating) up to 3280 ft (1000 m); 1% derating for each 328 ft (100 m) above 3280 ft (1000 m); max. 9842 ft (3000 m) (2000 m for corner grounded earth main systems) For 575 V product, maximum altitude is 6561 ft (2000 m) regardless of main system	

PowerXL Series—DG1 Technical Data and Specifications, continued

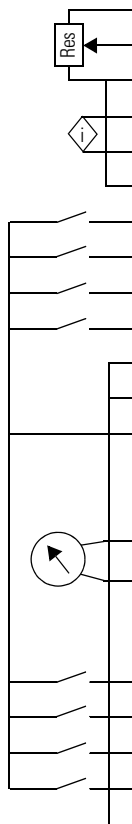
Attribute	Description	Specification
2 Ambient conditions, continued	Overvoltage	Overvoltage Category III
	Pollution degree	Pollution Degree 2
	Enclosure class	NEMA Type 1, 12, 3R
	Immunity	Fulfills EN 61800-3 (2004), first and second environment
Standards	Safety	UL 508C, EN 61800-5-1
	Approvals	UL and cUL
Fieldbus connections		Onboard: EtherNet/IP, Modbus® TCP, Modbus RTU, BACnet
Safety/protections	Overvoltage protection	Yes
	Overvoltage trip limit	230 V drives: 456 V 480 V drives: 911 V 575 V drives: 1100 V
	Undervoltage protection	Yes
	Undervoltage trip limit	230 V drives: 211 V 480 V drives: 370 V 575 V drives: 550 V
	Earth fault protection	Yes Default: 15% motor FLA Minimum: 0% motor FLA Maximum: 30% motor FLA
	Input phase supervision	Yes
	Motor phase supervision	Yes
	Overcurrent protection	Yes
	Unit overtemperature protection	Yes
	Motor overload protection	Yes
	Motor stall protection	Yes
	Motor underload protection	Yes
	DC bus overvoltage control	Yes
	Short-circuit protection of 24 V reference voltages	Yes
	Surge protection	Yes (differential mode 2 kV; common mode 4 kV 230 V drives: 275 Vac, 10,000 A 480 V drives: 320 Vac, 8000 A 575 V drives: 385 Vac, 10,000 A
	Common coated boards	Yes (prevents corrosion)
Efficiency	Drive efficiency ratings ①	480 V: FR1 = 97.7% FR2 = 97.9% FR3 = 97.7% FR4 = 98.0% FR5 = 98.2%
		230 V: FR1 = 96.7% FR2 = 97.4% FR3 = 97.2% FR4 = 97.4% FR5 = 97.7%

Note

① Based on DG1 efficiency ratings in an enclosure with no options.

Wiring Diagram

PowerXL Series—DG1 Control Wiring Diagram



Pin	Signal Name	Signal	Default Setting	Description
1	+10 V	Ref. Output Voltage	—	10 Vdc Supply Source
2	AI1+	Analog Input 1	0–10 V	Voltage Speed Reference (Programmable to 4 mA to 20 mA)
3	AI1–	Analog Input 1 Ground	—	Analog Input 1 Common (Ground)
4	AI2+	Analog Input 2	4 mA to 20 mA	Current Speed Reference (Programmable to 0–10 V)
5	AI2–	Analog Input 2 Ground	—	Analog Input 2 Common (Ground)
6	GND	I/O Signal Ground	—	I/O Ground for Reference and Control
7	DIN5	Digital Input 5	Preset Speed B0	Sets frequency output to Preset Speed 1
8	DIN6	Digital Input 6	Preset Speed B1	Sets frequency output to Preset Speed 2
9	DIN7	Digital Input 7	Emergency Stop (TI–)	Input forces VFD output to shut off
10	DIN8	Digital Input 8	Force Remote (TI+)	Input takes VFD from Local to Remote
11	CMB	DI5 to DI8 Common	Grounded	Allows source input
12	GND	I/O Signal Ground	—	I/O Ground for Reference and Control
13	24 V	+24 Vdc Output	—	Control voltage output (100 mA max.)
14	DO1	Digital Output 1	Ready	Shows the drive is ready to run
15	24 Vo	+24 Vdc Output	—	Control voltage output (100 mA max.)
16	GND	I/O Signal Ground	—	I/O Ground for Reference and Control
17	AO1+	Analog Output 1	Output Frequency	Shows Output frequency to motor 0–60 Hz (4 mA to 20 mA)
18	AO2+	Analog Output 2	Motor Current	Shows Motor current of motor 0–FLA (4 mA to 20 mA)
19	24 Vi	+24 Vdc Input	—	External control voltage input
20	DIN1	Digital Input 1	Run Forward	Input starts drive in forward direction (start enable)
21	DIN2	Digital Input 2	Run Reverse	Input starts drive in reverse direction (start enable)
22	DIN3	Digital Input 3	External Fault	Input causes drive to fault
23	DIN4	Digital Input 4	Fault Reset	Input resets active faults
24	CMA	DI1 to DI4 Common	Grounded	Allows source input
25	A	RS-485 Signal A	—	Fieldbus Communication (Modbus, BACnet)
26	B	RS-485 Signal B	—	Fieldbus Communication (Modbus, BACnet)
27	R3NO	Relay 3 Normally Open	At Speed	Relay output 3 shows VFD is at Ref. Frequency
28	R1NC	Relay 1 Normally Closed	Run	Relay output 1 shows VFD is in a run state
29	R1CM	Relay 1 Common		
30	R1NO	Relay 1 Normally Open		
31	R3CM	Relay 3 Common	At Speed	Relay output 3 shows VFD is at Ref. Frequency
32	R2NC	Relay 2 Normally Closed	Fault	Relay output 2 shows VFD is in a fault state
33	R2CM	Relay 2 Common		
34	R2NO	Relay 2 Normally Open		

2.11

Adjustable Frequency Drives

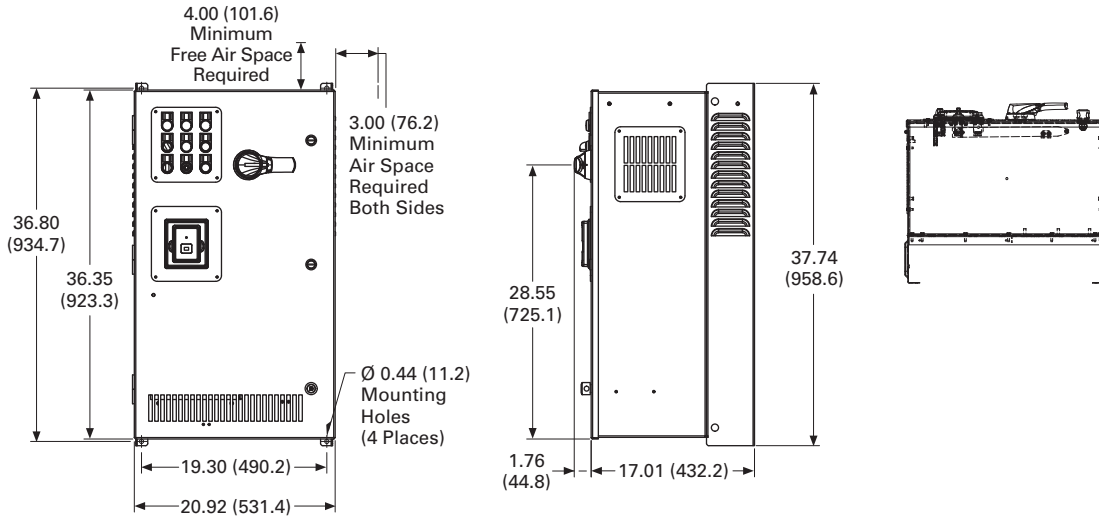
Clean Power Drives

Dimensions

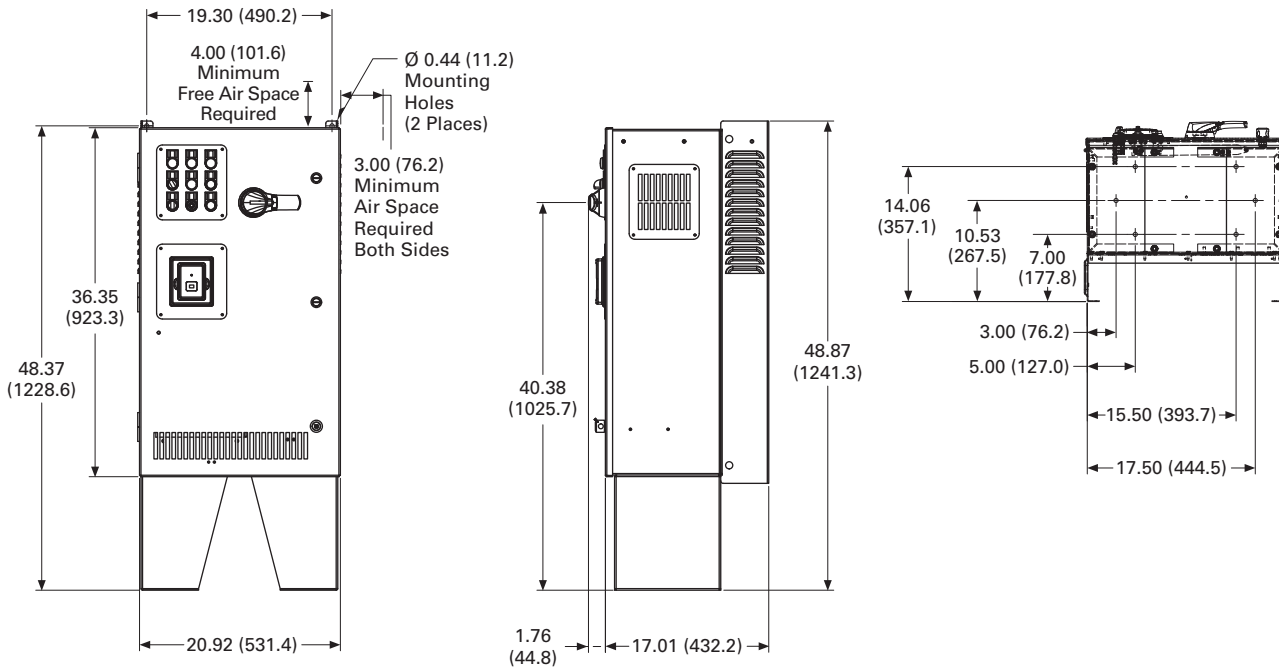
Approximate Dimensions in Inches (mm)

2

BX Box Type 1

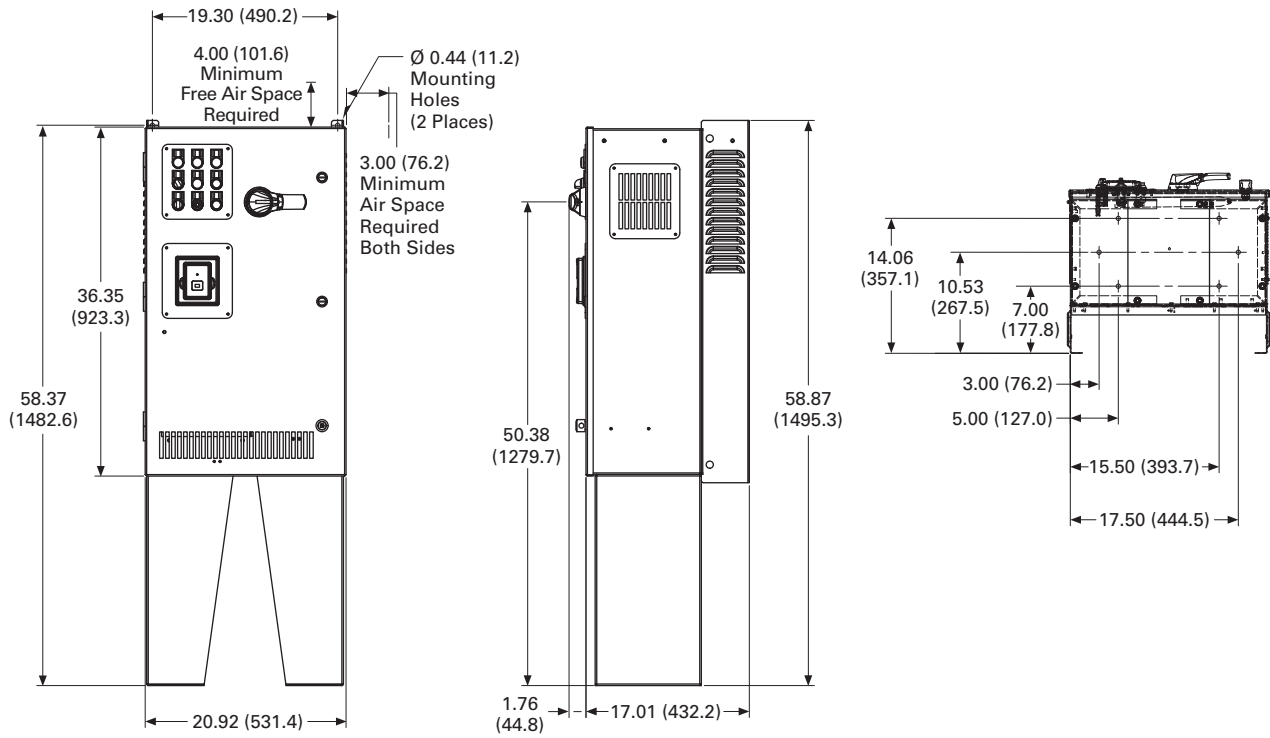


BX Box Type 1—12 Inch Floor Stands

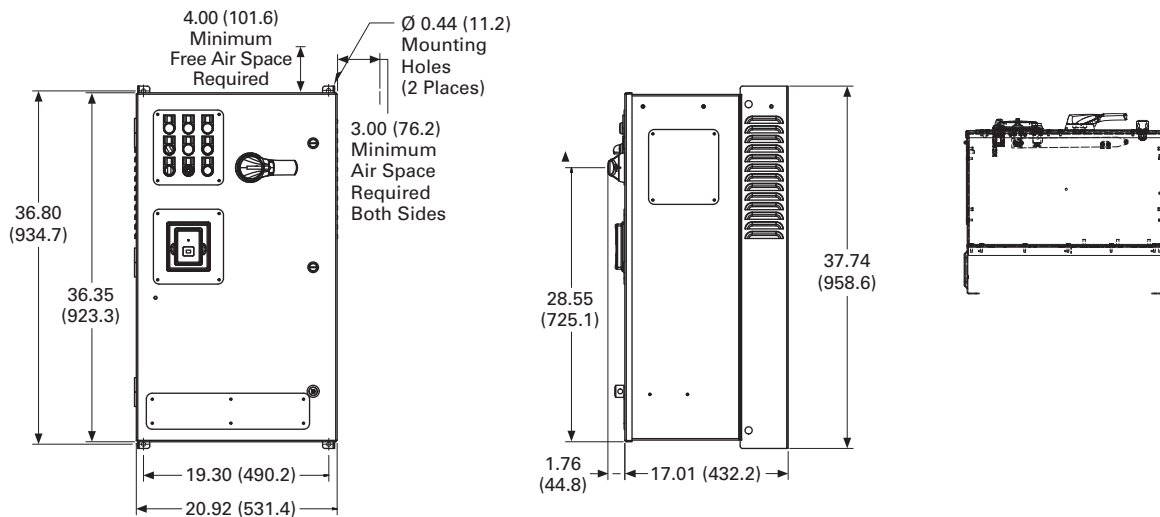


Approximate Dimensions in Inches (mm)

BX Box Type 1—22 Inch Floor Stands



BX Box Type 12



2.11

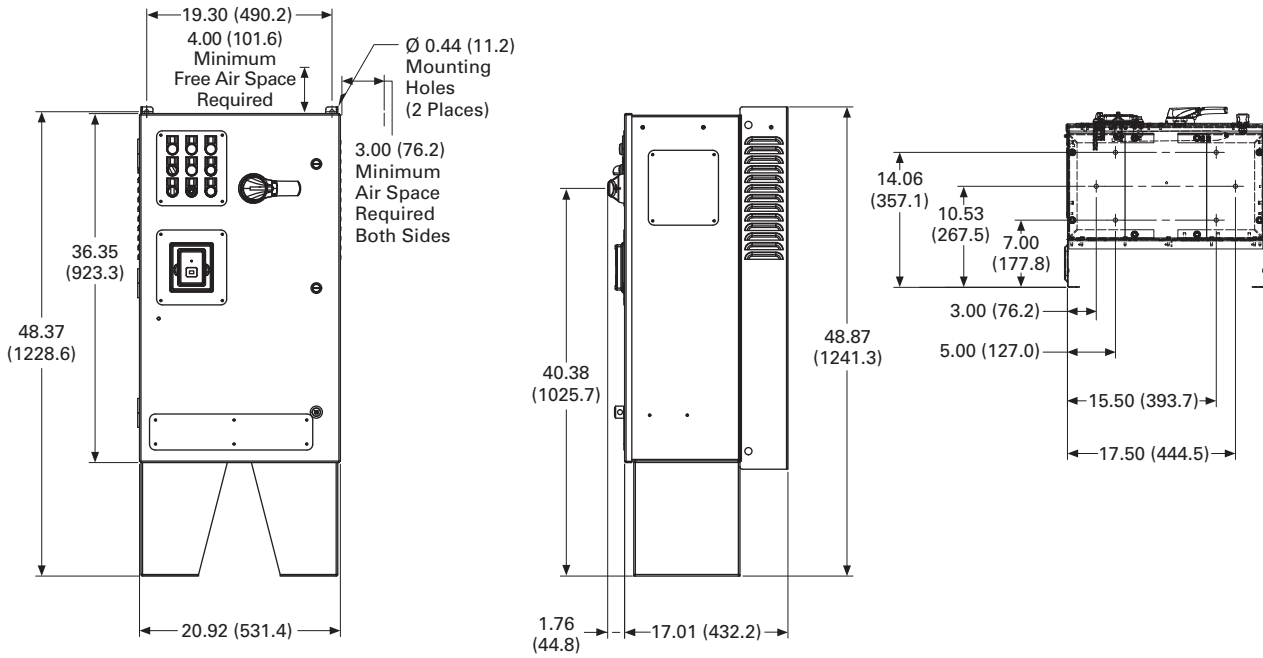
Adjustable Frequency Drives

Clean Power Drives

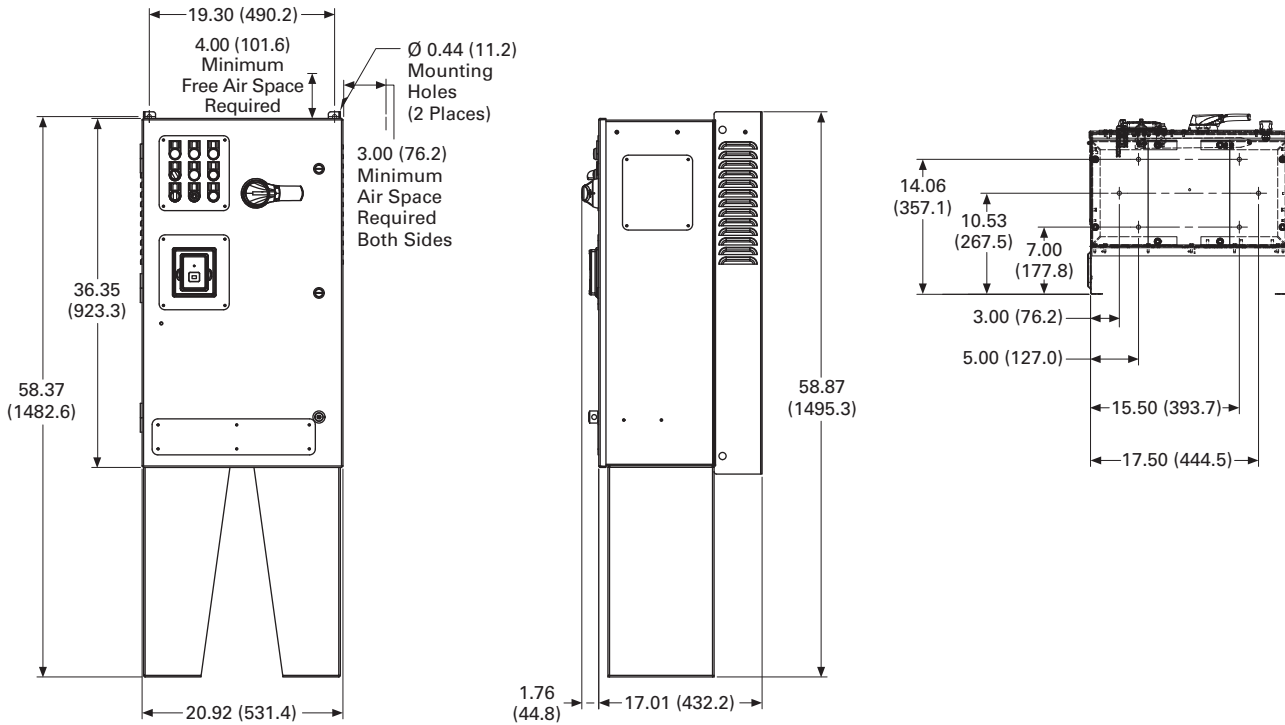
Approximate Dimensions in Inches (mm)

2

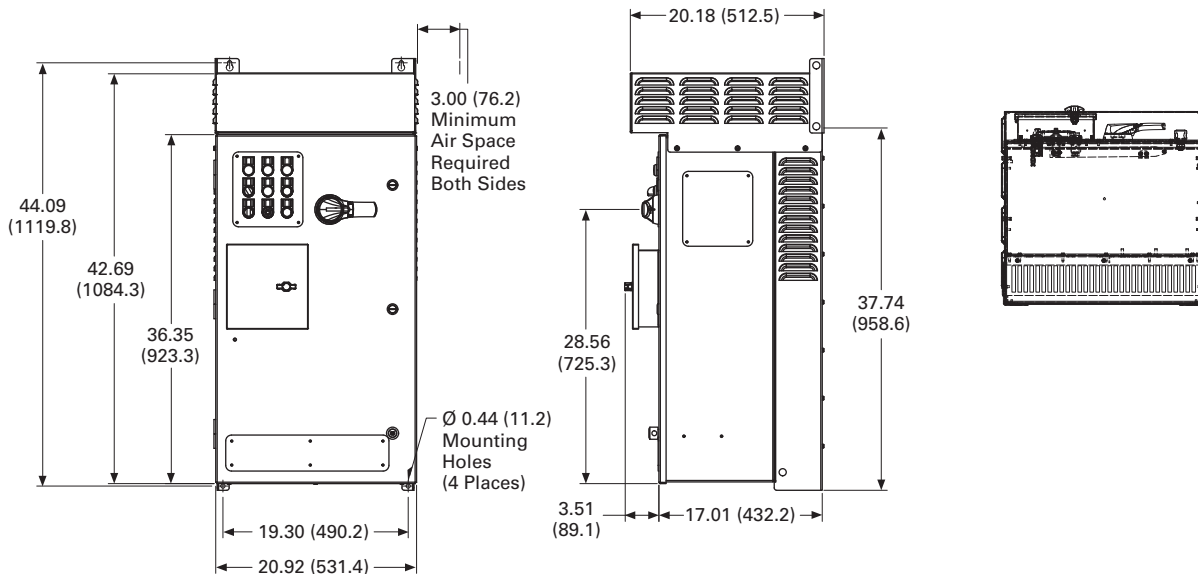
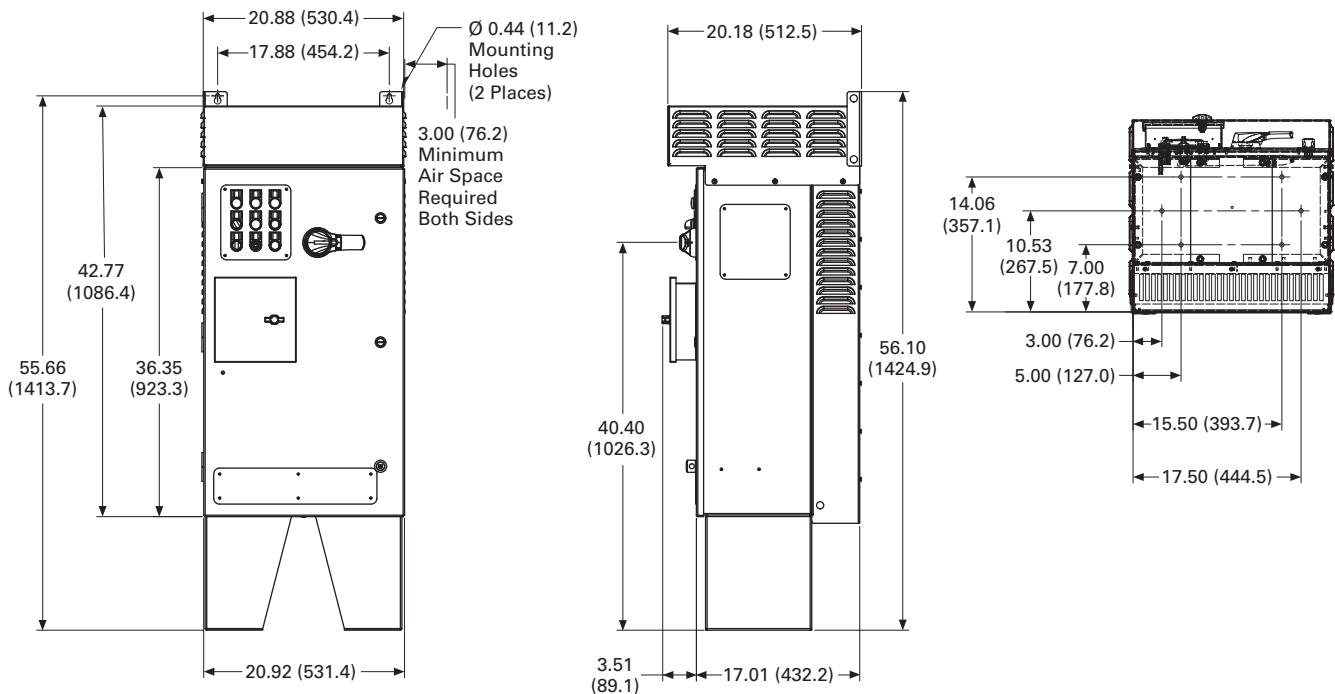
BX Box Type 12—12 Inch Floor Stands



BX Box Type 12—22 Inch Floor Stands



Approximate Dimensions in Inches (mm)

BX Box Type 3R**BX Box Type 3R—12 Inch Floor Stands**

2.11

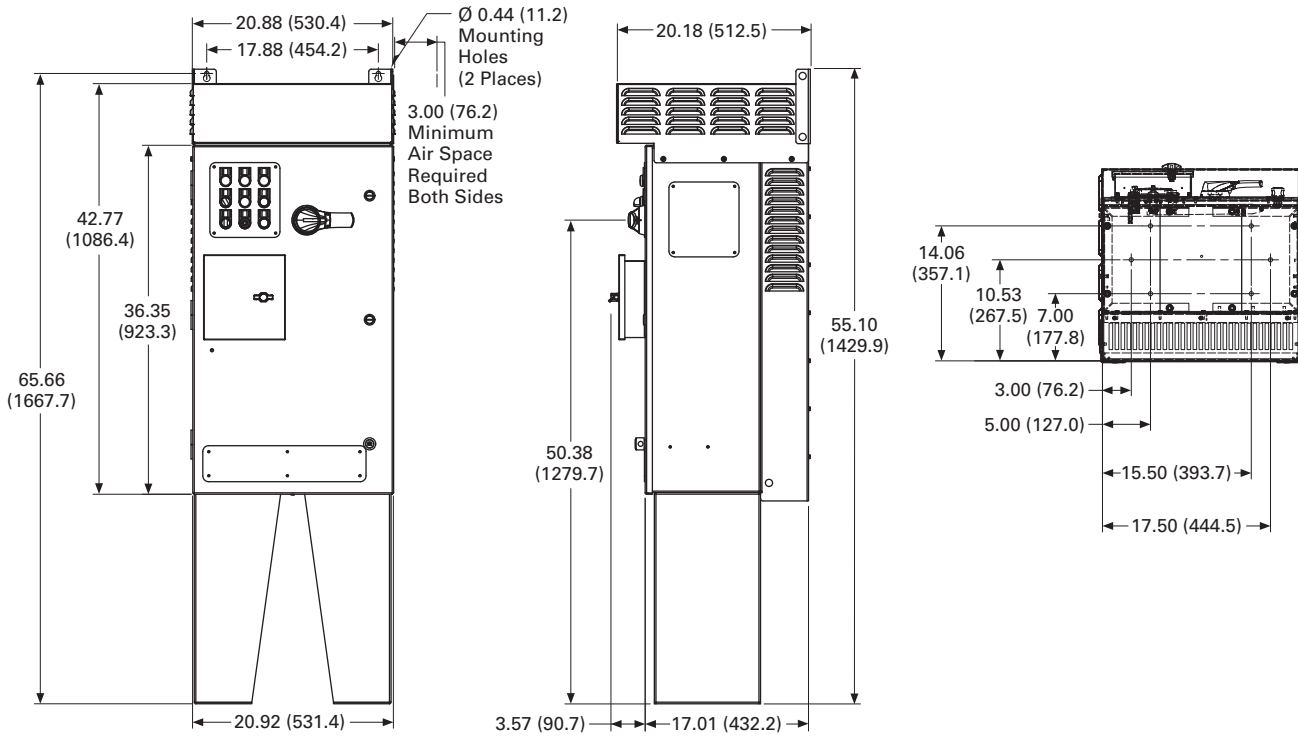
Adjustable Frequency Drives

Clean Power Drives

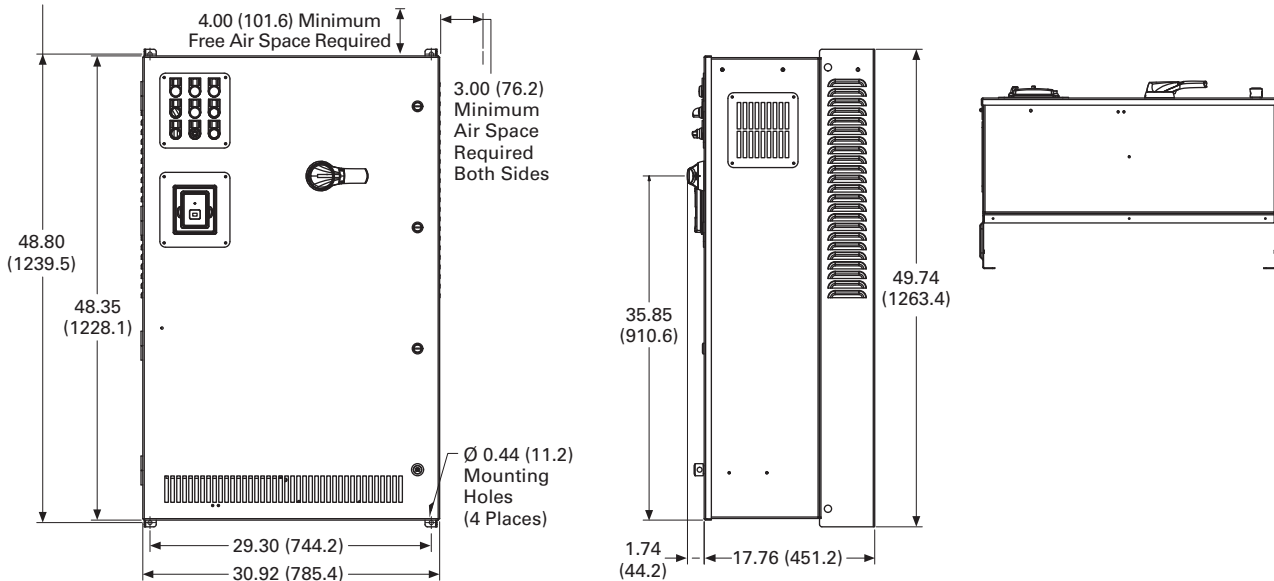
Approximate Dimensions in Inches (mm)

BX Box Type 3R—22 Inch Floor Stands

2

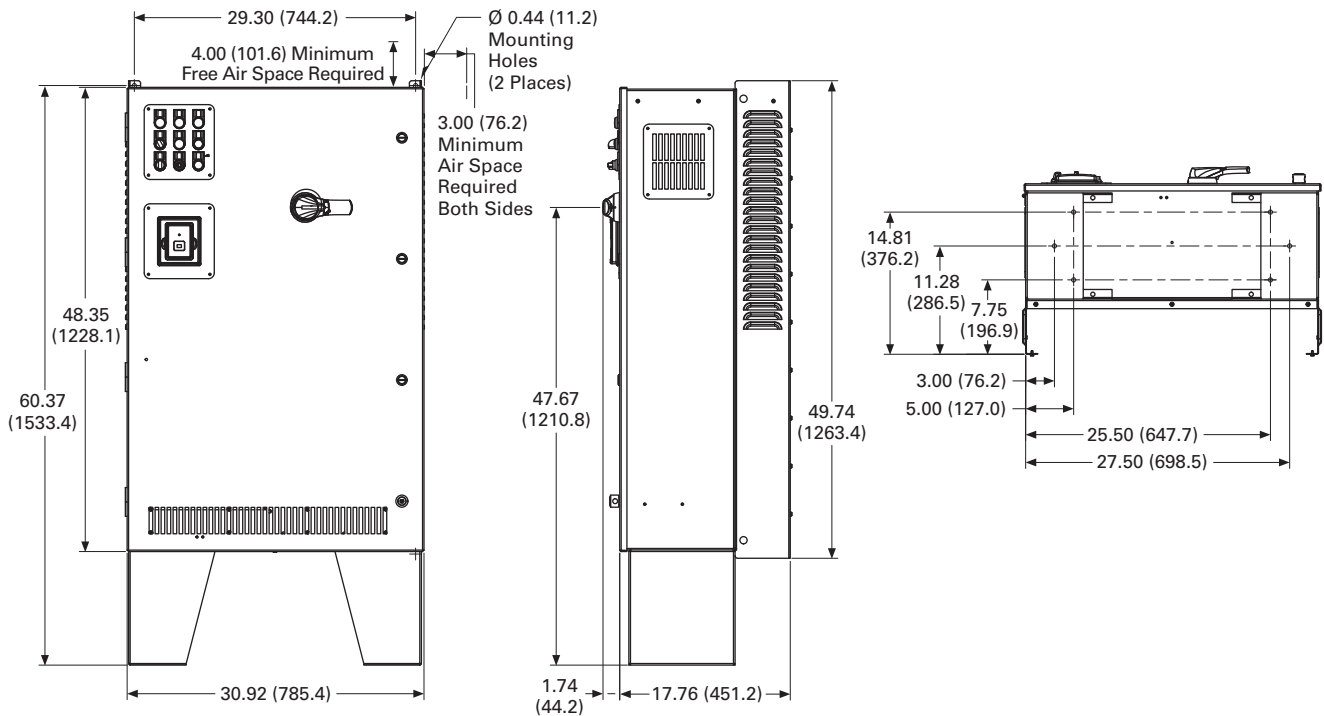


CX Box Type 1

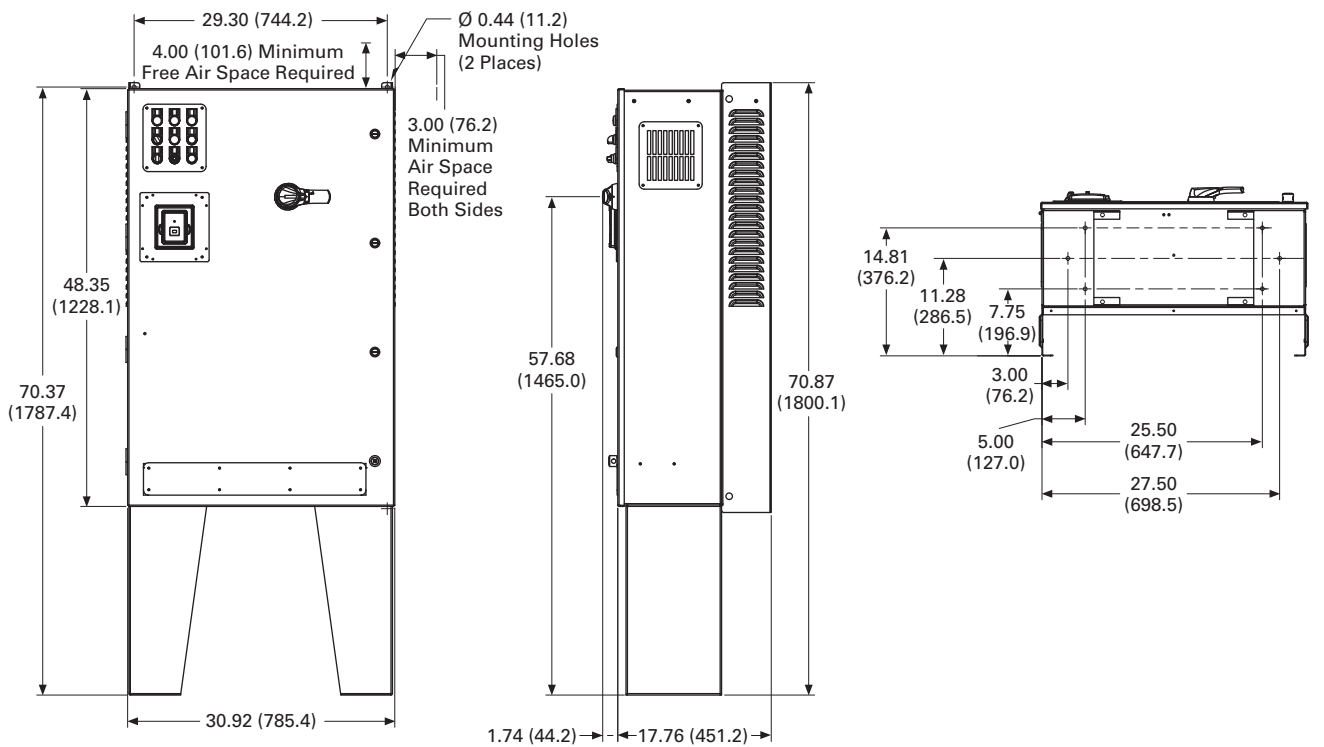


Approximate Dimensions in Inches (mm)

CX Box Type 1—12 Inch Floor Stands



CX Box Type 1—22 Inch Floor Stands



2.11

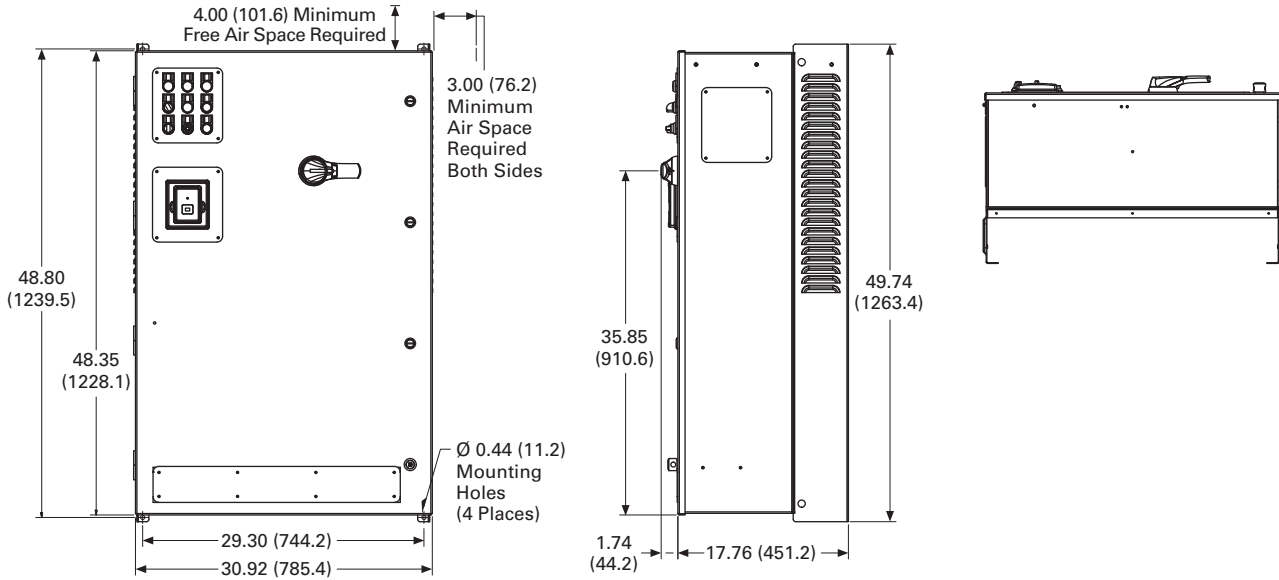
Adjustable Frequency Drives

Clean Power Drives

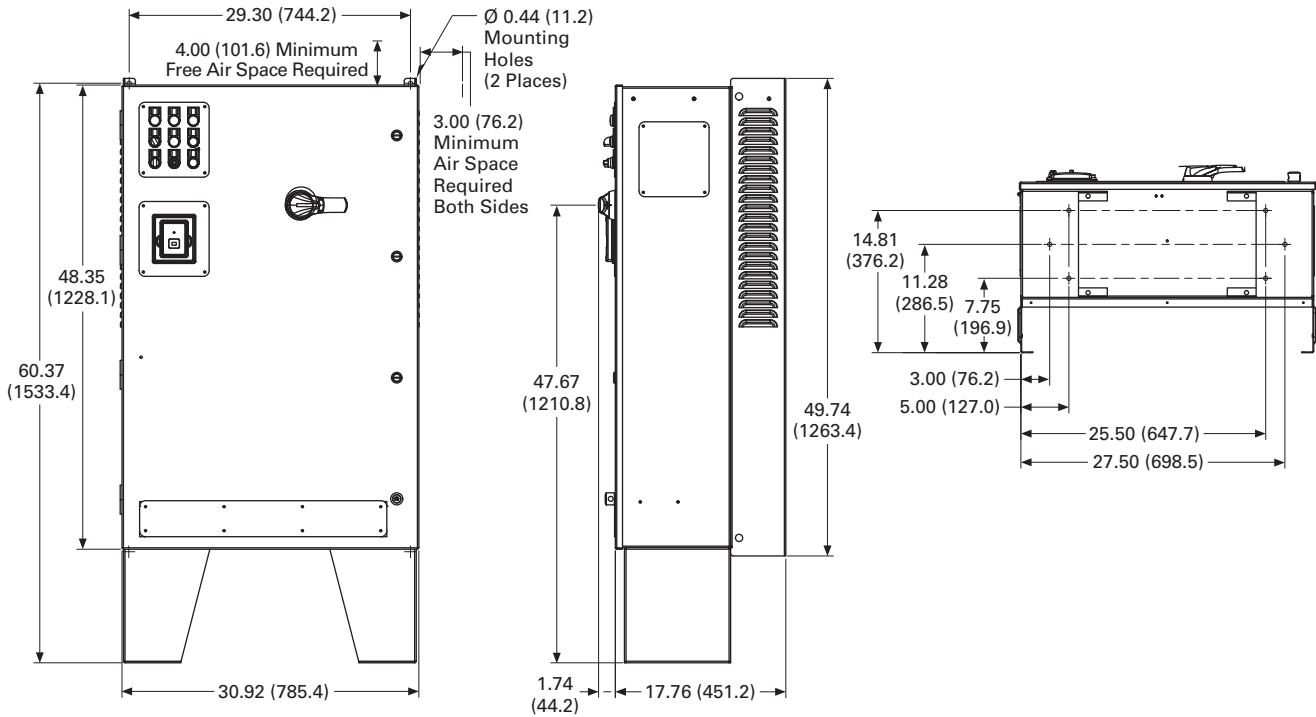
Approximate Dimensions in Inches (mm)

2

CX Box Type 12

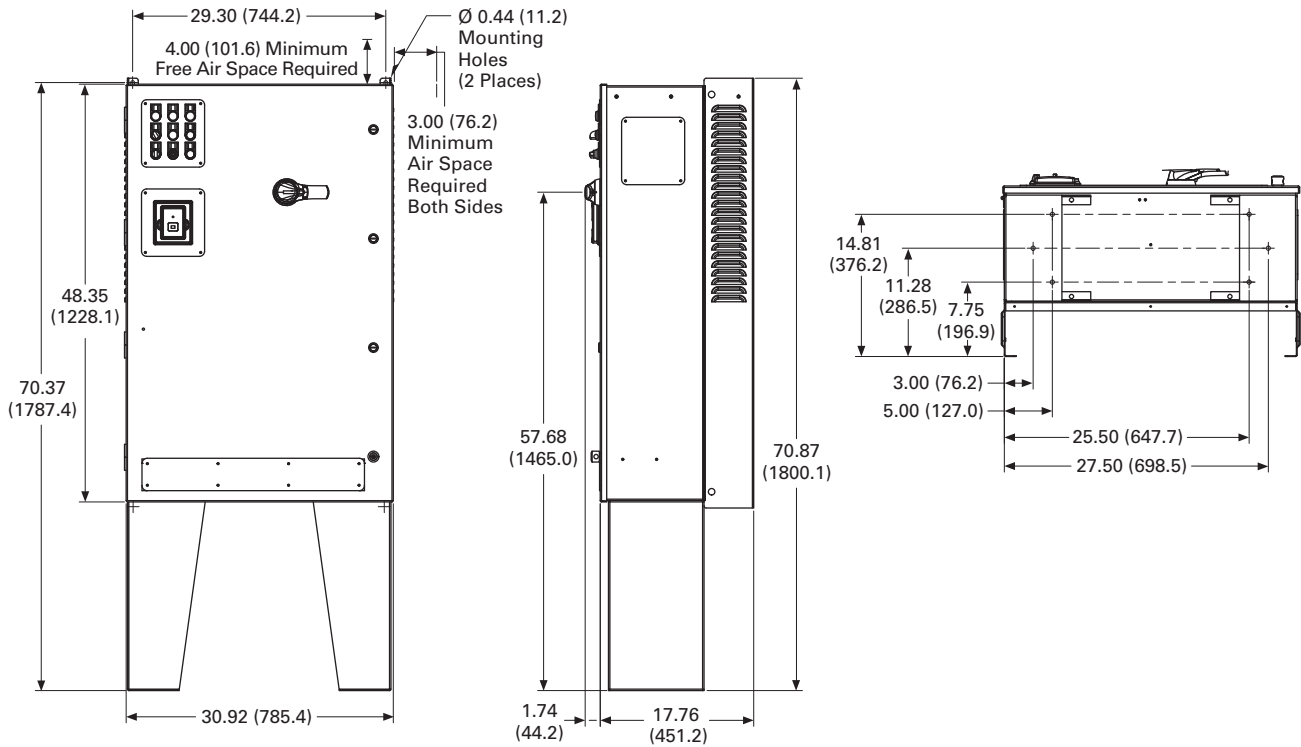


CX Box Type 12—12 Inch Floor Stands

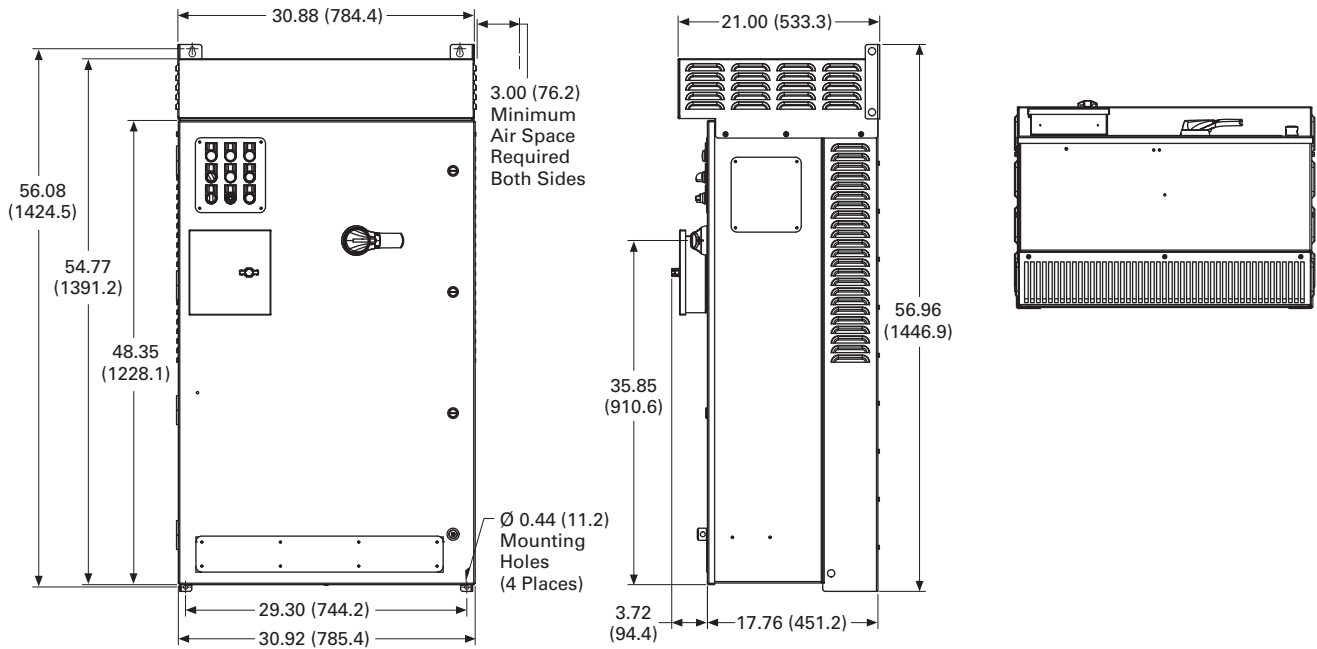


Approximate Dimensions in Inches (mm)

CX Box Type 12–22 Inch Floor Stands



CX Box Type 3R



2.11

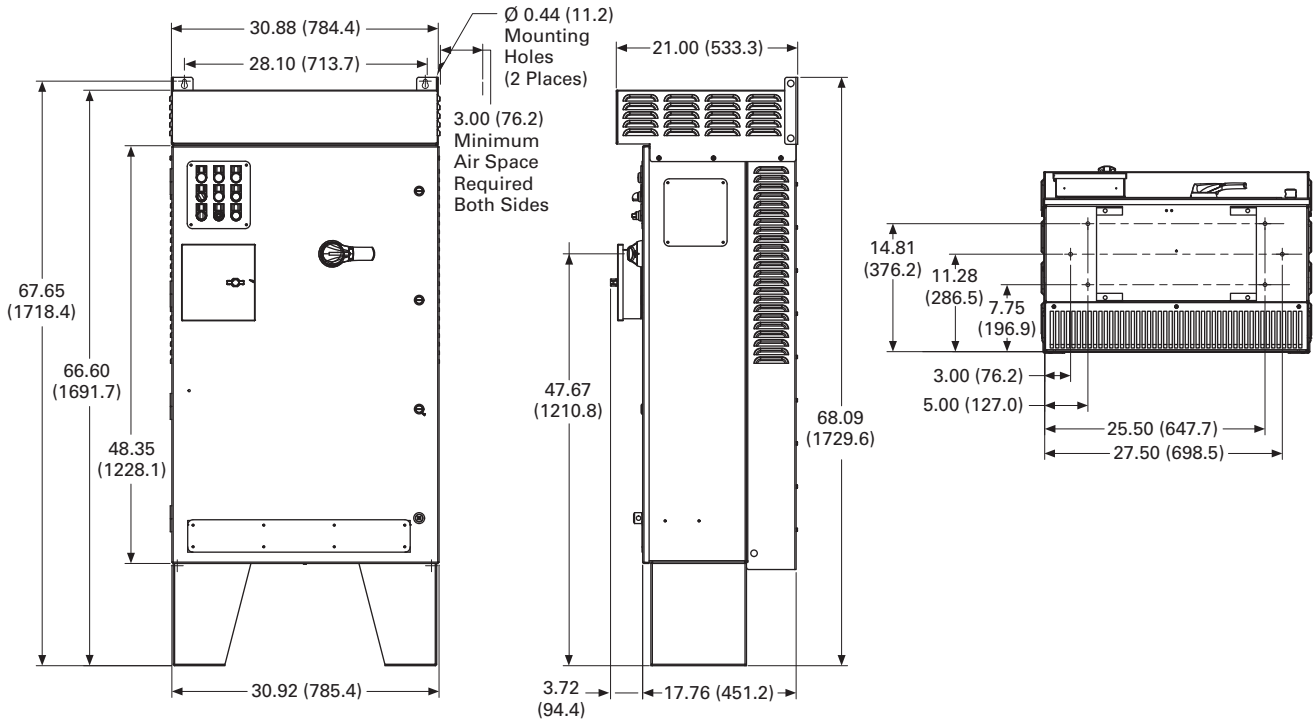
Adjustable Frequency Drives

Clean Power Drives

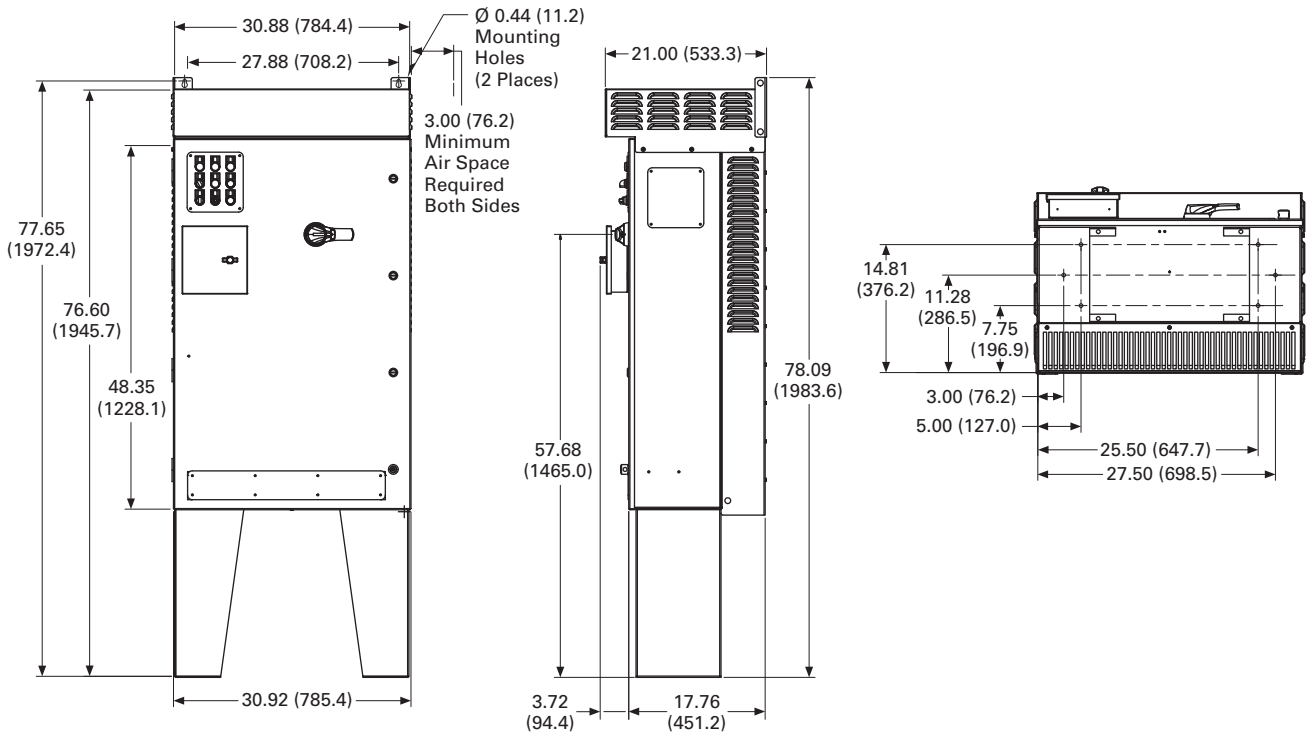
Approximate Dimensions in Inches (mm)

2

CX Box Type 3R—12 Inch Floor Stands

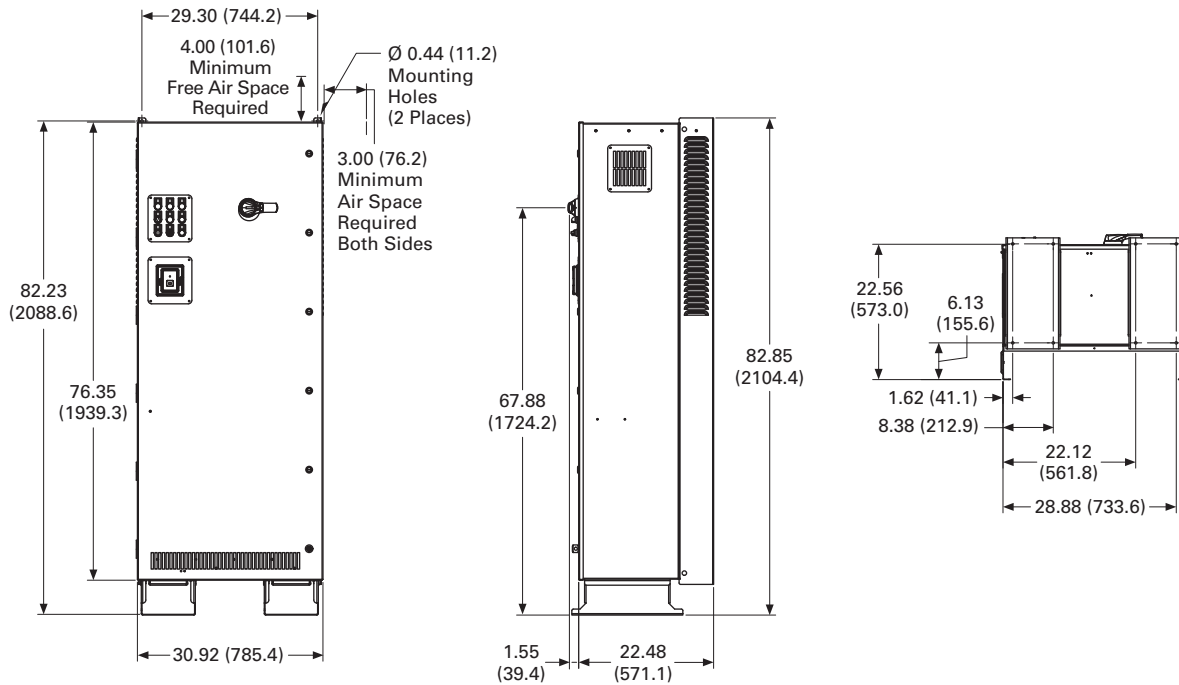


CX Box Type 3R—22 Inch Floor Stands

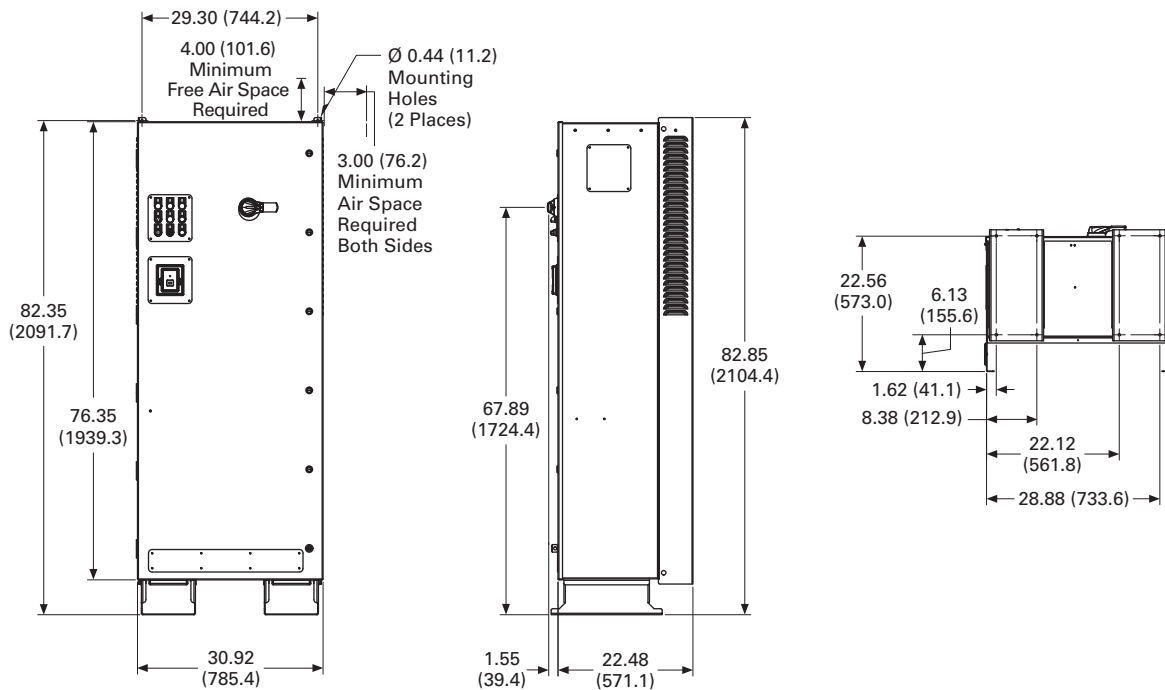


Approximate Dimensions in Inches (mm)

DX Box Type 1



DX Box Type 12



2.11

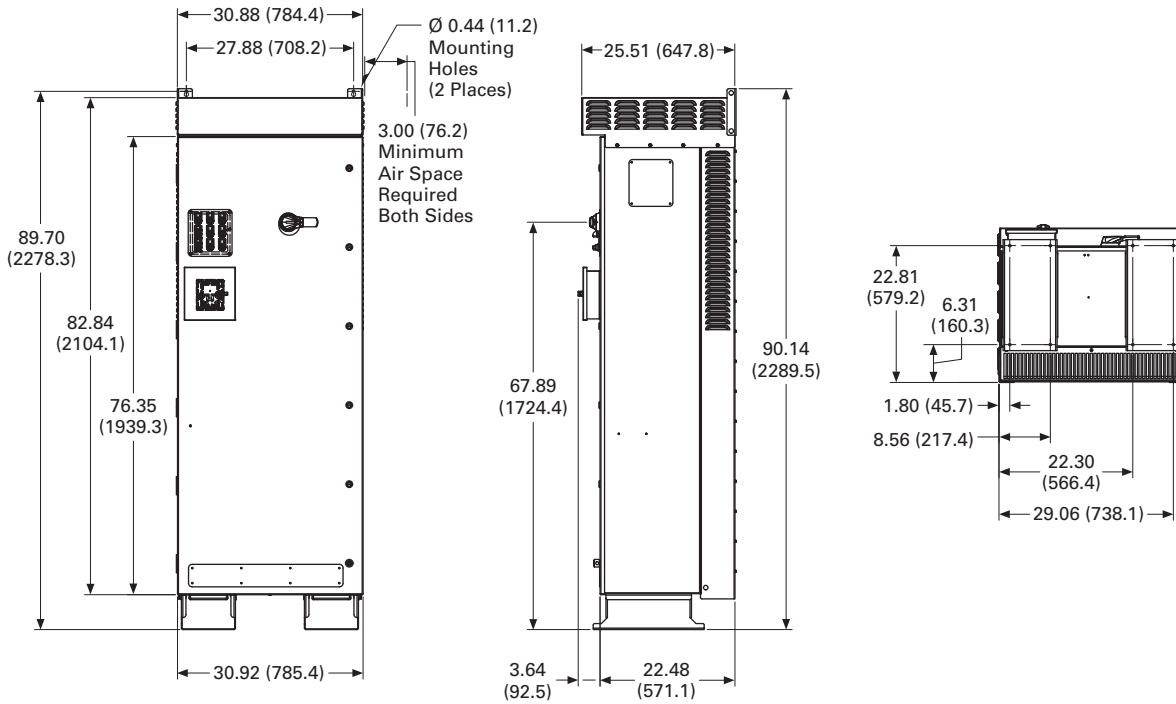
Adjustable Frequency Drives

Clean Power Drives

Approximate Dimensions in Inches (mm)

DX Box Type 3R

2



CFX Enclosed Drives**CFX Enclosed Drives****Product Description**

The enclosed passive filtered drive also delivers True Power Factor—in addition to reducing harmonic distortion, the enclosed passive filtered drive prevents transformer overheating and overloading of breakers and feeders, which enables the application of adjustable frequency drives on generators and other high impedance power systems.

Features and Benefits

The CFX passive filtered drive features include (at 480 V):

- UL Type 1, UL Type 12, UL Type 3R and NEMA 1 with gaskets and filters
- Input voltage: 480 V
- Complete range of control, network and power options
- Horsepower range:
 - 480 V, 7-1/2–400 hp I_L
- Single enclosure for both drive and filter reduces field wiring and enables convenient bypass installation
- Packaged solution ensures optimal coordination of drive and filter

Contents

Description	Page
Clean Power Drives Overview	V6-T2-298
Enclosed Passive Filtered Drives	
EGF Enclosed Drives	V6-T2-305
CFX Enclosed Drives	
Product Identification	V6-T2-326
Catalog Number Selection	V6-T2-327
Product Selection	V6-T2-329
Enclosure Selection	V6-T2-332
Options	V6-T2-333
Technical Data and Specifications	V6-T2-334
Wiring Diagram	V6-T2-336
Dimensions	V6-T2-337
Enclosed 12-Pulse Drives	V6-T2-351
Enclosed 18-Pulse Drives	V6-T2-355
Enclosed Regenerative Drives	V6-T2-379

Standards and Certifications

- UL
- cUL
- 508C



2.11

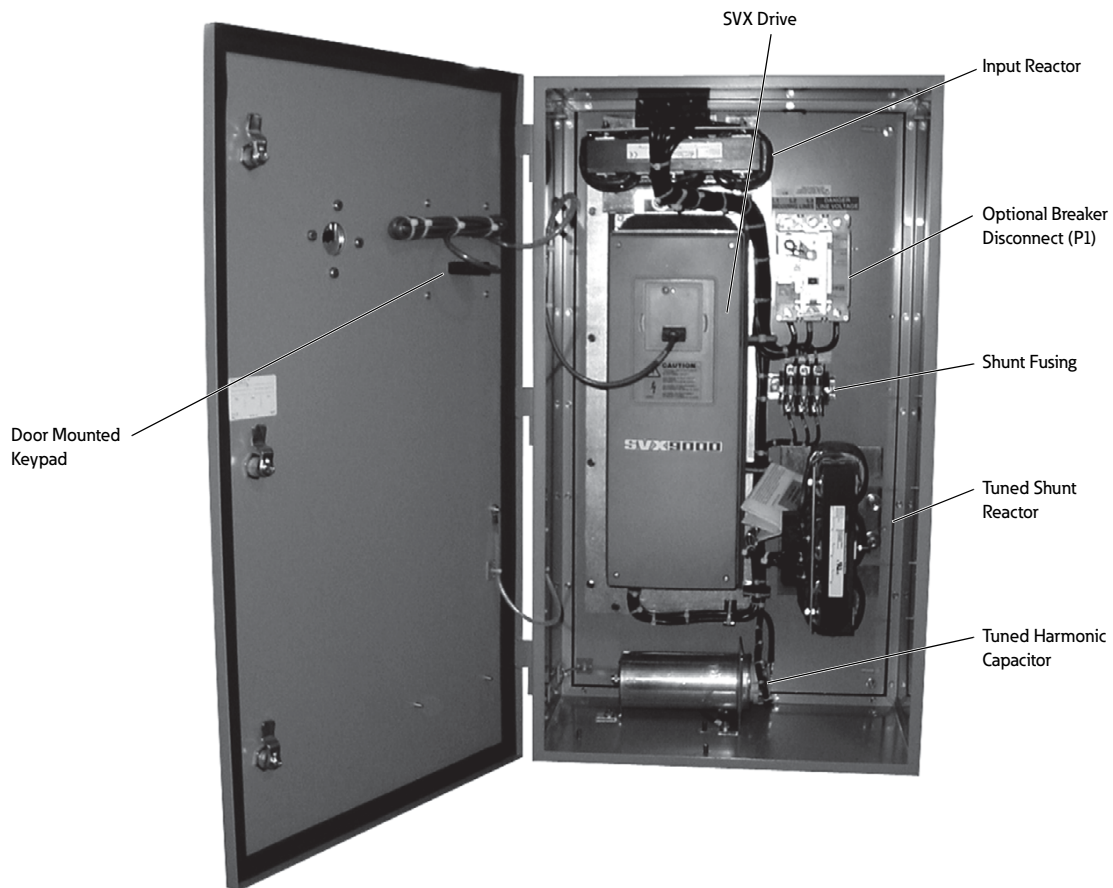
Adjustable Frequency Drives

Clean Power Drives

Product Identification

2

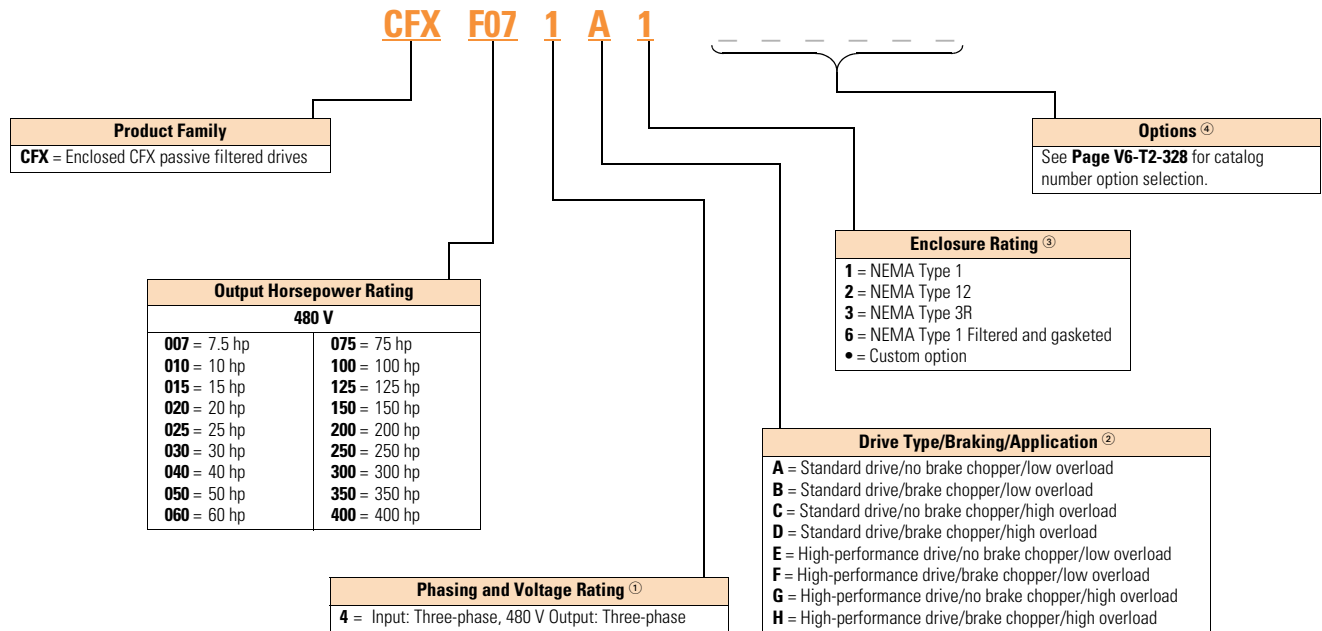
Enclosed Passive Filtered Drive—UL Type 12, 40 hp



Catalog Number Selection

Catalog Number Selection is for reference only. Not all option combinations may be available.

CFX Enclosed—Base Catalog Number



Notes

- ① Single-phase voltage refers to the supply voltage. Output voltage will be three-phase and equal to the magnitude of the input voltage.
- ② Brake chopper is a factory-installed option only. Braking resistors sold separately. See SVX catalog section for selection.
- ③ Additional enclosure options including NEMA 4 and 4X are available. Please contact the factory for configuration and pricing.
- ④ Part number configuration continued on the following page.

2.11

Adjustable Frequency Drives

Clean Power Drives

Catalog Number Selection is for reference only. Not all option combinations may be available.

CFX Enclosed—Catalog Number Options

2

CFX F07 1 A 1

Base Catalog Number Example
See **Page V6-T2-327** for base catalog number selection.

Power Disconnect Options

- 0 = None
- 1 = MCP disconnect ①
- 2 = Circuit breaker
- 3 = Circuit breaker/isolation fusing
- 5 = Circuit breaker/isolation fusing/SPD
- 8 = Circuit breaker/SPD
- E = Isolation fuses
- G = Isolation fuses/SPD
- = Custom option ②

Bypass Options ③

- 0 = None
- 1 = Manual HOA bypass
- 2 = Manual HOA bypass/isolation fusing
- 4 = Manual HOA bypass/isolation fusing/SPD
- 7 = Manual HOA bypass/SPD
- H = Manual HOA RVSS bypass
- J = Manual HOA RVSS bypass/isolation fusing
- L = Manual HOA RVSS bypass/isolation fusing/SPD
- P = Manual HOA RVSS bypass/SPD
- = Custom option ②

Output Power Options ④

- 0 = None
- A = Output contactor
- B = 3% Output reactor
- D = dV/dt filter
- E = 3% Output Reactor/output contactor
- G = dV/dt/output contactor
- = Custom option ②

Control Options ⑤

- 0 = None
- 1 = Speed pot
- 2 = Start-stop pushbutton
- 3 = Start-stop pushbutton with speed pot
- A = HOA switch
- B = Start-stop pushbutton with speed pot & HOA switch
- C = Start-stop pushbutton with HOA switch
- D = HOA switch with speed pot
- = Custom option ②

2 0 0 B 1 0 0 0 0

Option Boards 2
Same options and codes as Option Boards 1

Option Boards 1

- 0 = No option
- 6 = 6 DI, 1 ext +24 Vdc/EXT +24 Vdc
- 7 = 1 RO (NC-NO), 1 RO (NO), 1 therm
- 8 = 1 AI (mA isolated), 2 AO (mA isolated), 1 ext +24 Vdc/EXT +24 Vdc
- 9 = 3 RO (NO)
- A = 1 ext +24 Vdc/EXT +24 Vdc, 3 Pt100
- B = 1 RO (NO), 5 DI 42–240 Vac input
- C = Encoder low volt +5 V / 15 V / 24 V (high-performance drive only)
- D = Encoder high volt +15 V / 24 V (high-performance drive only)
- E = Double encoder (high-performance drive only)
- = Custom option ②

Communication Options

- 0 = No option
- 1 = PROFIBUS-DP
- 2 = LonWorks
- 3 = CANopen (slave)
- 4 = DeviceNet
- 5 = PROFIBUS-DP (D9 connector)
- 6 = Modbus
- 7 = Modbus (D9 connector)
- 8 = Johnson Controls N2
- 9 = Modbus TCP
- A = BACnet
- B = EtherNet/IP
- C = RS-232 with D9 connector
- = Custom option ②

Enclosure Options

- 0 = None
- 1 = Floor stand—12 inches
- 2 = Floor stand—22 inches
- A = Space heater
- B = Space heater & 12-inch floor stands
- C = Space heater & 22-inch floor stands
- = Custom option ②

Light Options ⑥

- 0 = None
- 1 = Non-bypass light kit—Power On, Run, Fault
- 2 = Bypass light kit—On, VFD Run, Fault, Bypass Run
- = Custom option ②

Notes

- ① HMCP disconnect option required and only available when bypass is selected.
- ② More options are available as Engineered to Order through the Bid Manager tool.
- ③ All bypass options include third contactor for drive isolation when in bypass mode.
- ④ Output contactor not available with bypass. Bypass comes standard with output contactor.
- ⑤ Pilot devices are 22 mm standard. 30 mm options are available as engineered to order through the Bid Manager tool.

Product Selection

480 V Drives

CFX Enclosed Drives



480 V Drives—Constant Torque (CT)/High Overload (IH) Enclosed Drives

hp	Current (A)	Drive Frame Size	NEMA Type 1	NEMA Type 12	NEMA Type 3R
			Base Catalog Number ①	Base Catalog Number ①	Base Catalog Number ①
7.5	11	5	CFX0074D1	CFX0074D2	CFX0074D3
10	14	5	CFX0104D1	CFX0104D2	CFX0104D3
15	21	5	CFX0154D1	CFX0154D2	CFX0154D3
20	27	6	CFX0204D1	CFX0204D2	CFX0204D3
25	34	6	CFX0254D1	CFX0254D2	CFX0254D3
30	40	6	CFX0304D1	CFX0304D2	CFX0304D3
40	52	7	CFX0404C1	CFX0404C2	CFX0404C3
50	65	7	CFX0504C1	CFX0504C2	CFX0504C3
60	77	7	CFX0604C1	CFX0604C2	CFX0604C3
75	96	8	CFX0754C1	CFX0754C2	CFX0754C3
100	124	8	CFX1004C1	CFX1004C2	CFX1004C3
125	156	8	CFX1254C1	CFX1254C2	CFX1254C3
150	180	9	CFX1504C1	CFX1504C2	CFX1504C3
200	240	9	CFX2004C1	CFX2004C2	CFX2004C3
250	302	10	CFX2504G1	CFX2504G2	CFX2504G3
300	361	10	CFX3004G1	CFX3004G2	CFX3004G3
350	414	10	CFX3504G1	CFX3504G2	CFX3504G3

CFX Enclosed Drives



480 V Drives—Variable Torque (VT)/Low Overload (IL) Enclosed Drives

hp	Current (A)	Drive Frame Size	NEMA Type 1	NEMA Type 12	NEMA Type 3R
			Base Catalog Number ①	Base Catalog Number ①	Base Catalog Number ①
7.5	11	4	CFX0074B1	CFX0074B2	CFX0074B3
10	14	5	CFX0104B1	CFX0104B2	CFX0104B3
15	21	5	CFX0154B1	CFX0154B2	CFX0154B3
20	27	5	CFX0204B1	CFX0204B2	CFX0204B3
25	34	6	CFX0254B1	CFX0254B2	CFX0254B3
30	40	6	CFX0304B1	CFX0304B2	CFX0304B3
40	52	6	CFX0404B1	CFX0404B2	CFX0404B3
50	65	7	CFX0504A1	CFX0504A2	CFX0504A3
60	77	7	CFX0604A1	CFX0604A2	CFX0604A3
75	96	7	CFX0754A1	CFX0754A2	CFX0754A3
100	124	8	CFX1004A1	CFX1004A2	CFX1004A3
125	156	8	CFX1254A1	CFX1254A2	CFX1254A3
150	180	8	CFX1504A1	CFX1504A2	CFX1504A3
200	240	9	CFX2004A1	CFX2004A2	CFX2004A3
250	302	10	CFX2504E1	CFX2504E2	CFX2504E3
300	361	10	CFX3004E1	CFX3004E2	CFX3004E3
350	414	10	CFX3504E1	CFX3504E2	CFX3504E3
400	477	10	CFX4004E1	CFX4004E2	CFX4004E3

Note

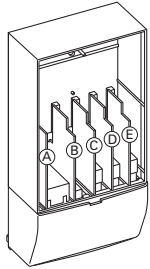
① Table is for base catalog number reference only. For complete catalog number selection, see Page V6-T2-327.

Enclosed Passive Filtered Drive Option Board Kits

The enclosed passive filtered drive series can accommodate a wide selection of expander and adapter option boards to customize the drive for your application needs. The drive's control unit is designed to accept a total of five option boards.

The enclosed passive filtered drive series factory-installed standard board configuration includes an A9 I/O board and an A2 relay output board, which are installed in slots A and B.

Option Boards



Option Board Kits

Option Kit Description ^①	Allowed Slot Locations ^②	Field Installed Catalog Number	Factory Installed Option Designator	SVX Ready Programs						
				Basic	Local/Remote	Standard	MSS	PID	Multi-P.	PFC
Standard I/O Cards										
2 RO (NC/NO)	B	OPTA2	—	■	■	■	■	■	■	■
6 DI, 1 DO, 2 AI, 1 AO, 1 +10 Vdc ref, 2 ext +24 Vdc/ext +24 Vdc	A	OPTA9	—	■	■	■	■	■	■	■
Extended I/O Cards										
6 DI	B, C, D , E	OPTB1	B1	—	—	—	—	—	■	■
1 RO (NC/NO), 1 RO (NO), 1 therm	B, C, D , E	OPTB2	B2	—	—	—	—	—	■	■
1 AI (mA isolated), 2 AO (mA isolated)	B, C, D , E	OPTB4	B4	■	■	■	■	■	■	■
3 RO (NO)	B, C, D , E	OPTB5	B5	—	—	—	—	—	■	■
3 Pt100 RTD board	B, C, D , E	OPTB8	B8	—	—	—	—	—	■	—
1 RO (NO), 5 DI 42–240 Vac input	B, C, D , E	OPTB9	B9	—	—	—	—	—	■	■
Communication Cards ^③										
Modbus	D, E	OPTC2	C2	■	■	■	■	■	■	■
Modbus TCP	D, E	OPTC1	C1	■	■	■	■	■	■	■
BACnet	D, E	OPTCJ	CJ	■	■	■	■	■	■	■
EtherNet/IP	D, E	OPTCQ	CQ	■	■	■	■	■	■	■
Johnson Controls N2	D, E	OPTC2	CA	■	■	■	■	■	■	■
PROFIBUS DP	D, E	OPTC3	C3	■	■	■	■	■	■	■
LonWorks	D, E	OPTC4	C4	■	■	■	■	■	■	■
PROFIBUS DP (D9 connector)	D, E	OPTC5	C5	■	■	■	■	■	■	■
CANopen (slave)	D, E	OPTC6	C6	■	■	■	■	■	■	■
DeviceNet	D, E	OPTC7	C7	■	■	■	■	■	■	■
Modbus (D9 type connector)	D, E	OPTC8	C8	■	■	■	■	■	■	■
RS-232 with D9 connection	D, E	OPTD3	D3	■	■	■	■	■	■	■

Notes

- ① AI = Analog Input; AO = Analog Output; DI = Digital Input; DO = Digital Output; RO = Relay Output
- ② Option card must be installed in one of the slots listed for that card. Slot indicated in bold is the preferred location.
- ③ OPTC2 is a multi-protocol option card.

Modbus RTU Network Communications

The Modbus Network Card OPTC2 is used for connecting the SVX Drive as a slave on a Modbus network. The interface is connected by a 9-pin DSUB connector (female) and the baud rate ranges from 300 to 19,200 baud. Other communication parameters include an address range from 1 to 247; a parity of None, Odd or Even; and the stop bit is 1.

PROFIBUS Network Communications

The PROFIBUS Network Card OPTC3 is used for connecting the SVX Drive as a slave on a PROFIBUS-DP network. The interface is connected by a 9-pin DSUB connector (female). The baud rates range from 9.6 Kbaud to 12 Mbaud, and the addresses range from 1 to 127.

LonWorks Network Communications

The LonWorks Network Card OPTC4 is used for connecting the SVX Drive on a LonWorks network. This interface uses Standard Network Variable Types (SNVT) as data types. The channel connection is achieved using a FTT-10 A Free Topology transceiver via a single twisted transfer cable. The communication speed with LonWorks is 78 kBits/s.

CANopen (Slave) Communications

The CANopen (Slave) Network Card OPTC6 is used for connecting the SVX Drive to a host system. According to ISO11898 standard cables to be chosen for CANbus should have a nominal impedance of 120 ohms, and specific line delay of nominal 5 as/m. 120 ohm line termination resistors required for installation.

DeviceNet Network Communications

The DeviceNet Network Card OPTC7 is used for connecting the SVX Drive on a DeviceNet Network. It includes a 5.08 mm pluggable connector. Transfer method is via CAN using a two-wire twisted shielded cable with two-wire bus power cable and drain. The baud rates used for communication include 125 Kbaud, 250 Kbaud and 500 Kbaud.

Johnson Controls Metasys N2 Network Communications

The OPTC2 fieldbus board provides communication between the SVX Drive and a Johnson Controls Metasys™ N2 network. With this connection, the drive can be controlled, monitored and programmed from the Metasys system. The N2 fieldbus is available as a factory-installed option and as a field-installable kit.

Modbus/TCP Network Communications

The Modbus/TCP Network Card OPTC1 is used for connecting the SVX Drive to Ethernet networks using Modbus protocol. It includes an RJ-45 pluggable connector. This interface provides a selection of standard and custom register values to communicate drive parameters. The board supports 10 Mbps and 100 Mbps communication speeds. The IP address of the board is configurable over Ethernet using a supplied software tool.

BACnet Network Communications

The BACnet Network Card OPTCJ is used for connecting the SVX Drive to BACnet networks. It includes a 5.08 mm pluggable connector. Data transfer is Master-Slave/Token Passing (MS/TP) RS-485. This interface uses a collection of 30 Binary Value Objects (BVOs) and 35 Analog Value Objects (AVOs) to communicate drive parameters. The card supports 9.6, 19.2 and 38.4 Kbaud communication speeds and supports network addresses 1 to 127.

EtherNet/IP Network Communications

The EtherNet/IP Network Card OPTCK is used for connecting the SVX Drive to Ethernet/Industrial Protocol networks. It includes an RJ-45 pluggable connector. The interface uses CIP objects to communicate drive parameters (CIP is "Common Industrial Protocol," the same protocol used by DeviceNet). The board supports 10 Mbps and 100 Mbps communication speeds. The IP address of the board is configurable by Static, BOOTP and DHCP methods.

2.11

Adjustable Frequency Drives

Clean Power Drives

Enclosure Selection

2

CFX Drives

Enclosure selection charts are based on physical space limitations only and only to be used as a reference. For actual enclosure sizing, refer to Bid Manager.

Note: Filtered enclosure sizing includes dedicated space for passive filter, input fuses, circuit breaker or fusible disconnect, CPT, SPD, heater/thermostat, control relay and terminal blocks.

Filtered Enclosure X-Space

Enclosure Size	Frame 4	Frame 5	Frame 6	Frame 7	Frame 8
AX	—	—	—	—	—
BX	0	0	—	—	—
CX	3	3	2	2	—
DX	14	14	13	13	10

Filtered Power Options X-Space

Power Options	Frame 4	Frame 5	Frame 6	Frame 7	Frame 8
3% Output reactor	1	1	3	5	6
dV/dt filter	3	3	3	5	6
Output contactor	1	1	1	1	1

Larger Frame Enclosure Sizes

Frame Size	Type 1	Type 12	Type 1 Filtered and Gasketed	Type 3R
Frame 9	Size 8	—	Size 8	Size F
Frame 10	Size 9	Size 9	—	①

Note: Filtered bypass enclosure sizing includes dedicated space for a passive filter, input fuses, MCP, CPT, input contactor, output bypass contactors, overload relay, SPD, heater/thermostat, control relay and terminal blocks.

Filtered Bypass Enclosure X-Space

Enclosure Size	Frame 4	Frame 5	Frame 6	Frame 7	Frame 8
AX	—	—	—	—	—
BX	—	—	—	—	—
CX	2	1	0	—	—
DX	13	12	11	10	6

Filtered Bypass Power Options X-Space

Power Options	Frame 4	Frame 5	Frame 6	Frame 7	Frame 8
RVSS Bypass	1	1	3	5	6
3% Output reactor	2	2	2	3	4
dV/dt filter	3	3	3	5	6

Larger Frame Enclosure Sizes

Frame Size	Type 1	Type 12	Type 1 Filtered and Gasketed	Type 3R
Frame 9	Size 8	—	Size 8	Size F
Frame 10	Size 9	Size 9	—	①

Note

① Consult factory.

Options

Input Power Options

Option	Description
HMCP Disconnect	The HMCP motor protection circuit breaker uses an electronic trip unit to provide typical motor overload relay functionality and short-circuit protection against potential phase-to-phase or phase-to-ground faults.
Circuit Breaker	Utilizes a circuit breaker to provide a means of short-circuit protection for the power cables between it and the drive, and protection from high-level ground faults on the power cable. Allows a convenient means of disconnecting the drive from the line, and the operating mechanism can be padlocked in the OFF position. This is factory mounted in the enclosure.
Isolation Fusing	Provides high-level fault protection of the drive input power circuit from the load side of the fuses to the input side of the power transistors. This option consists of three 200 kA fuses that are factory mounted in the enclosure.
3% Input Reactor	The input reactor is a three-phase series inductance on the line side of an AFD. It is used to provide a reduction in voltage and current harmonics. It also provides increased input protection for AFD and its semiconductors from line transients.
SPD	Provides a UL 1449 surge protection device (SPD) rated for 40 kA/ph that is connected to the line side terminals.
Fused Disconnect	Utilizes fusing to provide a means of short-circuit protection for the power cables between it and the drive, and protection from high-level ground faults on the power cable. Allows a convenient means of disconnecting the drive from the line, and the operating mechanism can be padlocked in the OFF position. This is factory mounted in the enclosure.

Bypass Options

Option	Description
Manual HOA Bypass	Provides a three-position selector switch that allows the user to select either a HAND or AUTO mode of operation. HAND mode is defaulted keypad operation, and AUTO mode is defaulted to control from an external terminal source. These modes of operation can be configured via programming to allow for alternate combinations of start and speed sources. Start and speed sources include keypad, I/O and fieldbus.
Manual HOA RVSS Bypass	This option adds a reduced voltage soft starter to bypass assembly for soft starting in bypass mode.

Output Power Options

Option	Description
Output Contactor	Provides a means for positive disconnection of the drive output from the motor terminals. The contactor coil is controlled by the drive's run or permissive logic. NC and NO auxiliary contacts rated at 10 A, 600 Vac are provided for customer use. This option includes a low VA 115 Vac fused control power transformer and is factory mounted in the enclosure.
3% Output Reactor	The output reactor is a three-phase series inductance on the load side of a VFD. It is used to reduce transient voltage (dv/dt) and peak voltages at the motor terminals. A 3% output filter is recommended for motor cable lengths up to 300 ft (10 m).
dV/dt Filter	Used to reduce the transient voltage (dV/dt) at the motor terminals. Recommended for motor cable lengths over 300 ft (10 m) and up to 1000 ft (304.8 m). This option is mounted in the enclosure.

Control Options

Option	Description
Speed Pot	Provides the ability to adjust the frequency reference using a door-mounted potentiometer. This option uses the 10 Vdc reference to generate a 0–10 V signal at the analog voltage input signal terminal. When the HOA bypass option is added, the speed is controlled when the HOA switch is in the HAND position. Without the HOA bypass option, a two-position switch (labeled local/remote) is provided on the keypad to select speed reference from the speed potentiometer or a remote speed signal.
HOA Switch	Provides a three-position selector switch that allows the user to select either a HAND or AUTO mode of operation. HAND mode is defaulted to keypad operation, and AUTO mode is defaulted to control from an external terminal source. These modes of operation can be configured via drive programming to allow for alternate combinations of start and speed sources. Start and speed sources include Keypad, I/O and fieldbus.
Start-Stop Pushbutton	Provides door-mounted START and STOP pushbuttons for either bypass or non-bypass configurations.

Light Options

Option	Description
Non-Bypass Light Kit—Power On, Run, Fault	Provides a white POWER ON light that indicates power to the enclosed cabinet, a green RUN light that indicates the drive is running and a red FAULT light that indicates a drive fault has occurred.
Bypass Light Kit—On, VFD Run, Fault, Bypass Run	Provides a white POWER ON light that indicates power to the enclosed cabinet, a green RUN light that indicates the drive is running, a red FAULT light that indicates a drive fault has occurred and an amber light that indicates when the motor is running in Bypass mode.

Enclosure Options

Option	Description
Floor Stand 12 in	Converts a normally wall-mounted enclosure to a floor-standing enclosure with a height of 12 in (304.8 mm).
Floor Stand 22 in	Converts a normally wall-mounted enclosure to a floor-standing enclosure with a height of 22 in (558.8 mm).

Technical Data and Specifications

2

Enclosed Passive Filtered Drives

Description	Specification
Primary Design Features	
45–66 Hz input frequency	Standard
Output: AC volts maximum	Input Voltage Base
Output frequency range	0–320 Hz
Initial output current (I_H)	250% for 2 seconds
Overload (1 minute [I_H/I_L])	150%/110%
Enclosure space heater	Optional
Oversize enclosure	Standard
Output contactor	Optional
Bypass motor starter	Optional
Listings	UL, cUL, 508C
Protection Features	
Incoming line fuses	Optional
AC input circuit disconnect	Optional
Phase rotation insensitive	Standard
EMI filter	Standard—FR6 thru FR9 ^①
Input phase loss protection	Standard
Input overvoltage protection	Standard
Line surge protection	Standard
Output short-circuit protection	Standard
Output ground fault protection	Standard
Output phase protection	Standard
Overtemperature protection	Standard
DC overvoltage protection	Standard
Drive overload protection	Standard
Motor overload protection	Standard
Programmer software	Optional
Local/remote keypad	Standard
Keypad lockout	Standard
Fault alarm output	Standard
Built-in diagnostics	Standard
Surge protective device	Optional

Description	Specification
Input/Output Interface Features	
Setup adjustment provisions	
Remote keypad/display	Standard
Personal computer	Standard
Operator control provisions	
Drive mounted keypad/display	Standard
Remote keypad/display	Standard
Conventional control elements	Standard
Serial communications	Optional
115 Vac control circuit	Optional
Speed setting inputs	
Keypad	Standard
0–10 Vdc potentiometer/voltage signal	Standard
4–20 mA isolated	Configurable
4–20 mA differential	Configurable
3–15 psig	Optional
Analog outputs	
Speed/frequency	Standard
Torque/load/current	Programmable
Motor voltage	Programmable
Kilowatts	Programmable
0–10 Vdc signals	Configurable w/jumpers
4–20 mA DC signals	Standard
Isolated signals	Optional
Discrete outputs	
Fault alarm	Standard
Drive running	Standard
Drive at set speed	Programmable
Optional parameters	14
Dry contacts	2 relays Form C
Open collector outputs	1
Additional discrete outputs	Optional
Communications	
RS-232	Standard
RS-422/485	Optional
DeviceNet™	Optional
Modbus RTU	Optional
CANopen (slave)	Optional
PROFIBUS-DP	Optional
Lonworks®	Optional
Johnson Controls Metasys™ N2	Optional
EtherNet/IP/Modbus TCP	Optional
BACnet	Optional

Note

^① The EMI filter is optional in FR10.

Enclosed Passive Filtered Drives, continued

Description	Specification
Performance Features	
Sensorless vector control	Standard
Volts/hertz control	Standard
IR and slip compensation	Standard
Electronic reversing	Standard
Dynamic braking	Optional
DC braking	Standard
PID setpoint controller	Programmable
Critical speed lockout	Standard
Current (torque) limit	Standard
Adjustable acceleration/deceleration	Standard
Linear or S curve accel/decel	Standard
Jog at preset speed	Standard
Thread/preset speeds	7
Automatic restart	Selectable
Coasting motor start	Standard
Coast or ramp stop selection	Standard
Elapsed time meter	Optional
Standard Conditions for Application and Service	
Maximum operating ambient temperature	0 to 40 °C
Storage temperature	-40 to 60 °C
Humidity (maximum), non-condensing	95%
Altitude	100% load capacity (no derating) up to 3280 ft (1000 m); 1% derating for each 328 ft (100 m) above 3280 ft (1000 m); max. 9842 ft (3000 m)
Line voltage variation	+10/-15%
Line frequency variation	45-66 Hz
Efficiency	>96%
Power factor (displacement)	0.99

Standard I/O Specifications

Description	Specification
Six-digital input programmable	24 V: "0" ≤ 10 V, "1" ≥ 18 V, $R_i > 5$ kohms
Two-analog input configurable w/ jumpers	Voltage: 0- ± 10 V, $R_i > 200$ kohms Current: 0 (4)-20 mA, $R_i = 250$ kohms
Two-digital output programmable	Form C relays 250 Vac or 30 Vdc 2 Amp resistive
One-digital output programmable	Open collector 48 Vdc 50 mA
One-analog output programmable configurable w/jumper	0-20 mA, R_L max. 500 ohms 10 bits $\pm 2\%$

I/O Specifications for Control/Communication Options

Description	Specification
Analog voltage, input	0- ± 10 V, $R_i \geq 200$ kilohms
Analog current, input	0 (4)-20 mA, $R_i = 250$ ohms
Digital input	24 V: "0" ≤ 10 V, "1" ≥ 18 V, $R_i > 5$ kohms
Auxiliary voltage	24 V ($\pm 20\%$), max. 50 mA
Reference voltage	10 V $\pm 3\%$, max. 10 mA
Analog current, output	0 (4)-20 mA, $R_L = 500$ kilohms, resolution 10 bit, accuracy $\leq \pm 2\%$
Analog voltage, output	0 (2)-10 V, $R_L \geq 1$ kohm, resolution 10 bit, accuracy $\leq \pm 2\%$
Relay output max. switching voltage	300 Vdc, 250 Vac
Relay output max. switching load	3 A/24 Vdc, 300 Vdc, 250 Vac ^②
Relay output max. continuous load	2 A rms
Thermistor input	$R_{trip} = 4.7$ kohms

Notes

- ① Units FR10 rated 40 °C.
② For applications above 3 A consult instruction manual.

2.11

Adjustable Frequency Drives

Clean Power Drives

Wiring Diagram

Control Input/Output

2

Reference potentiometer
1–10 kohms

Remote reference
0(4)–20 mA

READY

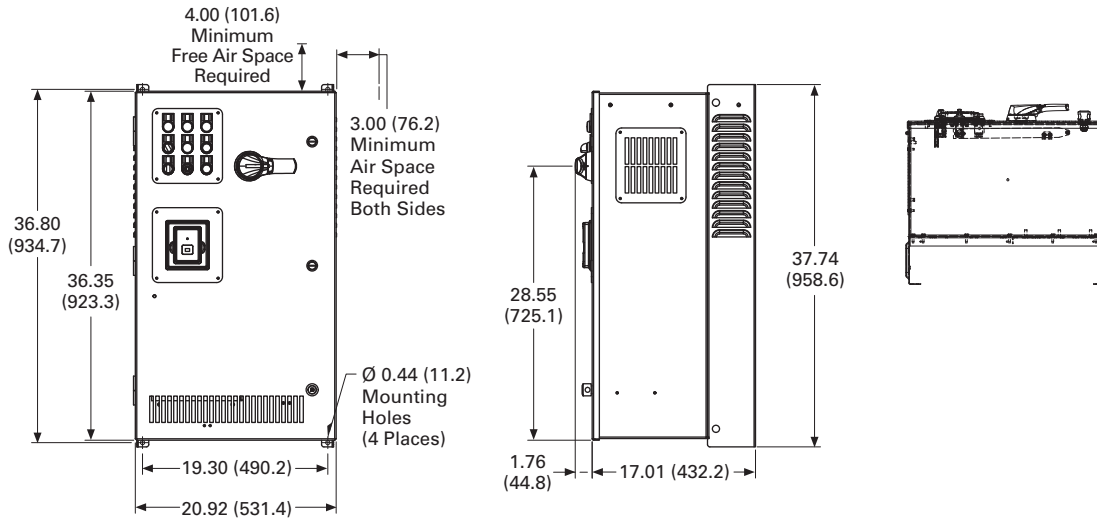
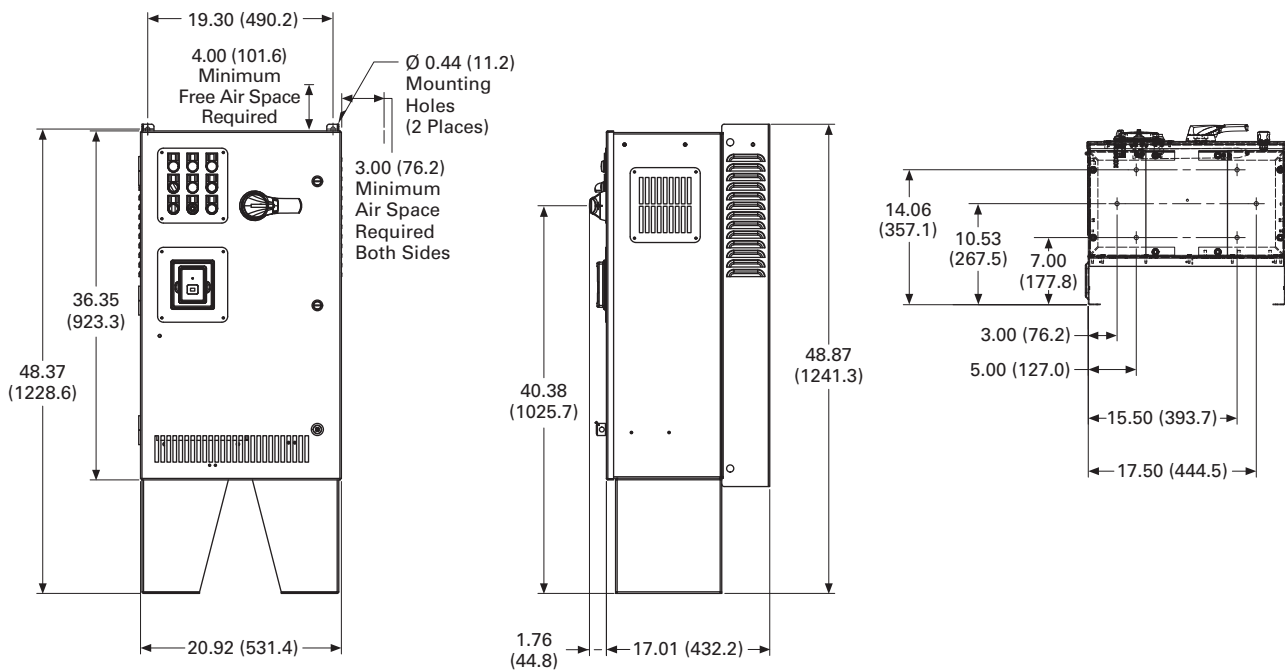
RUN

Basic Application Default I/O Configuration

Terminal	Signal	Description			
OPTA9					
1	+10 V _{ref}	Reference output	Voltage for potentiometer, etc.		
2	AI1+	Analog input, voltage range 0–10 Vdc	Voltage input frequency reference		
3	AI1–	I/O Ground	Ground for reference and controls		
4	AI2+	Analog input, current range 0–20 mA	Current input frequency reference		
5	AI2–				
6	+24 V	Control voltage output	Voltage for switches, etc. max 0.1 A		
7	GND	I/O ground	Ground for reference and controls		
8	DIN1	Start forward	Contact closed = start forward		
9	DIN2	Start reverse	Contact closed = start reverse		
10	DIN3	External fault input (programmable)	Contact open = no fault Contact closed = fault		
11	CMA	Common for DIN 1–DIN 3	Connect to GND or +24 V		
12	+24 V	Control voltage output	Voltage for switches (see terminal 6)		
13	GND	I/O ground	Ground for reference and controls		
14	DIN4	Multi-step speed select 1	DIN4	DIN5	Frequency Ref.
15	DIN5	Multi-step speed select 2	Open	Open	Ref. V _{in}
			Closed	Open	Multi-step ref. 1
			Open	Closed	Multi-step ref. 2
			Closed	Closed	Ref _{Max}
16	DIN6	Fault reset	Contact open = no action Contact closed = fault reset		
17	CMB	Common for DIN4–DIN6	Connect to GND or +24 V		
18	A01+	Output frequency	Programmable		
19	A01–	Analog output	Range 0–20 mA, R _L max. 500 ohms		
20	D01	Digital output READY	Programmable Open collector, I ≤ 50 mA, V ≤ 48 Vdc		
OPTA2					
21	R01	Relay output 1 RUN			
22	R01				
23	R01				
24	R02	Relay output 2 FAULT			
25	R02				
26	R02				

Dimensions

Approximate Dimensions in Inches (mm)

BX Box Type 1**BX Box Type 1—12 Inch Floor Stands**

2.11

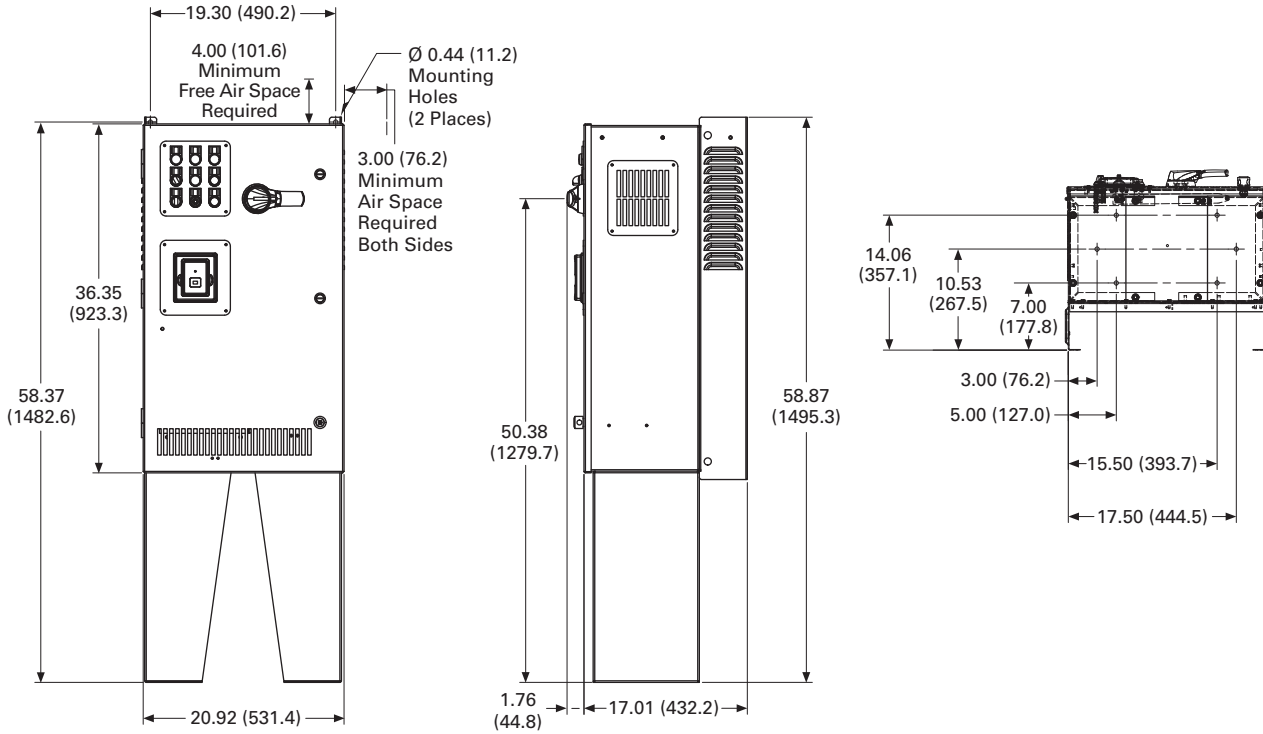
Adjustable Frequency Drives

Clean Power Drives

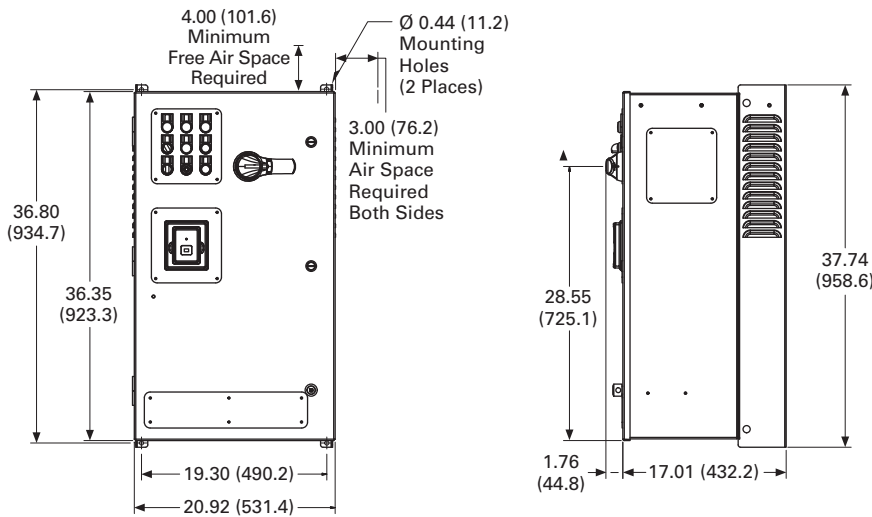
Approximate Dimensions in Inches (mm)

BX Box Type 1—22 Inch Floor Stands

2

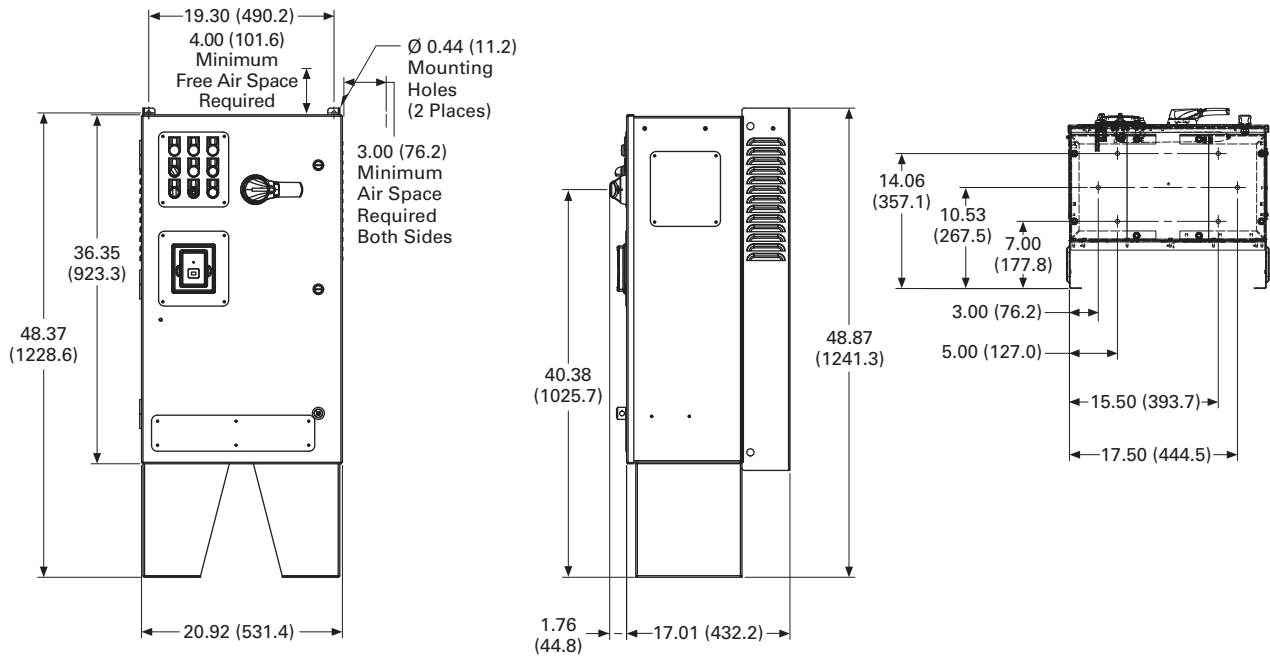


BX Box Type 12

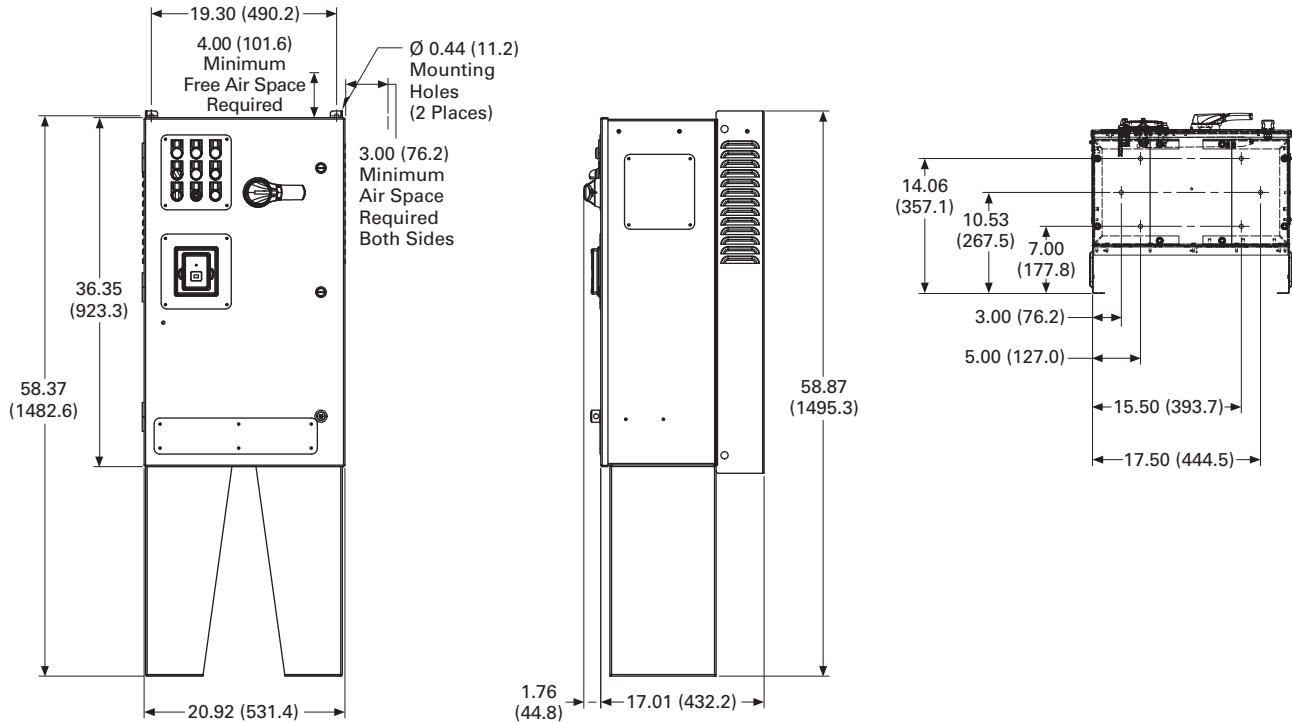


Approximate Dimensions in Inches (mm)

BX Box Type 12—12 Inch Floor Stands



BX Box Type 12—22 Inch Floor Stands



2.11

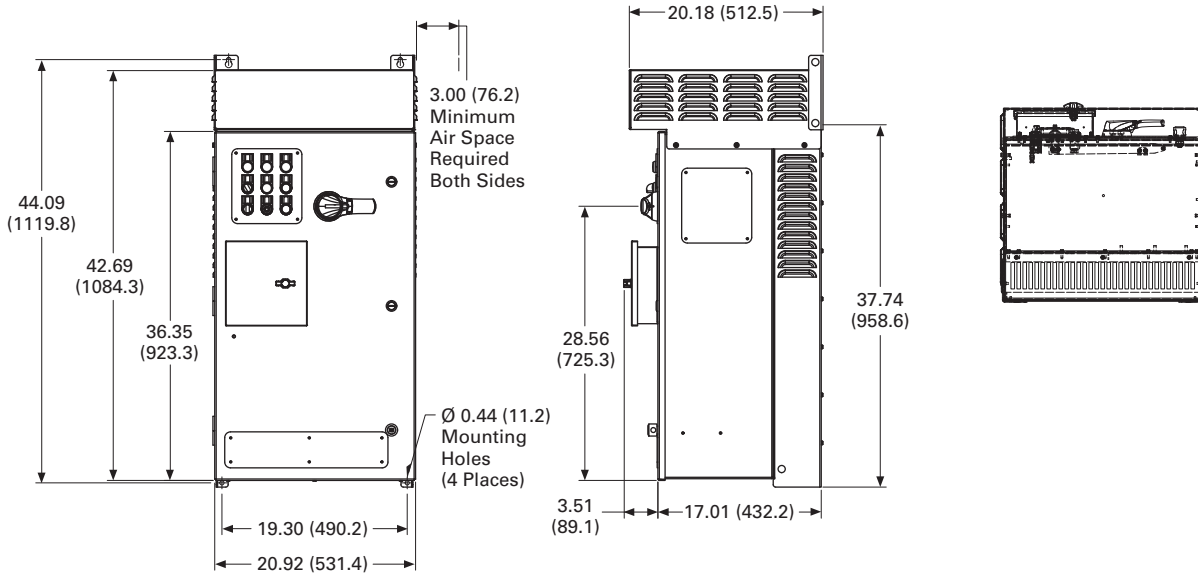
Adjustable Frequency Drives

Clean Power Drives

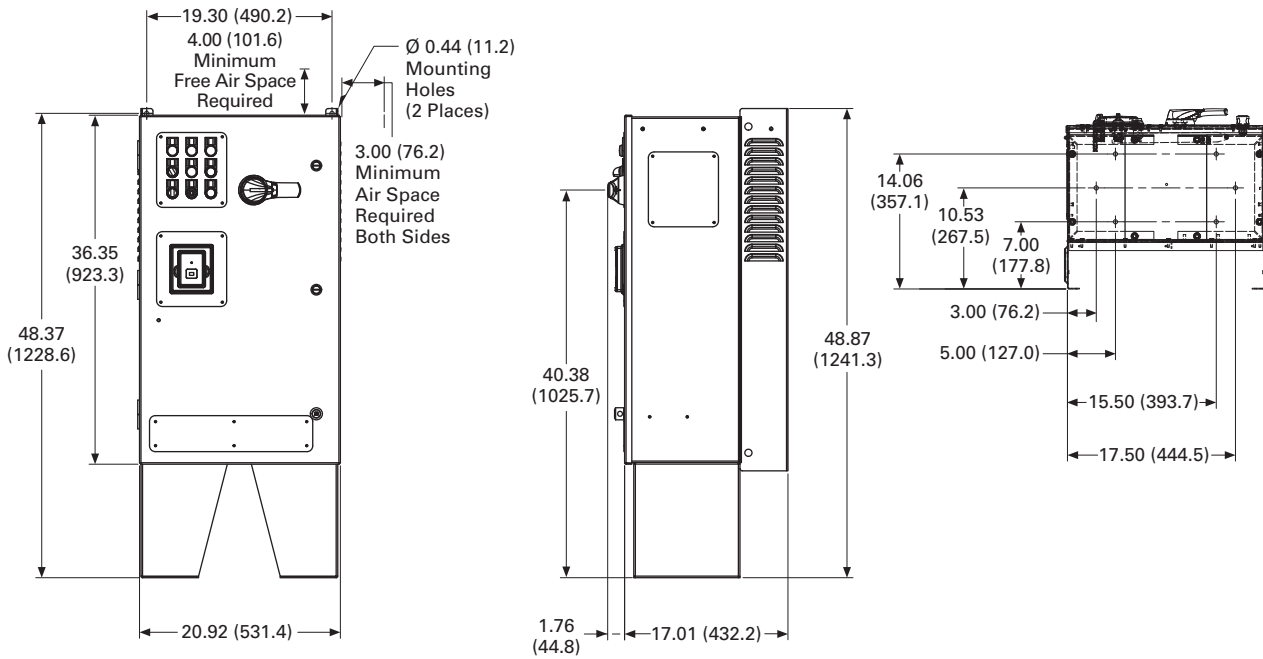
Approximate Dimensions in Inches (mm)

BX Box Type 3R

2

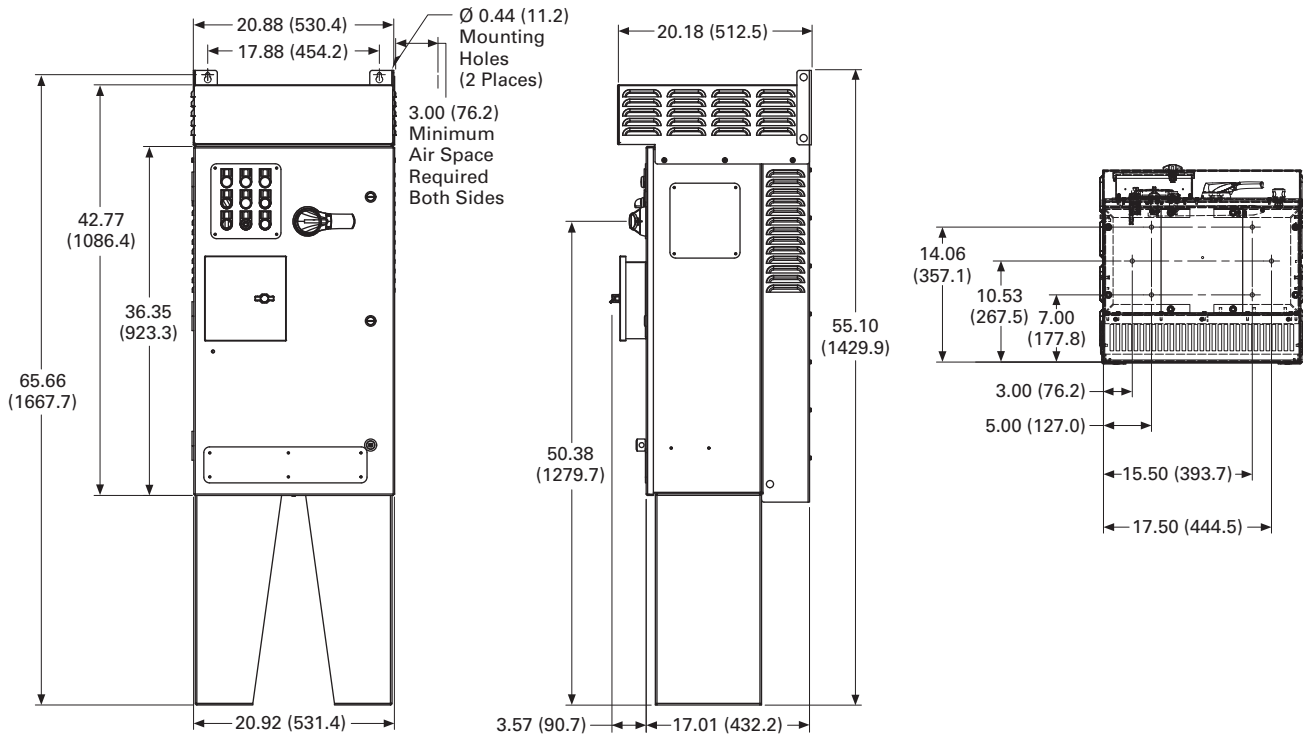


BX Box Type 3R—12 Inch Floor Stands

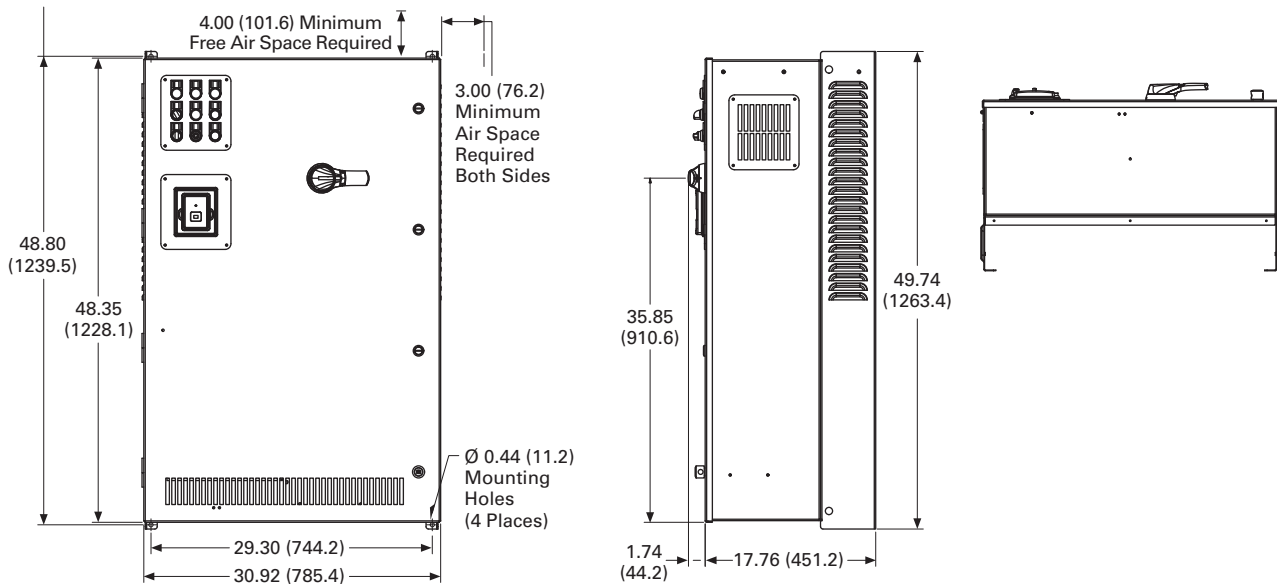


Approximate Dimensions in Inches (mm)

BX Box Type 3R—22 Inch Floor Stands



CX Box Type 1



2.11

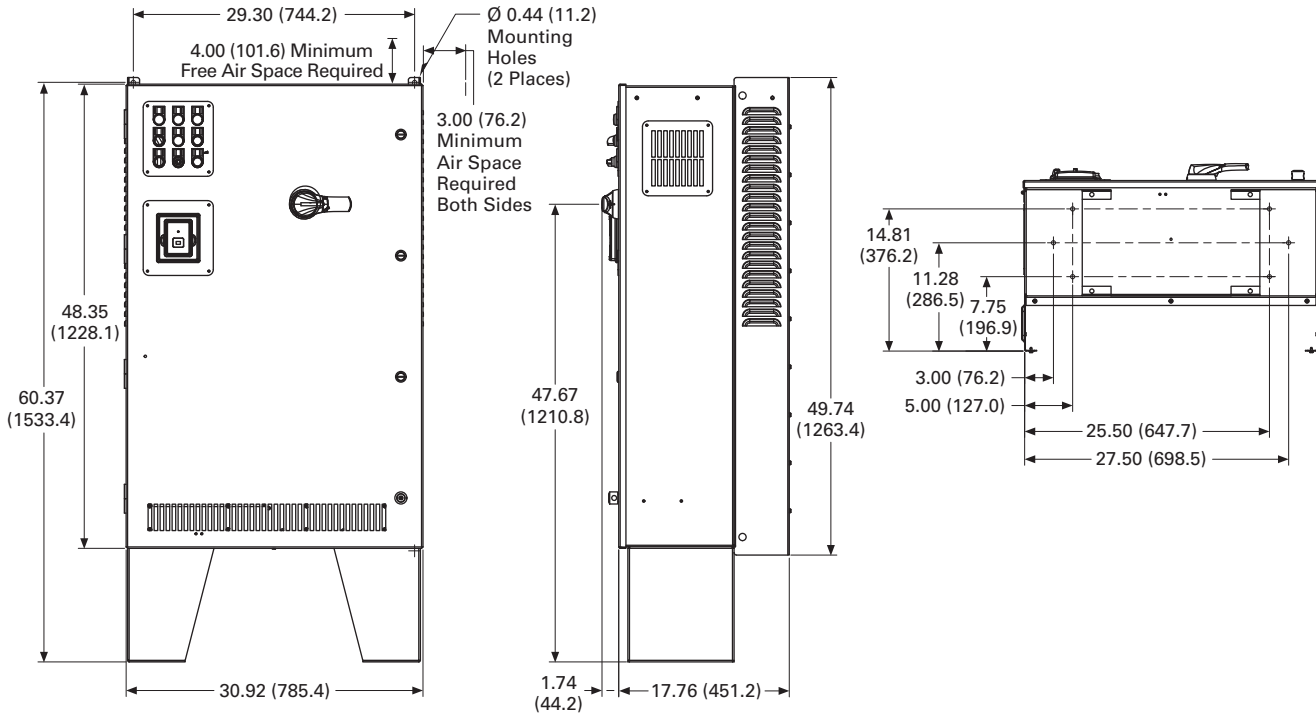
Adjustable Frequency Drives

Clean Power Drives

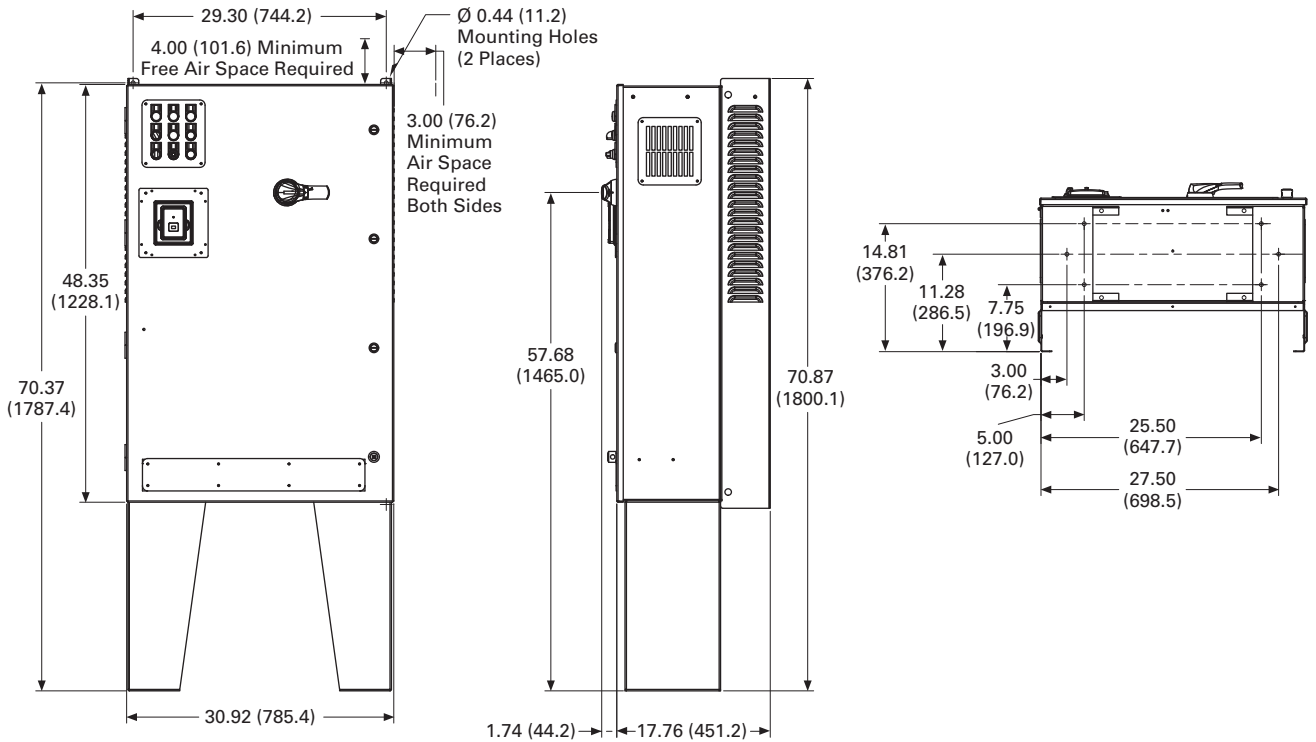
Approximate Dimensions in Inches (mm)

2

CX Box Type 1—12 Inch Floor Stands

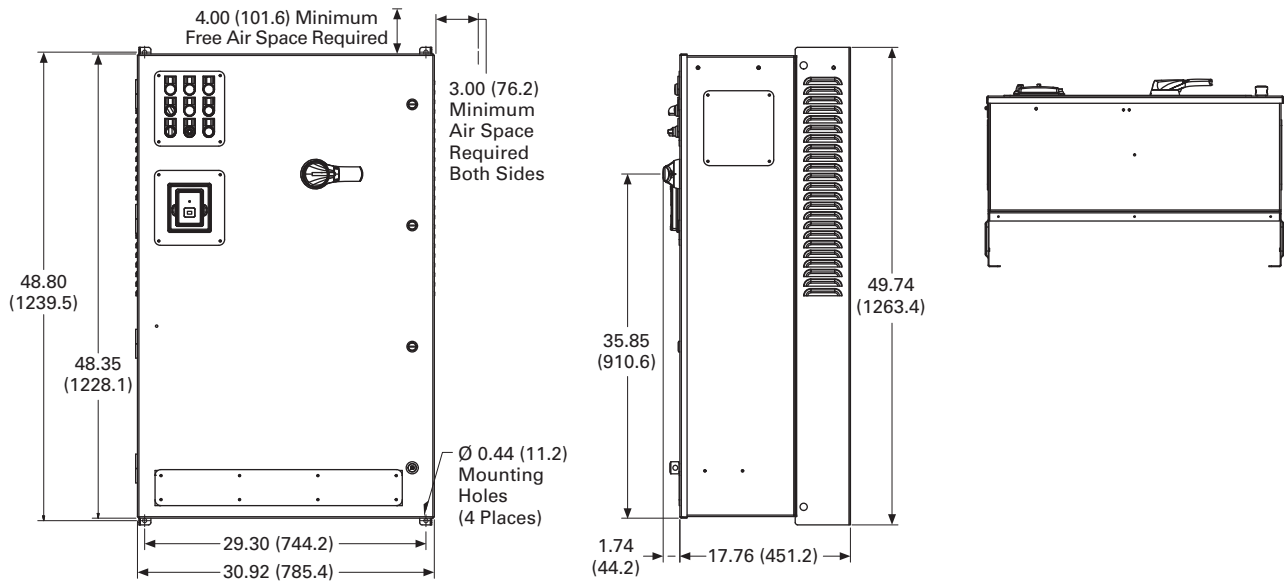


CX Box Type 1—22 Inch Floor Stands

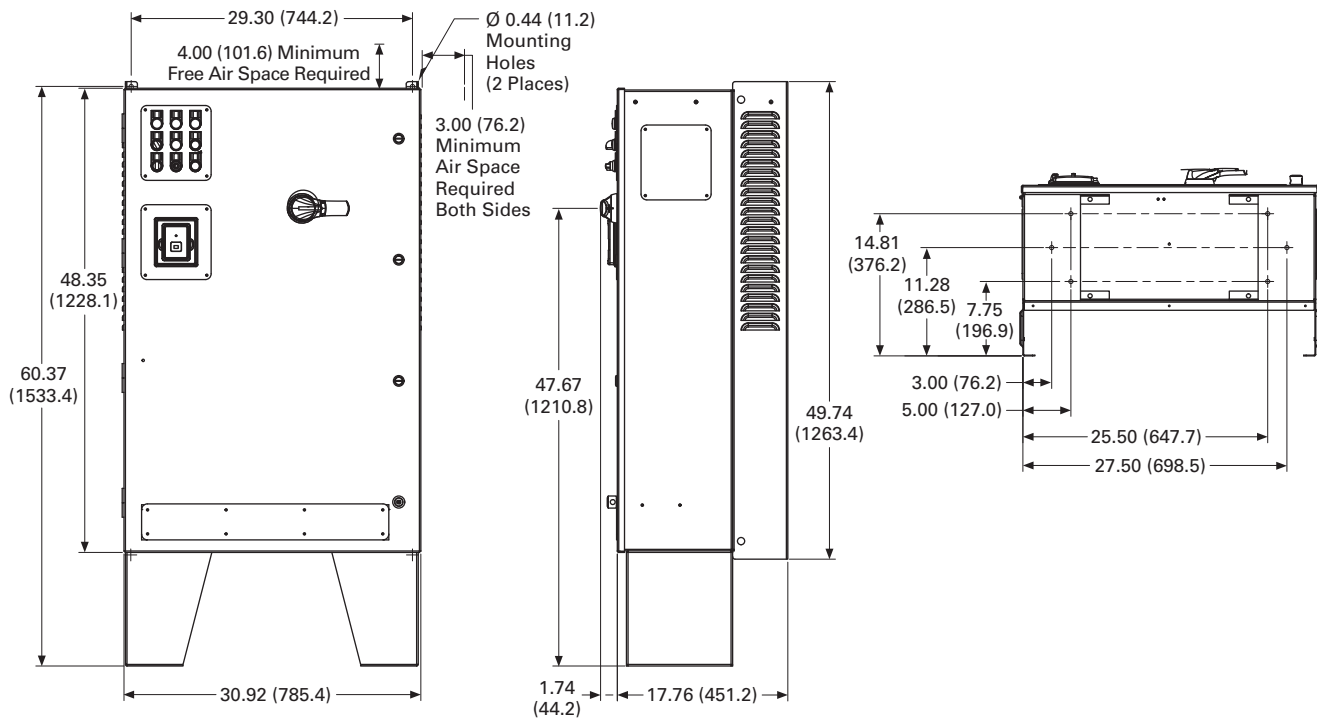


Approximate Dimensions in Inches (mm)

CX Box Type 12



CX Box Type 12—12 Inch Floor Stands



2.11

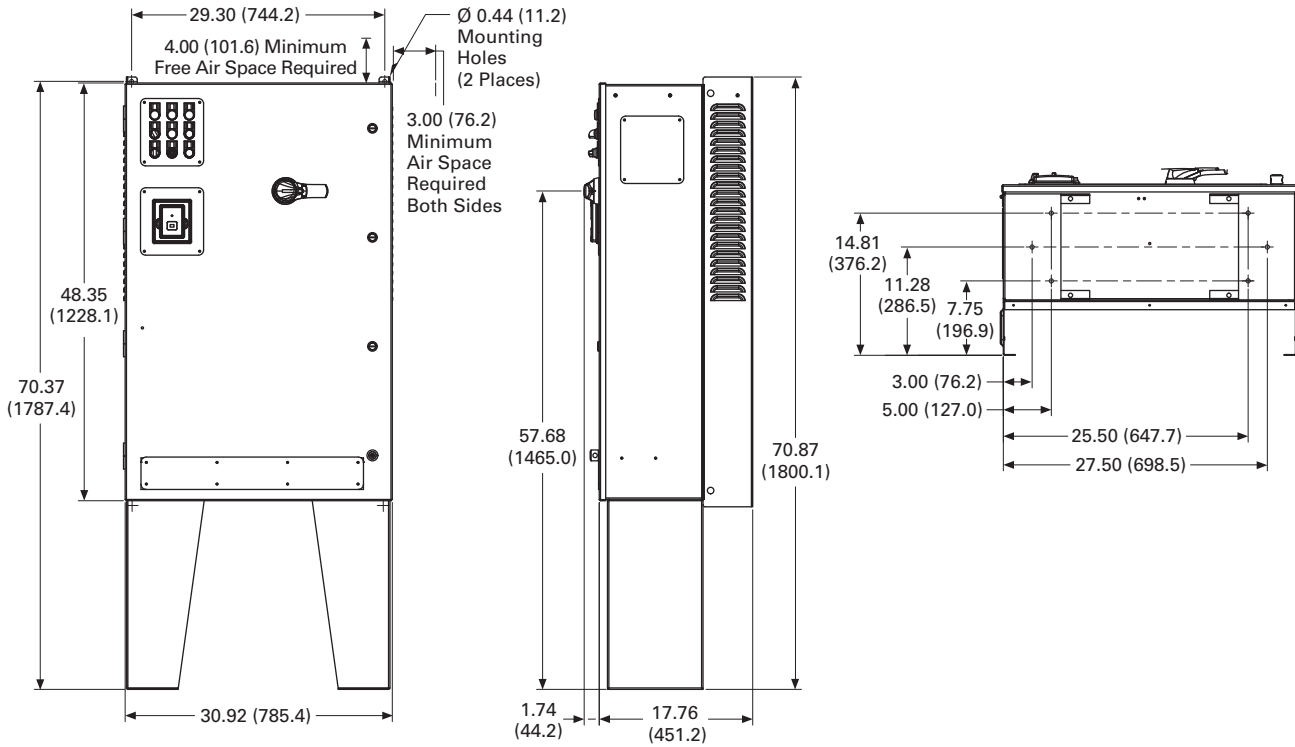
Adjustable Frequency Drives

Clean Power Drives

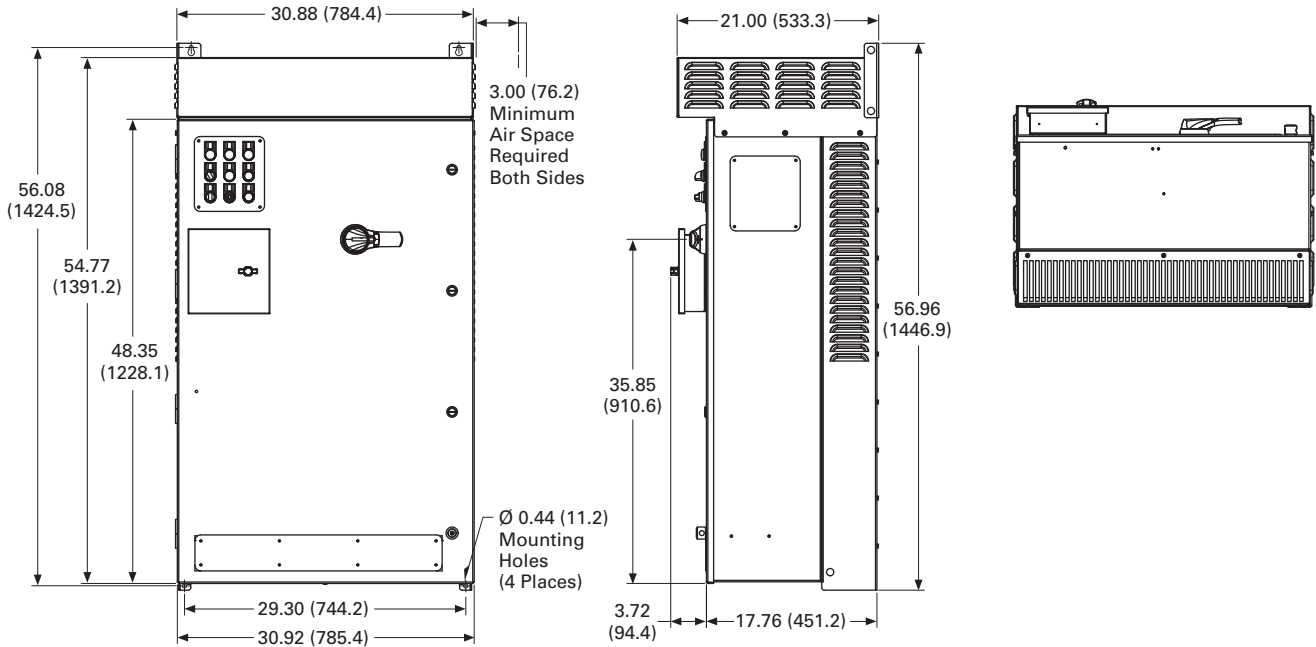
Approximate Dimensions in Inches (mm)

CX Box Type 12–22 Inch Floor Stands

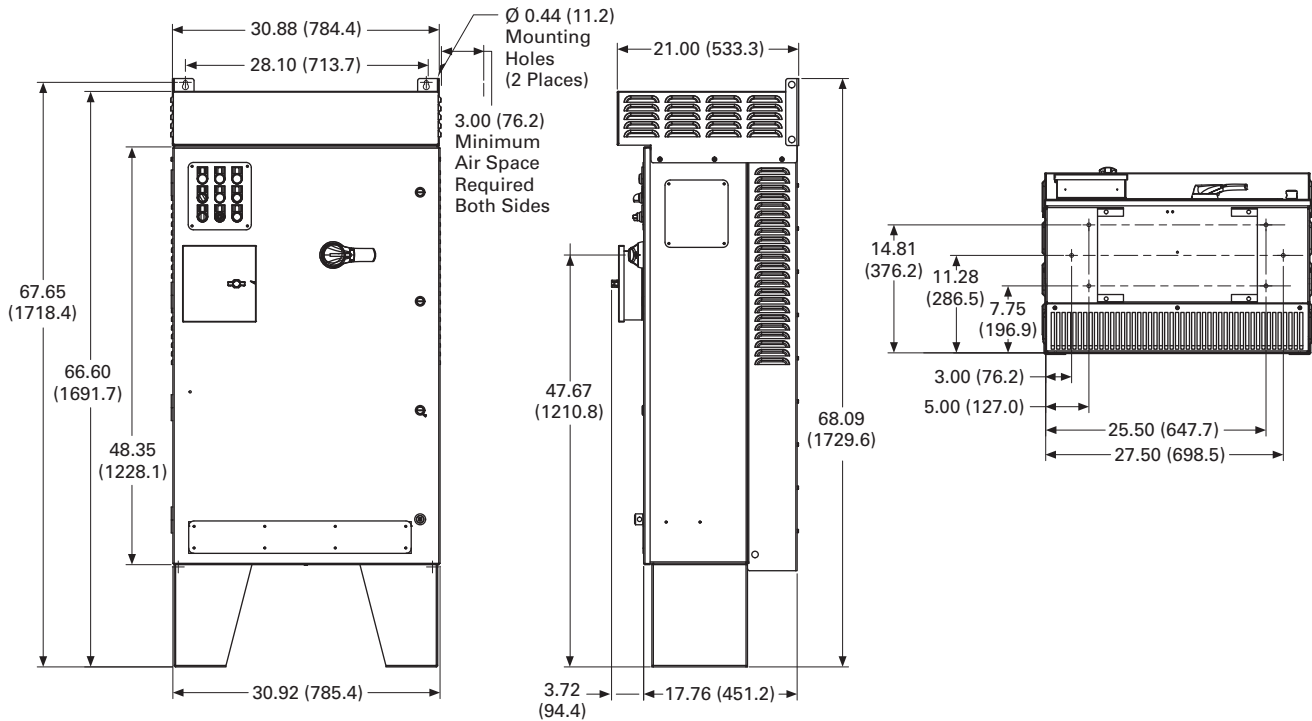
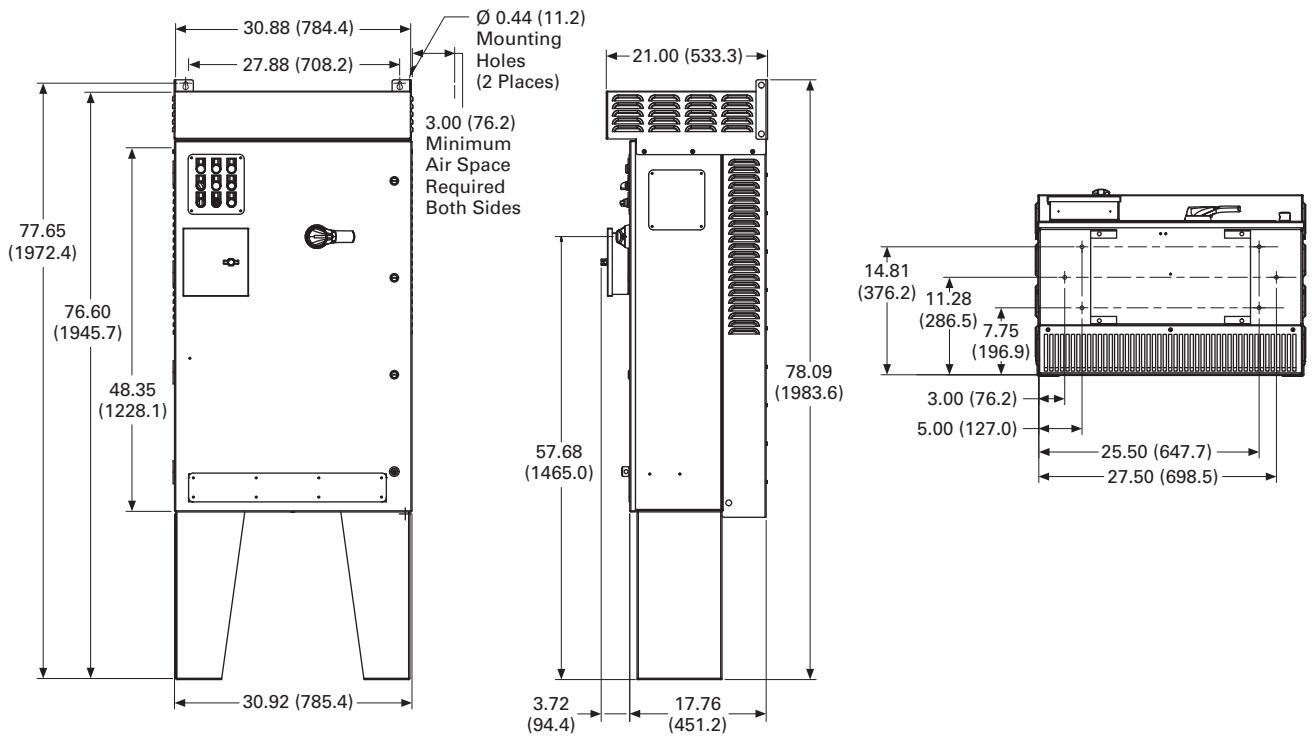
2



CX Box Type 3R



Approximate Dimensions in Inches (mm)

CX Box Type 3R—12 Inch Floor Stands**CX Box Type 3R—22 Inch Floor Stands**

2.11

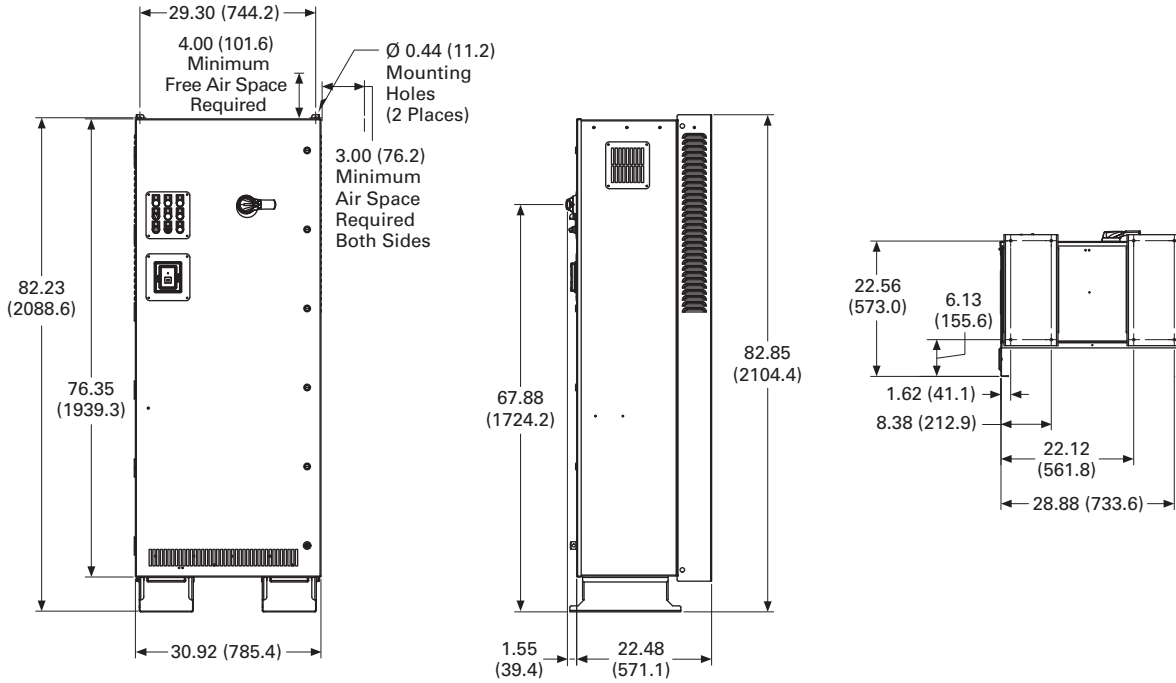
Adjustable Frequency Drives

Clean Power Drives

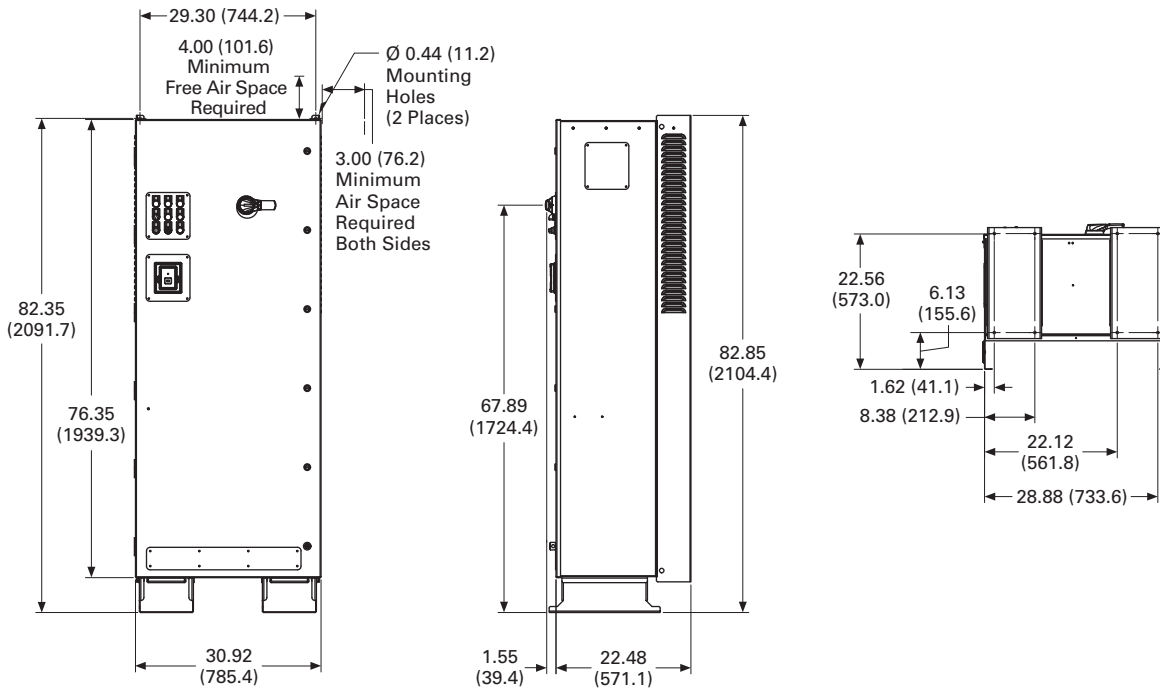
Approximate Dimensions in Inches (mm)

DX Box Type 1

2

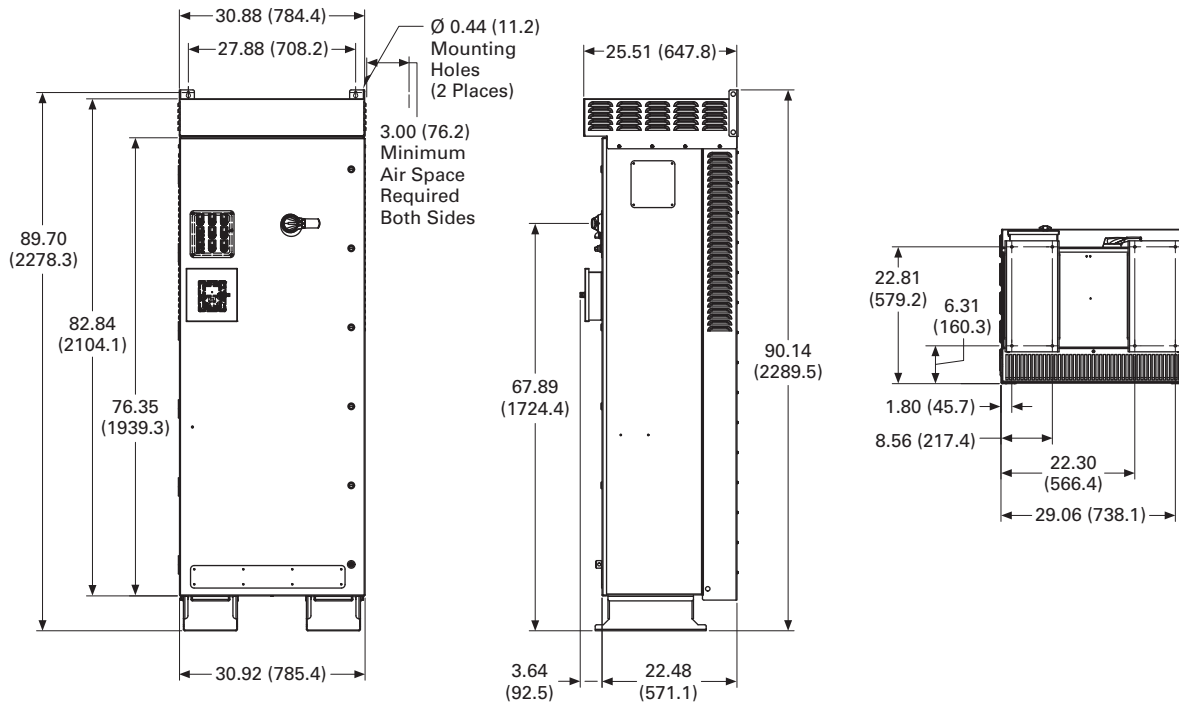


DX Box Type 12



Approximate Dimensions in Inches (mm)

DX Box Type 3R



2.11

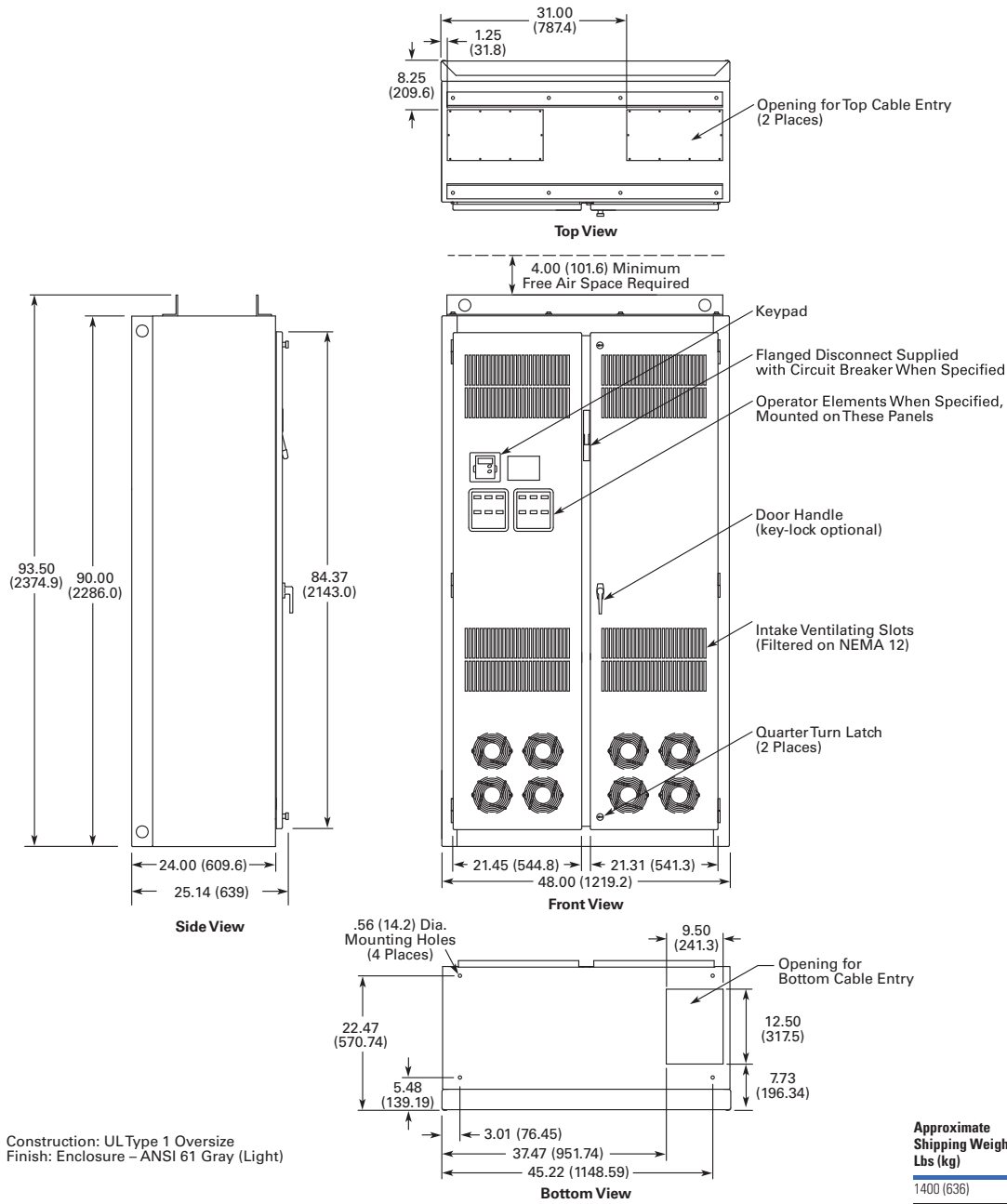
Adjustable Frequency Drives

Clean Power Drives

Approximate Dimensions in Inches (mm)

Size 8

2



Construction: UL Type 1 Oversize
Finish: Enclosure - ANSI 61 Gray (Light)

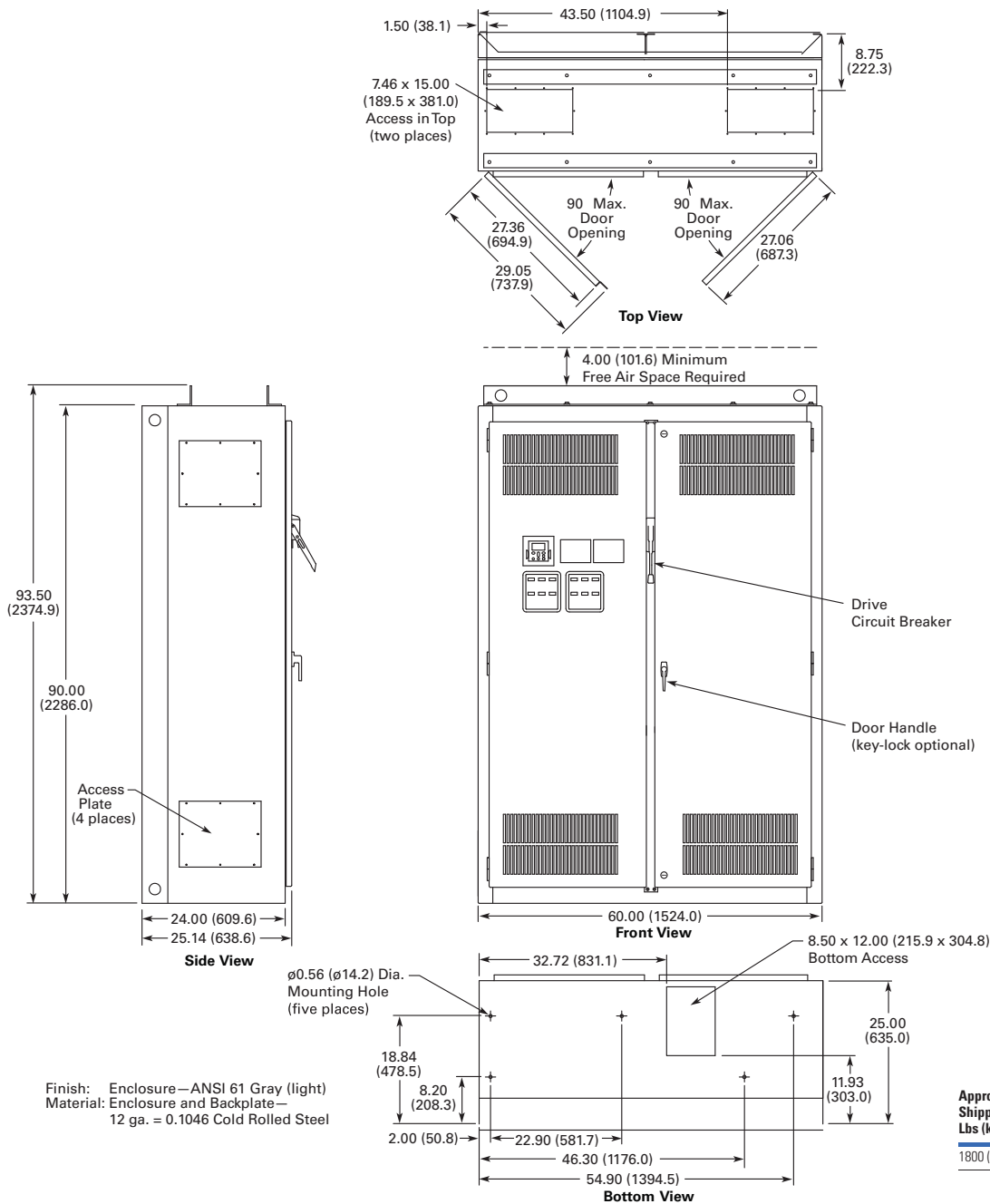
For reference only, dimensions are subject to change. See **Page V6-T2-329**, notes 3 and 5 for enclosure and option selection.

Wide A	High B	Deep C	Mounting D	D1	E	E1	F	G	G1	Door Height H	Min. Air Space J	K
48.0 (1219)	90.0 (2286)	24.0 (610)	42.2 (1072)	3.0 (77)	—	—	—	5.5 (139)	—	84.4 (2143)	4.0 (102)	—

Cable Entry															Max. Approx. Shipping Weight Lbs (kg)
L	M	N	P	R	S	T	U	V	W	RR	SS	TT	UU	VV	
9.5 (241)	37.5 (952)	12.5 (318)	7.7 (196)	8.3 (210)	1.3 (32)	31.0 (787)	21.5 (545)	21.3 (541)	—	93.5 (2375)	—	—	—	—	2000 (908)

Approximate Dimensions in Inches (mm)

Size 9



For reference only, dimensions are subject to change. See **Page V6-T2-329**, notes 3 and 5 for enclosure and option selection.

Wide A	High B	Deep C	Mounting D		E	E1	F	G	G1	Door Height H	Min. Air Space J	K
60.0 (1524)	90.0 (2286)	260.1 (664)	22.9 (582)	2.0 (51)	30.0 (762)	44.3 (1125)	10.6 (270)	10.6 (270)	8.2 (208)	—	4.0 (102)	—

Cable Entry															Max. Approx. Shipping Weight Lbs (kg)
L	M	N	P	R	S	T	U	V	W	RR	SS	TT	UU	VV	
8.5 (216)	32.7 (831)	12.0 (305)	11.9 (303)	9.8 (249)	1.5 (38)	43.5 (1105)	15.0 (381)	7.5 (191)	25.0 (635)	93.5 (2375)	27.4 (696)	290.1 (738)	270.1 (687)	—	2500 (1135)

2.11

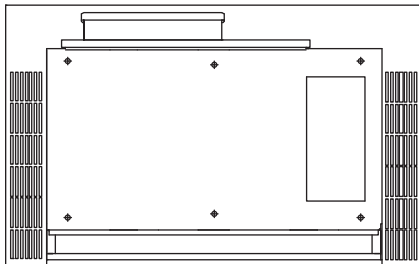
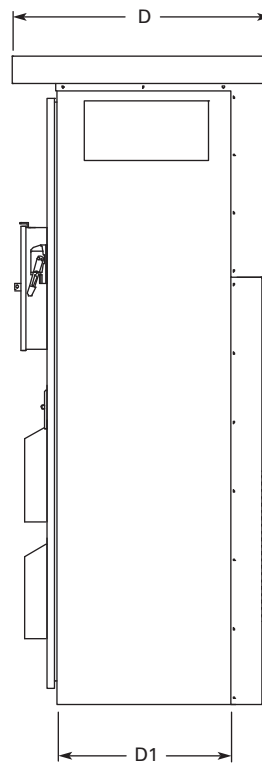
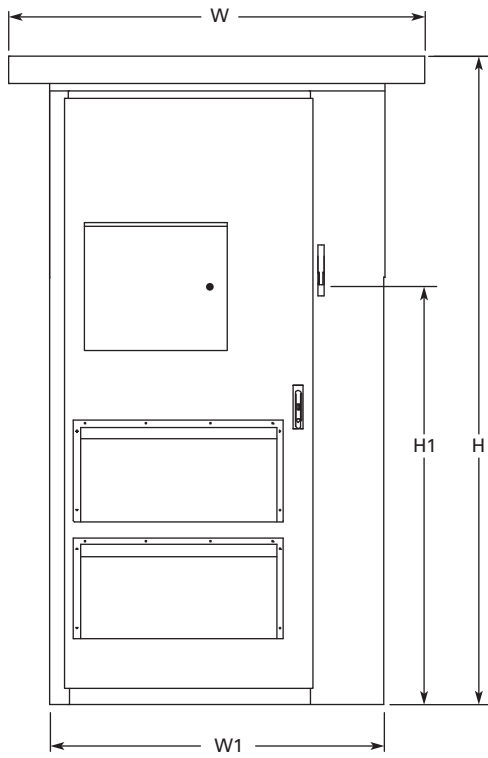
Adjustable Frequency Drives

Clean Power Drives

Approximate Dimensions in Inches (mm)

Enclosure Size F

2



H	H1	W	W1	D	D1	Approximate Weight Lbs (kg)	Approximate Shipping Weight Lbs (kg)
93.58 (2376.9)	69.51 (1765.60)	60.00 (1524.0)	48.00 (1219.2)	37.50 (952.5)	26.00 (660.4)	1700 (771)	1850 (839)

Enclosed 12-Pulse Drives**Contents**

Description	Page
Clean Power Drives Overview	V6-T2-298
Enclosed Passive Filtered Drives	
EGF Enclosed Drives	V6-T2-305
CFX Enclosed Drives	V6-T2-325
Enclosed 12-Pulse Drives	
Catalog Number Selection	V6-T2-352
Product Selection	V6-T2-353
Dimensions	V6-T2-354
Enclosed 18-Pulse Drives	V6-T2-355
Enclosed Regenerative Drives	V6-T2-379

HCX Enclosed 12-Pulse Drives**Product Description**

The Enclosed HCX Drives is specifically tailored for HVAC applications where clean power is necessary. The Enclosed HCX Drive uses Eaton's SVX drive with a 12-pulse phase shifting transformer to deliver a substantial reduction in voltage and current harmonics.

Standards and Certifications

- UL 508C



2.11

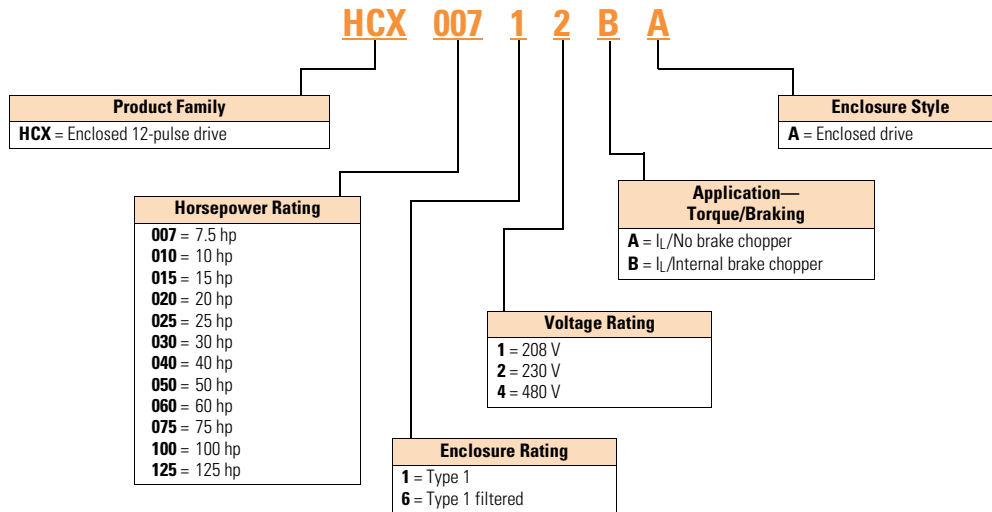
Adjustable Frequency Drives

Clean Power Drives

Catalog Number Selection

2

HCX Enclosed 12-Pulse Drives



Product Selection

208 V Drives

HCX Enclosed Drives



208 V Drives—Variable Torque (VT)/Low Overload (L) Enclosed Drives

hp	Current (A)	Drive Frame Size	NEMA Type 1 Base Catalog Number ^①	NEMA Type 1 Filtered Base Catalog Number ^①
7.5	24.2	5	HCX00711BA	HCX00761BA
10	30.8	5	HCX01011BA	HCX01061BA
15	46.2	6	HCX01511BA	HCX01561BA
20	59.4	6	HCX02011BA	HCX02061BA
25	74.8	7	HCX02511AA	HCX02561AA
30	88	7	HCX03011AA	HCX03061AA
40	114	7	HCX04011AA	HCX04061AA
50	143	8	HCX05011AA	HCX05061AA
60	169	8	HCX06011AA	HCX06061AA

230 V Drives

HCX Enclosed Drives



230 V Drives—Variable Torque (VT)/Low Overload (L) Enclosed Drives

hp	Current (A)	Drive Frame Size	NEMA Type 1 Base Catalog Number ^①	NEMA Type 1 Filtered Base Catalog Number ^①
7.5	22	5	HCX00712BA	HCX00762BA
10	28	5	HCX01012BA	HCX01062BA
15	42	6	HCX01512BA	HCX01562BA
20	54	6	HCX02012BA	HCX02062BA
25	68	7	HCX02512AA	HCX02562AA
30	80	7	HCX03012AA	HCX03062AA
40	104	7	HCX04012AA	HCX04062AA
50	130	8	HCX05012AA	HCX05062AA
60	154	8	HCX06012AA	HCX06062AA

480 V Drives

HCX Enclosed Drives



480 V Drives—Variable Torque (VT)/Low Overload (L) Enclosed Drives

hp	Current (A)	Drive Frame Size	NEMA Type 1 Base Catalog Number ^①	NEMA Type 1 Filtered Base Catalog Number ^①
25	34	6	HCX02514BA	HCX02564BA
30	40	6	HCX03014BA	HCX03064BA
40	52	6	HCX04014BA	HCX04064BA
50	65	7	HCX05014AA	HCX05064AA
60	77	7	HCX06014AA	HCX06064AA
75	96	7	HCX07514AA	HCX07564AA
100	124	8	HCX10014AA	HCX10064AA
125	156	8	HCX12514AA	HCX12564AA

Note

^① Table is for base catalog number reference only. For complete catalog number selection, see [Page V6-T2-352](#).

2.11

Adjustable Frequency Drives

Clean Power Drives

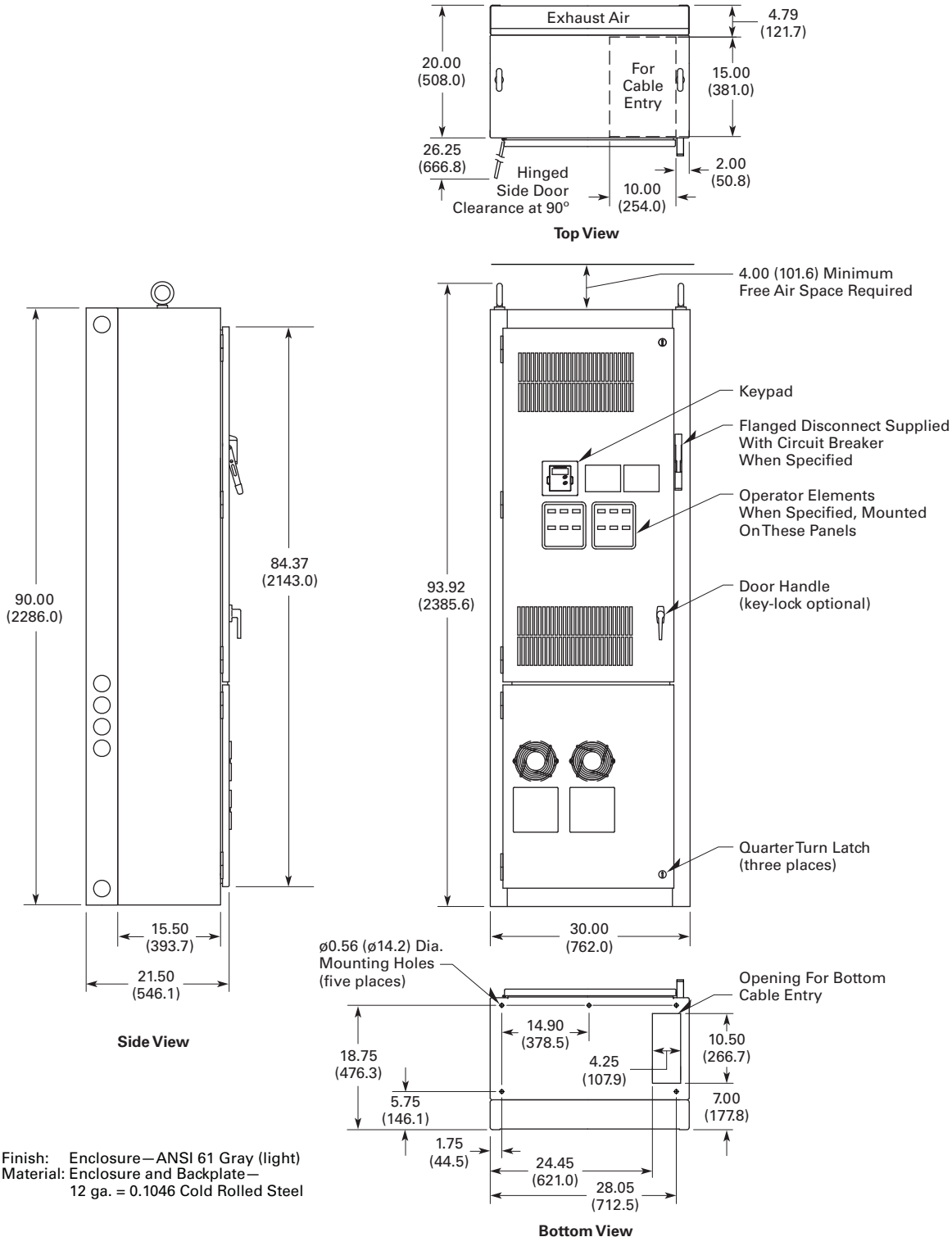
Dimensions

Approximate Dimensions in Inches (mm)

2

Enclosure Size 7

25–150 hp I_L and 25–125 hp I_H 480 V – 25–100 hp I_L and 25–75 hp I_H 575 V



Enclosed 18-Pulse Drives**Contents**

Description	Page
Enclosed Passive Filtered Drives	V6-T2-304
Enclosed 18-Pulse Drives	
Catalog Number Selection	V6-T2-357
Product Selection	V6-T2-358
Options	V6-T2-366
Technical Data and Specifications	V6-T2-371
Wiring Diagrams	V6-T2-373
Dimensions	V6-T2-374

CPX Enclosed 18-Pulse Drives**Product Description**

Eaton's enclosed 18-pulse drives use advanced 18-pulse technology that significantly reduces line harmonics at the drive input terminals, resulting in one of the purest sinusoidal waveforms available.

The enclosed 18-pulse drive also delivers True Power Factor—in addition to reducing harmonic distortion, the enclosed 18-pulse drive prevents upstream transformer overheating and overloading of breakers and feeders, enabling the application of adjustable frequency drives on generators and other high impedance power systems.

Features and Benefits

Enclosed 18-pulse drive features include:

- Space optimized enclosure
- Simple layout for power options
- NEMA Type 1, Type 1 filtered and gasketed, Type 3R
- Input voltage: 480 V, 208 V, 575 V
- Complete range of control, network and power options
- Horsepower range:
 - 480 V, 25–800 hp (consult factory for larger sizes)
 - 208/230 V, 25–200 hp
 - 575 V, 25–800 hp (consult factory for larger sizes)
- Over 15 years of 18-pulse clean power experience
- 65 kAIC Standard at 480 V and 208 V
- 100 kAIC optional

Standards and Certifications

UL 508C



2.11

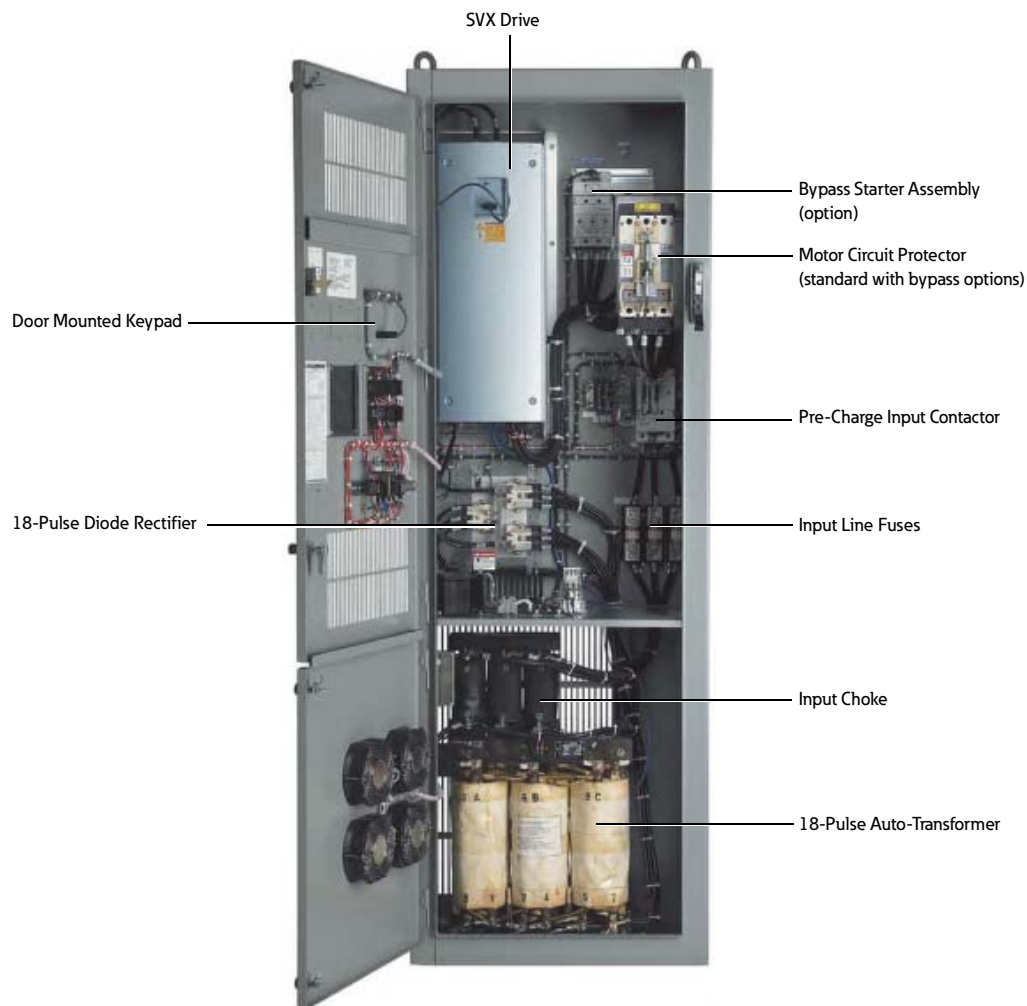
Adjustable Frequency Drives

Clean Power Drives

Product Identification

2

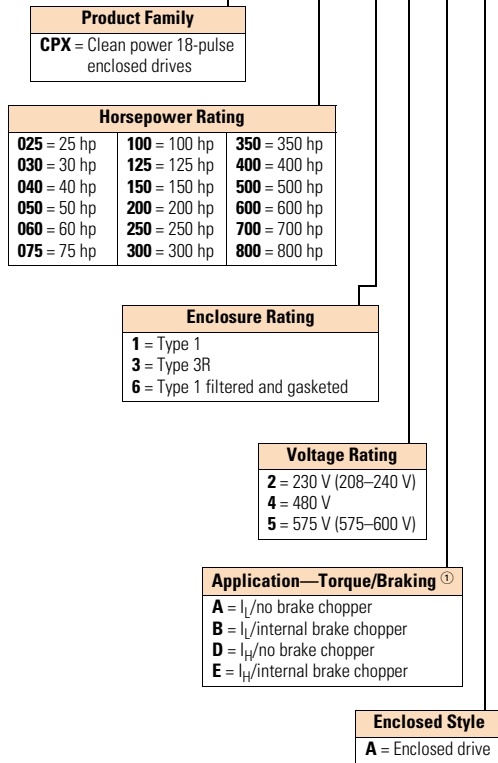
Type 1, 25–150 hp (30 x 90 x 21.50)



Catalog Number Selection

Enclosed 18-Pulse Drive

CPX 100 1 4 A A



Build options alphabetically and numerically.

Enclosed Options ^{②③④}		Type
K1	Door-mounted speed potentiometer ^⑤	Control
K2	Door-mounted speed potentiometer with HOA selector switch ^⑤	Control
K4	HAND/OFF/AUTO switch 0.87-inch (22 mm)	Control
K5	MANUAL/AUTO reference switch 0.87-inch (22 mm)	Control
K6	START/STOP pushbuttons 0.87-inch (22 mm)	Control
KF	Bypass test switch for RA	Addl. bypass
K0	Standard elapsed time meter	Control
L1	Power, RUN and fault pilot lights	Light
L2	Bypass pilot lights for RA, RB, bypass options	Addl. bypass
LE	Red RUN light	Light
P1	Input disconnect	Input
P8	Surge protective device	Input
PE	Output contactor	Output
PF	Output filter	Output
PG	MotoRx (up to 600 ft [182.9 m]) 1000 V/μS dV/dt filter	Output
PH	Single overload relay	Output
PI	Dual overload relays	Output
PN	Dual overloads for bypass	Addl. bypass
RA	Manual HOA bypass controller	Bypass
RC	Auto transfer HOA bypass controller	Bypass
RG	Reduced voltage starter for bypass	Bypass
S7	10.00-inch (254.0 mm) expansion	Enclosure
S8	20.00-inch (508.0 mm) expansion	Enclosure
S9	Space heater	Enclosure

Communication Options ^⑥	
C2 = Modbus [®]	CA = Johnson Controls N2
C3 = PROFIBUS [®] DP	CI = Modbus TCP
C4 = LonWorks [®]	CJ = BACnet
C5 = PROFIBUS DP (D9 connector)	CO = EtherNet/IP
C6 = CANopen (slave)	D3 = RS-232 with D9 connection
C7 = DeviceNet [™]	
C8 = Modbus (D9 Type connector)	

Control Options
B1 = 6 DI, 1 ext +24 Vdc/ext +24 Vdc
B2 = 1 RO (NC/NO), 1 RO (NO), 1 therm
B4 = 1 AI (mA isolated), 2 AO (mA isolated), 1 ext +24 Vdc/EXT +24 Vdc
B5 = 3 RO (NO)
B8 = 1 ext +24 Vdc/ext +24 Vdc, 3 Pt100
B9 = 1 RO (NO), 5 DI 42–240 Vac input

Engineered Options
VB Varnished boards

Notes

- ① Brake chopper is standard in drives up to 30 hp I_H or 40 hp I_L at 480 V. It is optional in larger drives.
- ② Local/remote keypad is included as the standard control panel.
- ③ Some options are voltage and/or horsepower specific. Consult your Eaton representative for details.
- ④ See **Pages V6-T2-368 and V6-T2-369** for complete descriptions.
- ⑤ Includes local/remote speed reference switch.
- ⑥ See **Pages V6-T2-366 and V6-T2-367** for complete descriptions.

2.11

Adjustable Frequency Drives

Clean Power Drives

Product Selection

When Ordering

2

- Select a base catalog number that meets the application requirements—nominal horsepower, voltage and enclosure rating. (The enclosed drive's continuous output amp rating should be equal to or greater than the motor's full load amp rating.) The base-enclosed package includes a standard drive, door-mounted alphanumeric panel and enclosure.

Ambient Temperature Ratings

Frame Size	I _H	I _L
FR4–FR9	50 °C	50 °C
FR10 and above	40 °C	40 °C

- If dynamic brake chopper or control/communication option is desired, change the appropriate code in the base catalog number.
- All of the programming is exactly the same as the standard SVX drive.
- Select enclosed options. Add the codes as suffixes to the base catalog number in alphabetical and numeric order.

208 V Drives

Enclosed 18-Pulse Drive



Enclosed 18-Pulse Base Drive Type 1

Enclosure Size ^①	hp ^②	Current (A)	Chassis Frame	Base Catalog Number ^③
Low Overload Drive				
7	25	75	FR7	CPX02512AA
	30	88	FR7	CPX03012AA
	40	114	FR7	CPX04012AA
	50	143	FR8	CPX05012AA
	60	169	FR8	CPX06012AA
	75	211	FR8	CPX07512AA
8	100	273	FR9	CPX10012AA
9	125	343	FR8T	CPX12512AA
	150	396	FR8T	CPX15012AA
10	200	480	FR9T	CPX20012AA
High Overload Drive				
7	25	75	FR7	CPX02512DA
	30	88	FR7	CPX03012DA
	40	114	FR8	CPX04012DA
	50	143	FR8	CPX05012DA
	60	169	FR8	CPX06012DA
	75	211	FR8	CPX07512DA
8	100	273	FR9	CPX10012DA
9	125	343	FR8T	CPX12512DA
	150	396	FR8T	CPX15012DA
10	200	480	FR9T	CPX20012DA

Notes

- ① See enclosure dimensions beginning on **Page V6-T2-374**.
- ② hp ratings are provided as a guideline. Drives should be sized per motor nameplate FLA.
- ③ The 18-pulse clean power assembly includes a standard drive, door-mounted local/remote keypad and enclosure.

Enclosed 18-Pulse Drive



Enclosed 18-Pulse Base Drive NEMA 12 Filtered

Enclosure Size ^①	hp ^②	Current (A)	Chassis Frame	Base Catalog Number ^③
Low Overload Drive				
7	25	75	FR7	CPX02562AA
	30	88	FR7	CPX03062AA
	40	114	FR7	CPX04062AA
	50	143	FR8	CPX05062AA
	60	169	FR8	CPX06062AA
	75	211	FR8	CPX07562AA
8	100	273	FR9	CPX10062AA
9	125	343	FR8T	CPX12562AA
	150	396	FR8T	CPX15052AA
10	200	480	FR9T	CPX20062AA
High Overload Drive				
7	25	75	FR7	CPX02562DA
	30	88	FR7	CPX03062DA
	40	114	FR8	CPX04062DA
	50	143	FR8	CPX05062DA
	60	169	FR8	CPX06062DA
	75	211	FR9	CPX07562DA
8	100	273	FR8T	CPX10062DA
9	125	343	FR8T	CPX12562DA
	150	396	FR9T	CPX15062DA
10	200	480	FR9T	CPX20062DA

Enclosed 18-Pulse Base Drive Type 3R ^④

Enclosure Size ^①	hp ^②	Current (A)	Chassis Frame	Base Catalog Number ^③
Low Overload Drive				
7	25	75	FR7	CPX02532AA
	30	88	FR7	CPX03032AA
	40	114	FR7	CPX04032AA
	50	143	FR8	CPX05032AA
	60	169	FR8	CPX06032AA
	75	211	FR8	CPX07532AA
8	100	273	FR9	CPX10032AA
9	125	343	FR8T	CPX12532AA
High Overload Drive				
7	25	75	FR7	CPX02532DA
	30	88	FR7	CPX03032DA
	40	114	FR8	CPX04032DA
	50	143	FR8	CPX05032DA
	60	169	FR8	CPX06032DA
	75	211	FR9	CPX07532DA
8	100	273	FR8T	CPX10032DA

Notes

- ^① See enclosure dimensions beginning on **Page V6-T2-374**.
- ^② hp ratings are provided as a guideline. Drives should be sized per motor nameplate FLA.
- ^③ The 18-pulse clean power assembly includes a standard drive, door-mounted local/remote keypad and enclosure.
- ^④ All Type 3R drives use the Size F enclosure.

480 V Drives

2

Enclosed 18-Pulse Drive



Enclosed 18-Pulse Base Drive Type 1

Enclosure Size ^①	hp ^②	Current (A)	Chassis Frame	Base Catalog Number ^③
Low Overload Drive				
7	25	34	FR6	CPX02514BA
	30	40	FR6	CPX03014BA
	40	52	FR6	CPX04014BA
	50	65	FR7	CPX05014AA
	60	77	FR7	CPX06014AA
	75	96	FR7	CPX07514AA
	100	124	FR8	CPX10014AA
	125	156	FR8	CPX12514AA
8	150	180	FR8	CPX15014AA
	200	240	FR9	CPX20014AA
8	250	300	FR9	CPX25014AA
	300	361	FR10	CPX30014AA
9	350	414	FR10	CPX35014AA
	400	477	FR10	CPX40014AA
	500	590	FR11	CPX50014AA
10	550	650	FR11	CPX55014AA
	600	730	FR11	CPX60014AA
	650	820	FR12	CPX65014AA
11	700	920	FR12	CPX70014AA
	800	1030	FR12	CPX80014AA
	High Overload Drive			
7	25	34	FR6	CPX02514EA
	30	40	FR6	CPX03014EA
	40	52	FR7	CPX04014DA
	50	65	FR7	CPX05014DA
	60	77	FR7	CPX06014DA
	75	96	FR8	CPX07514DA
	100	124	FR8	CPX10014DA
	125	156	FR8	CPX12514DA
8	150	180	FR9	CPX15014DA
	200	240	FR9	CPX20014DA
9	250	302	FR10	CPX25014DA
	300	361	FR10	CPX30014DA
	350	414	FR10	CPX35014DA
10	400	477	FR11	CPX40014DA
	500	590	FR11	CPX50014DA
	550	650	FR11	CPX55014DA
11	600	730	FR12	CPX60014DA
	650	820	FR12	CPX65014DA
	700	920	FR12	CPX70014DA

Notes

① See enclosure dimensions beginning on [Page V6-T2-374](#).

② hp ratings are provided as a guideline. Drives should be sized per motor nameplate FLA.

③ The 18-pulse clean power assembly includes a standard drive, door-mounted local/remote keypad and enclosure.

Enclosed 18-Pulse Drive



Enclosed 18-Pulse Base Drive NEMA 12 Filtered

Enclosure Size ^①	hp ^②	Current (A)	Chassis Frame	Base Catalog Number ^③
Low Overload Drive				
7	25	34	FR6	CPX02564BA
	30	40	FR6	CPX03064BA
	40	52	FR6	CPX04064BA
	50	65	FR7	CPX05064AA
	60	77	FR7	CPX06064AA
	75	96	FR7	CPX07564AA
	100	124	FR8	CPX10064AA
	125	156	FR8	CPX12564AA
8	200	240	FR9	CPX20064AA
	250	300	FR9	CPX25064AA
9	300	361	FR10	CPX30064AA
	350	414	FR10	CPX35064AA
	400	477	FR10	CPX40064AA
10	500	590	FR11	CPX50064AA
	550	650	FR11	CPX55064AA
	600	730	FR11	CPX60064AA
11	650	820	FR11	CPX65064AA
	700	920	FR12	CPX70064AA
	800	1030	FR12	CPX80064AA
High Overload Drive				
7	25	34	FR6	CPX02564EA
	30	40	FR6	CPX03064EA
	40	52	FR7	CPX04064DA
	50	65	FR7	CPX05064DA
	60	77	FR7	CPX06064DA
	75	96	FR8	CPX07564DA
	100	124	FR8	CPX10064DA
	125	156	FR8	CPX12564DA
8	150	180	FR9	CPX15064DA
	200	240	FR9	CPX20064DA
9	250	302	FR10	CPX25064DA
	300	361	FR10	CPX30064DA
	350	414	FR10	CPX35014DA
10	400	477	FR11	CPX40064DA
	500	590	FR11	CPX50064DA
	550	650	FR11	CPX55064DA
11	600	730	FR12	CPX60064DA
	650	820	FR12	CPX65064DA
	700	920	FR12	CPX70064DA

Notes

① See enclosure dimensions beginning on **Page V6-T2-374**.

② hp ratings are provided as a guideline. Drives should be sized per motor nameplate FLA.

③ The 18-pulse clean power assembly includes a standard drive, door-mounted local/remote keypad and enclosure.

Enclosed 18-Pulse Drive



Enclosed 18-Pulse Base Drive Type 3R ①

Enclosure Size ②	hp ③	Current (A)	Chassis Frame	Base Catalog Number ④
Low Overload Drive				
7	25	34	FR6	CPX02534AA
	30	40	FR6	CPX03034AA
	40	52	FR6	CPX04034AA
	50	65	FR7	CPX05034AA
	60	77	FR7	CPX06034AA
	75	96	FR7	CPX07534AA
	100	124	FR8	CPX10034AA
	125	156	FR8	CPX12534AA
	150	180	FR8	CPX15034AA
8	200	240	FR9	CPX20034AA
	250	300	FR9	CPX25034AA
High Overload Drive				
7	25	34	FR6	CPX02534DA
	30	40	FR6	CPX03034DA
	40	52	FR7	CPX04034DA
	50	65	FR7	CPX05034DA
	60	77	FR7	CPX06034DA
	75	96	FR8	CPX07534DA
	100	124	FR8	CPX10034DA
	125	156	FR8	CPX12534DA
	150	180	FR8	CPX15034DA
8	200	240	FR9	CPX20034DA
	250	300	FR9	CPX25034DA

Notes

- ① All Type 3R drives use the Size F enclosure.
- ② See enclosure dimensions beginning on **Page V6-T2-374**.
- ③ hp ratings are provided as a guideline. Drives should be sized per motor nameplate FLA.
- ④ The 18-pulse clean power assembly includes a standard drive, door-mounted local/remote keypad and enclosure.

575 V Drives

Enclosed 18-Pulse Drive



Enclosed 18-Pulse Base Drive Type 1

Enclosure Size ^①	hp ^②	Current (A)	Chassis Frame	Base Catalog Number ^③
Low Overload Drive				
7	25	27	FR6	CPX02515AA
	30	32	FR6	CPX03015AA
	40	41	FR7	CPX04015AA
	50	52	FR7	CPX05015AA
	60	62	FR8	CPX06015AA
	75	77	FR8	CPX07515AA
	100	99	FR8	CPX10015AA
8	125	125	FR9	CPX12515AA
	150	144	FR9	CPX15015AA
	200	192	FR9	CPX20015AA
9	250	242	FR10	CPX25015AA
	300	289	FR10	CPX30015AA
	400	382	FR10	CPX40015AA
10	500	472	FR11	CPX50015AA
	600	730	FR11	CPX60015AA
11	650	820	FR12	CPX65015AA
	700	920	FR12	CPX70015AA
	800	1030	FR12	CPX80015AA
High Overload Drive				
7	25	27	FR6	CPX02515DA
	30	32	FR7	CPX03015DA
	40	41	FR7	CPX04015DA
	50	52	FR8	CPX05015DA
	60	62	FR8	CPX06015DA
	75	77	FR8	CPX07515DA
8	100	99	FR9	CPX10015DA
	125	125	FR9	CPX12515DA
	150	144	FR9	CPX15015DA
9	200	192	FR10	CPX20015DA
	250	242	FR10	CPX25015DA
	300	289	FR10	CPX30015DA
10	400	382	FR11	CPX40015DA
	450	472	FR11	CPX45015DA
	500	730	FR11	CPX50015DA
11	600	820	FR12	CPX60015DA
	650	920	FR12	CPX65015DA
	700	1030	FR12	CPX70015DA

Notes

① See enclosure dimensions beginning on **Page V6-T2-374**.

② hp ratings are provided as a guideline. Drives should be sized per motor nameplate FLA.

③ The 18-pulse clean power assembly includes a standard drive, door-mounted local/remote keypad and enclosure.

Enclosed 18-Pulse Drive

2



Enclosed 18-Pulse Base Drive NEMA 12 Filtered

Enclosure Size ^①	hp ^②	Current (A)	Chassis Frame	Base Catalog Number ^③
Low Overload Drive				
7	25	27	FR6	CPX02565AA
	30	32	FR6	CPX03065AA
	40	41	FR7	CPX04065AA
	50	52	FR7	CPX05065AA
	60	62	FR8	CPX06065AA
	75	77	FR8	CPX07565AA
	100	99	FR8	CPX10065AA
8	125	125	FR9	CPX12565AA
	150	144	FR9	CPX15065AA
	200	192	FR9	CPX20065AA
9	250	242	FR10	CPX25065AA
	300	289	FR10	CPX30065AA
	400	382	FR10	CPX40065AA
10	500	472	FR11	CPX50065AA
	600	730	FR11	CPX60065AA
11	650	820	FR12	CPX65065AA
	700	920	FR12	CPX70065AA
	800	1030	FR12	CPX80065AA
High Overload Drive				
7	25	27	FR6	CPX02565DA
	30	32	FR7	CPX03065DA
	40	41	FR7	CPX04065DA
	50	52	FR8	CPX05065DA
	60	62	FR8	CPX06065DA
	75	77	FR8	CPX07565DA
	8	100	99	FR9
125		125	FR9	CPX12565DA
150		144	FR9	CPX15065DA
9	200	192	FR10	CPX20065DA
	250	242	FR10	CPX25065DA
	300	289	FR10	CPX30065DA
10	400	382	FR11	CPX40065DA
	450	472	FR11	CPX45065DA
	500	730	FR11	CPX50065DA
11	600	820	FR12	CPX60065DA
	650	920	FR12	CPX65065DA
	700	1030	FR12	CPX70065DA

Notes

- ① See enclosure dimensions beginning on **Page V6-T2-374**.
- ② hp ratings are provided as a guideline. Drives should be sized per motor nameplate FLA.
- ③ The 18-pulse clean power assembly includes a standard drive, door-mounted local/remote keypad and enclosure.

Enclosed 18-Pulse Drive

Enclosed 18-Pulse Base Drive Type 3R ^①

Enclosure Size ^②	hp ^③	Current (A)	Chassis Frame	Base Catalog Number ^④
Low Overload Drive				
7	25	27	FR6	CPX02535AA
	30	32	FR6	CPX03035AA
	40	41	FR7	CPX04035AA
	50	52	FR7	CPX05035AA
	60	62	FR8	CPX06035AA
	75	77	FR8	CPX07535AA
	100	99	FR8	CPX10035AA
8	125	125	FR9	CPX12535AA
	150	144	FR9	CPX15035AA
	200	192	FR9	CPX20035AA
High Overload Drive				
7	25	27	FR6	CPX02535DA
	30	32	FR7	CPX03035DA
	40	41	FR7	CPX04035DA
	50	52	FR8	CPX05035DA
	60	62	FR8	CPX06035DA
	75	77	FR8	CPX07535DA
8	100	99	FR9	CPX10035DA
	125	125	FR9	CPX12535DA
	150	144	FR9	CPX15035DA

Notes

- ^① All Type 3R drives use the Size F enclosure.
^② See enclosure dimensions beginning on **Page V6-T2-374**.
^③ hp ratings are provided as a guideline. Drives should be sized per motor nameplate FLA.
^④ The 18-pulse clean power assembly includes a standard drive, door-mounted local/remote keypad and enclosure.

2.11

Adjustable Frequency Drives

Clean Power Drives

Options

2

Enclosed 18-Pulse Drive Option Board Kits

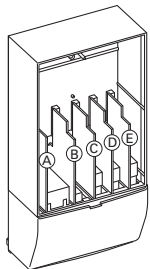
The enclosed 18-pulse drives can accommodate a wide selection of expander and adapter option boards to customize the drive for your application needs. The drive's control unit is designed to accept a total of five option boards (see figure below).

The enclosed 18-pulse drives factory-installed standard board configuration includes an A9 I/O board and an A2 relay output board, which are installed in slots A and B.

SVX Series Option Board Kits

Option Boards

Option Board Kits



Option Kit Description ^①	Allowed Slot Locations ^②	Field Installed Catalog Number	Factory Installed Option Designator	SVX Ready Programs						
				Basic	Local/Remote	Standard	MSS	PID	Multi-P.	PFC
Standard I/O Cards										
2 RO (NC/NO)	B	OPTA2	—	■	■	■	■	■	■	■
6 DI, 1 DO, 2 AI, 1 AO, 1 +10 Vdc ref, 2 ext +24 Vdc/ext +24 Vdc	A	OPTA9	—	■	■	■	■	■	■	■
Extended I/O Cards										
6 DI	B, C, D, E	OPTB1	B1	—	—	—	—	—	■	■
1 RO (NC/NO), 1 RO (NO), 1 therm	B, C, D, E	OPTB2	B2	—	—	—	—	—	■	■
1 AI (mA isolated), 2 AO (mA isolated)	B, C, D, E	OPTB4	B4	■	■	■	■	■	■	■
3 RO (NO)	B, C, D, E	OPTB5	B5	—	—	—	—	—	■	■
3 Pt100 RTD board	B, C, D, E	OPTB8	B8	—	—	—	—	—	■	—
1 RO (NO), 5 DI 42–240 Vac input	B, C, D, E	OPTB9	B9	—	—	—	—	—	■	■
Communication Cards ^③										
Modbus	D, E	OPTC2	C2	■	■	■	■	■	■	■
Modbus TCP	D, E	OPTCI	CI	■	■	■	■	■	■	■
BACnet	D, E	OPTCJ	CJ	■	■	■	■	■	■	■
EtherNet/IP	D, E	OPTCQ	CQ	■	■	■	■	■	■	■
Johnson Controls N2	D, E	OPTC2	CA	■	■	■	■	■	■	■
PROFIBUS DP	D, E	OPTC3	C3	■	■	■	■	■	■	■
LonWorks	D, E	OPTC4	C4	■	■	■	■	■	■	■
PROFIBUS DP (D9 connector)	D, E	OPTC5	C5	■	■	■	■	■	■	■
CANopen (slave)	D, E	OPTC6	C6	■	■	■	■	■	■	■
DeviceNet	D, E	OPTC7	C7	■	■	■	■	■	■	■
Modbus (D9 type connector)	D, E	OPTC8	C8	■	■	■	■	■	■	■
RS-232 with D9 connection	D, E	OPTD3	D3	■	■	■	■	■	■	■

Notes

- ① AI = Analog Input; AO = Analog Output, DI = Digital Input, DO = Digital Output, RO = Relay Output
- ② Option card must be installed in one of the slots listed for that card. Slot indicated in bold is the preferred location.
- ③ OPTC2 is a multi-protocol option card.

Modbus RTU Network Communications

The Modbus Network Card OPTC2 is used for connecting the SVX Drive as a slave on a Modbus network. The interface is connected by a 9-pin DSUB connector (female) and the baud rate ranges from 300 to 19,200 baud. Other communication parameters include an address range from 1 to 247; a parity of None, Odd or Even; and the stop bit is 1.

PROFIBUS Network Communications

The PROFIBUS Network Card OPTC3 is used for connecting the SVX Drive as a slave on a PROFIBUS-DP network. The interface is connected by a 9-pin DSUB connector (female). The baud rates range from 9.6 Kbaud to 12 Mbaud, and the addresses range from 1 to 127.

LonWorks Network Communications

The LonWorks Network Card OPTC4 is used for connecting the SVX Drive on a LonWorks network. This interface uses Standard Network Variable Types (SNVT) as data types. The channel connection is achieved using a FTT-10 A Free Topology transceiver via a single twisted transfer cable. The communication speed with LonWorks is 78 kBits/s.

CANopen (Slave) Communications

The CANopen (Slave) Network Card OPTC6 is used for connecting the SVX Drive to a host system. According to ISO11898 standard cables to be chosen for CANbus should have a nominal impedance of 120 ohms, and specific line delay of nominal 5 nS/m. 120 ohm line termination resistors required for installation.

DeviceNet Network Communications

The DeviceNet Network Card OPTC7 is used for connecting the SVX Drive on a DeviceNet Network. It includes a 5.08 mm pluggable connector. Transfer method is via CAN using a two-wire twisted shielded cable with two-wire bus power cable and drain. The baud rates used for communication include 125 Kbaud, 250 Kbaud and 500 Kbaud.

Johnson Controls Metasys N2 Network Communications

The OPTC2 fieldbus board provides communication between the SVX Drive and a Johnson Controls Metasys™ N2 network. With this connection, the drive can be controlled, monitored and programmed from the Metasys system. The N2 fieldbus is available as a factory-installed option and as a field-installable kit.

Modbus/TCP Network Communications

The Modbus/TCP Network Card OPTC1 is used for connecting the SVX Drive to Ethernet networks using Modbus protocol. It includes an RJ-45 pluggable connector. This interface provides a selection of standard and custom register values to communicate drive parameters. The board supports 10 Mbps and 100 Mbps communication speeds. The IP address of the board is configurable over Ethernet using a supplied software tool.

BACnet Network Communications

The BACnet Network Card OPTCJ is used for connecting the SVX Drive to BACnet networks. It includes a 5.08 mm pluggable connector. Data transfer is Master-Slave/Token Passing (MS/TP) RS-485. This interface uses a collection of 30 Binary Value Objects (BVOs) and 35 Analog Value Objects (AVOs) to communicate drive parameters. The card supports 9.6, 19.2 and 38.4 Kbaud communication speeds and supports network addresses 1 to 127.

EtherNet/IP Network Communications

The EtherNet/IP Network Card OPTCK is used for connecting the SVX Drive to Ethernet/Industrial Protocol networks. It includes an RJ-45 pluggable connector. The interface uses CIP objects to communicate drive parameters (CIP is "Common Industrial Protocol," the same protocol used by DeviceNet). The board supports 10 Mbps and 100 Mbps communication speeds. The IP address of the board is configurable by Static, BOOTP and DHCP methods.

Control/Communication Option Descriptions

For availability, see Product Selection for base drive voltage required.

2

Available Control/Communications Options

Option	Description	Option Type
K1	Door-Mounted Speed Potentiometer —Provides the enclosed 18-pulse drive with the ability to adjust the frequency reference using a door-mounted potentiometer. This option uses the 10 Vdc reference to generate a 0–10 V signal at the analog voltage input signal terminal. When the HOA bypass option is added, the speed is controlled when the HOA switch is in the HAND position. Without the HOA bypass option, a two-position switch (labeled local/remote) is provided on the keypad to select speed reference from the speed potentiometer or a remote speed signal.	Control
K2	Door-Mounted Speed Potentiometer with HOA Selector Switch —Provides the enclosed 18-pulse drive with the ability to start/stop and adjust the speed reference from door-mounted control devices or remotely from customer-supplied inputs. In HAND position, the drive will start and the speed is controlled by the door-mounted speed potentiometer. The drive will be disabled in the OFF position. When AUTO is selected, the drive run and speed control commands are via user-supplied dry contact and 4–20 mA signal.	Control
K4	HAND/OFF/AUTO Switch for Non-Bypass Configurations —Provides a three-position selector switch that allows the user to select either a HAND or AUTO mode of operation. HAND mode is defaulted to keypad operation, and AUTO mode is defaulted to control from an external terminal source. These modes of operation can be configured via drive programming to allow for alternate combinations of start and speed sources. Start and speed sources include Keypad, I/O and fieldbus.	Control
K5	MANUAL/AUTO Speed Reference Switch —Provides door-mounted selector switch for MANUAL/AUTO speed reference.	Control
K6	START/STOP Pushbuttons —Provide door-mounted START and STOP pushbuttons for either bypass or non-bypass configurations.	Control
KF	Bypass Test Switch for RA —Allows the user to energize the AF drive for testing while operating the motor on the bypass controller. The Test Switch is mounted on the inside of the enclosure door.	Addl. bypass
K0	Standard Elapsed Time Meter —Provides a door-mounted elapsed run-time meter.	Control
L1	Power On and Fault Power Lights —Provide a white Power On light that indicates power to the enclosed cabinet and a red fault light that indicates a drive fault has occurred.	Light
L2	Bypass Pilot Lights for RA Bypass Options —A green light indicates when the motor is running in Inverter mode and an amber light indicates when the motor is running in Bypass mode. The lights are mounted on the enclosure door, above the switches.	Addl. bypass
LE	Red Run Pilot Light 0.87-Inch (22 mm) —Provides a red Run pilot light that indicates the drive is running.	Light
P1	Input Circuit Breaker —High interrupting circuit breaker that provides a means of short-circuit protection for the power cables between it and the enclosed 18-pulse drive, and protection from high-level ground faults on the power cable. Allows a convenient means of disconnecting the enclosed 18-pulse drive from the line, and the operating mechanism can be padlocked in the OFF position. This is factory mounted in the enclosure. Standard rating is 65 kAIC at 208/480 V. 100 kAIC is available as an option.	Input
PE	Output Contactor —Provides a means for positive disconnection of the drive output from the motor terminals. The contactor coil is controlled by the drive's run or permissive logic. NC and NO auxiliary contacts rated at 10 A, 600 Vac are provided for customer use. Bypass options RB and RA include an output contactor as standard. This option includes a low VA 115 Vac fused control power transformer and is factory mounted in the enclosure.	Output
PF	Output Filter —Used to reduce the transient voltage (dV/dt) at the motor terminals. The output filter is recommended for cable lengths exceeding 100 ft (30.5 m) with a drive of 3 hp and above, for cable lengths of 33 ft (10.1 m) with a drive of 2 hp and below, or for a drive rated at 525–690 V. This option is mounted in the enclosure.	Output
PG	MotoRx (300–600 Ft) 1000 V/μs dV/dt Filter —Used to reduce transient voltage (dV/dt) and peak voltages at the motor terminals. This option is comprised of a 0.5% line reactor, followed by capacitive filtering and an energy recovery/clamping circuit. Unlike the output filter (see option PF), the MotoRx recovers most of the energy from the voltage peaks, resulting in a lower voltage drop to the motor, and therefore conserving power. This option is used when the distance between a single motor and the drive is 300–600 ft (91.4–182.9 m).	Output
PH	Single Overload Relay —Uses a bimetallic overload relay to provide additional overload current protection to the motor on configurations without bypass options. It is included with the bypass configurations for overload current protection in the bypass mode. The overload relay is mounted within the enclosure, and is manually resettable. Heater pack included.	Output
PI	Dual Overload Relays —This option is recommended when a single drive is operating two motors and overload current protection is needed for each of the motors. The standard configuration includes two bimetallic overload relays, each sized to protect a motor with 50% of the drive hp rating. For example, a 100 hp drive would include two overload relays sized to protect two 50 hp motors. The relays are mounted within the enclosure, and are manually resettable. Heater packs not included.	Output
PN	Dual Overloads for Bypass —This option is recommended when a single drive is operating two motors in the Bypass mode and overload current protection is needed for each of the motors. The standard configuration includes two bimetallic overload relays, each sized to protect a motor with 50% of the drive hp rating. For example, a 100 hp drive would include two overload relays sized to protect two 50 hp motors. The relays are mounted within the enclosure, and are manually resettable.	Addl. bypass
RA	Manual HOA Bypass Controller —The manual HAND/OFF/AUTO (HOA)—three-contactor—bypass option provides a means of bypassing the enclosed 18-pulse drive, allowing the AC motor to be operated at full speed directly from the AC supply line. This option consists of an input HMCP, a fused control power transformer, and a full voltage bypass starter with a door-mounted HOA selector switch and an INVERTER/BYPASS switch. The HOA switch provides the ability to start and stop the drive in the inverter mode. IEC type input, bypass and input contactors are provided. The contactors are mechanically and electrically interlocked (see wiring diagram on Page V6-T2-373).	Bypass
RC	Auto Transfer HOA Bypass Controller —The manual HAND/OFF/AUTO (HOA)—three-contactor—bypass option provides a means of bypassing the enclosed 18-pulse drive, allowing the AC motor to be operated at full speed directly from the AC supply line. The circuitry provides an automatic transfer of the load to “across the line” operation after a drive trip. This option consists of an input HMCP, a fused control power transformer, and a full voltage bypass starter with a door-mounted HOA selector switch and an INVERTER/BYPASS switch. The HOA switch provides the ability to start and stop the drive in either mode. IEC type input, bypass and input contactors are provided. The contactors are mechanically and electrically interlocked (see wiring diagram on Page V6-T2-373). Door-mounted pilot lights are provided that indicate bypass or inverter operation. A green light indicates when the motor is running in inverter mode and an amber light indicates when the motor is running in bypass mode. WARNING: The motor may restart when the overcurrent relay is reset when operating in bypass, unless the IOB selector switch is turned to the OFF position.	Bypass
RG	Reduced Voltage Starter for Bypass —Used in conjunction with bypass option RA or RC. This option adds reduced voltage soft starter to bypass assembly for soft starting in bypass mode.	Bypass

For availability, see Product Selection for base drive voltage required.

Available Control/Communications Options, continued

Option	Description	Option Type
S7	10.00-Inch (254.0 mm) Expansion —Expansion cabinet allows for special components, customer-supplied components or oversized cables. NOTE: Enclosure expansion rated Type 1 only.	Enclosure
S8	20.00-Inch (508.0 mm) Expansion —Expansion cabinet allows for special components, customer-supplied components or oversized cables. NOTE: Enclosure expansion rated Type 1 only.	Enclosure
S9	Space Heater —Prevents condensation from forming in the enclosure when the drive is inactive or in storage. Includes a thermostat for variable temperature control. The heater requires a customer-supplied 115 V remote supply source.	Enclosure

Dissipated Watt Losses

Horsepower	40	50	60	75	100	125	150	200	250	300	350	400	450	500	600	700	800
Watts	1844	2170	2540	3040	4011	4940	5730	8020	9383	11600	13600	15700	16250	17976	20393	27200	31400

Conformal (Varnished) Coating ^①

Chassis Frame	Delivery Code	Chassis Frame	Delivery Code
FR6	FP	FR9	FP
FR7	FP	FR10	FP
FR8	FP	FR11	FP
—	—	FR12	FP

480 V Input Disconnect Selection ^②

Horsepower	P1 Input Breaker	Bypass Motor Circuit Protector (RA, RB, RC, RD)
25	HFD3050	HMCP050K2C
30	HFD3060	HMCP100R3C
40	HFD3080	HMCP100R3C
50	HFD3100	HMCP100R3C
60	HFD3100	HMCP150T4C
75	HFD3125	HMCP150T4C
100	HFD3150	HMCP150U4C
125	HFD3200	HMCP250W5C
150	HFD3225	HMCP250W5C
200	HKD3300	HMCP400X5C
250	HKD3400	HMCP400X5C
300–400	HLD3600	HMCP600L6W
500–600	NGH308033E	HMCP800X7W
650–800	NGH312033E	^③

Enclosed Drive Options

Light Options

Description	Catalog Number Suffix
Power on, run, fault LED lights (22 mm)	L1
Power on, fault LED lights (22 mm)	L3
Green LED run light (22 mm)	LA
Green LED stop light (22 mm)	LD
Red LED run light (22 mm)	LE
Red LED stop light (22 mm)	LF
Red LED fault light (22 mm)	LG
Power on white LED light (22 mm)	LJ
Miscellaneous LED light (22 mm)	LU

Control Options

Description	Catalog Number Suffix
Door-mounted speed potentiometer	K1
Door-mounted speed potentiometer with HOA selector switch	K2
HOA selector switch	K4
MANUAL/AUTO reference switch	K5
START-STOP pushbuttons	K6
Type D2 control relay	SD
On-delay relay	SE
Off-delay relay	SF
Additional terminal blocks per 4 points	SD

Notes

- ^① See catalog number description to order.
- ^② Contact factory for 208 V and 575 V applications.
- ^③ Contact factory.

2.11

Adjustable Frequency Drives

Clean Power Drives

2

Bypass Control Options

Description	Catalog Number Suffix
Bypass test switch used with RA	KF
Inverter/bypass pilot lights	L2

Meter Options

Description	Catalog Number Suffix
Standard elapsed time meter	K0
Frequency meter	KS
MP-3000 relay with URTD	KV
MP-3000 relay with URTD and CTs	KU

Enclosure Options

Enclosure Size	Catalog Number Suffix
10.00 Inch (254.0 mm) Expansion	
7	S7
8	S7
9	S7
10	S7
11	S7
20.00 Inch (508.0 mm) Expansion	
7	S8
8	S8
9	S8
10	S8
11	S8
Space Heater ^①	
7	S9
8	S9
9	S9
10	S9
11	S9
Plastic Nameplate	
7	SN
8	SN
9	SN
10	SN
11	SN

208 and 230 V Power Options, 25–200 hp

Description	Catalog Number Suffix
Input breaker	P1
Output contactor	PE
Single overload relay	PH
Dual overload relays	PI
MOV	P7
50 kA surge protective device	P8
100 kA surge protective device	PA

480 and 575 V Power Options, 25–800 hp

Description	Catalog Number Suffix
Input breaker	P1
Output contactor	PE
Output filter	PF
MotoRx (300–600 Ft) dV/dt filter	PG
Single overload relay	PH
Dual overload relays	PI
Input MOV	P7
50 kA surge protective device	P8
100 kA surge protective device	PA

208 and 230 V Bypass Options, 25–200 hp

Description	Catalog Number Suffix
Manual HOA bypass controller	RA
Auto transfer HOA bypass controller	RC
Reduced voltage starter for bypass	RG
Dual overloads for bypass	PN

480 and 575 V Bypass Options, 25–800 hp

Description	Catalog Number Suffix
Manual HOA bypass controller	RA
Auto transfer HOA bypass controller	RC
Reduced voltage starter for bypass	RG
Dual overloads for bypass	PN

Note

^① Requires customer-supplied 115 Vac supply.

Technical Data and Specifications

Enclosed 18-Pulse Drives

Description	Specification
Primary Design Features	
45–66 Hz input frequency	Standard
Output: AC volts maximum	Input voltage base
Output frequency range	0–320 Hz
Initial output current (I_H)	250% for 2 seconds
Overload (1 minute [I_H/I_L])	150%/110%
Enclosure space heater	Optional
Oversize enclosure	Standard
Output contactor	Optional
Bypass motor starter	Optional
Listings	UL, cUL, 508C
Protection Features	
Incoming line fuses	Standard 200 kAIC rating
AC input circuit disconnect	Optional
Phase rotation insensitive	Standard
EMI filter	Standard FR6 thru FR9 ^①
Input phase loss protection	Standard
Input overvoltage protection	Standard
Line surge protection	Standard
Output short-circuit protection	Standard
Output ground fault protection	Standard
Output phase protection	Standard
Overtemperature protection	Standard
DC overvoltage protection	Standard
Drive overload protection	Standard
Motor overload protection	Standard
Programmer software	Optional
Local/remote keypad	Standard
Keypad lockout	Standard
Fault alarm output	Standard
Built-in diagnostics	Standard
Surge protective device	Optional

Description	Specification
Input/Output Interface Features	
Setup adjustment provisions	
Remote keypad/display	Standard
Personal computer	Standard
Operator control provisions	
Drive mounted keypad/display	Standard
Remote keypad/display	Standard
Conventional control elements	Standard
Serial communications	Optional
115 Vac control circuit	Optional
Speed setting inputs	
Keypad	Standard
0–10 Vdc potentiometer/voltage signal	Standard
4–20 mA isolated	Configurable
4–20 mA differential	Configurable
3–15 psig	Optional
Analog outputs	
Speed/frequency	Standard
Torque/load/current	Programmable
Motor voltage	Programmable
Kilowatts	Programmable
0–10 Vdc signals	Configurable w/jumpers
4–20 mA DC signals	Standard
Isolated signals	Standard
Discrete outputs	
Fault alarm	Standard
Drive running	Standard
Drive at set speed	Programmable
Optional parameters	14
Dry contacts	2 Form C contacts available
Additional discrete outputs	Optional
Communications	
RS-232	Standard
RS-422/485	Optional
DeviceNet™	Optional
Modbus RTU	Optional
CANopen (slave)	Optional
PROFIBUS-DP	Optional
LonWorks	Optional
Johnson Controls Metasys N2	Optional
EtherNet/IP/Modbus TCP	Optional
BACnet	Optional

Note

^① The EMI filter is optional in FR10 and larger.

Enclosed 18-Pulse Drives

Description	Specification
Performance Features	
Sensorless vector control	Standard
Volts/hertz control	Standard
IR and slip compensation	Standard
Electronic reversing	Standard
Dynamic braking	Optional
DC braking	Standard
PID set point controller	Programmable
Critical speed lockout	Standard
Current (torque) limit	Standard
Adjustable acceleration/deceleration	Standard
Linear or S curve accel/decel	Standard
Jog at preset speed	Standard
Thread/preset speeds	7
Automatic restart	Selectable
Coasting motor start	Standard
Coast or ramp stop selection	Standard
Elapsed time meter	Optional
Carrier frequency adjustment	1–16 kHz
Standard Conditions for Application and Service	
Maximum operating ambient temperature	0–50 °C up to FR9 0–40 °C FR10 and larger, consult factory for 50 °C rating above FR9
Storage temperature	–40 to 60 °C
Humidity (maximum), noncondensing	95%
Altitude (maximum without derate)	3300 ft (1000 m)
Line voltage variation	+10/–15%
Line frequency variation	45–66 Hz
Efficiency	>95%
Power factor (displacement)	0.99+
Power factor (apparent)	0.99

Standard I/O Specifications

Description	Specification
Six–digital input programmable	24 V: “0” ≤10 V, “1” ≥18V, R _i >5 kohms
Two–analog input configurable w/jumpers	Voltage: 0–±10 V, R _i >200 kohms Current: 0 (4)–20 mA, R _i = 250 ohms
Two–digital output programmable	Form C relays 250 Vac 30 Vdc 2 amp resistive
One–analog output programmable configurable w/jumper	0–20 mA, R _L max. 500 ohms 10 bits ±2%

I/O Specifications for Control/Communication Options

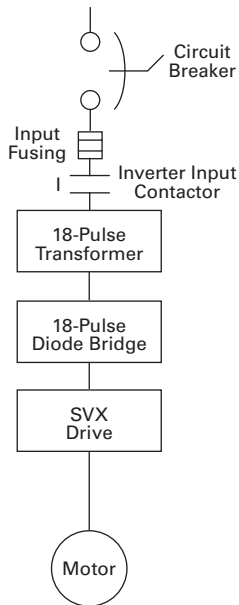
Description	Specification
Analog voltage, input	0–±10 V, R _i ≥200 kilohms
Analog current, input	0 (4)–20 mA, R _i = 250 ohms
Digital input	24 V: “0” ≤10 V, “1” ≥18V, R _i >5 kilohms
Auxiliary voltage	24 V (±20%), max. 50 mA
Reference voltage	10 V ±3%, max. 10 mA
Analog current, output	0 (4)–20 mA, R _L = 500 kilohms, resolution 10 bit, accuracy ≤±2%
Analog voltage, output	0 (2)–10 V, R _L ≥1 kilohm, resolution 10 bit, accuracy ≤±2%
Relay output max. switching voltage	300 Vdc, 250 Vac
Relay output max. switching load	3 A/24 Vdc, 300 Vdc, 250 Vac ①
Relay output max. continuous load	2 A rms
Thermistor input	R _{trip} = 4.7 kohms

Note

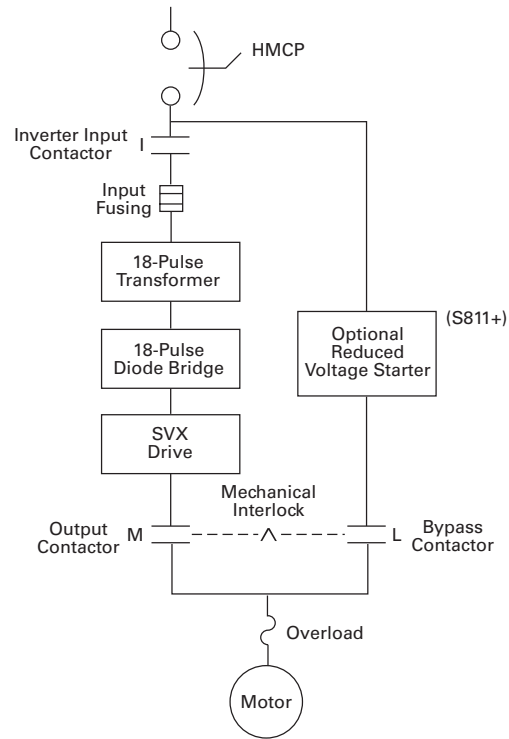
① For applications above 3 A consult instruction manual.

Wiring Diagrams

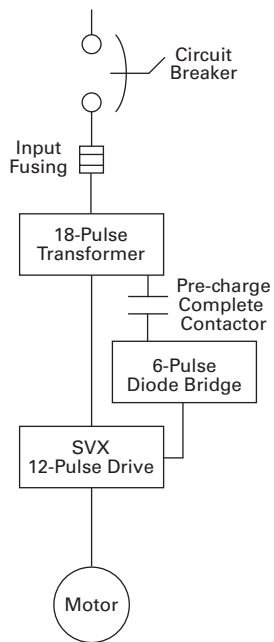
Power Diagram Up to FR9



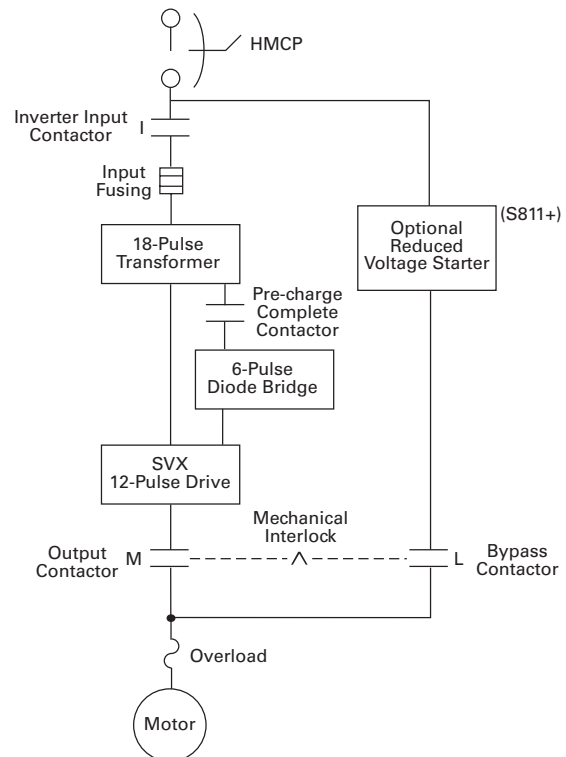
Power Diagram Up to FR9 with Bypass



Power Diagram FR10 and Larger



Power Diagram FR10 and Larger with Bypass



2.11

Adjustable Frequency Drives

Clean Power Drives

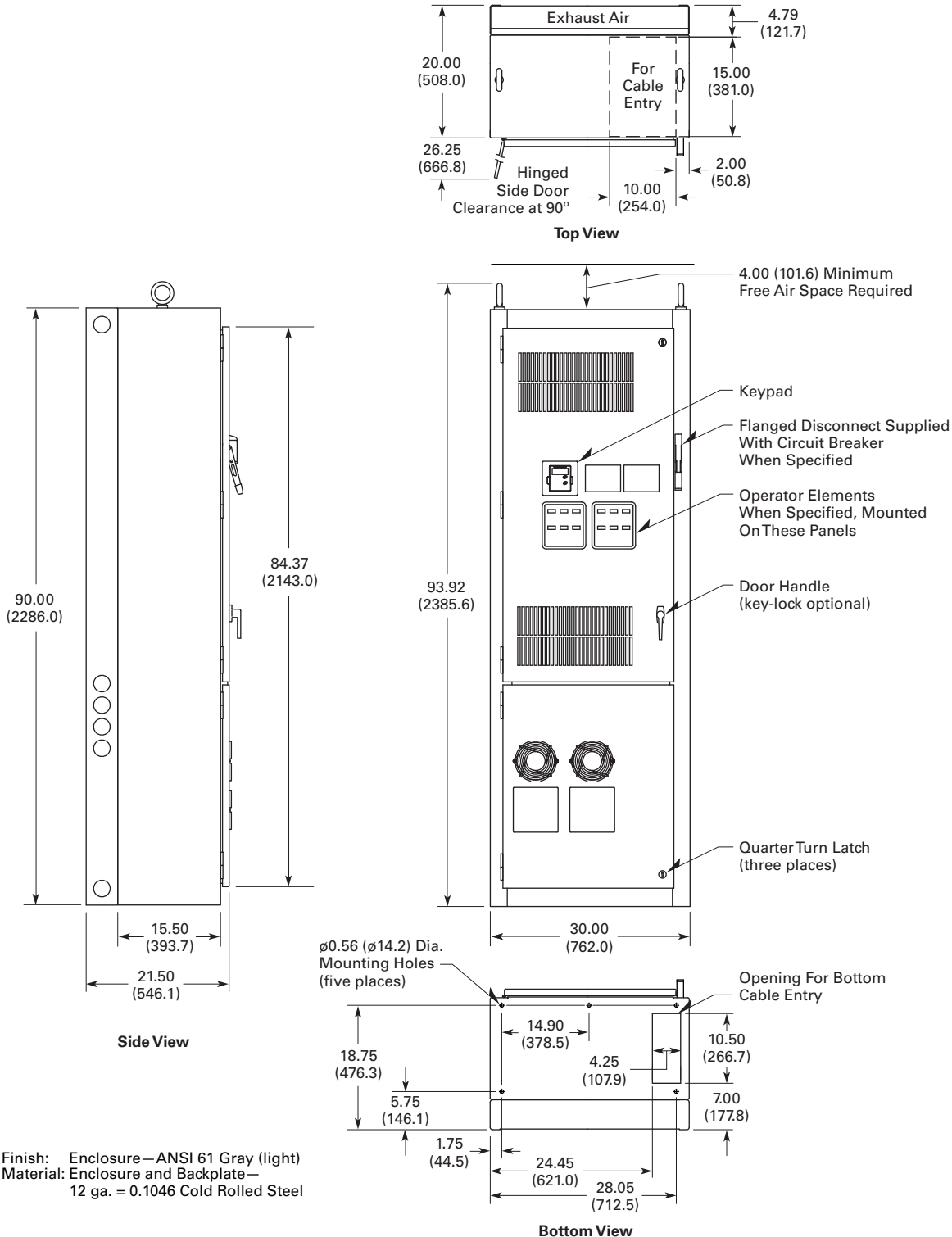
Dimensions

Approximate Dimensions in Inches (mm)

2

Enclosure Size 7

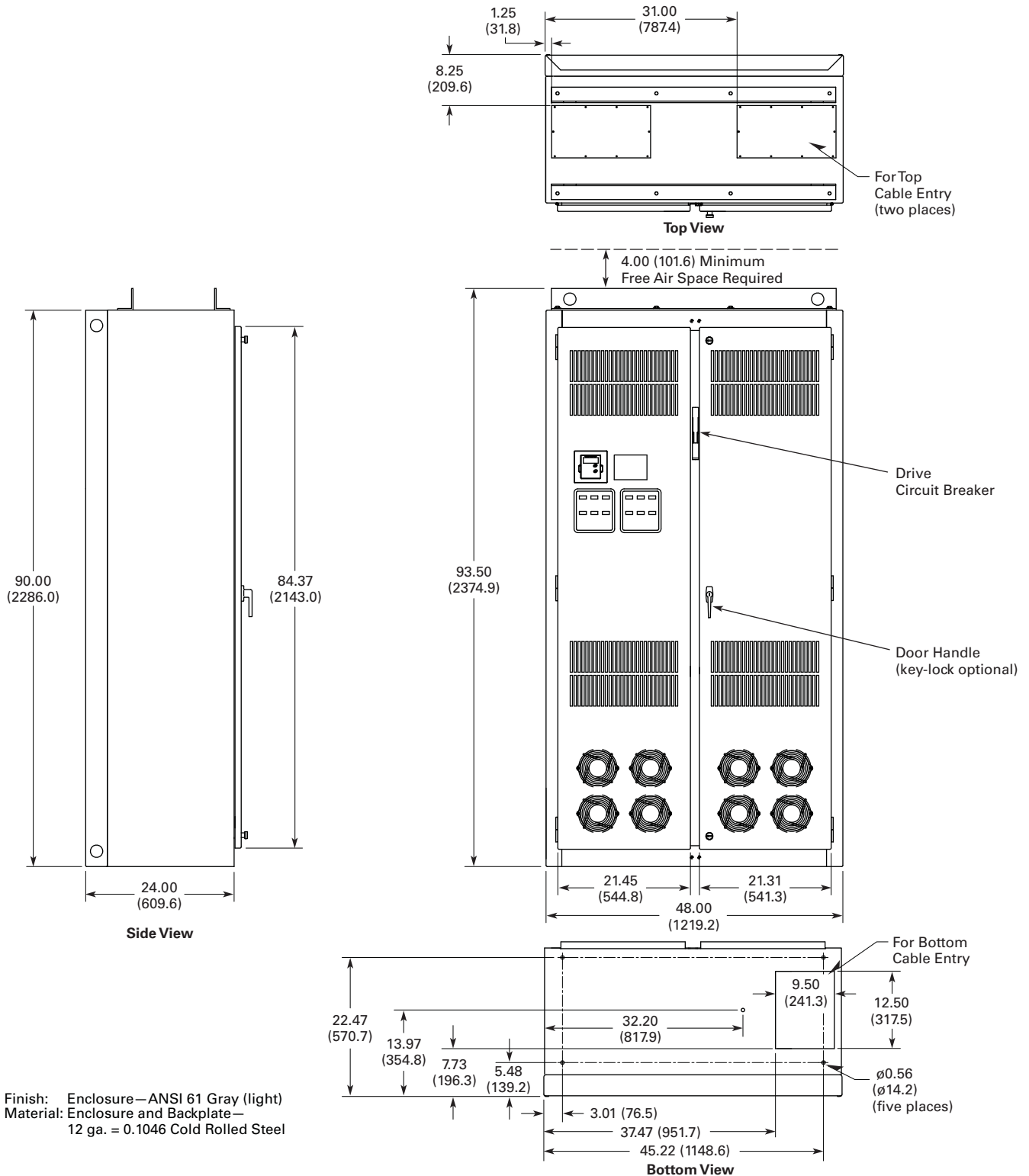
25–150 hp I_L and 25–125 hp I_H 480 V – 25–100 hp I_L and 25–75 hp I_H 575 V



Approximate Dimensions in Inches (mm)

Enclosure Size 8

200–250 hp I_L and 150–200 hp I_H 480 V—125–200 hp I_L and 100–150 hp I_H 575 V



2.11

Adjustable Frequency Drives

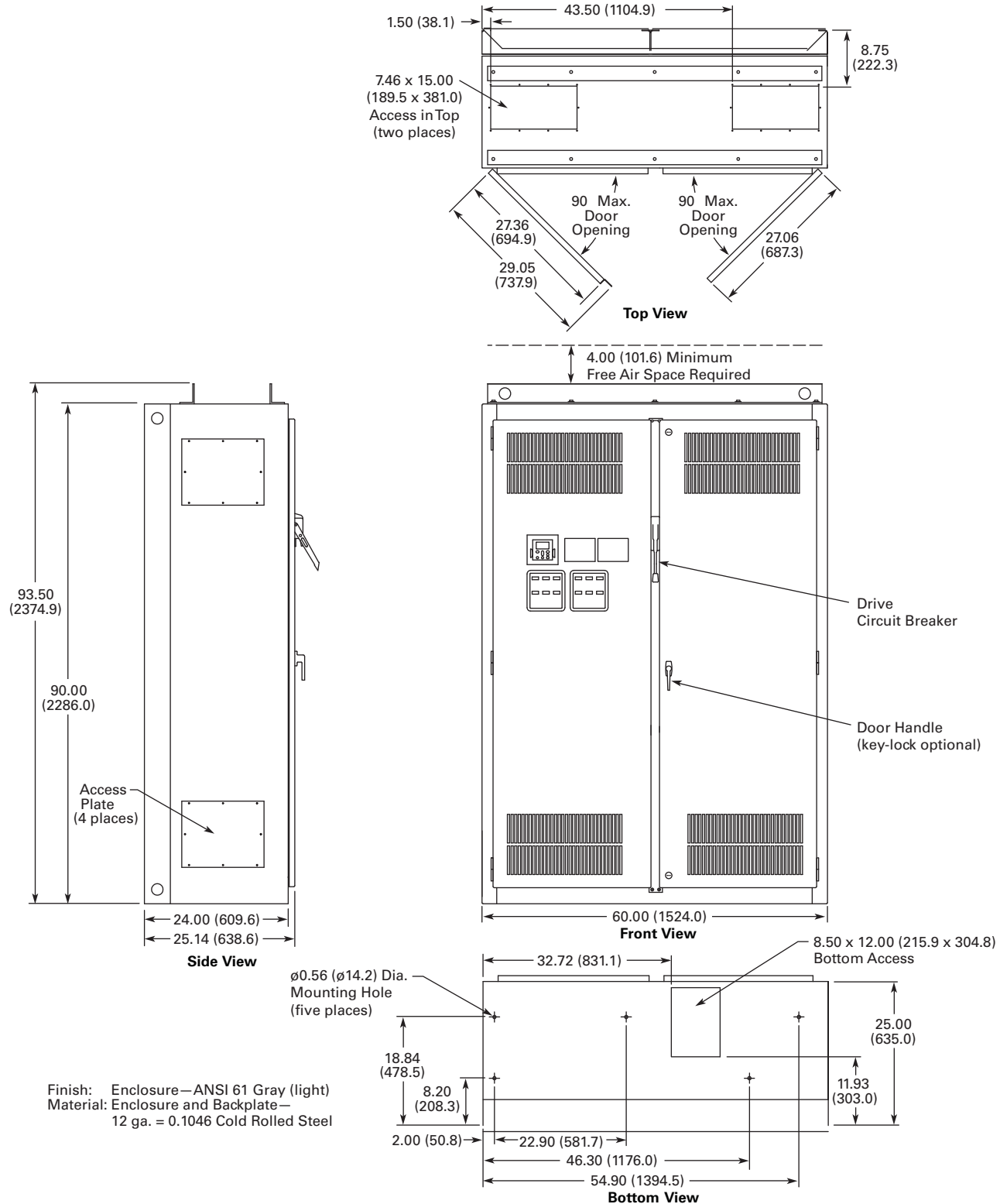
Clean Power Drives

Approximate Dimensions in Inches (mm)

Enclosure Size 9

2

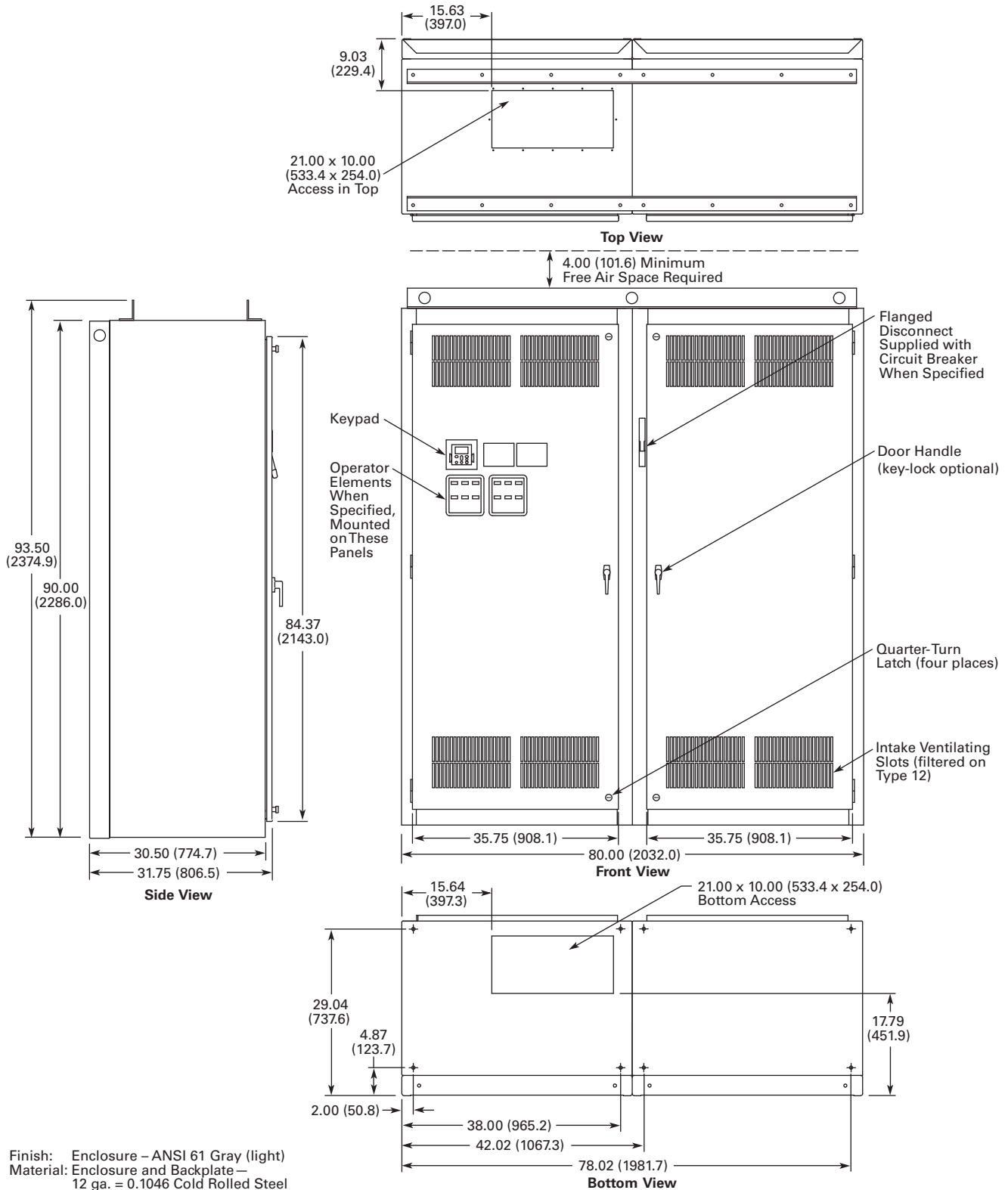
300–400 hp I_L and 250–350 hp I_H 480 V—250–400 hp I_L and 200–300 hp I_H 575 V



Approximate Dimensions in Inches (mm)

Enclosure Size 10

500–600 hp I_L and 400–500 hp I_H 480 V—500–600 hp I_L and 400–500 hp I_H 575 V



Finish: Enclosure – ANSI 61 Gray (light)
 Material: Enclosure and Backplate –
 12 ga. = 0.1046 Cold Rolled Steel

2.11

Adjustable Frequency Drives

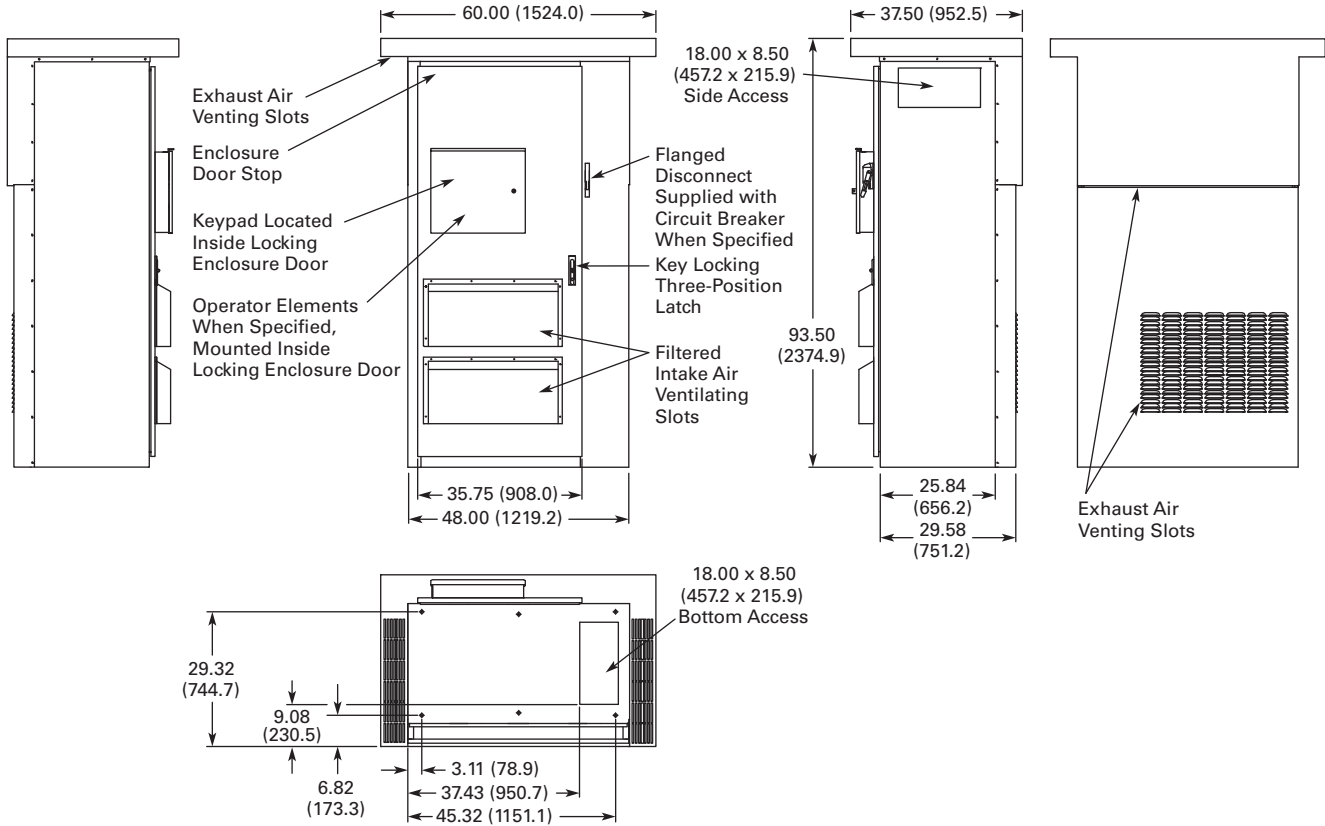
Clean Power Drives

Approximate Dimensions in Inches (mm)

Enclosure Size F Type 3R Drives

2

25–250 hp I_L and 25–200 hp I_H 480 V – 25–200 hp I_L and 25–150 hp I_H 575 V Type 3R Drives



Enclosed 18-Pulse Drive Enclosure Dimensions

Enclosure Size ^①	Width	Height	Depth	Approx. Shipping Weight in Lbs (kg)
7	30.00 (762.0)	90.00 (2286.0)	21.50 (546.1)	1000 (454)
8	48.00 (1219.2)	90.00 (2286.0)	26.14 (664.0)	1400 (636)
9	60.00 (1524.0)	90.00 (2286.0)	25.74 (653.8)	1800 (817)
10	80.00 (2032.0)	90.00 (2286.0)	31.75 (806.5)	2100 (953)
11 ^{②③}	120.00 (3048.0)	90.00 (2286.0)	25.74 (653.8)	2500 (1,135)
F ^④	60.00 (1524.0)	93.50 (2374.9)	37.50 (952.5)	2500 (1,135)

Notes

- ① Enclosure sizes accommodate drive and options, including bypass and disconnect. For other power options, consult your Eaton representative.
- ② Consult factory. Limited power options available.
- ③ Enclosure size 11 consists of two of the enclosure size 9.
- ④ All Type 3R drives use the Size F enclosure.

Enclosed Regenerative Drives**Contents**

Description	Page
Enclosed Passive Filtered Drives	V6-T2-304
CPX Enclosed 18-Pulse Drives	V6-T2-355
RGX Enclosed Regenerative Drives	
Catalog Number Selection	V6-T2-381
Product Selection	V6-T2-382
Options	V6-T2-384
Technical Data and Specifications	V6-T2-385
Dimensions	V6-T2-386

RGX Enclosed Regenerative Drives**Product Description**

The RGX is an enclosed solution to meet the needs of customer's regenerative load applications. It combines Eaton's comprehensive family of DC common DC bus drive products together with the necessary circuit protection and filtering to give the customer an all-in-one package. The RGX is available in 480 V and 575 V configurations in sizes up through 900 hp.

Base Assembly Components**LCL Filter**

An LCL filter is applied on the line side of the of the front end unit and integrated into the enclosed solution. This unit corrects the voltage wave form to return clean power back to the power system.

Front-End Unit

The RGX uses the SPA drive module, which is an active bi-directional converter. This converter allows power to flow from the main voltage to the DC bus and back from the DC bus to the main voltage.

Inverter Unit

The RGX uses an SPI drive module, which is a DC-fed power inverter for the supply and control of AC motors. This inverter is specifically designed to also allow power to flow back to the DC bus in a regenerative load application.

Harmonic Distortion

Harmonics are distorted electrical waveforms that produce inefficiencies, which could negatively affect your system. These inefficiencies can cause increased electrical usage, power quality problems, increased machine wear and utility penalties. The RGX takes control of high harmonics and reduces distortion to below the IEEE 519 recommendations. This minimal harmonic output allows the RGX drive to increase user energy efficiency, extend system life and reduce maintenance costs.

Regeneration

The active front end module gives the system power regeneration capabilities. Through the use of IGBT bridge components, power

flows bi-directionally through the drive unit and can be converted back to an AC voltage. Additionally, the LCL filter corrects distorted voltage wave form on the output, thus producing clean power with low harmonics suitable to be returned to utility line. With power regeneration, the system does not need large resistor banks for ridding excess energy. Eliminating resistors increases energy savings while simplifying design.

Energy Savings

The RGX provides exceptional energy savings through the use of regenerative braking. Regenerative braking uses the electric motor as a generator when slowing, and in turn, power is regenerated. Recovered, clean power can then be returned to the line or utility for other uses. Comparatively, regenerative braking reduces energy consumption greatly over traditional mechanical and resistive braking because power is returned to the line rather than released as heat.

Application Description

The RGX Series encompasses a wide range of application solutions, including belt conveyor, ball mill, extruder, centrifugal pump, center driver winder and a variety of test stands.

Standards and Certifications

- UL
- cUL
- EN 61800-5-1 (2003)



2.11

Adjustable Frequency Drives

Clean Power Drives

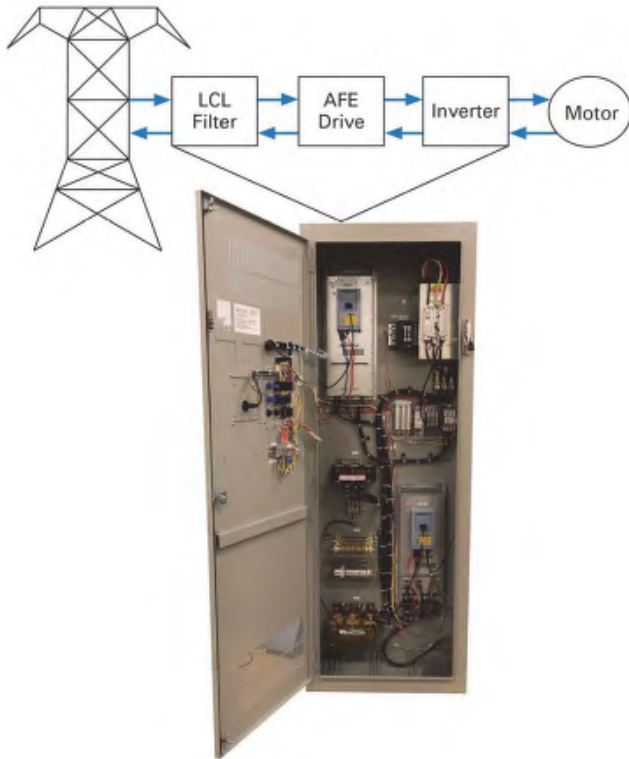
Product Identification ^①

2

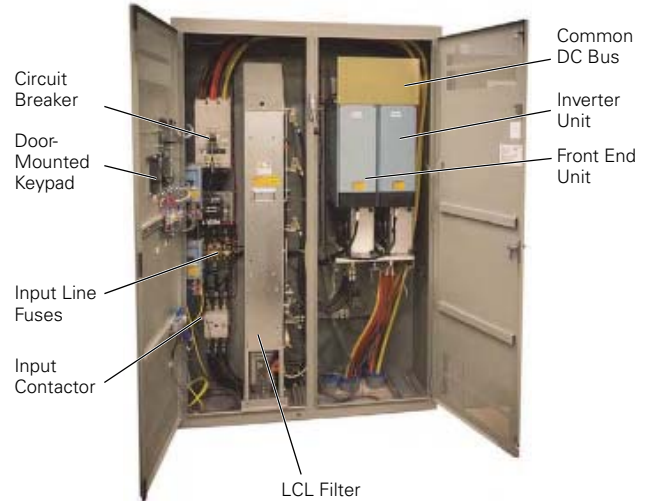
Power Flow Diagram and Components

- Power flows from the utility through the LCL filter, active-front end IGBT bridge and component inverter to the motor
- IGBT bridge components allow bi-directional current conversion and flow for power regeneration needs
- The active rectifier draws linear current off of the line, reducing peak currents on the input and reducing THDI to 2–3%
- During regeneration, the LCL filter corrects the voltage wave form to return clean power back to the utility

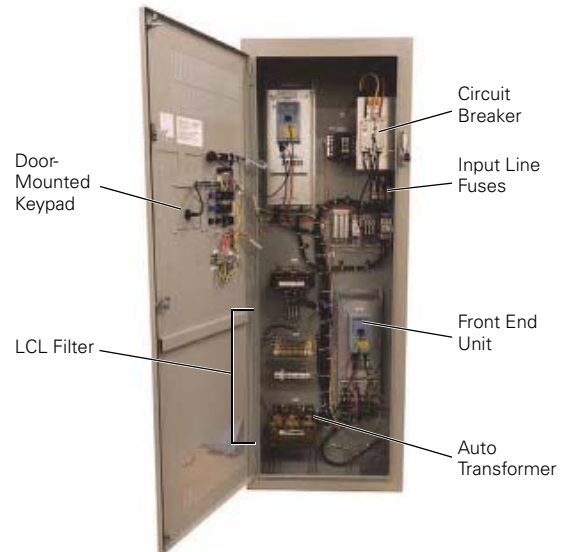
Power Flow Diagram and Components



RGX Size 9 Enclosure ^②



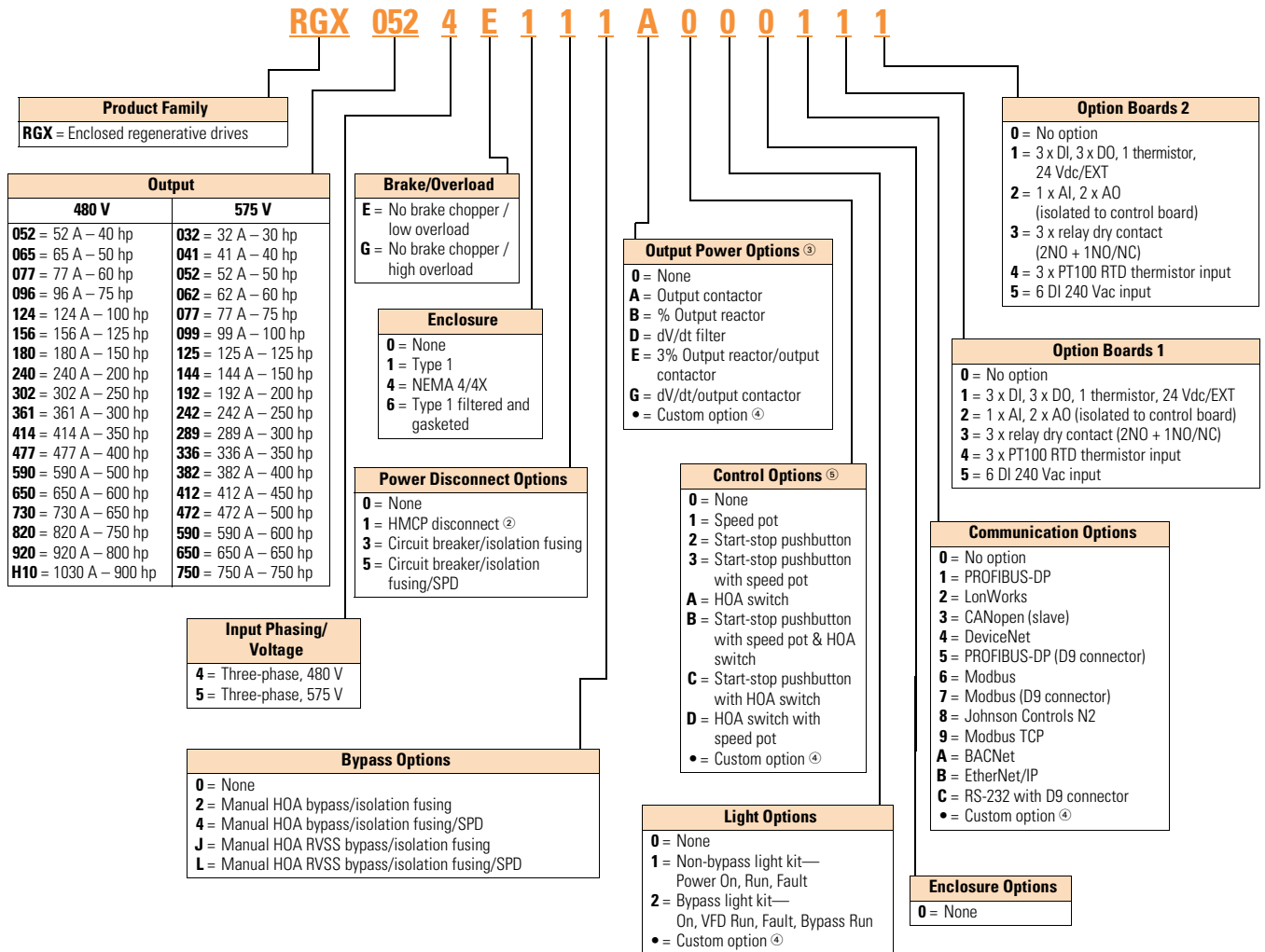
RGX Size 3 Enclosure ^③



Notes

- ^① Product identification section serves as example products and does not encompass full RGX product range.
- ^② Size 9 enclosure example is used as a solution for the RGX product range of 100–250 hp.
- ^③ Size 3 enclosure example is used as a solution for a 30 hp RGX product.

Catalog Number Selection

Enclosed Regenerative Drives ^①

Notes

- ^① Catalog number selection is for illustration purpose only and not to be used to create new catalog numbers.
^② HMCP disconnect is standard when bypass is selected.
^③ Output contactor not available with bypass. Bypass comes standard with output contactor.
^④ More options are available as Engineered to Order (ETO) through the BidManager tool.
^⑤ Pilot devices are 22 mm standard. 30 mm options are available as Engineered to Order (ETO) through the BidManager tool.

Product Selection

2

480 V Drives

RGX Drive



RGX 480 V—NEMA Type 1/IP21

Enclosure Size	hp	Current (A)	Frame Size	Catalog Number ①
Low Overload Drive and Enclosure (VT)				
7	50	65	7	RGX0654E1
	60	77	7	RGX0774E1
	75	96	7	RGX0964E1
5	100	124	8	RGX1244E1
	125	156	9	RGX1564E1
	150	180	9	RGX1804E1
	200	240	9	RGX2404E1
8	250	302	9	RGX3024E1
	300	361	10	RGX3614E1
	350	414	10	RGX4144E1
	400	477	10	RGX4774E1
Consult factory	500	590	12	RGX5904E1
	600	650	12	RGX6504E1
	650	730	12	RGX7304E1
	750	820	12	RGX8204E1
	800	920	12	RGX9204E1
	900	1030	12	RGX10304E1
High Overload Drive and Enclosure (CT)				
7	40	52	7	RGX0524G1
	50	65	7	RGX0654G1
	60	77	7	RGX0774G1
	75	96	8	RGX0964G1
5	100	124	9	RGX1244G1
	125	156	9	RGX1564G1
	150	180	9	RGX1804G1
	200	240	9	RGX2404G1
8	250	300	10	RGX3004G1
	300	361	10	RGX3614G1
	350	414	10	RGX4144G1
Consult factory	450	515	12	RGX5154G1
	500	590	12	RGX5904G1
	600	650	12	RGX6504G1
	650	730	12	RGX7304G1
	750	820	12	RGX8204G1
	800	920	12	RGX9204G1

Note

① “_” denotes that catalog numbers are incomplete, base catalog numbers.

575 V Drives

RGX Drive



RGX 575 V—NEMA Type 1/IP21

Enclosure Size	hp	Current (A)	Frame Size	Catalog Number ^①
Low Overload Drive and Enclosure (VT)				
7	40	41	7	RGX0415E1
	50	52	7	RGX0525E1
	50	62	8	RGX0625E1
	75	77	8	RGX0775E1
	100	99	8	RGX0995E1
5	125	125	9	RGX1255E1
	150	144	9	RGX1445E1
	150	192	9	RGX1925E1
	200	242	9	RGX2425E1
	250	289	10	RGX2895E1
8	300	336	10	RGX3365E1
	400	382	10	RGX3825E1
Consult factory	450	412	12	RGX4125E1
	500	472	12	RGX4725E1
	600	590	12	RGX5905E1
	650	650	12	RGX6505E1
	750	750	12	RGX7505E1
High Overload Drive and Enclosure (CT)				
7	30	032	7	RGX0325G1
	40	041	7	RGX0415G1
	50	052	8	RGX0525G1
	60	062	8	RGX0625G1
	75	077	8	RGX0775G1
5	100	099	9	RGX0995G1
	125	125	9	RGX1255G1
	150	144	9	RGX1445G1
	150	170	9	RGX1705G1
8	200	192	10	RGX1925G1
	250	242	10	RGX2425G1
	300	289	10	RGX2895G1
Consult factory	400	382	12	RGX3825G1
	450	412	12	RGX4125G1
	500	472	12	RGX4725G1
	600	590	12	RGX5905G1
	650	650	12	RGX6505G1

Note

① “_” denotes that catalog numbers are incomplete, base catalog numbers.

2.11

Adjustable Frequency Drives

Clean Power Drives

Options

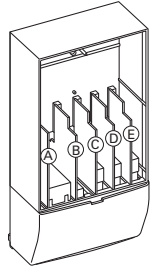
2

RGX Series Option Board Kits

The RGX Series drives can accommodate a wide selection of expander and adapter option boards to customize the drive for your application needs. The drive's control unit is designed to accept a total of five option boards.

The RGX Series factory installed standard board configuration includes an A9 I/O board and an A2 relay output board, which are installed in slots A and B.

Option Boards



Option Board Kits

Option Kit Description ^①	Allowed Slot Locations ^②	Field Installed Catalog Number
Standard I/O Cards		
2 RO (NC-NO)	B	OPTA2
6 DI, 1 DO, 2 AI, 1 AO, 1 +10 Vdc ref, 2 ext +24 Vdc/EXT +24 Vdc	A	OPTA9
Extended I/O Cards		
2 RO, therm	B	OPTA3
Encoder low volt +5 V/15 V 24 V	C	OPTA4
Encoder high volt +15 V/24 V	C	OPTA5
Double encoder	C	OPTA7
6 DI, 1 DO, 2 AI, 1 AO	A	OPTA8
3 DI (encoder 10–24 V), out +15 V/+24 V, 2 DO (pulse+direction)	C	OPTAE
6 DI, 1 ext +24 Vdc/EXT +24 Vdc	B, C, D , E	OPTB1
1 RO (NC-NO), 1 RO (NO), 1 therm	B, C, D , E	OPTB2
1 AI (mA isolated), 2 AO (mA isolated), 1 ext +24 Vdc/EXT +24 Vdc	B, C, D , E	OPTB4
3 RO (NO)	B, C, D , E	OPTB5
1 ext +24 Vdc/EXT +24 Vdc, 3 Pt100	B, C, D , E	OPTB8
1 RO (NO), 5 DI 42–240 Vac input	B, C, D , E	OPTB9
SPI, absolute encoder	C	OPTBB
Communication Cards ^③		
Modbus	D, E	OPTC2
Johnson Controls N2	D, E	OPTC2
Modbus TCP	D, E	OPTC1
BACnet	D, E	OPTCJ
EtherNet/IP	D, E	OPTCQ
PROFIBUS-DP	D, E	OPTC3
LonWorks	D, E	OPTC4
PROFIBUS-DP (D9 connector)	D, E	OPTC5
CANopen (slave)	D, E	OPTC6
DeviceNet	D, E	OPTC7
Modbus (D9 type connector)	D, E	OPTC8
Adapter	D, E	OPTD1
Adapter	D, E	OPTD2V
RS-232 with D9 connection	D, E	OPTD3

Notes

- ① AI = Analog Input; AO = Analog Output; DI = Digital Input; DO = Digital Output; RO = Relay Output
- ② Option card must be installed in one of the slots listed for that card. Slot indicated in bold is the preferred location.
- ③ OPTC2 is a multi-protocol option card.

Technical Data and Specifications

Enclosed Regenerative Drives

Description	Specification
Supply Connection	
Input voltage U_{in} (AC) front end modules	380–500 Vac/525–690 Vac –10% to +10%
Input voltage U_{in} (DC) inverter	465–800 Vdc/640–1100 Vdc –0% to 0%, the waviness of the inverter supply voltage, formed in rectification of the electric network's alternating voltage in basic frequency, must be less than 50 V peak-to-peak
Output voltage U_{out} (AC) inverter	$3 \sim 0 - U_{in}/1.4$
Output voltage U_{out} (DC) active front end module	$1.35 \times U_{in}$ (factory default)
Output voltage U_{out} (DC) non-regenerative front end module	$1.35 \times U_{in}$
Ambient Conditions	
Ambient operating temperature	14 (no frost) to +104 °F (–10 °C to +40 °C)
Storage temperature	–40 °F to +158 °F (–40 °C to +70 °C)
Relative humidity	0 to 95% RH, non-condensing, non-corrosive, no dripping water
Air quality	
Chemical vapors	IEC 721-3-3, unit in operation, class 3C2
Mechanical particles	IEC 721-3-3, unit in operation, class 3S2
Altitude	100% load capacity (no derating) up to 1000 m 1% derating for each 100 m above 1000 m; max. 3000 m
Vibration	5–150 Hz
EN50178/EN60068-2-6	Displacement amplitude 0.25 mm (peak) at 3–15.8 Hz Max. acceleration amplitude 1 G at 15.8–150 Hz
Shock EN50178, EN60068-2-27	UPS Drop Test (for applicable UPS weights) Storage and shipping: max. 15 G, 11 ms (in package)
Cooling capacity required	Approximately 2%
Cooling air required	FR4 41 cfm, FR6 250 cfm, FR7 250 cfm, FR8 383 cfm FR9 677 cfm, FR10 824 cfm, FR12 1648 cfm, FR13 2472 cfm
Unit enclosure class	FR4–FR7 NEMA Type 1/IP21; FR8, FR9–FR14 chassis (IP00)
EMC (at fault settings)	
Immunity	Fulfill all EMC immunity requirements
Safety	
Approvals	UL, cUL, EN 61800-5-1 (2003), see unit nameplate for more detailed approvals
Control Connections	
Analog input voltage	0–10 V, $R_i = 200$ kohms, (–10 V to +10 V joystick control) Resolution 0.1%, accuracy $\pm 1\%$
Analog input current	0(4)–20 mA, $R_i = 250$ ohms differential
Digital inputs	6, positive or negative logic; 18–30 Vdc
Auxiliary voltage	+24 V, $\pm 15\%$, max. 250 mA
Output reference voltage	+10 V, +3%, max. load 10 mA
Analog output	0(4)–20 mA; RL max. 500 ohms; resolution 10 bits Accuracy $\pm 2\%$
Digital outputs	Open collector output, 50 mA/48 V
Relay outputs	2 programmable change-over relay outputs Switching capacity: 24 Vdc/8 A, 250 Vac/8 A, 125 Vdc/0.4 A Min. switching load: 5 V/10 mA

2.11

Adjustable Frequency Drives

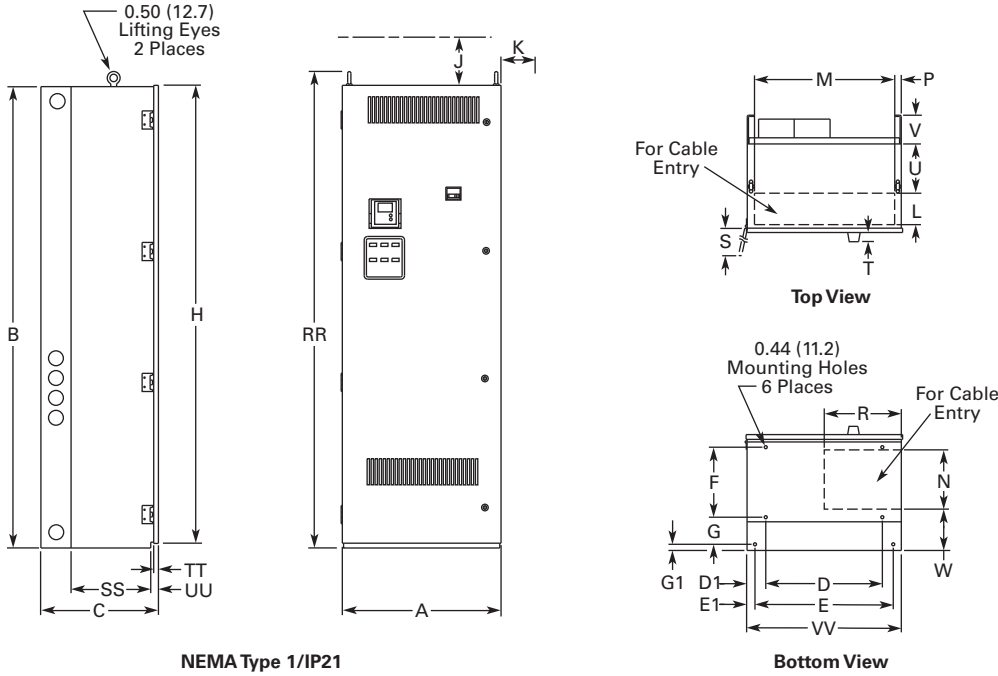
Clean Power Drives

Dimensions

Approximate Dimensions in Inches (mm)

2

Enclosure Size 3



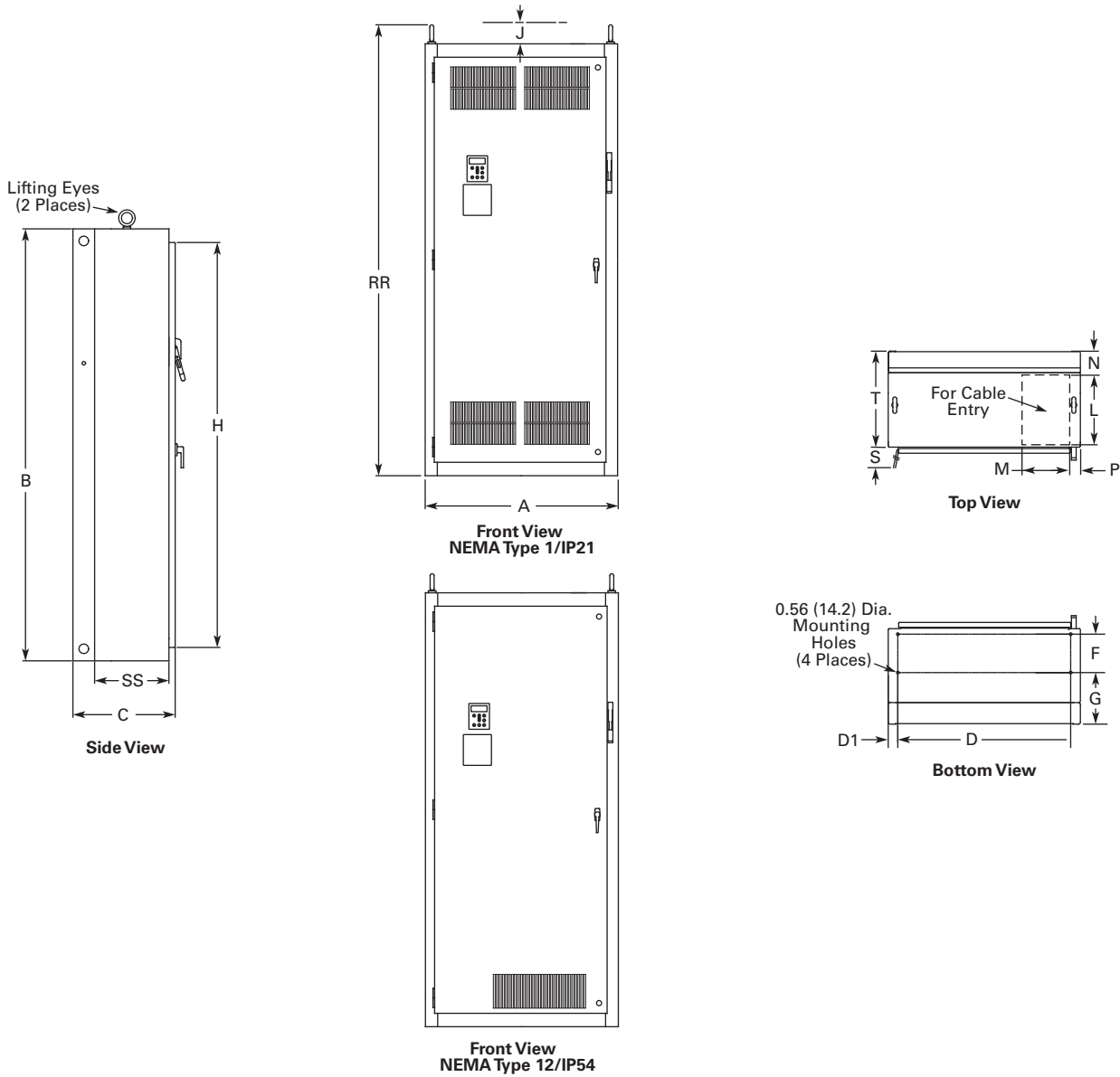
For reference only, dimensions are subject to change.

Wide		High		Deep		Mounting		Door Height			Min. Air Space	
A	B	C	D	D1	E	E1	F	G	G1	H	J	K
26.4 (671)	77.0 (1956)	19.4 (493)	19.5 (495)	3.3 (83)	23.0 (584)	1.5 (38)	11.7 (298)	5.5 (140)	0.9 (24)	76.4 (1939)	4.0 (102)	3.0 (76)

Cable Entry		Door Clearance		CB Handle		Max. Approx. Shipping Weight									
L	M	N	P	R	S	T	U	V	W	RR	SS	TT	UU	VV	Lbs (kg)
5.3 (133)	23.4 (594)	10.0 (254)	1.3 (32)	12.9 (328)	26.4 (669)	1.5 (38)	8.0 (203)	4.8 (121)	6.8 (173)	79.5 (2018)	13.40 (340)	0.8 (19)	1.3 (32)	26.0 (660)	690 (313)

Approximate Dimensions in Inches (mm)

Enclosure Size 5



For reference only, dimensions are subject to change.

Wide	High	Deep	Mounting							Door Height	Min. Air Space	
A	B	C	D	D1	E	E1	F	G	G1	H	J	K
40.0 (1016)	90.0 (2286)	21.3 (541)	36.0 (914)	2.0 (51)	—	—	8.0 (203)	10.8 (273)	—	84.4 (2143)	4.0 (102)	—

Cable Entry			Door Clearance										Max. Approx. Shipping Weight		
L	M	N	P	R	S	T	U	V	W	RR	SS	TT	UU	VV	Lbs (kg)
15.0 (381)	10.0 (254)	4.8 (122)	2.0 (51)	—	36.3 (921)	20.0 (508)	—	—	—	94.0 (2387)	15.5 (394)	—	—	—	1275 (579)

2.11

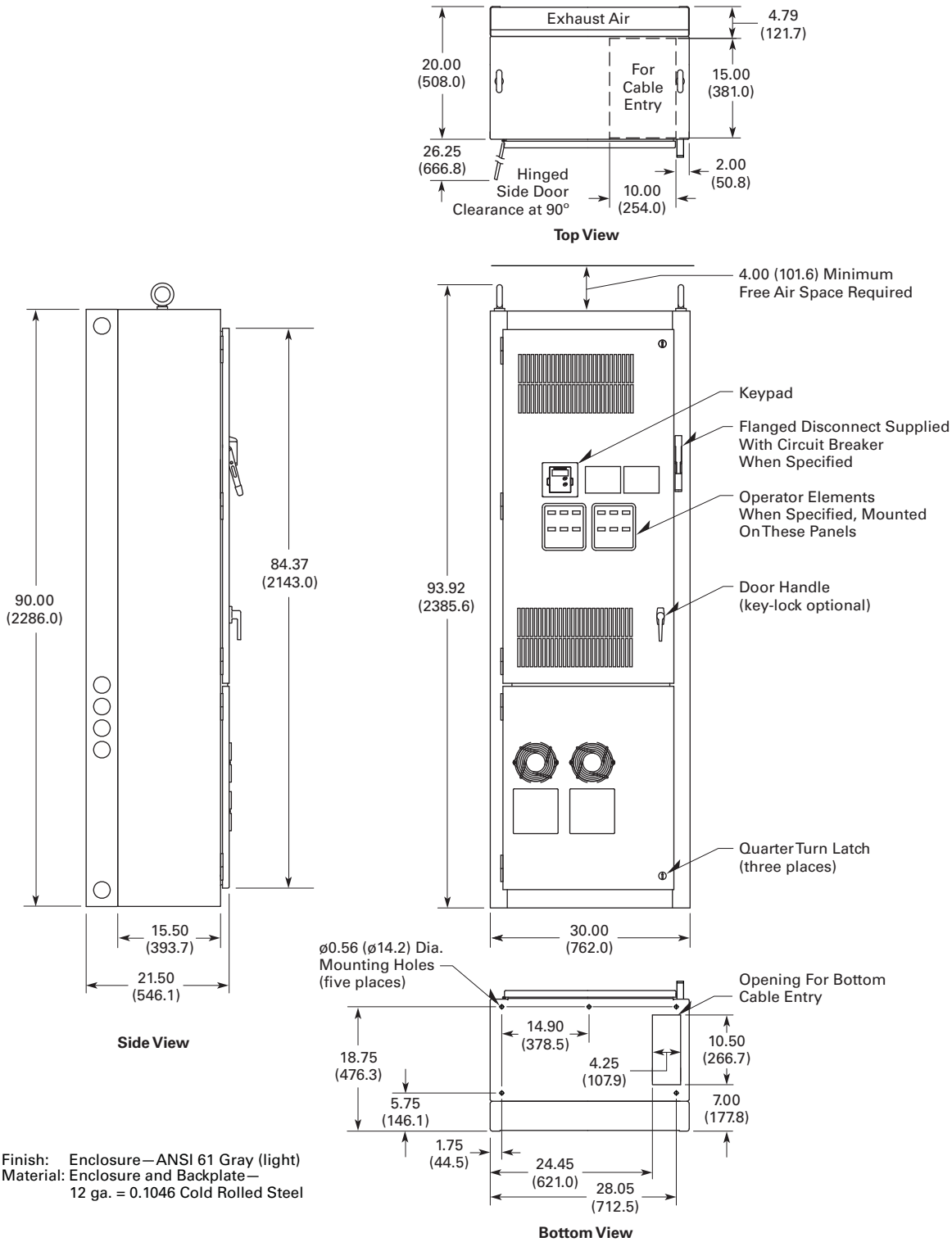
Adjustable Frequency Drives

Clean Power Drives

Approximate Dimensions in Inches (mm)

Enclosure Size 7

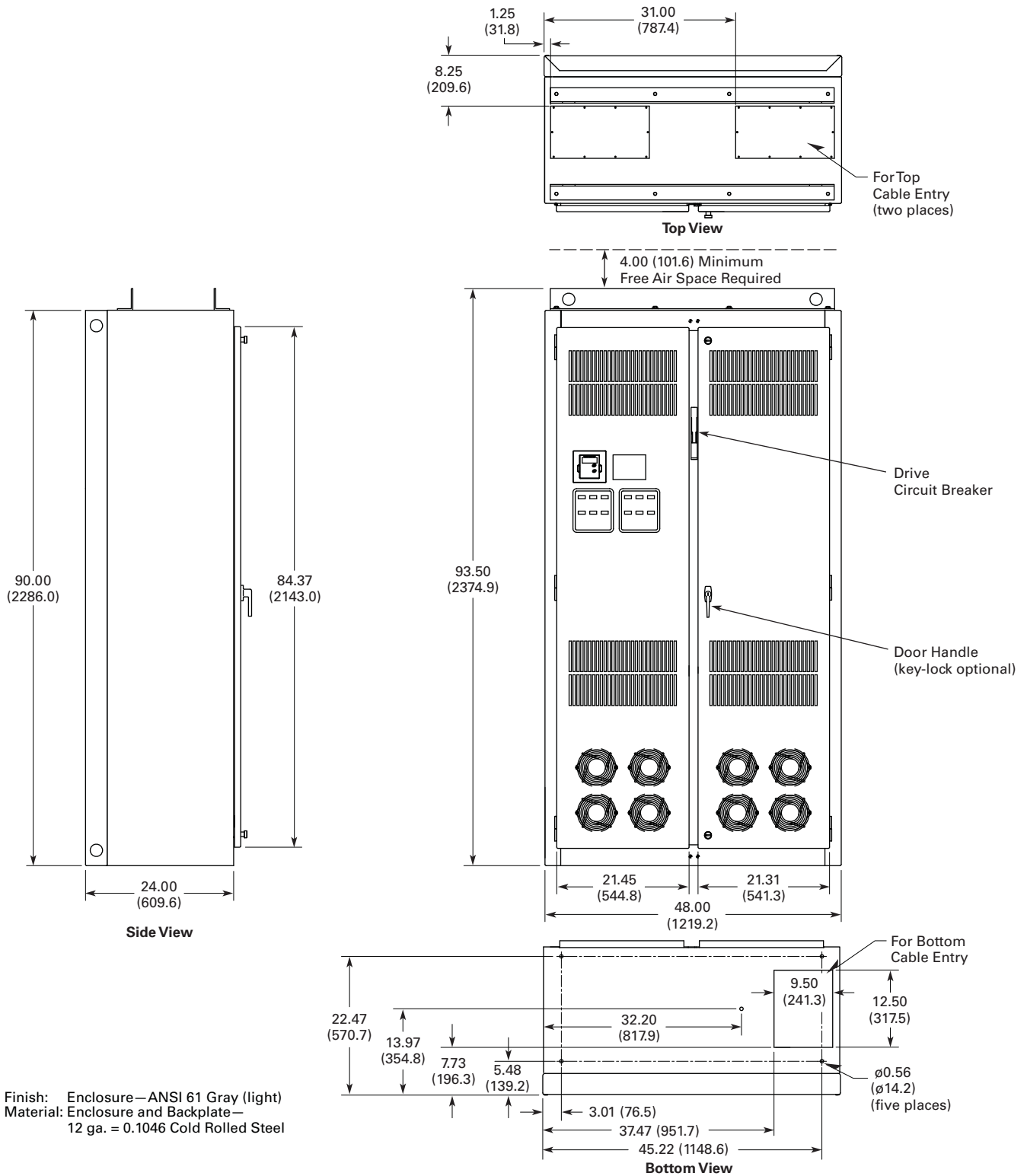
2



Finish: Enclosure—ANSI 61 Gray (light)
 Material: Enclosure and Backplate—
 12 ga. = 0.1046 Cold Rolled Steel

Approximate Dimensions in Inches (mm)

Enclosure Size 8



Finish: Enclosure—ANSI 61 Gray (light)
 Material: Enclosure and Backplate—
 12 ga. = 0.1046 Cold Rolled Steel

2.11

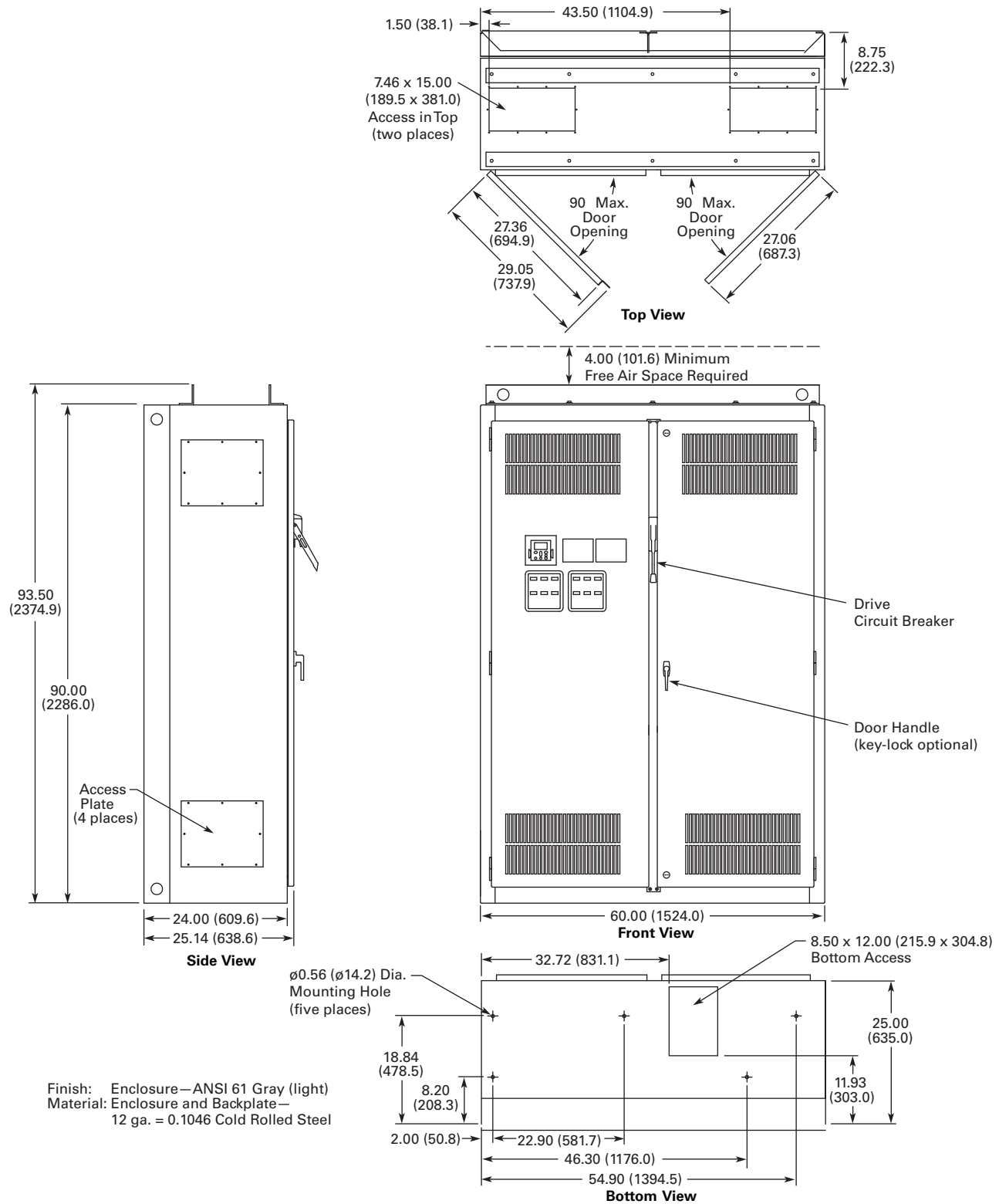
Adjustable Frequency Drives

Clean Power Drives

Approximate Dimensions in Inches (mm)

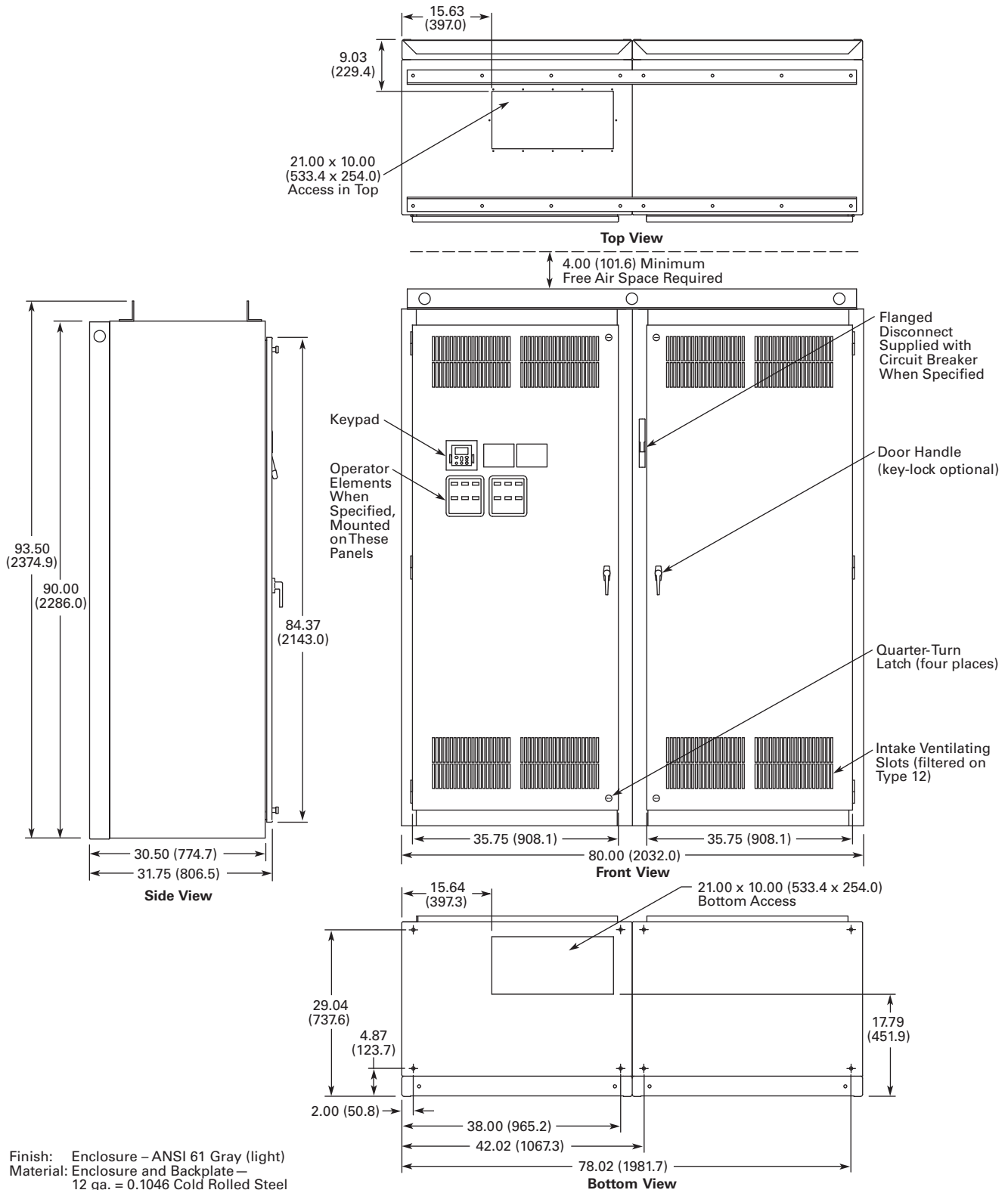
Enclosure Size 9

2



Approximate Dimensions in Inches (mm)

Enclosure Size 10



Finish: Enclosure – ANSI 61 Gray (light)
 Material: Enclosure and Backplate –
 12 ga. = 0.1046 Cold Rolled Steel

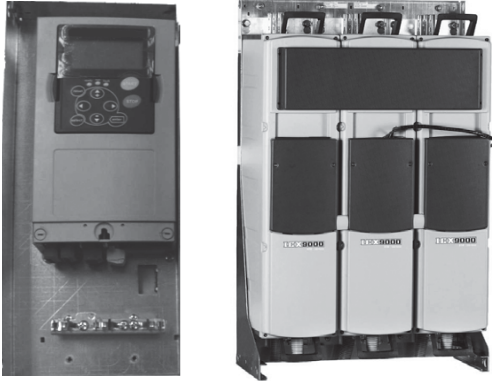
2.12

Adjustable Frequency Drives

LCX Liquid Cooled Drives

LCX Liquid Cooled Adjustable Frequency Drives

2



Contents

Description

	<i>Page</i>
LCX Drives	
Catalog Number Selection	V6-T2-393
Product Selection	V6-T2-394
Options	V6-T2-397
Technical Data and Specifications	V6-T2-398
Wiring Diagrams	V6-T2-399
Dimensions	V6-T2-401

Product Description

The LCX Liquid Cooled Drive family continues Eaton’s tradition of providing state-of-the-industry products, by taking advantage of liquid cooling technology in lieu of air-cooling techniques.

The LCX drives are liquid-cooled products that utilize potable water or a water-glycol mixture as a cooling medium.

Features and Benefits

- Compact size and low heat transfer rates allow enclosure size to be greatly reduced, which is especially beneficial in UL Type 4X applications
- Design is modular, with control and power modules independent of each other. Connection between power and control modules can be direct or extended via a fiber optic cable
- Same reliable control module and operating system as the SPX air-cooled drives
- CE mark ensures compliance with the Electromagnetic Compatibility Directive (EMC) and the Low Voltage Directive (LVD)
- Reliable drive with over 500,000 hours MTBF based on MIL 217
- Currently supports DeviceNet, PROFIBUS-DP, Modbus RTU and Modbus TCP communication protocols
- Separately mounted line reactor included with AC fed models

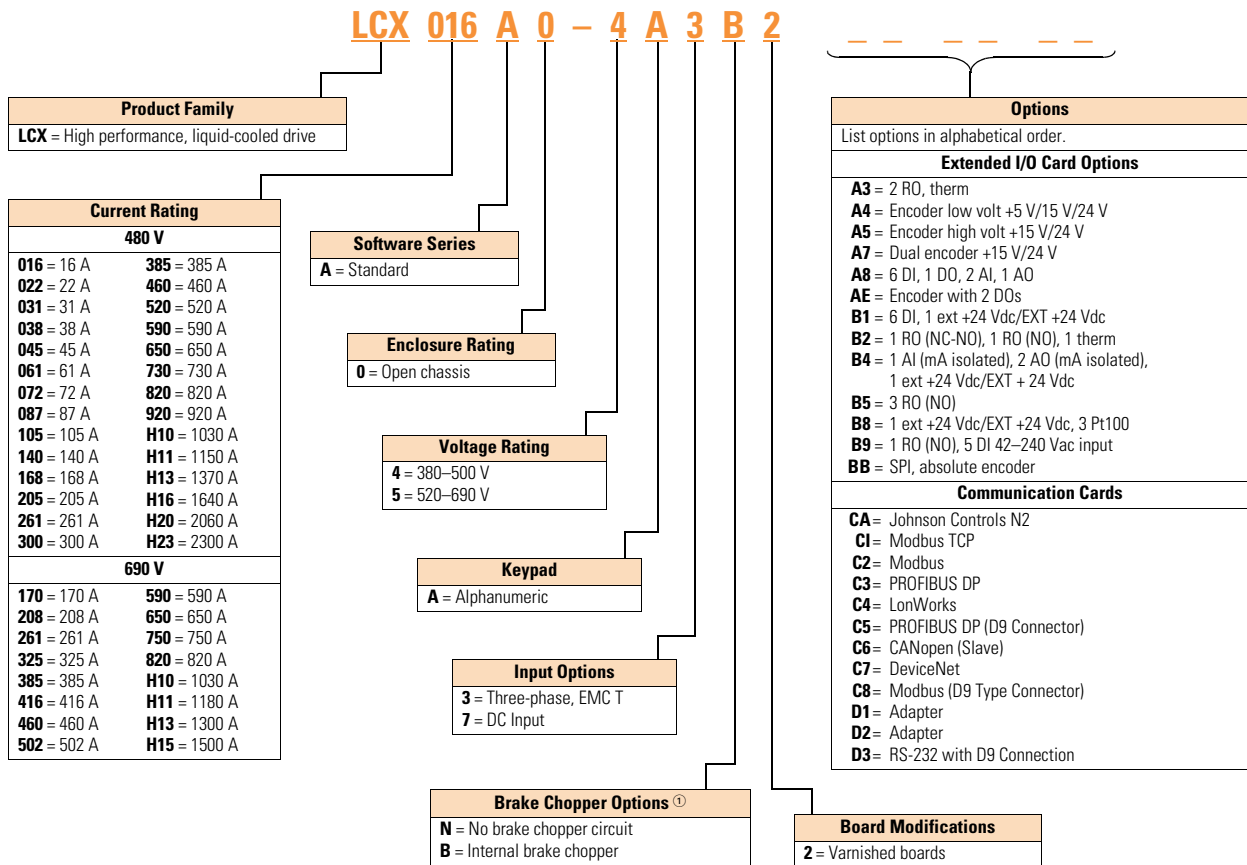
Standards and Certifications

- UL
- cUL
- CE
- IEC



Catalog Number Selection

LCX Liquid Cooled Adjustable Frequency Drives

**Note**

① Brake chopper is only available in 480 V CH3 drives.

Product Selection

2

LCX Liquid Cooled
Drives

380–500 Vac Liquid Cooled Drives

Motor Output

Current

Thermal, I_{th} (A)	I_L (A)	I_H (A)	kW	Chassis	Catalog Number
16	15	11	7.5	CH3	LCX016A0-4A3N2
22	20	15	11	CH3	LCX022A0-4A3N2
31	28	21	15	CH3	LCX031A0-4A3N2
38	35	25	18.5	CH3	LCX038A0-4A3N2
45	41	30	22	CH3	LCX045A0-4A3N2
61	55	41	30	CH3	LCX061A0-4A3N2
72	65	48	37	CH4	LCX072A0-4A3N2
87	79	58	45	CH4	LCX087A0-4A3N2
105	95	70	55	CH4	LCX105A0-4A3N2
140	127	93	75	CH4	LCX140A0-4A3N2
168	153	112	90	CH5	LCX168A0-4A3N2
205	186	137	110	CH5	LCX205A0-4A3N2
261	237	174	132	CH5	LCX261A0-4A3N2
300	273	200	160	CH61	LCX300A0-4A3N2
385	350	257	200	CH61	LCX385A0-4A3N2
460	418	307	250	CH72	LCX460A0-4A3N2
520	473	347	250	CH72	LCX520A0-4A3N2
590	536	393	315	CH72	LCX590A0-4A3N2
650	591	433	355	CH72	LCX650A0-4A3N2
730	664	487	400	CH72	LCX730A0-4A3N2
820	745	547	450	CH63	LCX820A0-4A3N2
920	836	613	500	CH63	LCX920A0-4A3N2
1030	936	687	560	CH63	LCXH10A0-4A3N2
1150	1045	766	600	CH63	LCXH11A0-4A3N2
1370	1245	913	700	CH74	LCXH13A0-4A3N2
1640	1491	1093	900	CH74	LCXH16A0-4A3N2
2060	1873	1373	1100	CH74	LCXH20A0-4A3N2
2300	2091	1533	1200	CH74	LCXH23A0-4A3N2

LCX Liquid Cooled Drives



525–690 Vac Liquid Cooled Drives

Motor Output

Current

Thermal, I_{th} (A)	I_L (A)	I_H (A)	kW	Chassis	Catalog Number
170	155	113	110	CH61	LCX170A0-5A3N2
208	189	139	132	CH61	LCX208A0-5A3N2
261	237	174	160	CH72	LCX261A0-5A3N2
325	295	217	200	CH72	LCX325A0-5A3N2
385	350	257	250	CH72	LCX385A0-5A3N2
416	378	277	250	CH72	LCX416A0-5A3N2
460	418	307	300	CH72	LCX460A0-5A3N2
502	456	335	355	CH72	LCX502A0-5A3N2
590	536	393	400	CH63	LCX590A0-5A3N2
650	591	433	450	CH63	LCX650A0-5A3N2
750	682	500	500	CH63	LCX750A0-5A3N2
820	745	547	560	CH74	LCX820A0-5A3N2
920	836	613	650	CH74	LCX920A0-5A3N2
1030	936	687	700	CH74	LCXH10A0-5A3N2
1180	1073	787	800	CH74	LCXH11A0-5A3N2
1300	1182	867	900	CH74	LCXH13A0-5A3N2
1500	1364	1000	1000	CH74	LCXH15A0-5A3N2

540–675 Vdc Liquid Cooled Inverter Units

Drive Output

Current

Thermal I_{th} (A)	Rated Cont. I_L (A)	Rated Cont. I_H (A)	Motor Output Power		Power Loss c/a/T (kW)	Chassis	Catalog Number
			Optimum Motor at I_{th} 400 V (kW)	Optimum Motor at I_{th} 500 V (kW)			
16	15	11	7.5	11	0.4/0.2/0.6	CH3	LCX016A0-4A7B2
22	20	15	11	15	0.5/0.2/0.7	CH3	LCX022A0-4A7B2
31	28	21	15	18.5	0.7/0.2/0.9	CH3	LCX031A0-4A7B2
38	35	25	18.5	22	0.8/0.2/1.0	CH3	LCX038A0-4A7B2
45	41	30	22	30	1.0/0.3/1.3	CH3	LCX045A0-4A7B2
61	55	41	30	37	1.3/0.3/1.5	CH3	LCX061A0-4A7B2
72	65	48	37	45	1.2/0.3/1.5	CH4	LCX072A0-4A7N2
87	79	58	45	55	1.5/0.3/1.8	CH4	LCX087A0-4A7N2
105	95	70	55	75	1.8/0.3/2.1	CH4	LCX105A0-4A7N2
140	127	93	75	90	2.3/0.3/2.6	CH4	LCX140A0-4A7N2
168	153	112	90	110	2.5/0.3/2.8	CH5	LCX168A0-4A7N2
205	186	137	110	132	3.0/0.4/3.4	CH5	LCX205A0-4A7N2
261	237	174	132	160	4.0/0.4/4.4	CH5	LCX261A0-4A7N2
300	273	200	160	200	4.5/0.4/4.9	CH61	LCX300A0-4A7N2
385	350	257	200	250	5.5/0.5/6.0	CH61	LCX385A0-4A7N2
460	418	307	250	315	5.5/0.5/6.0	CH62	LCX460A0-4A7N2
520	473	347	250	355	6.5/0.5/7.0	CH62	LCX520A0-4A7N2
590	536	393	315	400	7.5/0.6/8.1	CH62	LCX590A0-4A7N2

2.12

Adjustable Frequency Drives

LCX Liquid Cooled Drives

LCX Liquid Cooled Drives

2



540–675 Vdc Liquid Cooled Inverter Units, continued

Drive Output

Current			Motor Output Power		Power Loss c/a/T (kW)	Chassis	Catalog Number
Thermal I_{th} (A)	Rated Cont. I_L (A)	Rated Cont. I_H (A)	Optimum Motor at I_{th} 400 V (kW)	Optimum Motor at I_{th} 500 V (kW)			
650	591	433	355	450	8.5/0.6/9.1	CH62	LCX650A0-4A7N2
730	664	487	400	500	10.0/0.7/10.7	CH62	LCX730A0-4A7N2
820	745	547	450	560	12.5/0.8/13.3	CH63	LCX820A0-4A7N2
920	836	613	500	600	14.4/0.9/15.3	CH63	LCX920A0-4A7N2
1030	936	687	560	700	16.5/1.0/17.5	CH63	LCXH10A0-4A7N2
1150	1045	766	600	750	18.4/1.0/19.5	CH63	LCXH11A0-4A7N2
1370	1245	913	700	900	15.5/1.0/16.5	CH64	LCXH13A0-4A7N2
1640	1491	1093	900	1100	19.5/1.2/20.7	CH64	LCXH16A0-4A7N2
2060	1873	1373	1100	1400	26.5/1.5/28.0	CH64	LCXH20A0-4A7N2
2300	2091	1533	1250	1500	29.6/1.7/31.3	CH64	LCXH23A0-4A7N2
2470	2245	1647	1300	1600	36.0/2.0/38.0	2*CH64	LCXH24A0-4A7N2
2950	2681	1967	1550	1950	39.0/2.4/41.4	2*CH64	LCXH29A0-4A7N2
3710	3372	2473	1950	2450	48.0/2.7/50.7	2*CH64	LCXH37A0-4A7N2
4140	3763	2760	2150	2700	53.0/3.0/66.0	2*CH64	LCXH41A0-4A7N2

710–930 Vdc Liquid Cooled Inverter Unit

Drive Output

Current			Motor Output Power		Power Loss c/a/T (kW)	Chassis	Catalog Number
Thermal I_{th} (A)	Rated Cont. I_L (A)	Rated Cont. I_H (A)	Optimum Motor at I_{th} 400 V (kW)	Optimum Motor at I_{th} 500 V (kW)			
170	155	113	110	160	4.5/0.2/4.7	CH61	LCX170A0-5A7N2
208	189	139	132	200	5.5/0.3/5.8	CH61	LCX208A0-5A7N2
261	237	174	160	250	5.5/0.3/5.8	CH61	LCX261A0-5A7N2
325	295	217	200	300	6.5/0.3/6.8	CH62	LCX325A0-5A7N2
385	350	257	250	355	7.5/0.4/7.9	CH62	LCX385A0-5A7N2
416	378	277	250	355	8.0/0.4/8.4	CH62	LCX416A0-5A7N2
460	418	307	300	400	8.5/0.4/8.9	CH62	LCX460A0-5A7N2
502	456	335	355	450	10.0/0.5/10.5	CH62	LCX502A0-5A7N2
590	536	393	400	560	10.0/0.5/10.5	CH63	LCX590A0-5A7N2
650	591	433	450	600	13.5/0.7/14.2	CH63	LCX650A0-5A7N2
750	682	500	500	700	16.0/0.8/16.8	CH63	LCX750A0-5A7N2
820	745	547	560	800	16.0/0.8/16.8	CH64	LCX820A0-5A7N2
920	836	613	650	850	18.0/0.9/18.9	CH64	LCX920A0-5A7N2
1030	936	687	700	1000	19.0/1.0/20.0	CH64	LCXH10A0-5A7N2
1180	1073	787	800	1100	21.0/1.0/20.1	CH64	LCXH11A0-5A7N2
1300	1182	867	900	1200	27.0/1.4/28.4	CH64	LCXH13A0-5A7N2
1500	1364	1000	1050	1400	32.0/1.6/33.6	CH64	LCXH15A0-5A7N2
1700	1545	1133	1150	1550	N/A	CH64	LCXH17A0-5A7N2
1850	1682	1233	1250	1650	34.2/1.8/36.0	2*CH64	LCXH18A0-5A7N2
2120	1927	1413	1450	1900	37.8/2.0/39.8	2*CH64	LCXH21A0-5A7N2
2340	2127	1560	1600	2100	48.6/2.5/51.1	2*CH64	LCXH23A0-5A7N2
2700	2455	1800	1850	2450	57.6/3.0/60.6	2*CH64	LCXH27A0-5A7N2
3100	2818	2066	2150	2800	N/A	2*CH64	LCXH31A0-5A7N2

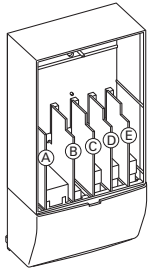
Options

9000X Series Option Board Kits

The 9000X Series drives can accommodate a wide selection of expander and adapter option boards to customize the drive for your application needs. The drive's control unit is designed to accept a total of five option boards.

The 9000X Series factory installed standard board configuration includes an A9 I/O board and an A2 relay output board, which are installed in slots A and B.

Option Boards



Option Board Kits

Option Kit Description ^①	Allowed Slot Locations ^②	Field Installed Catalog Number	Factory Installed Option Designator	SVX Ready Programs						
				Basic	Local/Remote	Standard	MSS	PID	Multi-P.	PFC
Standard I/O Cards										
2 RO (NC-NO)	B	OPTA2	—	■	■	■	■	■	■	■
6 DI, 1 DO, 2 AI, 1 AO, 1 +10 Vdc ref, 2 ext +24 Vdc/EXT +24 Vdc	A	OPTA9	—	■	■	■	■	■	■	■
Extended I/O Cards										
2 RO, therm	B	OPTA3	A3	—	■	■	■	■	■	■
Encoder low Volt +5 V/15 V/24 V	C	OPTA4	A4	—	■	■	■	■	■	■
Encoder high Volt +15 V/24 V	C	OPTA5	A5	—	■	■	■	■	■	■
Dual encoder +15 V/24 V	C	OPTA7	A7	—	■	■	■	■	■	■
6 DI, 1 DO, 2 AI, 1 AO	A	OPTA8	A8	—	■	■	■	■	■	■
3 DI (encoder 10–24 V), out +15 V/+24 V, 2 DO (pulse+direction)—SPX only	C	OPTAE	AE	■	■	■	■	■	■	■
6 DI, 1 ext +24 Vdc/EXT +24 Vdc	B, C, D , E	OPTB1	B1	—	—	—	—	—	■	■
1 RO (NC-NO), 1 RO (NO), 1 therm	B, C, D , E	OPTB2	B2	—	—	—	—	—	■	■
1 AI (mA isolated), 2 AO (mA isolated), 1 ext +24 Vdc/EXT +24 Vdc	B, C, D , E	OPTB4	B4	—	■	■	■	■	■	■
3 RO (NO)	B, C, D , E	OPTB5	B5	—	—	—	—	—	■	■
1 ext +24 Vdc/EXT +24 Vdc, 3 Pt100	B, C, D , E	OPTB8	B8	—	—	—	—	—	—	—
1 RO (NO), 5 DI 42–240 Vac input	B, C, D , E	OPTB9	B9	—	—	—	—	—	■	■
SPI, absolute encoder	C	OPTBB	BB	—	—	—	—	—	—	—
Communication Cards ^③										
Modbus	D , E	OPTC2	C2	■	■	■	■	■	■	■
Johnson Controls N2	D , E	OPTC2	CA	—	—	—	—	—	—	—
PROFIBUS DP	D , E	OPTC3	C3	■	■	■	■	■	■	■
LonWorks	D , E	OPTC4	C4	■	■	■	■	■	■	■
PROFIBUS DP (D9 connector)	D , E	OPTC5	C5	■	■	■	■	■	■	■
CANopen (slave)	D , E	OPTC6	C6	■	■	■	■	■	■	■
DeviceNet	D , E	OPTC7	C7	■	■	■	■	■	■	■
Modbus (D9 Type connector)	D , E	OPTC8	C8	■	■	■	■	■	■	■
Modbus TCP	D , E	OPTC1	C1	■	■	■	■	■	■	■
Adapter—SPX only	D , E	OPTD1	D1	■	■	■	■	■	■	■
Adapter—SPX only	D , E	OPTD2V	D2	■	■	■	■	■	■	■
RS-232 with D9 connection	D , E	OPTD3	D3	■	■	■	■	■	■	■
Keypad										
9000X Series standard keypad	—	KEYPAD-STD	—	—	—	—	—	—	—	■
9000X Series remote mount keypad unit (keypad not included, includes 10 ft cable, keypad holder, mounting hardware)	—	OPTRMT-KIT-9000X	—	—	—	—	—	—	—	—

Notes

① AI = Analog Input; AO = Analog Output, DI = Digital Input, DO = Digital Output, RO = Relay Output

② Option card must be installed in one of the slots listed for that card. Slot indicated in bold is the preferred location.

③ OPTC2 is a multi-protocol option card.

Technical Data and Specifications

2

LCX Products

Description	Specification
General Specifications	
Line voltage	400 to 500 Vac; 525 to 690 Vac; (–10% to 10%) 465 to 800 Vdc; 640 to 1100 Vdc; (–0 to 0%)
Frequency	50/60 Hz
Line voltage variation	–10% to 10%
Input frequency variation	45–66 Hz
Continuous output current	Rated current at incoming cooling liquid temperature of 30 °C
Output frequency	0–320 Hz
Drive efficiency	>95%
Power factor (displacement)	0.96
Liquid coolant pressure	87 psi (6 bar) maximum
Liquid coolant flow rate	1.3 to 7.9 gal./min. (5 to 30 liter/min.) minimum depending on drive size
Liquid coolant fittings	Standard quick connect, NPT
Operating ambient temperature	–10/50 °C
Storage temperature	–40/70 °C
Humidity	95% maximum (non-condensing)
Altitude	3300 ft (1000 m) maximum without derating
Enclosure	IP00
Warranty	Standard terms, 3 years with certified start-up
Mains Connection	
Input voltage (V_{in})	400–500 Vac; 525–690 Vac; (–10%–10%) 465–800 Vdc; 640–1100 Vdc; (–0–0%)
Input frequency (f_{in})	45–66 Hz
Connection to mains	Once per minute or less (normal case)
Motor Connection	
Output voltage	0– V_{in}
Continuous output current	Rated current at nominal inflow cooling water temperature of 30 °C; Overload 2 sec./20 sec.
Starting current	Rated current at 2 sec./20 sec. if output frequency <30 Hz and temperature of heatsink <149 °F (65 °C)
Output frequency	0–320 Hz (standard); 7200 Hz (special software)
Frequency resolution	Application dependent
Control Characteristics	
Control method	Frequency control (V/f) Open loop: Sensorless vector control Closed loop: Frequency control Closed loop: Vector control
Switching frequency 480 V ①	Adjustable with parameter 2.6.9 Up to and including 61-Amp size: 1–16 kHz (factory default, 10 kHz) From 72-Amp size: 1–12 kHz (factory default, 3.6 kHz)
575 V ①	1–6 kHz (factory default, 1.5 kHz)
Frequency reference	Analog input: resolution 0.1% (10 bits); accuracy ±1% Panel reference: resolution 0.01 Hz
Field weakening point	30–320 Hz
Acceleration time	0.1–3000 seconds
Deceleration time	0.1–3000 seconds
Braking torque	DC brake: 30% x T_n (without brake option)

Description	Specification
Ambient Conditions	
Ambient operating temperature	14 °F (–10 °C), no frost to 122 °F (50 °C) at I_{th} 122 to 158 °F (50 to 70 °C), derating required
Storage temperature	–40 °F to 158 °F (–40 to 70 °C) No liquid in heatsink under 32 °F (0 °C)
Relative humidity	5–96% RH, noncondensing, no dripping water
Air quality	Chemical vapors: IEC 721-3-3, unit in operation, class 3C2 Mechanical particles: IEC 721-3-3, unit in operation, class 3S2 (no conductive dust allowed); No corrosive gases
Altitude	Up to 1,000 m: 100% load capacity (no derating) Above 1,000 m: Derating of 1% per each 100 m required
Vibration	EN 50178, EN 60068-2-6; 5–150 Hz Displacement amplitude: 0.25 mm (peak) at 3–31 Hz Max. acceleration amplitude: 1G at 31–150 Hz
Shock	EN 50178, EN 60068-2-27, UPS drop test (for applicable UPS weights) Storage and shipping: Max. 15 g, 11 ms (in package)
Enclosure class	IP00 open frame standard in entire kW/hp range
EMC	
Immunity	Fulfills all EMC immunity requirements
Emissions	EMC level N; EMC level T for IT networks
Safety	
Approvals	EN 50178, EN 60204-1, CE, UL, CUL, FI, GOST R, IEC 61800-5 (See unit nameplate for more detailed approvals.)
Control Connections	
Analog input voltage	0 to +10 V, $R_i = 200$ kohm (–10 V to +10 V joystick control) Resolution 0.1%; accuracy ±1%
Analog input current	0(4)–20 mA, $R_i = 250$ ohm differential
Digital inputs	6 positive or negative logic; 18–24 Vdc
Auxiliary voltage	+24 V, ±15%, max. 250 mA
Output reference voltage	+10 V, +3%, max. load 10 mA
Analog output	0(4)–20 mA, R_i max. 500 ohm Resolution 10 bits; accuracy ±2%
Digital outputs	Open collector output, 50 mA/48V
Relay outputs	Two programmable change-over relay outputs Switching capacity: 24 Vdc/8 A, 250 Vac/8 A, 125 Vdc/0.4 A Min. switching load: 5 V/10 mA

Note

- ① Derating required if higher switching frequency than the default is used.

LCX Products, continued

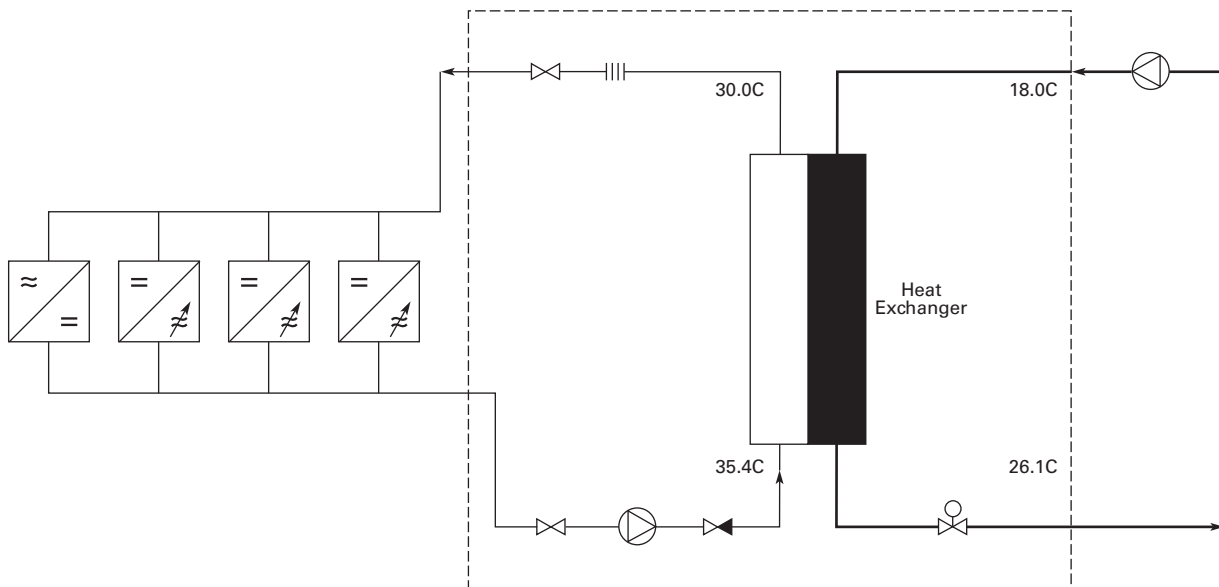
Description	Specification
Protections	
Overvoltage protection	
480 V	911 V
575 V	1200 V
Undervoltage protection	
480 V	333 V
575 V	461 V
Ground fault protection	In case of ground fault in motor or motor cable, only the drive is protected
Mains supervision	Trips if any of the input phases are missing (drives only)
Motor phase supervision	Trips if any of the output phases are missing
Unit overtemperature protection	
Alarm limit	149 °F (65 °C) for heatsink, 158 °F (70 °C) for circuit boards
Trip limit	158 °F (70 °C) for heatsink, 185 °F (85 °C) for circuit boards

Description	Specification
Protections, continued	
Overcurrent protection	Yes
Motor overload protection	Yes
Motor stall protection	Yes
Motor underload protection	Yes
Short-circuit protection	Yes (+24 V and +10 V reference voltages)
Liquid Cooling	
Allowed cooling agents	Drinking water Water-glycol mixture
Temperature of cooling agent	32 to 86 °F (0 to 30 °C) at I_{th} for input; 86 to 149 °F (30 to 65 °C) Max. temperature rise during circulation: 9 °F (5 °C), no condensation allowed
System max. working pressure	87 psi (6 bar)
System max. peak pressure	580 psi (40 bar)
Pressure loss (at nominal flow)	Varies according to size

Wiring Diagrams

Cooling System Diagrams

Example of a Typical Cooling System



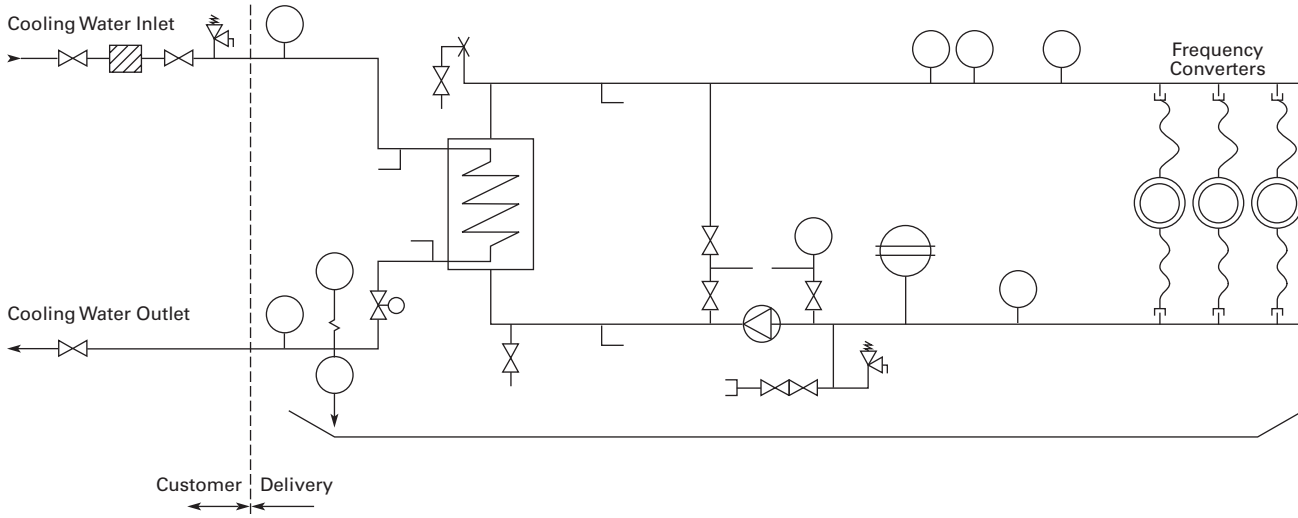
2.12

Adjustable Frequency Drives

LCX Liquid Cooled Drives

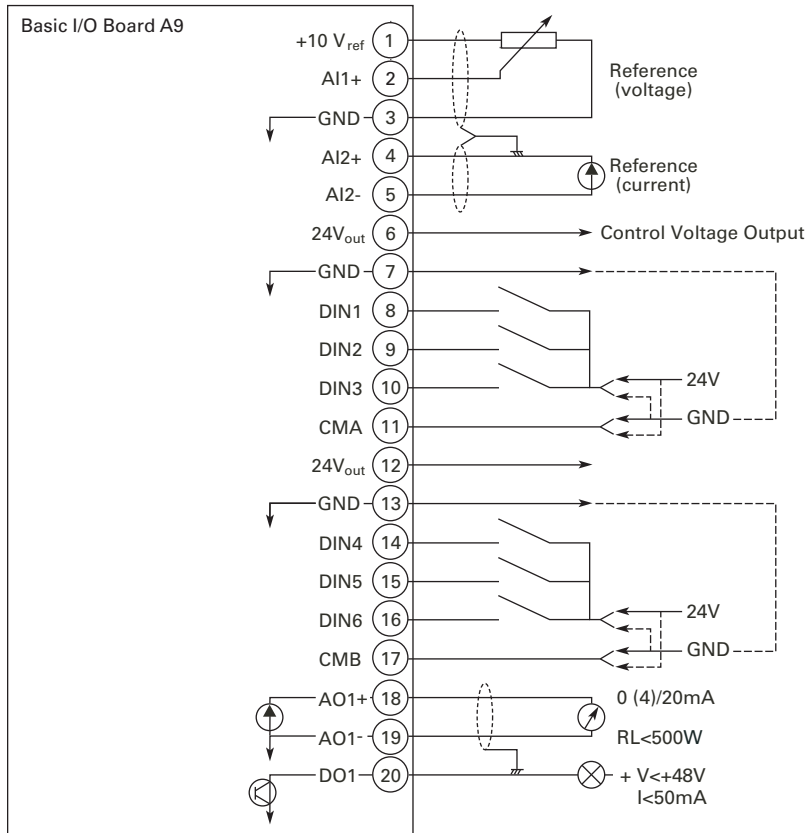
Example PI-Diagram of a Typical Cooling System and Connections

2



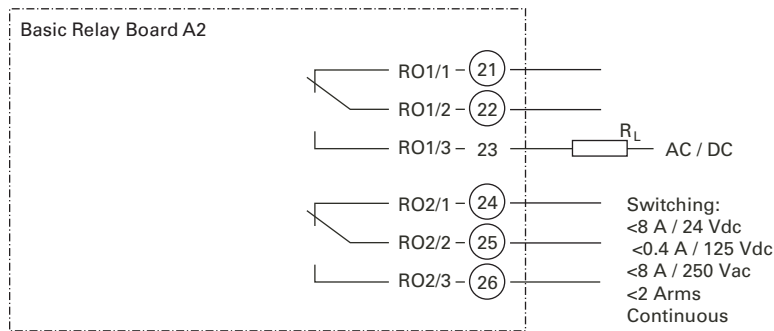
I/O Board Diagrams

A9 Option Board Control Wiring



Dotted lines indicate the connections for inverted signals

A2 Option Board Wiring

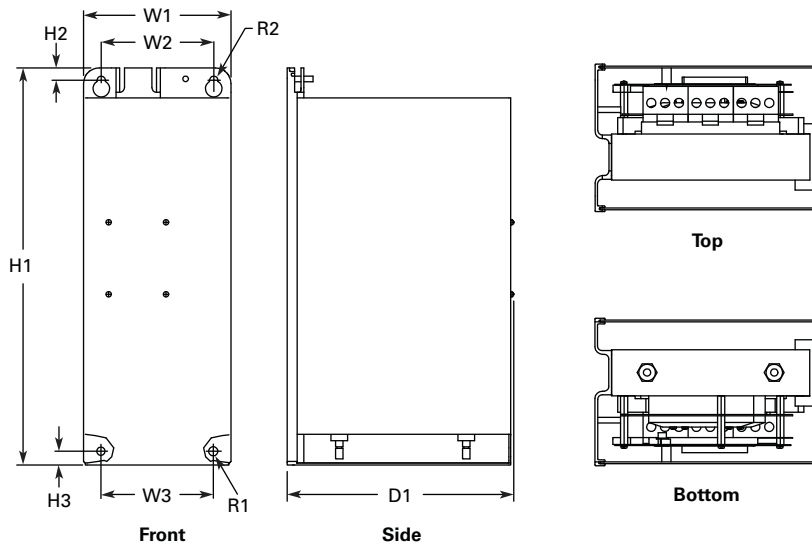


Dimensions

Approximate Dimensions in Inches (mm)

LCX Drives

Chassis Size, CH3



Voltage	Amps	H1	H2	H3	D1	W1	W2	W3	R1 Dia.	R2 Dia.	Weight Lbs (kg)
380-500 Vac	16-61	16.97 (431.0)	0.53 (13.5)	0.59 (15.0)	9.69 (246.0)	6.30 (160.0)	4.80 (122.0)	4.80 (122.0)	0.39 (10.0)	0.35 (9.0)	66 (30)

2.12

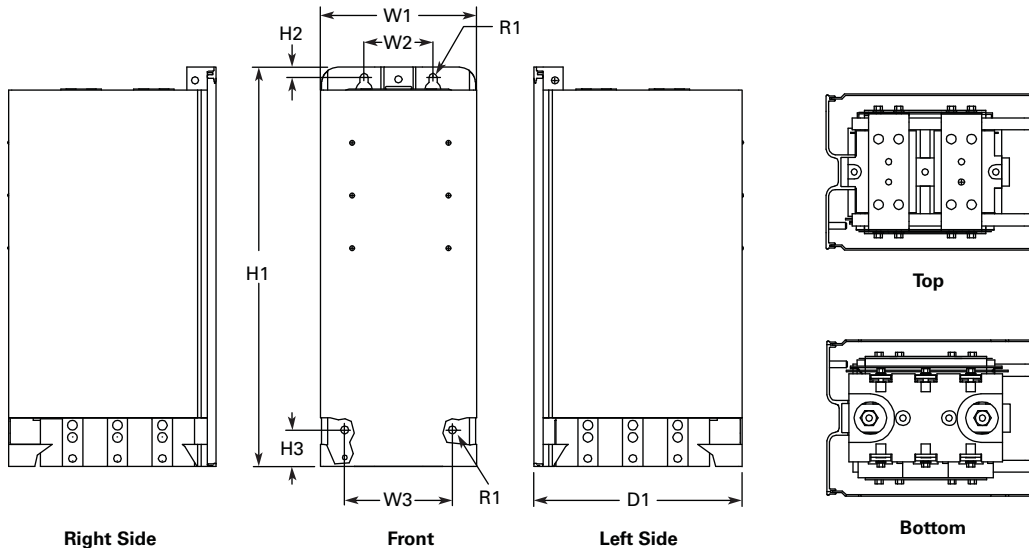
Adjustable Frequency Drives

LCX Liquid Cooled Drives

Approximate Dimensions in Inches (mm)

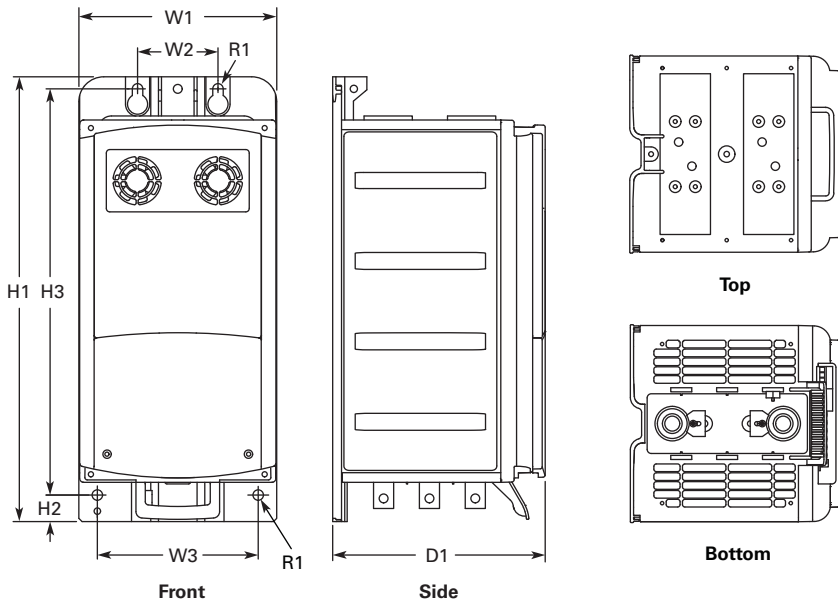
Chassis Size, CH4

2



Voltage	Amps	H1	H2	H3	D1	W1	W2	W3	R1 Dia.	R2 Dia.	Weight Lbs (kg)
380–500 Vac	72–140	19.41 (493.0)	0.49 (12.5)	1.77 (45.0)	10.14 (257.5)	7.60 (193.0)	3.35 (85.0)	5.24 (133.0)	0.39 (10.0)	—	77 (35)

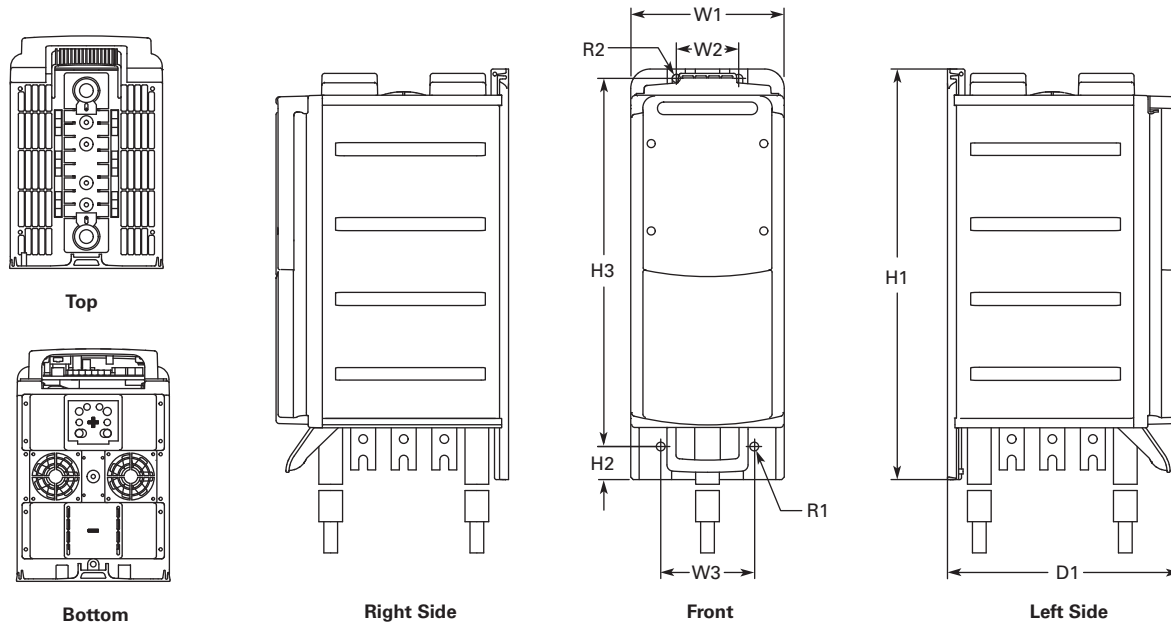
Chassis Size, CH5



Voltage	Amps	H1	H2	H3	D1	W1	W2	W3	R1 Dia.	R2 Dia.	Weight Lbs (kg)
380–500 Vac	168–261	21.77 (553.0)	1.30 (33.0)	19.88 (505.0)	10.39 (264.0)	9.69 (246)	3.94 (100.0)	7.87 (200.0)	0.51 (13.0)	—	88 (40)

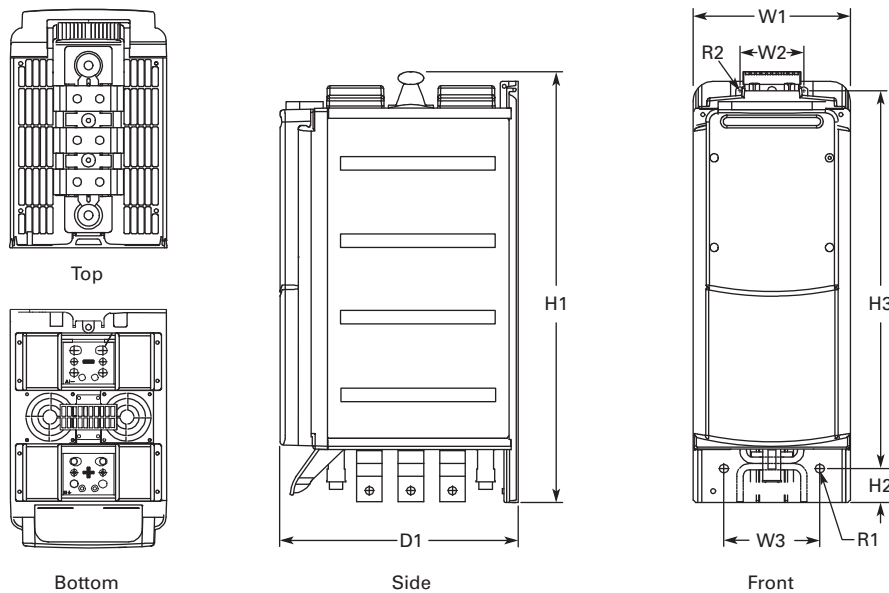
Approximate Dimensions in Inches (mm)

Chassis Size, CH61



Voltage	Amps	H1	H2	H3	D1	W1	W2	W3	R1 Dia.	R2 Dia.	Weight Lbs (kg)
380–500 Vac	300–385	25.91 (658.0)	2.09 (53.0)	23.23 (590.0)	14.69 (373.0)	9.69 (246.0)	3.94 (100.0)	5.91 (150.0)	0.55 (14.0)	0.51 (13.0)	121 (55)
525–690 Vac	170–208										

Liquid-Cooled Inverter—Chassis Size, CH62



Voltage	Amps	H1	H2	H3	D1	W1	W2	W3	R1 Dia.	R2 Dia.
540–675 Vdc	460–730	26.50 (673)	2.0 (53)	23.23 (590)	14.69 (373)	9.69 (246)	3.94 (100)	5.91 (150)	0.55 (14)	0.51 (13)
710–930 Vdc	325–502									

2.12

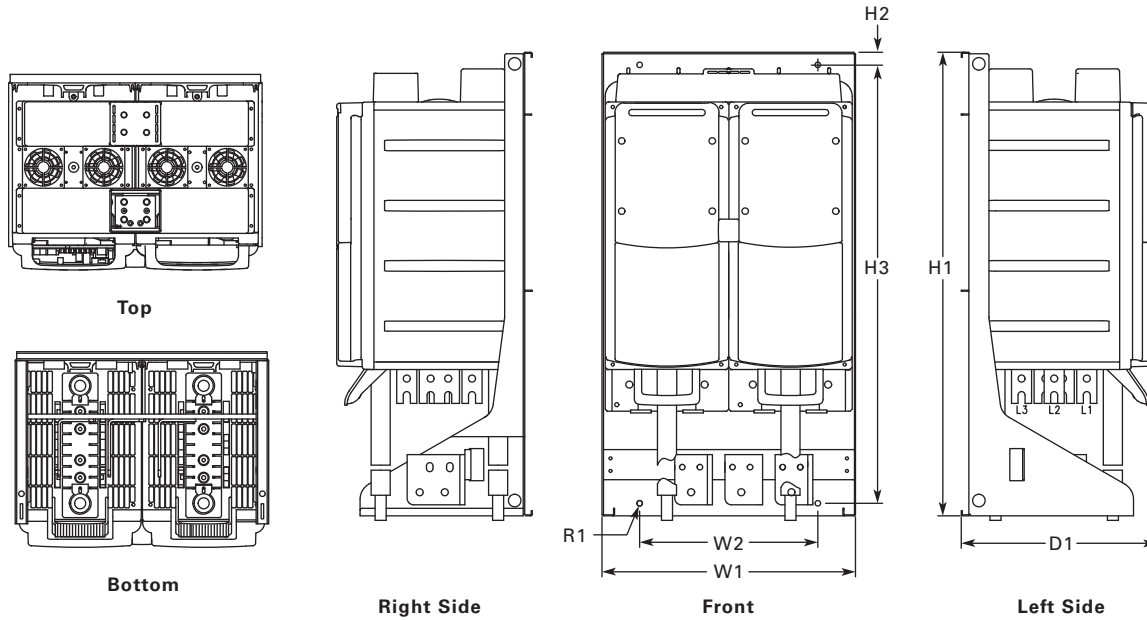
Adjustable Frequency Drives

LCX Liquid Cooled Drives

Approximate Dimensions in Inches (mm)

2

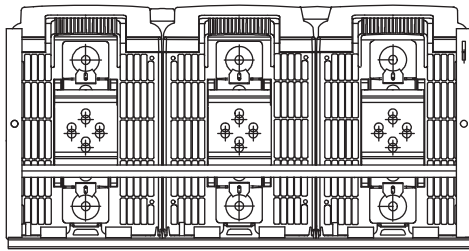
Chassis Size, CH63



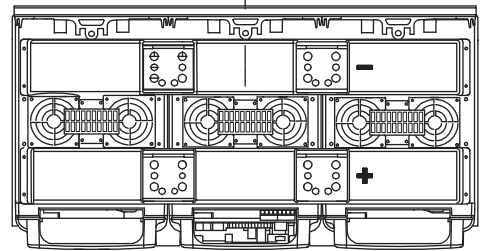
Voltage	Amps	H1	H2	H3	D1	W1	W2	R1 Dia.	Weight Lbs (kg)
380–500 Vac	820–1030	36.36 (923.5)	0.91 (23.0)	34.39 (873.5)	15.35 (390.0)	19.88 (505.0)	13.98 (355.0)	0.43 (11.0)	264 (120)
525–690 Vac	590–750								

Approximate Dimensions in Inches (mm)

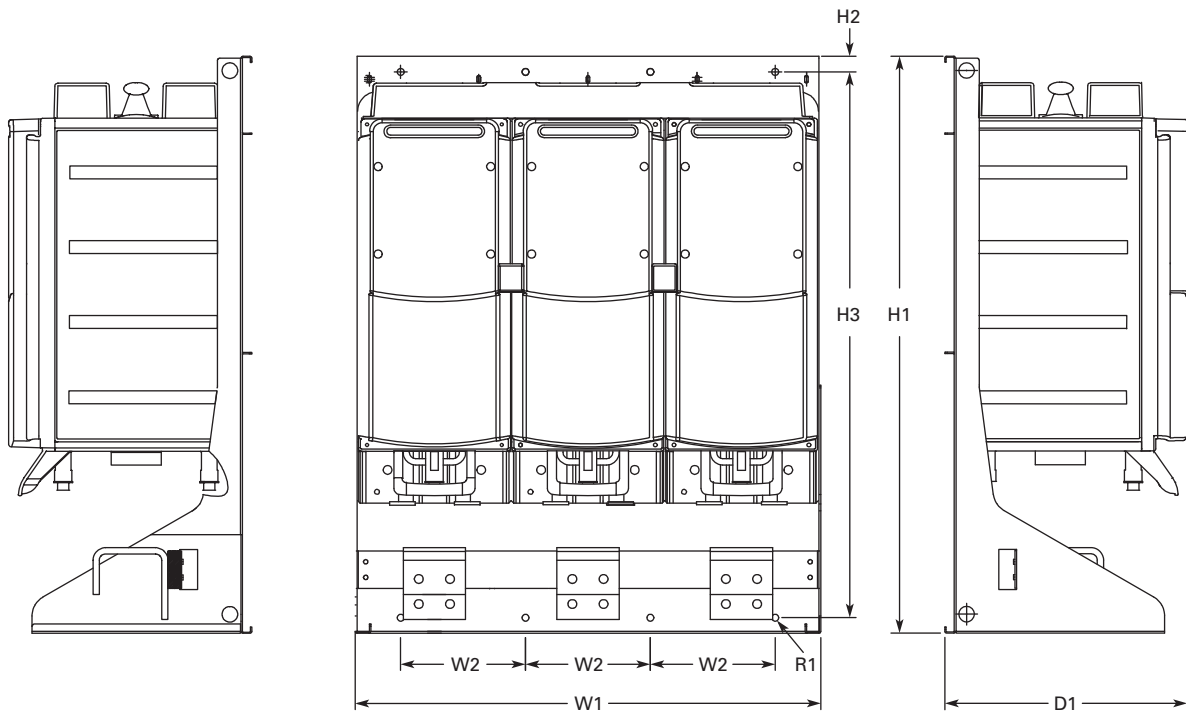
Liquid-Cooled Inverter with Mounting Bracket, Chassis Size CH64, IP90



Bottom



Top



Right Side

Front

Left Side

Voltage	Amps	H1	H2	H3	D1	W1	W2	R1 Dia.
540–675 Vdc	1370–4140	36.38	1.03	34.37	15.35	29.37	7.87	0.43
710–930 Vdc	820–3100	(924)	(26)	(873)	(390)	(746)	(200)	(11)

2.12

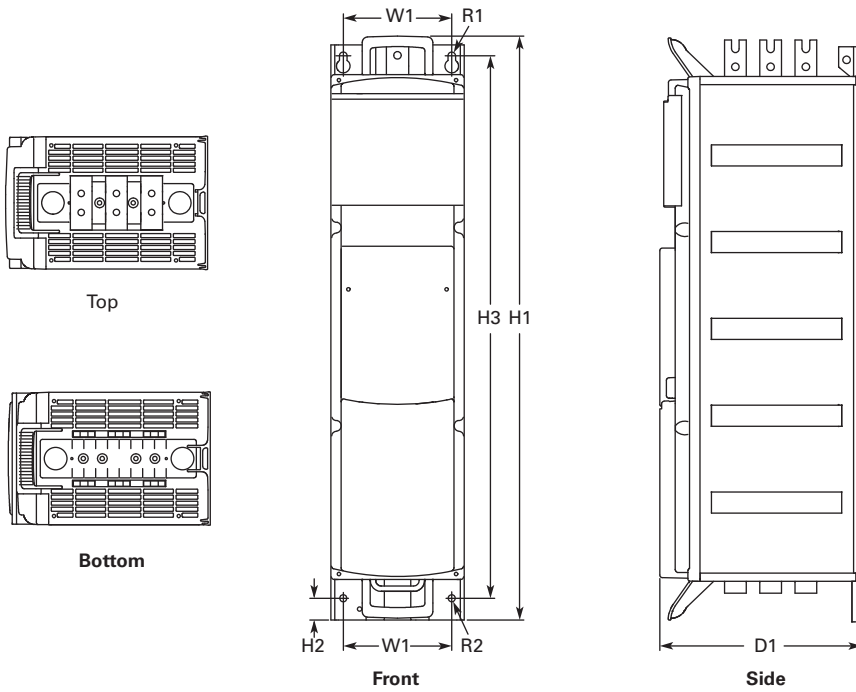
Adjustable Frequency Drives

LCX Liquid Cooled Drives

Approximate Dimensions in Inches (mm)

Chassis Size, CH72

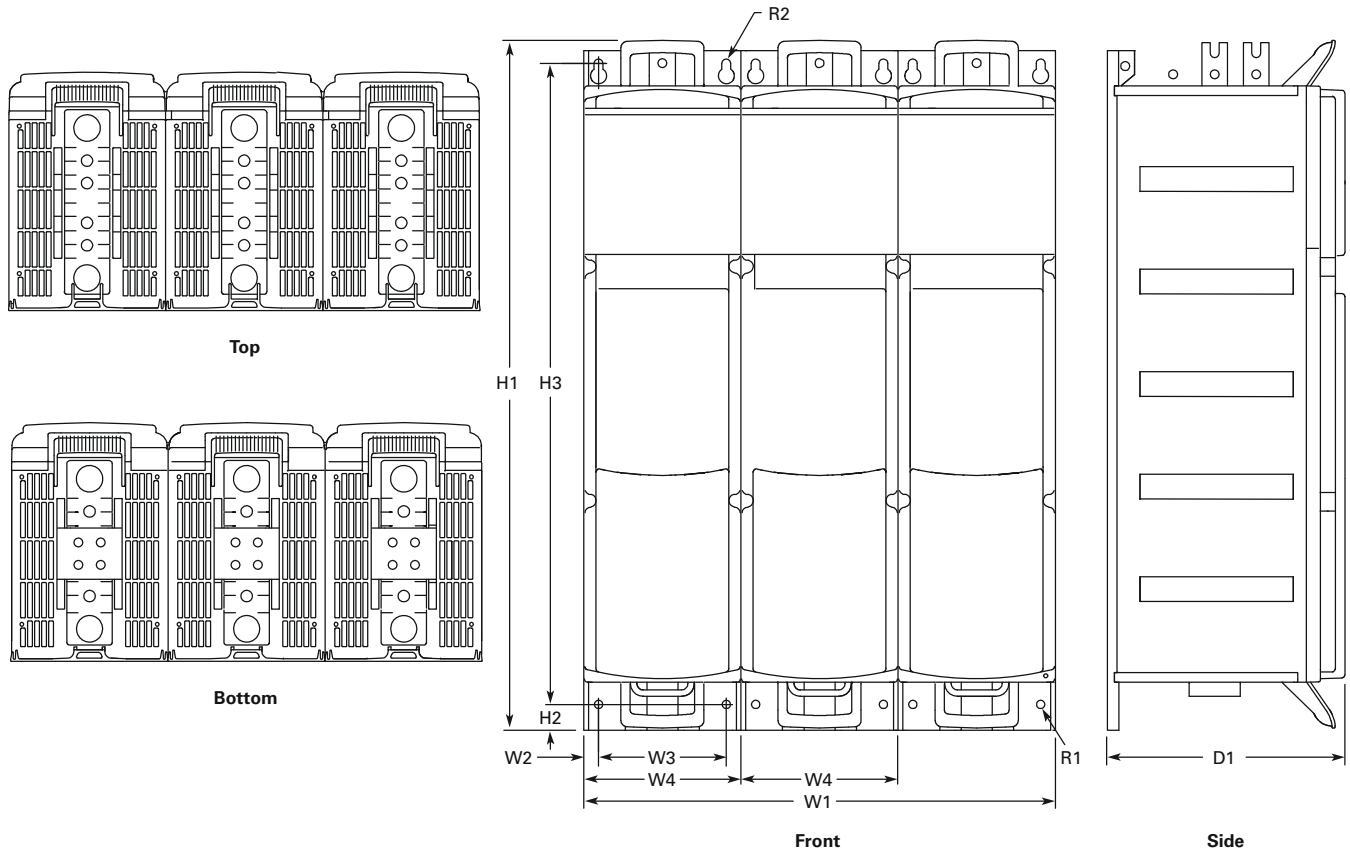
2



Voltage	Amps	H1	H2	H3	D1	W1	R1 Dia.	R2 Dia.	Weight Lbs (kg)
380–500 Vac	460–730	42.38	1.57	39.37	14.65	7.87	0.55	0.51	198 (90)
525–690 Vac	261–502	(1076.5)	(40.0)	(1000.0)	(372.0)	(200.0)	(14.0)	(13.0)	

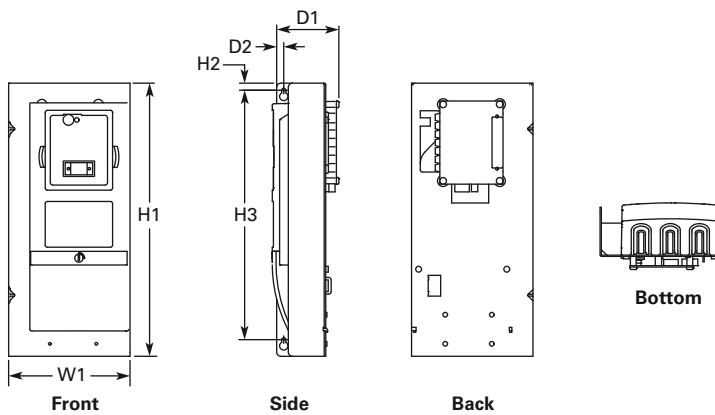
Approximate Dimensions in Inches (mm)

Chassis Size, CH74



Voltage	Amps	H1	H2	H3	D1	W1	W2	W3	W4	R1 Dia.	R2 Dia.	Weight Lbs (kg)
380–500 Vac	1370–2300	42.38 (1076.5)	1.57 (40.0)	39.37 (1000.0)	14.65 (372.0)	29.06 (738.0)	0.91 (23.0)	7.87 (200.0)	9.69 (246)	0.51 (13.0)	0.55 (14.0)	617 (280)
525–690 Vac	820–1500											

Control Unit



H1	H2	H3	D1	D2	W1
12.93 (328.5)	0.33 (8.5)	11.81 (300.0)	2.95 (75.0)	0.33 (8.5)	5.75 (146.0)

SPA/SPN/SPI Common DC Bus Drive Products

2



Contents

Description

Page

SPA/SPN/SPI Common DC Bus Drives	
Application Description	V6-T2-409
Product Comparison	V6-T2-409
Features	V6-T2-410
Standards and Certifications	V6-T2-410
Catalog Number Selection	V6-T2-410
Product Selection	V6-T2-412
Options	V6-T2-414
Technical Data and Specifications	V6-T2-415
Wiring Diagrams	V6-T2-417
Dimensions	V6-T2-418

Product Description

Eaton offers a comprehensive range of common DC bus drive products. The product family covers a number of front-end units and inverter units in the entire power range from 1-1/2 to 2000 horsepower at 460 V and 690 V. The drive components are built on the SPX technology.

Front-End Units

The front-end units convert a mains AC voltage and current into a DC voltage and current. The power is transferred from the mains to a common DC bus (and, in certain cases, vice versa).

The SPA (active front-end) unit is a bidirectional (regenerative) power converter for the front end of a common DC bus drive line up. An external LCL filter is used at the input. This unit is suitable in applications where low mains harmonics are required.

The SPN (non-regenerative front-end) unit is a unidirectional (motoring) power converter for the front-end of a common DC bus drive line-up. The device operates as a diode bridge using diode/thyristor components. A dedicated external choke is used at the input. The unit has the capacity to charge a common DC bus. This unit is suitable as a rectifying device when a "normal" level of harmonics is accepted and no regeneration to the mains is required.

Inverter Unit

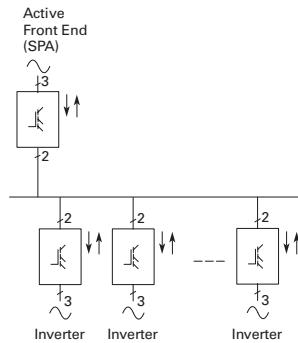
The SPI Inverter Unit is a bidirectional DC-fed power inverter for the supply and control of AC motors. The inverter is supplied from a common DC bus drive line-up. A charging circuit is needed in case a connection to a live DC bus is required. The DC side charging circuit is integrated up to 75 kW (FR4–FR8) and external for higher power ratings (F19–F114).

Application Description

The common DC bus product portfolio fulfills all solution demands with a flexible architecture.

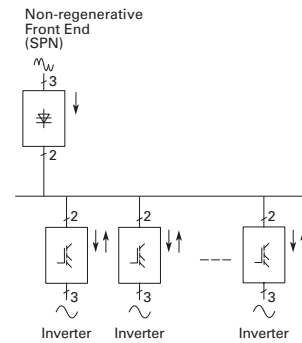
Front end units are selected according to the level of harmonics and power requirements. Typical drive system configurations are illustrated the following figures.

SPA + Inverters



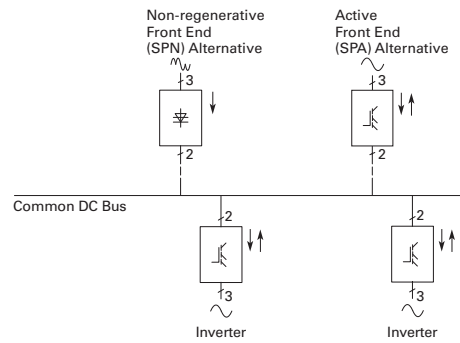
- Low harmonics, $-P_{\text{mains}} \approx +P_{\text{mains}}/P_{\text{mains}} \leq \Sigma P_{\text{INU}}$
- Suitable for almost every application

SPN + Inverters



- Low total mains power, $P_{\text{mains}} \leq \Sigma P_{\text{INU}}$
- Suitable e.g. for small processing line with un- and recoiler, em-stop coasting

Combination Configuration



Common DC bus components are used in a multitude of combinations. Drives which are braking can transfer the energy directly to the drives in motoring mode.

Product Comparison

Advantages over Conventional Front Ends

Eaton Front Ends vs. Conventional

	Non-Regenerative Front End	Active Front End	Conventional Regenerative Front End ①
Input device	Choke (L)	Filter (LCL)	Choke or auto-transformer (L)
Bridge type	Diode/thyristor bridge	IGBT bridge, two-level type	Anti-parallel connected thyristor bridge
Type of operation	Controlled half-bridge	High frequency modulation (1.5 to 3.6 kHz)	Firing angle controlled
Direction of power	Motoring	Motoring and regenerating	Motoring and regenerating
Charging	Constant current	External required	Usually internal
DC voltage	Nominal (approx. 1.35 alternative U_N)	Stable at +10% of nominal (approx. 110% of 1.35 alternative U_N)	Lowered DC voltage for commutation margin (e.g. 17% if approx. 83% of 1.35 alternative U_N) or autotransformer on regenerative bridge
THD	Similar to six-pulse bridge normal <40%	Very low	Similar to six-pulse bridge or worse

Note

① Conventional regenerative front end (a.k.a. "anti-parallel thyristor bridge") is not available from Eaton.

2.13

Adjustable Frequency Drives

SPA/SPN/SPI Common DC Bus Drives

Features

2

Standard Features

Feature	SPI		SPA		SPN
	FR4, 6, 7	FR8	FI9-F114	FI9-F114	FI9
IP00	—	■	■	■	■
IP21	■	—	—	—	—
Air cooling	■	■	■	■	■
Standard board	■	■	■	■	—
Varnished board	—	—	—	—	—
Alphanumeric keypad	■	■	■	■	—
EMC class T (EN 61800-3 for IT networks)	■	■	■	■	■
Safety CE/UL	■	■	■	■	■
Input choke	—	—	—	—	■
LCL filter	—	—	—	■	—
No integrated charging	—	—	■	■	—
Integrated charging (DC side)	■	■	—	—	■
Diode/thyristor rectifier	—	—	—	—	■
IGBT	■	■	■	■	—

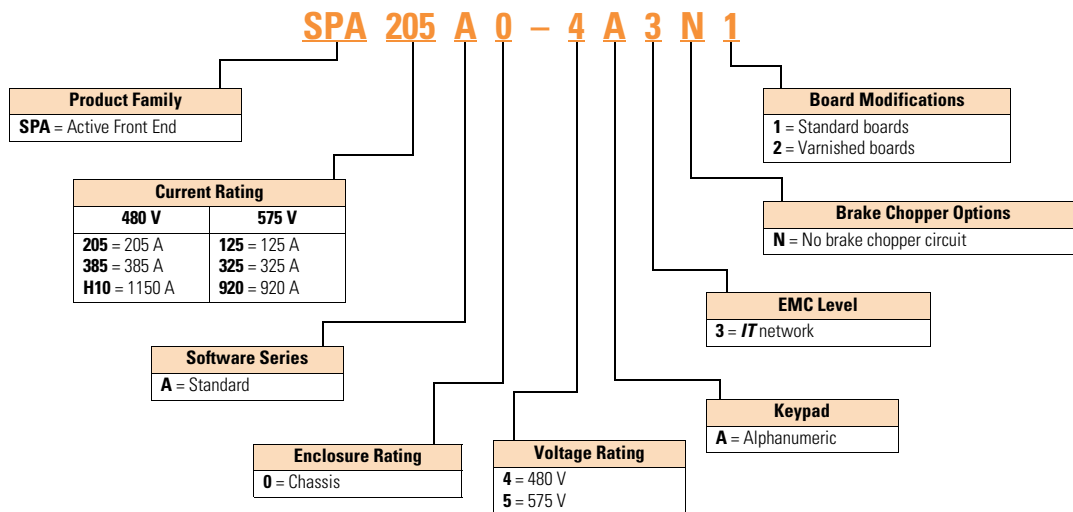
Standards and Certifications

- CE
- UL
- cUL
- EN 61800-5-1 (2003)

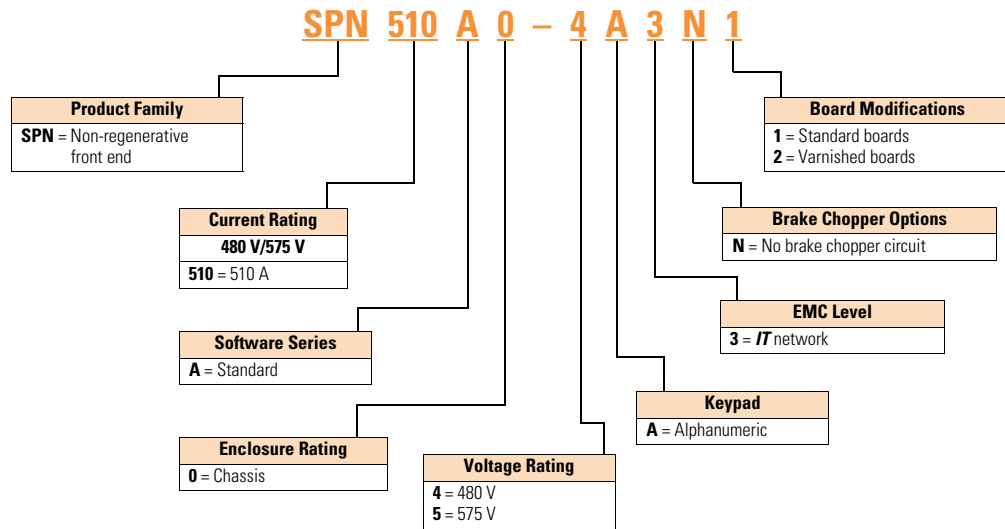


Catalog Number Selection

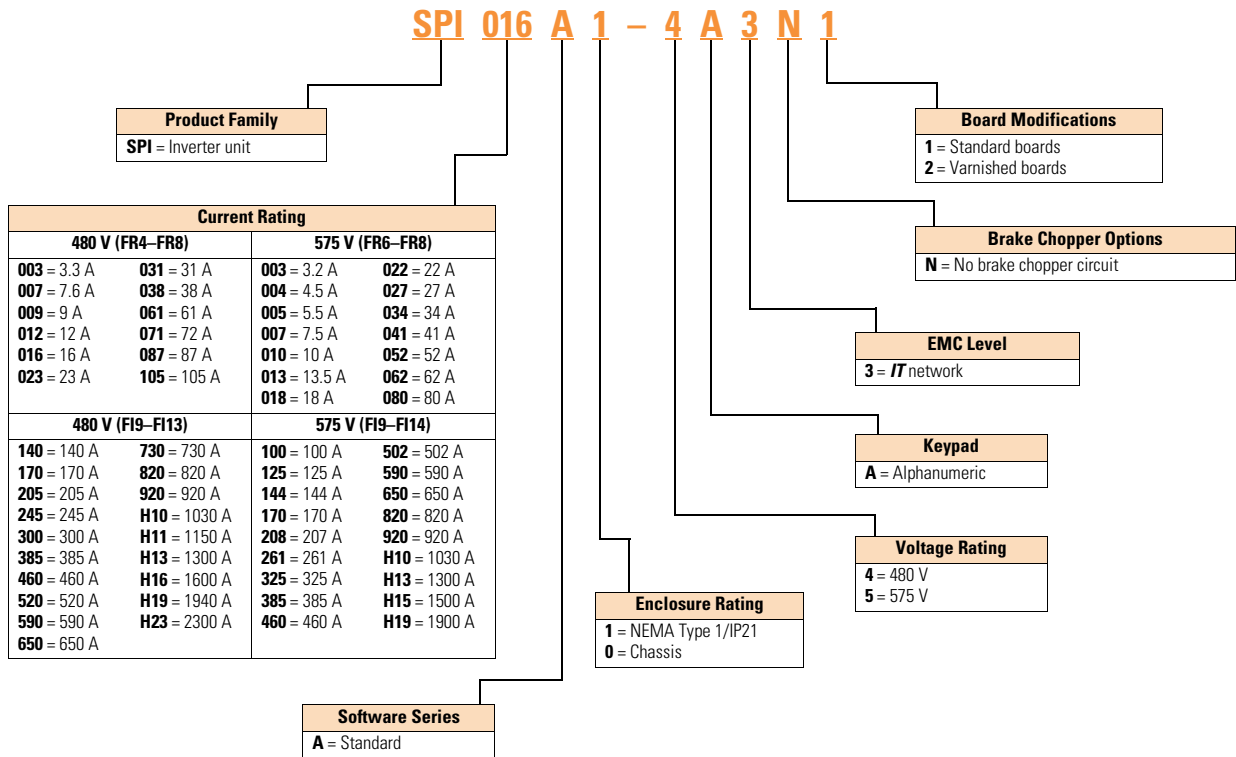
Active Front End



Non-Regenerative Front End



SPI Inverter Unit



Product Selection

2

Common DC Bus Drive Products



SPA Active Front End 480 V

Frame	Low Overload (AC Current)		High Overload (AC Current)		I _{max} I _{2s} (A)	Catalog Number
	I _{L-cont} (A)	I _{1 min} (A)	I _{H-cont} (A)	I _{1 min} (A)		
FI9	261	287	205	308	349	SPA205A0-4A3N1
FI10	460	506	385	578	693	SPA385A0-4A3N1
FI13	1300	1430	1150	1725	2070	SPAH11A0-4A3N1

SPN Non-Regenerative Front End 480 V

Frame	Low Overload (AC Current)		High Overload (AC Current)		I _{max} I _{2s} (A)	Catalog Number
	I _{L-cont} (A)	I _{1 min} (A)	I _{H-cont} (A)	I _{1 min} (A)		
FI9	520	572	460	690	828	SPN460A0-4A3N1

SPI Inverter Unit 480 V

Frame	Low Overload (AC Current)		High Overload (AC Current)		I _{max} I _{2s} (A)	Catalog Number
	I _{L-cont} (A)	I _{1 min} (A)	I _{H-cont} (A)	I _{1 min} (A)		
FR4	4.3	4.7	3.3	5	6.2	SPI003A1-4A3N1
	9	9.9	7.6	11.4	14	SPI007A1-4A3N1
	12	13.2	9	13.5	18	SPI009A1-4A3N1
FR6	16	17.6	12	18	24	SPI012A1-4A3N1
	23	25.3	16	24	32	SPI016A1-4A3N1
	31	34	23	35	46	SPI023A1-4A3N1
	38	42	31	47	62	SPI031A1-4A3N1
	46	51	38	57	76	SPI038A1-4A3N1
FR7	72	79	61	92	122	SPI061A1-4A3N1
	87	96	72	108	144	SPI072A1-4A3N1
	105	116	87	131	174	SPI087A1-4A3N1
FR8	140	154	105	158	210	SPI105A0-4A3N1
FI9	170	187	140	210	280	SPI140A0-4A3N1
	205	226	170	255	336	SPI170A0-4A3N1
	261	287	205	308	349	SPI205A0-4A3N1
	300	330	245	379	444	SPI245A0-4A3N1
FI10	385	424	300	450	540	SPI300A0-4A3N1
	460	506	385	578	693	SPI385A0-4A3N1
	520	572	460	690	828	SPI460A0-4A3N1
FI12	590	649	520	780	936	SPI520A0-4A3N1
	650	715	590	885	1062	SPI590A0-4A3N1
	730	803	650	975	1170	SPI650A0-4A3N1
	820	902	730	1095	1314	SPI730A0-4A3N1
	920	1012	820	1230	1476	SPI820A0-4A3N1
FI13	1030	1133	920	1380	1656	SPI920A0-4A3N1
	1150	1265	1030	1545	1854	SPIH10A0-4A3N1
	1300	1430	1150	1720	2070	SPIH11A0-4A3N1
FI14	1450	1595	1300	1950	2340	SPIH13A0-4A3N1
	1770	1947	1600	2400	2880	SPIH16A0-4A3N1
	2150	2365	1940	2910	3492	SPIH19A0-4A3N1

Common DC Bus Drive Products



SPA Active Front End 575 V

Frame	Low Overload (AC Current)		High Overload (AC Current)		I _{max} I _{2s} (A)	Catalog Number
	I _{L-cont} (A)	I _{1 min} (A)	I _{H-cont} (A)	I _{1 min} (A)		
FI9	144	158	125	188	213	SPA125A0-5A3N1
FI10	385	424	325	488	585	SPA325A0-5A3N1
FI13	1030	1133	920	1380	1656	SPA920A0-5A3N1

SPN Non-Regenerative Front End 575 V

Frame	Low Overload (AC Current)		High Overload (AC Current)		I _{max} I _{2s} (A)	Catalog Number
	I _{L-cont} (A)	I _{1 min} (A)	I _{H-cont} (A)	I _{1 min} (A)		
FI9	600	660	510	732	888	SPN510A0-5A3N1

SPI Inverter Unit 575 V

Frame	Low Overload (AC Current)		High Overload (AC Current)		I _{max} I _{2s} (A)	Catalog Number
	I _{L-cont} (A)	I _{1 min} (A)	I _{H-cont} (A)	I _{1 min} (A)		
FR6	4.5	5	3.2	5	6.4	SPI003A1-5A3N1
	5.5	6	4.5	7	9	SPI004A1-5A3N1
	7.5	8	5.5	8	11	SPI005A1-5A3N1
	10	11	7.5	11	15	SPI007A1-5A3N1
	13.5	15	10	15	20	SPI010A1-5A3N1
	18	20	13.5	20	27	SPI013A1-5A3N1
	22	24	18	27	36	SPI018A1-5A3N1
	27	30	22	33	44	SPI022A1-5A3N1
FR7	34	37	27	41	54	SPI027A1-5A3N1
	41	45	34	51	68	SPI034A1-5A3N1
FR8	52	57	41	62	82	SPI041A1-5A3N1
	62	68	52	78	104	SPI052A0-5A3N1
FR9	80	88	62	93	124	SPI062A0-5A3N1
	100	110	80	120	160	SPI080A0-5A3N1
	125	138	100	150	200	SPI100A0-5A3N1
FI9	144	158	125	188	213	SPI125A0-5A3N1
	170	187	144	216	245	SPI144A0-5A3N1
	208	229	170	255	289	SPI170A0-5A3N1
	261	287	208	312	375	SPI208A0-5A3N1
FI10	325	358	261	392	470	SPI261A0-5A3N1
	385	424	325	488	585	SPI325A0-5A3N1
	460	506	385	578	693	SPI385A0-5A3N1
FI12	502	552	460	690	828	SPI460A0-5A3N1
	590	649	502	753	904	SPI502A0-5A3N1
	650	715	590	885	1062	SPI590A0-5A3N1
	750	825	650	975	1170	SPI650A0-5A3N1
	920	1012	820	1230	1476	SPI820A0-5A3N1
FI13	1030	1133	920	1380	1656	SPI920A0-5A3N1
	1180	1298	1030	1464	1755	SPIH10A0-5A3N1
	1500	1650	1300	1950	2340	SPIH13A0-5A3N1
FI14	1900	2090	1500	2250	2700	SPIH15A0-5A3N1
	2250	2475	1900	2782	3335	SPIH19A0-5A3N1

Line Reactor

Line Reactor for Non-Regenerative Front End (480/575 VV)

Amps	Watts Losses	Catalog Number
600	493	CHK600

Options

SVX Series Option Board Kits

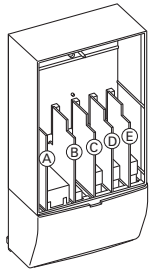
2

The SVX Series drives can accommodate a wide selection of expander and adapter option boards to customize the drive for your application needs. The drive's control unit is designed to accept a total of five option boards.

The SVX Series factory installed standard board configuration includes an A9 I/O board and an A2 relay output board, which are installed in slots A and B.

Option Boards

Option Board Kits



Option Kit Description ^①	Allowed Slot Locations ^②	Field Installed Catalog Number	Factory Installed Option Designator	SVX Ready Programs						
				Basic	Local/Remote	Standard	MSS	PID	Multi-P.	PFC
Standard I/O Cards										
2 RO (NC-NO)	B	OPTA2	—	■	■	■	■	■	■	■
6 DI, 1 DO, 2 AI, 1 AO, 1 +10 Vdc ref, 2 ext +24 Vdc/EXT +24 Vdc	A	OPTA9	—	■	■	■	■	■	■	■
Extended I/O Cards										
2 RO, therm	B	OPTA3	A3	—	■	■	■	■	■	■
Encoder low volt +5 V/15 V/24 V	C	OPTA4	A4	—	■	■	■	■	■	■
Encoder high volt +15 V/24 V	C	OPTA5	A5	—	■	■	■	■	■	■
Double encoder	C	OPTA7	A7	■	■	■	■	■	■	■
6 DI, 1 DO, 2 AI, 1 AO	A	OPTA8	A8	—	■	■	■	■	■	■
3 DI (encoder 10–24 V), out +15 V/+24 V, 2 DO (pulse+direction)	C	OPTAE	AE	■	■	■	■	■	■	■
6 DI, 1 ext +24 Vdc/EXT +24 Vdc	B, C, D , E	OPTB1	B1	—	—	—	—	—	■	■
1 RO (NC-NO), 1 RO (NO), 1 therm	B, C, D , E	OPTB2	B2	—	—	—	—	—	■	■
1 AI (mA isolated), 2 AO (mA isolated), 1 ext +24 Vdc/EXT +24 Vdc	B, C, D , E	OPTB4	B4	—	■	■	■	■	■	■
3 RO (NO)	B, C, D , E	OPTB5	B5	—	—	—	—	—	■	■
1 ext +24 Vdc/EXT +24 Vdc, 3 Pt100	B, C, D , E	OPTB8	B8	—	—	—	—	—	—	—
1 RO (NO), 5 DI 42–240 Vac input	B, C, D , E	OPTB9	B9	—	—	—	—	—	■	■
SPI, absolute encoder	C	OPTBB	BB	—	—	—	—	—	—	—
Communication Cards ^③										
Modbus	D, E	OPTC2	C2	■	■	■	■	■	■	■
Johnson Controls N2	D, E	OPTC2	CA	—	—	—	—	—	—	—
Modbus TCP	D, E	OPTCI	CI	■	■	■	■	■	■	■
BACnet	D, E	OPTCJ	CJ	■	■	■	■	■	■	■
EtherNet/IP	D, E	OPTCQ	CQ	■	■	■	■	■	■	■
PROFIBUS DP	D, E	OPTC3	C3	■	■	■	■	■	■	■
LonWorks	D, E	OPTC4	C4	■	■	■	■	■	■	■
PROFIBUS DP (D9 connector)	D, E	OPTC5	C5	■	■	■	■	■	■	■
CANopen (slave)	D, E	OPTC6	C6	■	■	■	■	■	■	■
DeviceNet	D, E	OPTC7	C7	■	■	■	■	■	■	■
Modbus (D9 type connector)	D, E	OPTC8	C8	■	■	■	■	■	■	■
Adapter	D, E	OPTD1	D1	■	■	■	■	■	■	■
Adapter	D, E	OPTD2V	D2	■	■	■	■	■	■	■
RS-232 with D9 connection	D, E	OPTD3	D3	■	■	■	■	■	■	■
Keypad										
9000X Series local/remote keypad (replacement keypad)	—	KEYPAD-LOC/REM	—	—	—	—	—	—	—	■
9000X Series remote mount keypad unit (keypad not included, includes 10 ft cable, keypad holder, mounting hardware)	—	OPTRMT-KIT-9000X	—	—	—	—	—	—	—	—
9000X Series RS-232 cable, 13 ft	—	PP00104	—	—	—	—	—	—	—	—

Notes

- ① AI = Analog Input; AO = Analog Output; DI = Digital Input; DO = Digital Output; RO = Relay Output
- ② Option card must be installed in one of the slots listed for that card. Slot indicated in bold is the preferred location.
- ③ OPTC2 is a multi-protocol option card.

Technical Data and Specifications

SPA/SPN/SPI

Description	Specification
Supply Connection	
Input voltage U_{in} (AC) front end modules	380–500 Vac/525–690 Vac –10% to 10%
Input voltage U_{in} (DC) inverter	465–800 Vdc/640–1100 Vdc –0% to 0%, the waviness of the inverter supply voltage, formed in rectification of the electric network's alternating voltage in basic frequency, must be less than 50 V peak-to-peak
Output voltage U_{out} (AC) inverter	$3 \sim 0 - U_{in}/1.4$
Output voltage U_{out} (DC) active front end module	$10.10 \times 1.35 \times U_{in}$ (factory default)
Output voltage U_{out} (DC) non-regenerative front end module	$1.35 \times U_{in}$
Ambient Conditions	
Ambient operating temperature	14 (no frost) to 122 °F (–10 to 50 °C): I_H 14 (no frost) to 104 °F (–10 to 40 °C): I_L
Storage temperature	–40 to 158 °F (–40 to 70 °C)
Relative humidity	0 to 95% RH, non-condensing, non-corrosive, no dripping water
Air quality	
Chemical vapors	IEC 721-3-3, unit in operation, class 3C2
Mechanical particles	IEC 721-3-3, unit in operation, class 3S2
Altitude	100% load capacity (no derating) up to 1000 m 1% derating for each 100 m above 1000 m; max. 3000 m
Vibration	5–150 Hz
EN50178/EN60068-2-6	Displacement amplitude 0.25 mm (peak) at 3–15.8 Hz Max acceleration amplitude 1G at 15.8–150 Hz
Shock EN50178, EN60068-2-27	UPS Drop Test (for applicable UPS weights) Storage and shipping: max 15 g, 11 ms (in package)
Cooling capacity required	Approximately 2%
Cooling air required	FR4 41 cfm, FR6 250 cfm, FR7 250 cfm, FR8 383 cfm FR9 677 cfm, FR10 824 cfm, FR12 1648 cfm, FR13 2472 cfm
Unit enclosure class	FR4–FR7 NEMA Type 1/IP21; FR8, FR9–FR14 chassis (IP00)
EMC (at fault settings)	
Immunity	Fulfill all EMC immunity requirements
Safety	
Approvals	CE, UL, cUL, EN 61800-5-1 (2003), see unit nameplate for more detailed approvals
Control Connections	
Analog input voltage	0–10 V, $R_i = 200$ kohms, (–10 V to 10 V joystick control) Resolution 0.1%, accuracy $\pm 1\%$
Analog input current	0(4)–20 mA, $R_i = 250$ ohms differential
Digital inputs	6, positive or negative logic; 18–30 Vdc
Auxiliary voltage	+24 V, $\pm 15\%$, max. 250 mA
Output reference voltage	+10 V, +3%, max. load 10 mA
Analog output	0(4)–20 mA; RL max. 500 ohms; resolution 10 bits Accuracy $\pm 2\%$
Digital outputs	Open collector output, 50 mA/48V
Relay outputs	2 programmable change-over relay outputs Switching capacity: 24 Vdc/8 A, 250 Vac/8 A, 125 Vdc/0.4 A Min. switching load: 5 V/10 mA

SPA/SPN/SPI, continued

Description	Specification
Protections	
Overvoltage protection	480 V/911 Vdc, 575 V/1200 Vdc
Undervoltage protection	480 V/333 Vdc, 575 V/460 Vdc
Ground fault protection	In case of ground fault in motor or motor cable, only the inverter is protected
Motor phase supervision	Trips if any of the output phases is missing
Overcurrent protection	Yes
Unit overtemperature protection	Yes
Motor overload protection	Yes
Motor stall protection	Yes
Motor underload protection	Yes
Short-circuit protection of 24 V and 10 V reference voltages	Yes

Input Fuses

SHT fuses can be assembled into same-size DIN fuse base.

SPA/SPN/SPI

Module Component	Frame	Bussmann Fuse Type (aR)	Size	U _N (V)	I _N (A)	Qty.
Inverter Units						
SPI003A1-4	FR4	170M1560	0	690	20	2
SPI007A1-4	FR4	170M1562	0	690	63	2
SPI009A1-4	FR4	170M1562	0	690	63	2
SPI012A1-4	FR6	170M1565	0	690	63	2
SPI016A1-4	FR6	170M1565	0	690	63	2
SPI023A1-4	FR6	170M1565	0	690	63	2
SPI031A1-4	FR6	170M1567	0	690	100	2
SPI038A1-4	FR6	170M1567	0	690	100	2
SPI061A1-4	FR7	170M1570	0	690	200	2
SPI072A1-4	FR7	170M1570	0	690	200	2
SPI087A1-4	FR7	170M1571	0	690	250	2
SPI105A0-4	FR8	170M3819	DIN1	690	400	2
SPI140A0-4	FR8	170M3819	DIN1	690	400	2
SPI170A0-4	FR8	170M3819	DIN1	690	400	2
SPI205A0-4	FI9	170M6812	DIN3	690	800	2
SPI245A0-4	FI9	170M6812	DIN3	690	800	2
SPI300A0-4	FI10	170M8547	3SHT	690	1250	2
SPI385A0-4	FI10	170M8547	3SHT	690	1250	2
SPI460A0-4	FI10	170M8547	3SHT	690	1250	2
SPI520A0-4	FI12	170M8547	3SHT	690	1250	2 x 2
SPI590A0-4	FI12	170M8547	3SHT	690	1250	2 x 2
SPI650A0-4	FI12	170M8547	3SHT	690	1250	2 x 2
SPI730A0-4	FI12	170M8547	3SHT	690	1250	2 x 2
SPI820A0-4	FI12	170M8547	3SHT	690	1250	2 x 2
SPI920A0-4	FI12	170M8547	3SHT	690	1250	2 x 2
SPIH10A0-4	FI13	170M8547	3SHT	690	1250	6
SPIH11A0-4	FI13	170M8547	3SHT	690	1250	6
SPIH13A0-4	FI13	170M8547	3SHT	690	1250	6
SPIH16A0-4	FI14	170M8547	3SHT	690	1250	2 x 6
SPIH19A0-4	FI14	170M8547	3SHT	690	1250	2 x 6
SPIH23A0-4	FI14	170M8547	3SHT	690	1250	2 x 6

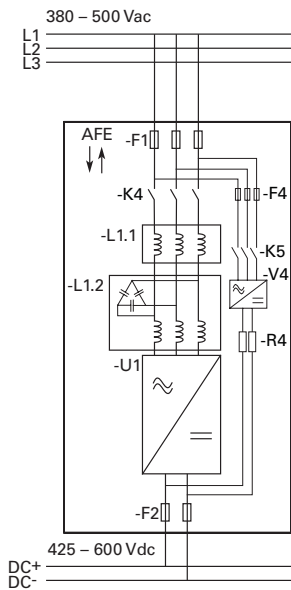
SHT fuses can be assembled into same-size DIN fuse base.

SPA/SPN/SPI, continued

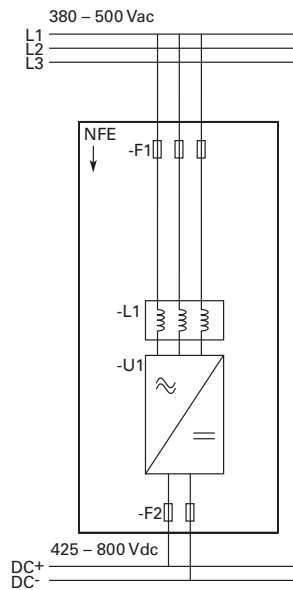
Module Component	Frame	Bussmann Fuse Type (aR)	Size	U_N (V)	I_N (A)	Qty.
Active Front Ends						
SPA205 A0-4	FI9	170 m6202	3SHT	1250	500	3
SPA385 A0-4	FI10	170 m6277	3SHT	1250	1000	3
SPAH10 A0-4	FI13	170 m6277	3SHT	1250	1000	3 x 3
Non-Regenerative Front Ends						
SPN468 A0-4	FI9	170 m8547	3SHT	690	1250	3

Wiring Diagrams

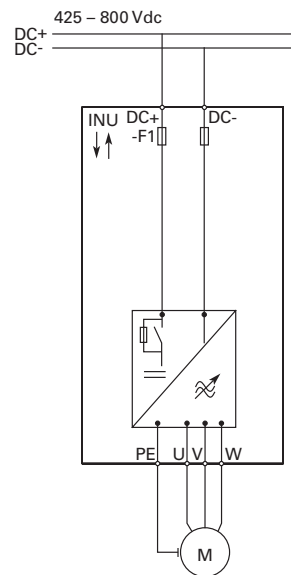
SPA – Active Front End



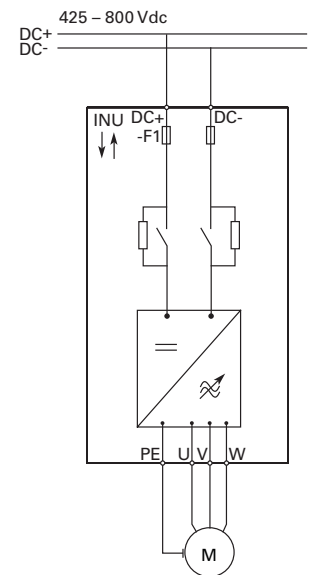
SPN – Non-Regenerative Front End



SPI – Inverter Unit (FR4–FR8)



SPI – Inverter Unit (FI9–FI14)



2.13

Adjustable Frequency Drives

SPA/SPN/SPI Common DC Bus Drives

Dimensions

Approximate Dimensions in Inches (mm)

2

SPA/SPN/SPI

Frame	Height	Width	Depth	Weight Lbs (kg)
Active Front Ends				
FI9	40.6 (1030)	9.4 (239)	14.6 (372)	148 (67)
FI10	40.6 (1032)	9.4 (239)	21.7 (552)	220 (100)
FI12	40.6 (1032)	2 x 9.4 (2 x 239)	21.7 (552)	441 (200)
FI13	40.6 (1032)	27.9 (708)	21.8 (553)	674 (306)
FI14	40.6 (1032)	2 x 27.9 (2 x 708)	21.8 (553)	1348 (612)
Non-Regenerative Front Ends				
FI9	40.6 (1030)	9.4 (239)	14.6 (372)	148 (67)
Inverter Units				
FR4	11.5 (292)	5.0 (128)	7.5 (190)	11 (5)
FR6	20.4 (519)	7.7 (195)	9.3 (237)	35 (16)
FR7	23.3 (591)	9.3 (237)	10.1 (257)	64 (29)
FR8	29.8 (758)	11.4 (289)	13.5 (344)	106 (48)
FI9	40.6 (1030)	9.4 (239)	14.6 (372)	148 (67)
FI10	40.6 (1032)	9.4 (239)	21.7 (552)	220 (100)
FI12	40.6 (1032)	2 x 9.4 (2 x 239)	21.7 (552)	441 (200)
FI13	40.6 (1032)	27.9 (708)	21.8 (553)	674 (306)
FI14	40.6 (1032)	2 x 27.9 (2 x 708)	21.8 (553)	1348 (612)