



Actuating elements



Features

- Easy installation
- Certified for zones 1 and 21
- High IP degree of protection

Description

A large number of variants and versions of actuating elements are available for the ComEx control and indicator units. All actuating elements are made of high-quality thermoplastic and conform to the IP 65/IP 66/IP 67 type of protection.

To complete the actuating elements, there are useful accessories such as e. g. label holders, marking tags, metal shroud or nut wrench.

Actuating elements with NBR sealing for increased resistance to oil are available too.

The actuating elements are mounted quickly and easily onto the ComEx control and indicating devices. Use in Zone 1 and 21 is certified.

Explosion protection

Ex protection type

- Ex II 2G Ex e II
- Ex II 2D Ex td A21 IP 65, IP 66, IP 67
PTB 00 ATEX 3114 U
- Ex e II
- Ex td A21 IP 65, IP 66, IP 67
IECEx PTB 08.0037U

Class I, Div. 2, Groups A, B, C, D
Class I, Zone 1, AEx e IIC, Ex e IIC
UL E184198
INMETRO 2003 EC02 CP088 U
0044

Ambient and operating temp. range

-55 °C to +70 °C (Zone 1)
-20 °C to +70 °C (Zone 21)

permitted for zones

Zone 1
Zone 21 (Min. requis IP 6X,
Temperature range -20 °C)

Technical data

Storage and transport temperature

-55 °C to +70 °C

Type of protection

See table

Impact resistance

7 Nm (Lamp actuators 4 Nm)

Material

Enclosure thermoplastic
Sealings EPDM, NBR for increased
resistance to oil

Weight

See table

Fastening

Installation in enclosures with wall
thickness of 1 mm up to 6 mm (threading
M30 x 1.5). Suitable for through-holes
30.3^{+0.3} mm


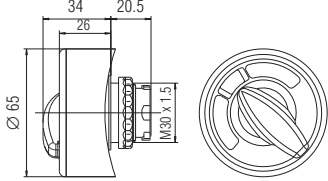
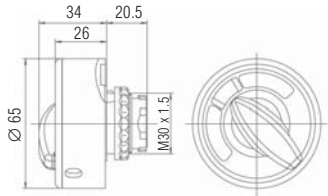

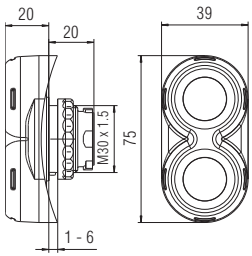
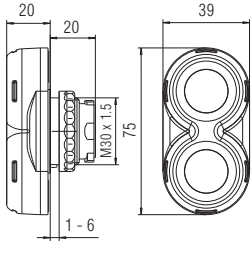

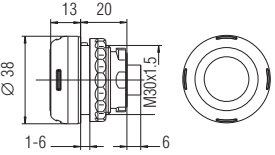
Protection class of the actuating elements

Description	Code	Temperature range -55 °C to +70 °C	Temperature range -20 °C to +70 °C
Position selector switch	05-0003-007...	IP 54	IP 66, IP 67
Double push button actuator	05-0003-0074.. (*BN) 05-0003-0075.. (*BN)	IP 54 IP 54	IP 6X IP 6X
Pushbutton	05-0003-000700 (*BN)	IP 54	IP 66, IP 67
Mushroom pushbutton	05-0003-001800 (*BN)	IP 54	IP 66, IP 67
Emergency Stop	05-0003-000800 (*BN)	IP 54	IP 66, IP 67
Locking mushroom pushbutton	05-0003-001203 (*BN)	IP 54	IP 66, IP 67
Lock (DOM)	05-0003-0012.. (*BN)	IP 54	IP 66, IP 67
Lock (RONIS)	05-0003-006100 (*BN)	IP 54	IP 66, IP 67
Position selector switch BS (2 positions)	05-0003-00090. BS	IP 54	IP 66, IP 67
Position selector switch BS (3 positions)	05-0003-001... BS	IP 54	IP 66, IP 67
Key switch (2 positions)	05-0003-007.... (*BN)	IP 54	IP 65
Key switch (3 positions)	05-0003-0079.. (*BN) 05-0003-0080.. (*BN)	IP 54 IP 54	IP 65 IP 65
Position selector switch (2 positions)	05-0003-0009... (*BN)	IP 54	IP 66, IP 67
Position selector switch (3 positions)	05-0003-001.... (*BN)	IP 54	IP 66, IP 67
Lamp	05-0003-001.... (*BN)	IP 54	IP 66, IP 67
Illuminated button actuator	05-0003-006.... (*BN)	IP 54	IP 66, IP 67
Potentiometer actuator	05-0003-007600 (*BN)	IP 54	IP 66, IP 67
Blanking plug	05-0003-001900 (*BN)	IP 54	IP 66, IP 67

*BN for increased resistance to oil (with NBR seal)



Selection chart

Illustration	Dimensions	Description	Order no.
	<p>for ComEx enclosure</p>  <p>for Control unit/ComEx 316L</p> 	<p>Position selector switch black with protective collar, lockable* only for switch module (2-pole)</p> <p>0 - I for control unit (flat) for ComEx enclosure</p> <p>I - II for control unit (flat) for ComEx enclosure</p> <p>I - 0 - II for control unit for ComEx enclosure</p> <p>HAND - 0 - AUTO for control unit (flat) for ComEx enclosure</p> <p>MAN - 0 - AUTO for control unit (flat) for ComEx enclosure</p> <p>Weight 74 g</p> <p>* 3 boreholes in the protective collar to fit padlocks in the switch position 0 (I), or to customer specifications.</p>	<p>05-0003-007001 05-0003-007101</p> <p>05-0003-007002 05-0003-007102</p> <p>05-0003-007203 05-0003-007303</p> <p>05-0003-007224 05-0003-007324</p> <p>05-0003-007225 05-0003-007325</p>
	<p>for ComEx enclosure</p>  <p>for Control unit/ComEx 316L</p> 	<p>Double pushbutton actuator with EPDM rubber membrane or with NBR sealing, 5 labels red, green, yellow, white, black, supplied loose</p> <p>for ComEx enclosures with EPDM sealing for ComEx enclosures with NBR sealing</p> <p>for control units with EPDM sealing for control units with NBR sealing</p> <p>Weight 52 g</p>	<p>05-0003-007500 05-0003-007500BN</p> <p>05-0003-007400 05-0003-007400BN</p>
		<p>Pushbutton with EPDM rubber membrane or with NBR sealing, 5 labels red, green, yellow, white, black, supplied loose</p> <p>with EPDM sealing with NBR sealing</p> <p>Weight 24 g</p>	<p>05-0003-007000 05-0003-007000BN</p>

03-0330-0191/A-03/10-BCS-200865/2

1
2
3
4
5
6
7




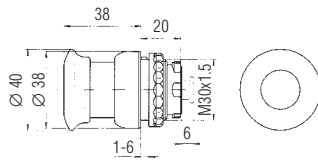

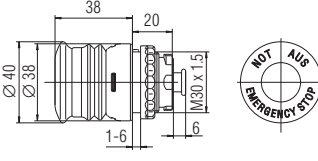

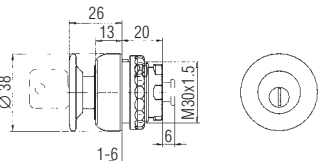

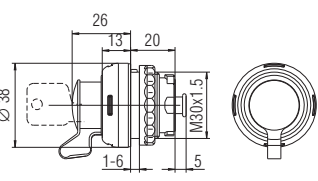
Illustration	Dimensions	Description	Order no.
		<p>Mushroom pushbutton with EPDM rubber membrane or with NBR sealing, black</p> <p>with EPDM sealing with NBR sealing</p> <p>Weight 24 g</p>	<p>05-0003-001800 05-0003-001800BN</p>
		<p>EMERGENCY STOP slam button with EPDM rubber membrane or with NBR sealing, pushbutton marked "NOT-AUS EMERGENCY STOP - Pull to Release"</p> <p>DIN EN 60204-1: 2007 DIN EN 60947-5-1: 2005 (VDE 0660 Part 200)</p> <p>with EPDM sealing with NBR sealing</p> <p>Weight 46 g</p>	<p>05-0003-000800 05-0003-000800BN</p>
		<p>Locking mushroom pushbutton, push in without key, unlock with key, DOM lock 4 A 185</p> <p>with EPDM sealing with NBR sealing</p> <p>Weight 70 g</p>	<p>05-0003-001203 05-0003-001203BN</p>
		<p>Lock DOM lock 4 A 185</p> <p>Lockable in both positions, Key retractable in both positions</p> <p>with EPDM sealing with NBR sealing</p> <p>Lockable in the depressed position, Key retractable in the depressed position</p> <p>with EPDM sealing with NBR sealing</p> <p>Tip lock lockable in the initial positions, Key retractable in the initial positions</p> <p>with EPDM sealing with NBR sealing</p> <p>Weight 69 g</p>	<p>05-0003-001200 05-0003-001200BN</p> <p>05-0003-001201 05-0003-001201BN</p> <p>05-0003-001202 05-0003-001202BN</p>




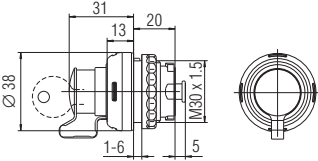

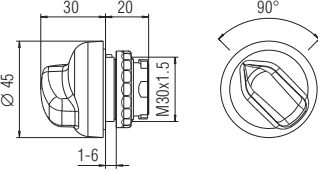
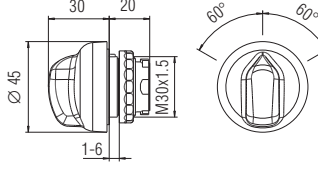

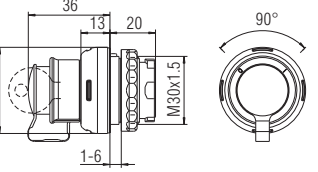
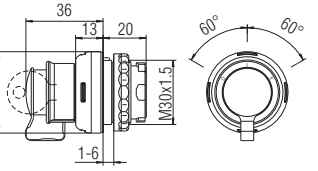

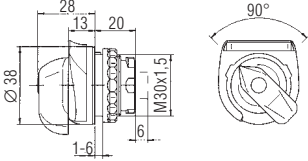
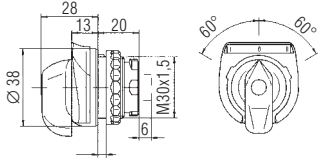

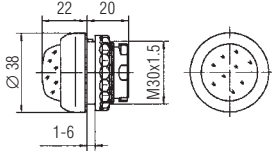

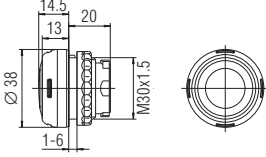

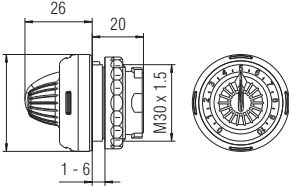

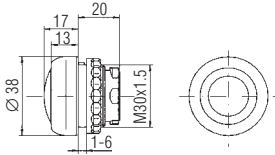
Illustration	Dimensions	Description	Order no.
		<p>Lock RONIS lock 455</p> <p>Lockable in both positions, Key retractable in both positions</p> <p>with EPDM sealing with NBR sealing</p> <p>Weight 75 g</p>	<p>05-0003-006100 05-0003-006100BN</p>
	<p>2 switching positions</p>  <p>3 switching positions</p> 	<p>Position selector switch BS, black, with 2 or 3 switching positions, turned 90° for ComEx enclosures</p> <p>0 - I for control units for ComEx enclosures</p> <p>05-0003-000900BS 05-0003-000901BS</p> <p>I - 0 - II (I + II latching) for control units for ComEx enclosures</p> <p>05-0003-001000BS 05-0003-001100BS</p> <p>I - 0 - II (I + II momentary contact) for control units for ComEx enclosures</p> <p>05-0003-001001BS 05-0003-001101BS</p> <p>I - 0 - II (I latching, II momentary) for control units for ComEx enclosures</p> <p>05-0003-001002BS 05-0003-001102BS</p> <p>I - 0 - II (I momentary, II latching) for control units for ComEx enclosures</p> <p>05-0003-001003BS 05-0003-001103BS</p> <p>Weight 33 g</p>	<p>05-0003-000900BS 05-0003-000901BS</p> <p>05-0003-001000BS 05-0003-001100BS</p> <p>05-0003-001001BS 05-0003-001101BS</p> <p>05-0003-001002BS 05-0003-001102BS</p> <p>05-0003-001003BS 05-0003-001103BS</p>
	<p>2 switching positions</p>  <p>3 switching positions</p> 	<p>Key-operated switch, RONIS lock 456, with 2 or 3 switching positions, turned 90° for ComEx enclosures</p> <p>0 - I for control units latching, key retractable for ComEx enclosures</p> <p>05-0003-007700 05-0003-007800</p> <p>0 - I for control units momentary contact, Position I key not retractable for ComEx enclosures</p> <p>05-0003-007701 05-0003-007801</p> <p>I - 0 - II for control units (I + II latching), key retractable for ComEx enclosures</p> <p>05-0003-007900 05-0003-008000</p> <p>Weight 49 g</p>	<p>05-0003-007700 05-0003-007800</p> <p>05-0003-007701 05-0003-007801</p> <p>05-0003-007900 05-0003-008000</p>



Illustration	Dimensions	Description	➔ Order no.
	<p>2 switching positions</p>  <p>3 switching positions</p> 	<p>Position selector switch, black, with 2 or 3 switching positions</p> <p>0 - I for control units with EPDM sealing with NBR sealing</p> <p>turned 90° for ComEx enclosures with EPDM sealing with NBR sealing</p> <p>I - 0 - II (I + II latching) for control units with EPDM sealing with NBR sealing</p> <p>turned 90° for ComEx enclosures with EPDM sealing with NBR sealing</p> <p>I - 0 - II (I + II momentary) for control units with EPDM sealing with NBR sealing</p> <p>turned 90° for ComEx enclosures with EPDM sealing with NBR sealing</p> <p>I - 0 - II (I latching, II momentary contact) for control units with EPDM sealing with NBR sealing</p> <p>turned 90° for ComEx enclosures with EPDM sealing with NBR sealing</p> <p>I - 0 - II (I momentary contact, II latching) for control units with EPDM sealing with NBR sealing</p> <p>turned 90° for ComEx enclosures with EPDM sealing with NBR sealing</p> <p>Weight 33 g</p>	<p>05-0003-000900 05-0003-000900BN</p> <p>05-0003-000901 05-0003-000901BN</p> <p>05-0003-001000 05-0003-001000BN</p> <p>05-0003-001100 05-0003-001100BN</p> <p>05-0003-001001 05-0003-001001BN</p> <p>05-0003-001101 05-0003-001101BN</p> <p>05-0003-001002 05-0003-001002BN</p> <p>05-0003-001102 05-0003-001102BN</p> <p>05-0003-001003 05-0003-001003BN</p> <p>05-0003-001103 05-0003-001103BN</p>
		<p>Lamp module actuator</p> <p>red with EPDM sealing with NBR sealing</p> <p>green with EPDM sealing with NBR sealing</p> <p>yellow with EPDM sealing with NBR sealing</p> <p>white with EPDM sealing with NBR sealing</p> <p>blue with EPDM sealing with NBR sealing</p> <p>Weight 19 g</p>	<p>05-0003-001300 05-0003-001300BN</p> <p>05-0003-001400 05-0003-001400BN</p> <p>05-0003-001500 05-0003-001500BN</p> <p>05-0003-001600 05-0003-001600BN</p> <p>05-0003-001700 05-0003-001700BN</p>

03-0330-0191/A-03/10-BCS-200865/5



Illustration	Dimensions	Description	Order no.
		<p>Illuminated button actuator</p> <p>red with EPDM sealing red with NBR sealing</p> <p>green with EPDM sealing green with NBR sealing</p> <p>yellow with EPDM sealing yellow with NBR sealing</p> <p>white with EPDM sealing white with NBR sealing</p> <p>blue with EPDM sealing blue with NBR sealing</p> <p>Weight 19 g</p>	<p>➔ 05-0003-006500 05-0003-006500BN</p> <p>05-0003-006600 05-0003-006600BN</p> <p>05-0003-006700 05-0003-006700BN</p> <p>05-0003-006800 05-0003-006800BN</p> <p>05-0003-006900 05-0003-006900BN</p>
		<p>Potentiometer actuator, black, durable and abrasion-resistant, Scale gradation from 0 to 10</p> <p>with EPDM sealing with NBR sealing</p> <p>Weight 28 g</p>	<p>05-0003-007600 05-0003-007600BN</p>
		<p>Blanking plug, to cover unused holes in the cover</p> <p>with EPDM sealing with NBR sealing</p> <p>Weight 20 g</p>	<p>05-0003-001900 05-0003-001900BN</p>

