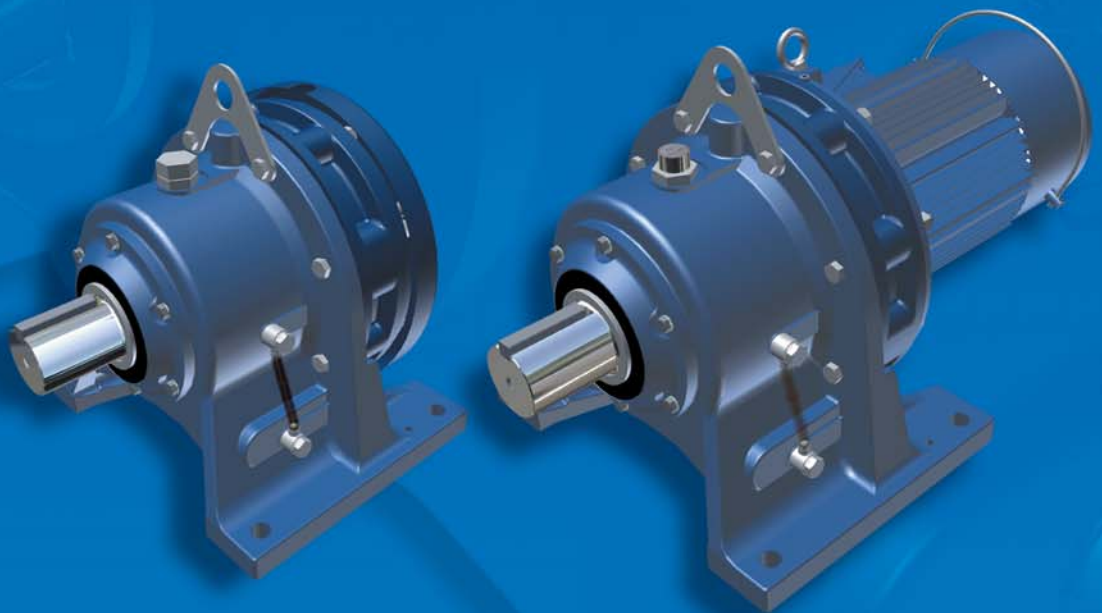


Sumitomo Drive Technologies  
*Always on the Move*

# Cyclo® 6000

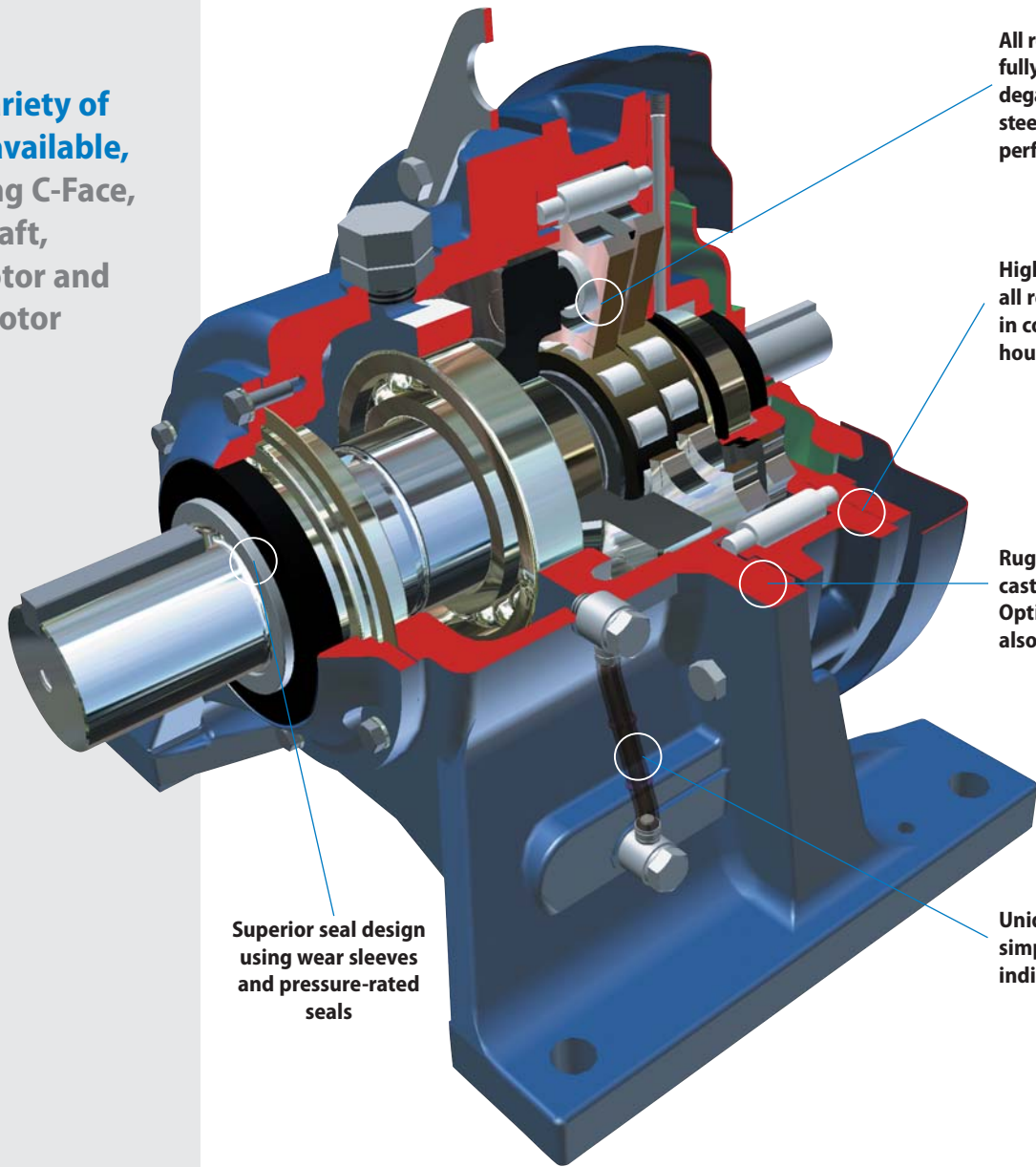


► Highly Reliable, Torque Dense Cycloidal Speed Reducers and Gearmotors

# Cyclo® 6000

Highly Reliable, Torque Dense, Cycloidal Speed Reducers and Gearmotors

- ▶ **Wide variety of inputs available, including C-Face, Free-Shaft, Gearmotor and Brakemotor**



All rotating components are fully hardened, vacuum degassed bearing grade steel, for consistent, reliable performance

High power density, all reduction contained in compact ring gear housing

Rugged, shock-resistant cast iron housing. Optional ductile iron also available

Superior seal design using wear sleeves and pressure-rated seals

Unique oil sight gauge for simple, visible lubrication indication



## Unmatched Reliability, Exceptional Performance

- ▶ Cyclo® speed reducers and gearmotors are **designed to withstand shock loads exceeding 500%** of their ratings



## Product Description

Sumitomo Cyclo® speed reducers and gearmotors are the **premier in-line drives**. The revolutionary Cyclo® design provides **quiet, efficient and reliable performance** exceeding that of involute tooth gear designs. The key to Cyclo®'s matchless performance and reliability is that 67% of the reduction components are in contact at all times, compared to geared designs that use only limited tooth contact. Unlike geared designs, the Cyclo®'s reduction components operate in compression rather than shear, which results in **exceptionally rugged and shock resistant performance**. The Cyclo® technology coupled with innovative product options and accessories offer the most extensive range of application solutions available.

## Features & Benefits

- **Cycloidal speed reduction technology**
  - ~ Quiet, efficient and reliable operation with high torque density and compact size
- **Modular design**
  - ~ Interchangeable cast iron housings in foot, flanged or face mount configurations
- **Universal mounting arrangements**
  - ~ Available free-shaft, quill hollow shaft, C-face, shovel base, and top-mount inputs
- **Internal components manufactured from hardened, vacuum-degassed, bearing grade steel**
  - ~ Minimal vibration, low noise, low backlash and extended operational life
- **The best product warranty**
  - ~ The 24 month warranty backs up the superb Cyclo® product reputation

## Specifications

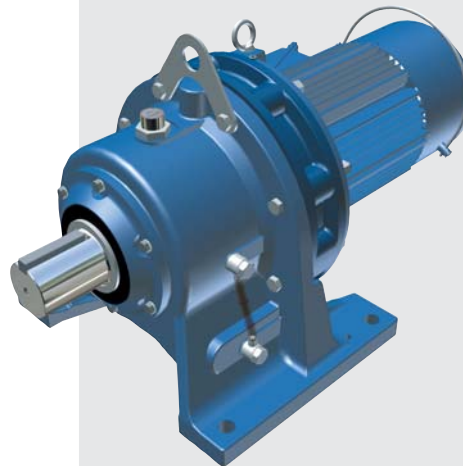
<b>Sizes:</b>	23 sizes (5lbs to 5000lbs)
<b>Torque Rating:</b>	55 to 603,000 lb in
<b>HP Rating:</b>	.10 to 235 HP
<b>Ratio Range:</b>	3:1 to 119:1 (single) 104:1 to 7569:1 (double) 8041:1 to 658,503:1 (triple)
<b>Mounting:</b>	Foot, Flange, Face Mount
<b>Motor Standards:</b>	NEMA, IEC, JIS, UL, CSA, CE

- **Sumitomo's Cyclo® is a highly reliable, torque dense, cycloidal speed reducer and gearmotor**



### Reducer

- Simple, Compact Design
- Rugged Forged Output Shaft
- Universal Mounting
- C-Face, Shovel Base & Top Mount Options



### Gearmotor

- Rugged forged output shaft
- Direct acting brake option
- Unmatched durability



## ► Applications

- Conveyors
- Food Machinery
- Mixers
- Automotive Plants
- Recycling Machines
- Poultry Plants
- Sawmills and Wood Mills
- Wastewater Treatment
- Steel Mills
- Construction Equipment
- Paper Mills
- Processing Plants

# Cyclo® 6000

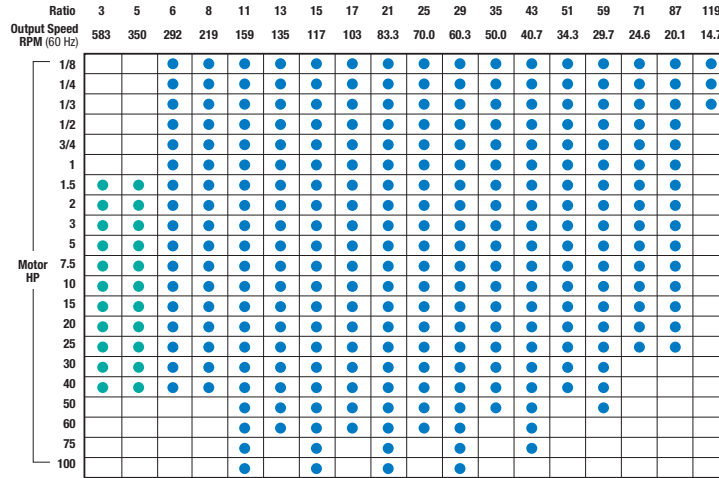
Highly Reliable, Torque Dense, Cycloidal Speed Reducers and Gearmotors

► **Product Range**  
Standard Motor  
and Reducer  
Combinations



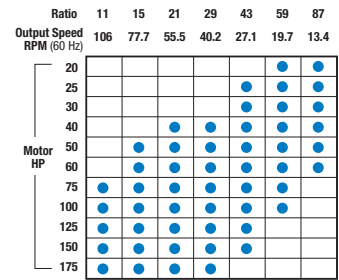
## Single Reduction Ratios 3 – 119

Combinations with 1750 RPM input speed



## Ratios 11 – 87

Combinations with 1165 RPM input speed



## Double Reduction Ratios 104 – 7569

Combinations with 1750 RPM input speed

