



Local control stations for Zone 2 and Zone 22

Features

- The right size/material enclosure
- Optimum functionality thanks to the great variety of components
- Customised planning and implementation
- Certified to many standards

Description

For explosion-proof local controllers BARTEC offers an extensive range of polyester enclosures with screw fixing lid and hinged doors.

The enclosures must be produced in compliance with the requirements for the "Increased Safety" type of protection or "Protection by Enclosure".

Depending on the specification and number of equipment, various enclosure types and sizes are available. The control stations will be equipped according to your individual requirements with control units, alarm units, display units and bus interface modules.

Industrial serial products can also be fitted in the controllers for Zone 22 with the tD "Protection by Enclosure" type of protection.

The components are mounted either on DIN rails or installed on the front lid. Depending on the design and requirements, BARTEC not only supplies control units but also offers the complete wiring to terminal blocks.

The supply range includes enclosures made of aluminium, polyester and stainless steel. These are fitted with certified modules and glands at points of penetration in the wall of the enclosure.

Fields of application

Chemical and petrochemical industry, process and plant engineering, pharmaceutical and food industry, OFF SHORE areas.

Thanks to their great variety, the enclosure are particularly suited for local control stations and bus interface units.



Explosion protection

Ex protection type

(depending on the components installed)

for Zone 2

- Ex II 3G Ex nA nC nL [nL]
IIA, IIB, IIC T6, T5 or T4
- Ex II 3(1)G Ex nA nC nL [ia]
IIA, IIB, IIC T6, T5 or T4
- Ex II 3(2)G Ex nA nC nL [ib]
IIA, IIB, IIC T6, T5 or T4

for Zone 22

- Ex II 3D Ex tD A22 IP 6X
T 80 °C to 100 °C
- Ex II 3(1)D Ex tD [iaD] A22 IP 6X
T 80 °C to 100 °C
- Ex II 3(2)D Ex tD [ibD] A22 IP 6X
T 80 °C to 100 °C

Ambient temperature

(special design on request)

- 20 °C to +40 °C
- 55 °C to +70 °C

Technical data

Material

Type 07-3101 with lid

aluminium
ALSi 12, pressure or chill casting
RAL 7001 silver grey

Type 07-3103 with lid

glass-fibre reinforced polyester
RAL 9005, deep black

Type 07-3109 mit door

glass-fibre reinforced polyester
RAL 9011, graphite black

Type 07-3113 with door

High-quality stainless steel 304

Type 07-3132 with lid

High-quality stainless steel 316L
Enclosure with lid

Type 07-3136 with door

High-quality stainless steel 316L

Seals

EPDM (Standard)

-20 °C to +85 °C

PU (Standard at 07-3109)

-20 °C to +80 °C

Silicone

-55 °C to +100 °C

Mechanical strength

(acc. to DIN EN 60079-0: 2006)
Impact energy 7 Nm

Protection class

(higher degree of protection on request)
EN 60529/IEC 60529
max. IP 66

Electrical data

Rated voltage

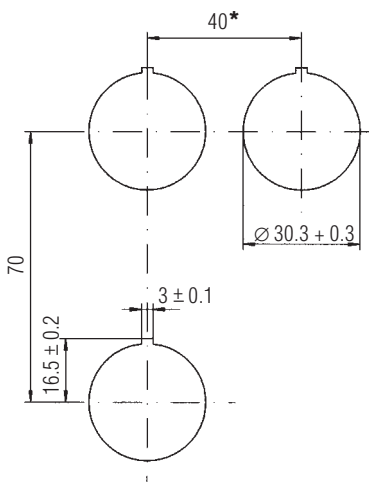
up to 1000 V

Rated current

max. 160 A depending on devices fitted
max. 125 A (for Zone 22)

Mounting dimensions

for switching and light elements according to EN 60947-5-1



* Recommended distance for mushroom pushbutton, emergency switch as well as position selector with protective shroud: 100 mm (3.94 in).

Configuration data for control stations

Type of enclosure

A7-31 -

Dimensions

Width _____ Height _____ Depth _____

Nominal voltage

AC _____ V / DC _____ V

Threaded glands
